



US00D769797S

(12) **United States Design Patent**
Fujioka

(10) **Patent No.:** **US D769,797 S**

(45) **Date of Patent:** **** Oct. 25, 2016**

(54) **TIRE**

(71) Applicant: **Toyo Tire & Rubber Co., Ltd.**, Osaka (JP)

(72) Inventor: **Tsuyoshi Fujioka**, Osaka (JP)

(73) Assignee: **Toyo Tire & Rubber Co., Ltd.**, Osaka (JP)

(**) Term: **14 Years**

(21) Appl. No.: **29/506,961**

(22) Filed: **Oct. 22, 2014**

(30) **Foreign Application Priority Data**

Apr. 21, 2014 (JP) 2014-008705

(51) **LOC (10) Cl.** **12-15**

(52) **U.S. Cl.**
USPC **D12/583**

(58) **Field of Classification Search**
USPC D12/568-603
CPC B60C 5/00; B60C 11/04; B60C 11/11;
B60C 11/13; B60C 11/12; B60C 2011/1213;
B60C 11/03
See application file for complete search history.

(56) **References Cited**

U.S. PATENT DOCUMENTS

- 4,884,606 A * 12/1989 Matsuda B60C 11/12
152/209.18
- 7,954,527 B2 * 6/2011 Ohara B60C 11/0306
152/209.17
- D657,734 S * 4/2012 Buchinger-Barnstorf ... D12/600
- D662,034 S * 6/2012 Vandaele D12/583

- 8,413,695 B2 * 4/2013 Shibano B60C 11/12
152/209.17
- D728,458 S * 5/2015 Otani D12/583
- D744,414 S * 12/2015 Hutz D12/583

FOREIGN PATENT DOCUMENTS

- JP 903996 S 7/1994
- JP D1240095 S 5/2005
- JP D1374517 S 11/2009

* cited by examiner

Primary Examiner — George D Kirschbaum

Assistant Examiner — Jennifer Watkins

(74) *Attorney, Agent, or Firm* — Sterne, Kessler, Goldstein & Fox P.L.L.C.

(57) **CLAIM**

The ornamental design for a tire, as shown and described.

DESCRIPTION

FIG. 1 is a perspective view of a tire showing the claimed design;

FIG. 2 is a front view thereof;

FIG. 3 is a rear view thereof;

FIG. 4 is a top plan view thereof;

FIG. 5 is a bottom plan view thereof;

FIG. 6 is a right side view thereof;

FIG. 7 is a left side view thereof;

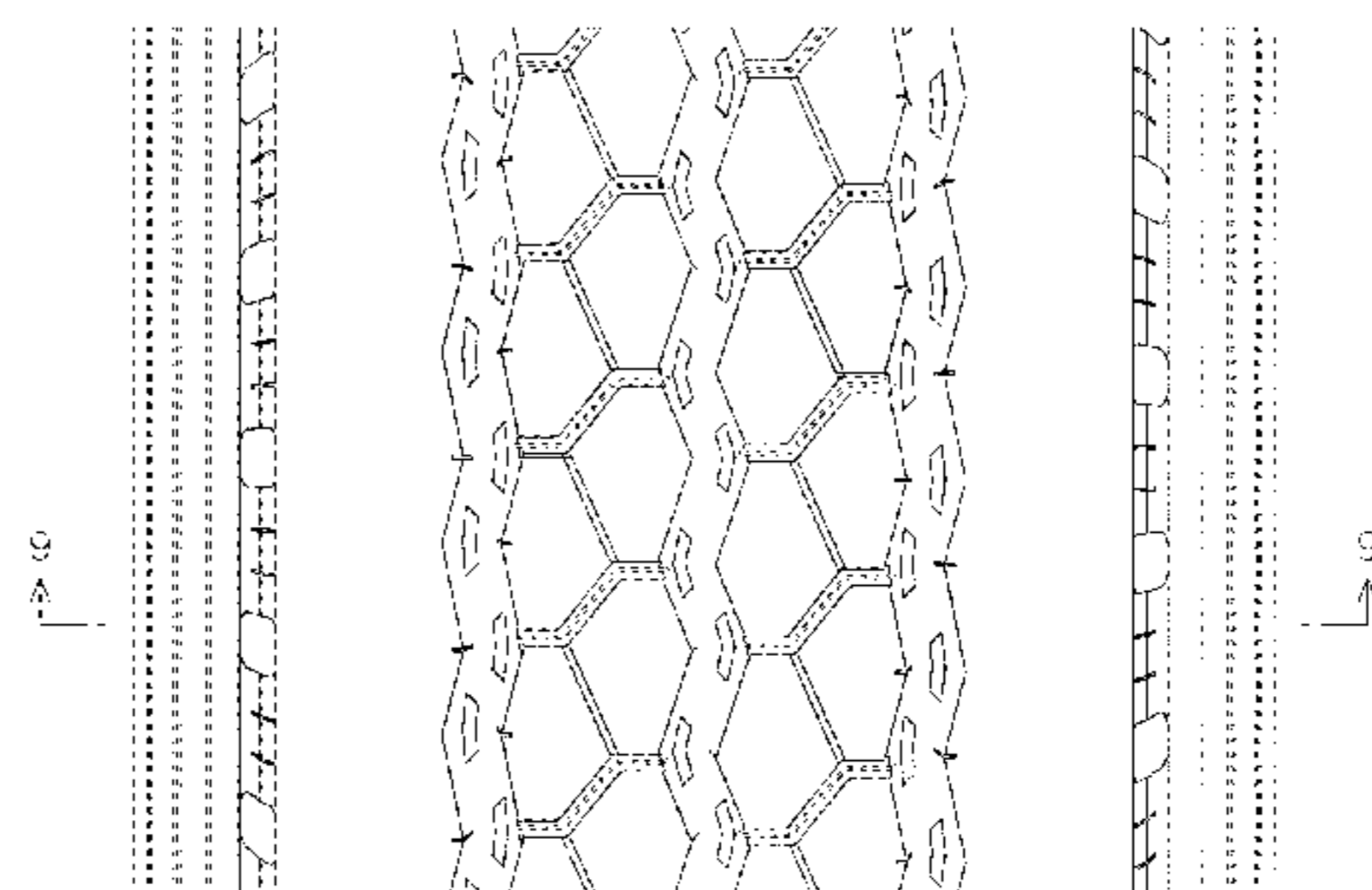
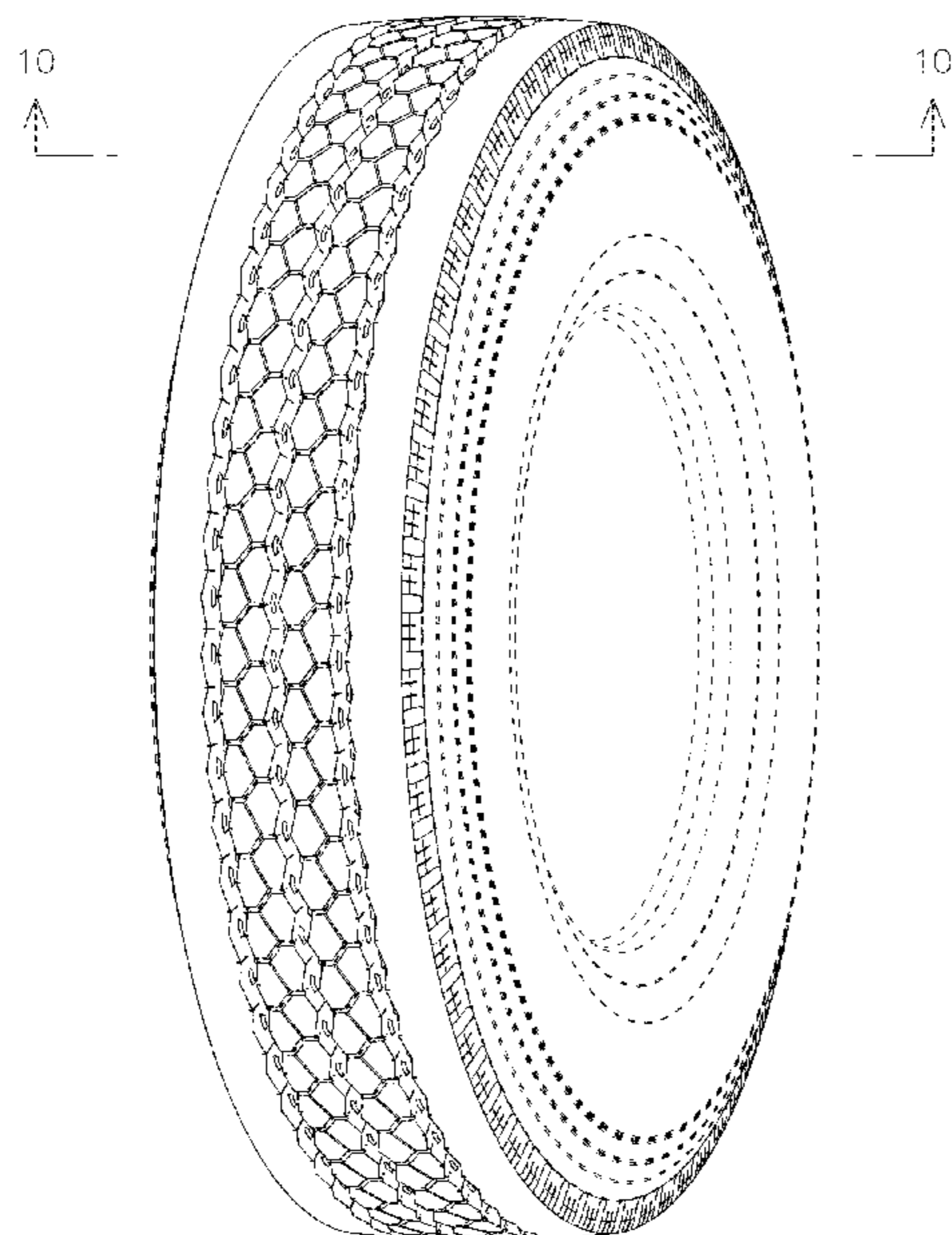
FIG. 8 is an enlarged view of the portion 8-8 in FIG. 2;

FIG. 9 is a cross-sectional view taken along line 9-9 in FIG. 8; and,

FIG. 10 is an enlarged view taken along line 10-10 in FIG. 1.

In the drawings, the broken lines showing portions of the tire tread, sidewall, and inner bead depict portions of the tire that form no part of the claimed design.

1 Claim, 10 Drawing Sheets



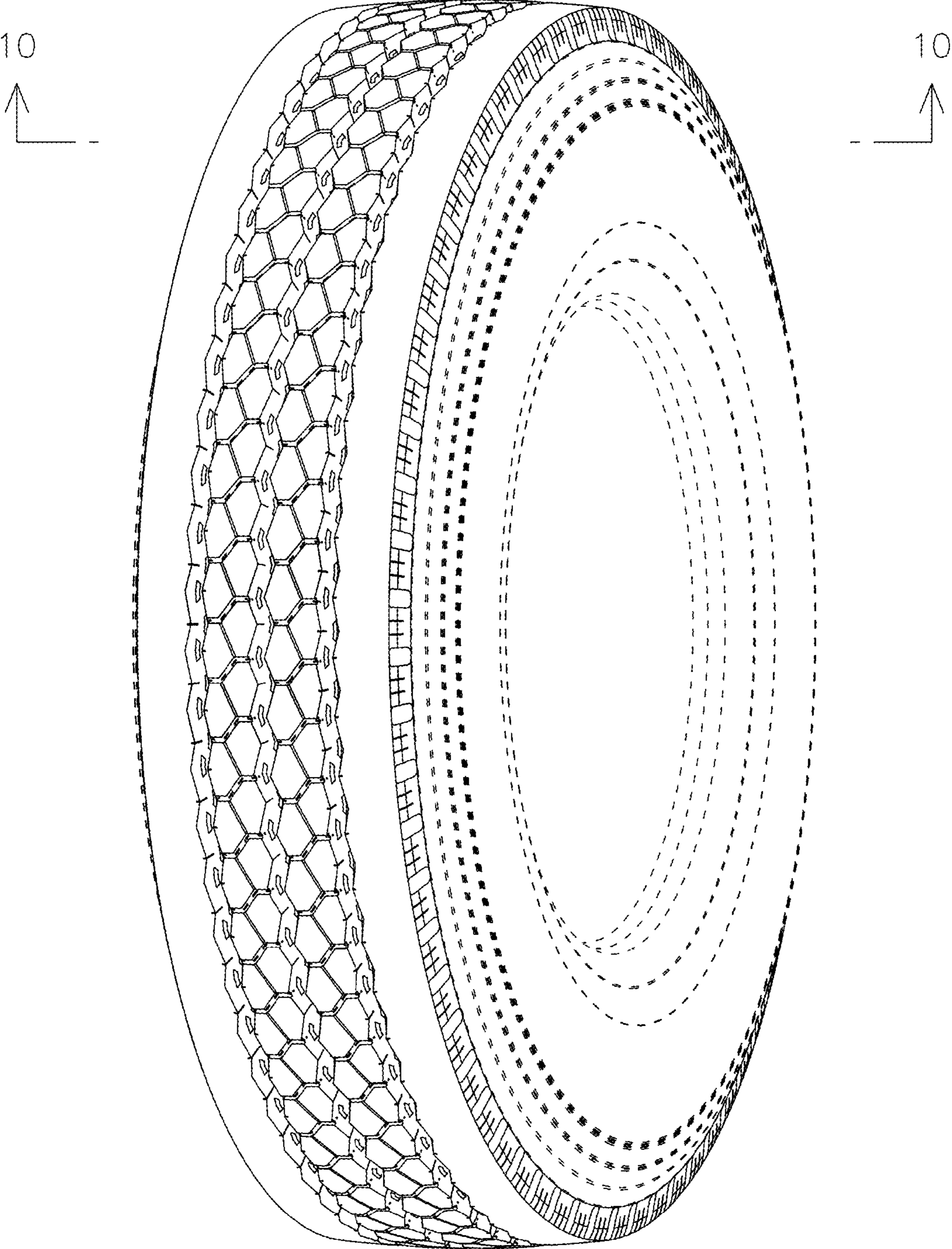


FIG. 1

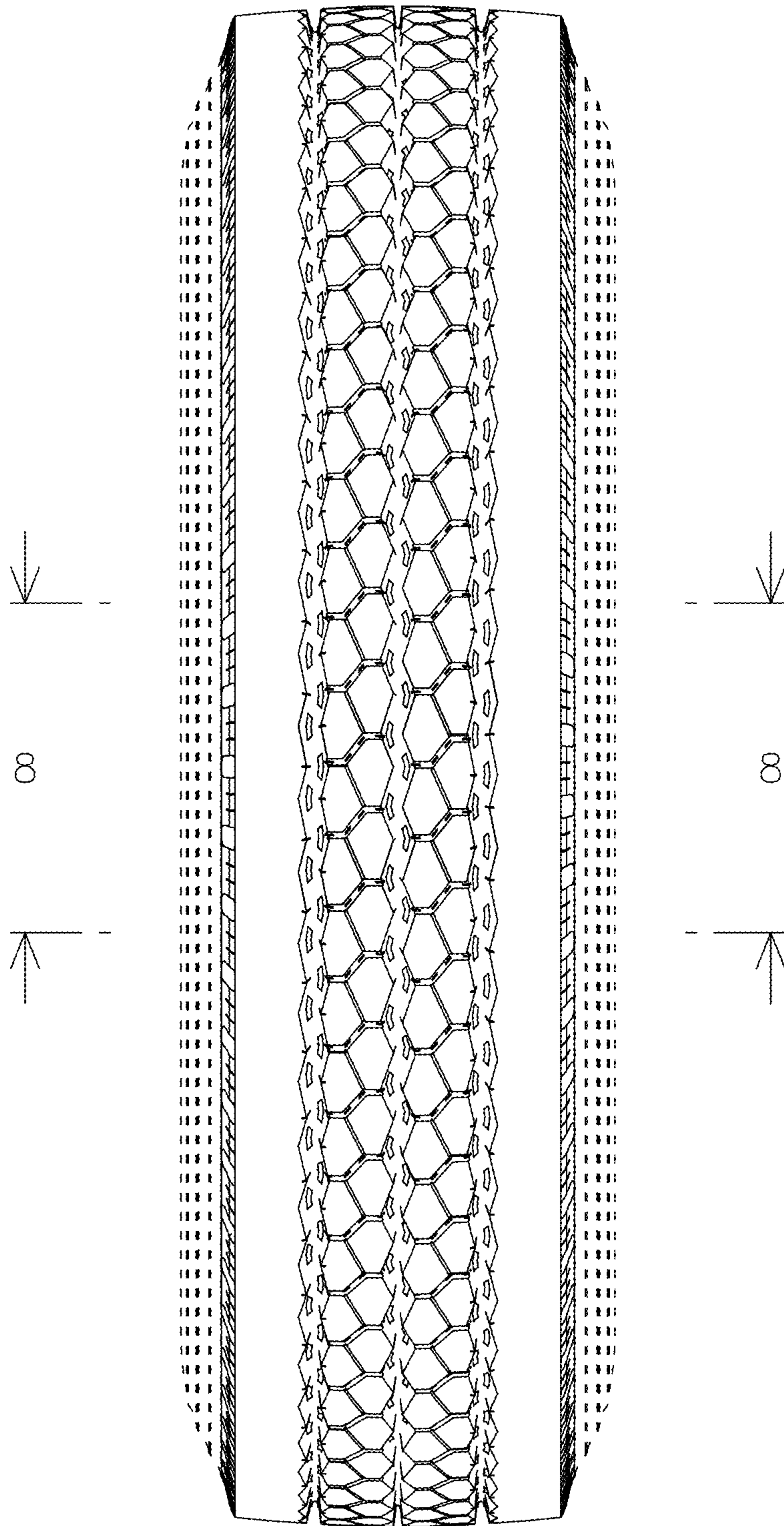


FIG. 2

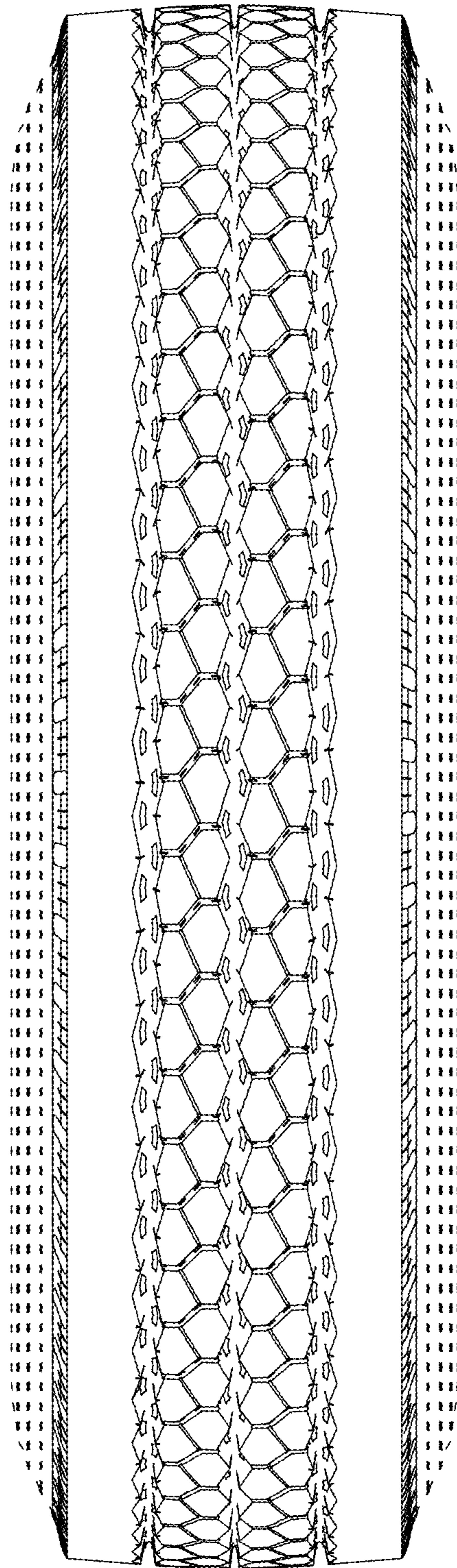


FIG. 3

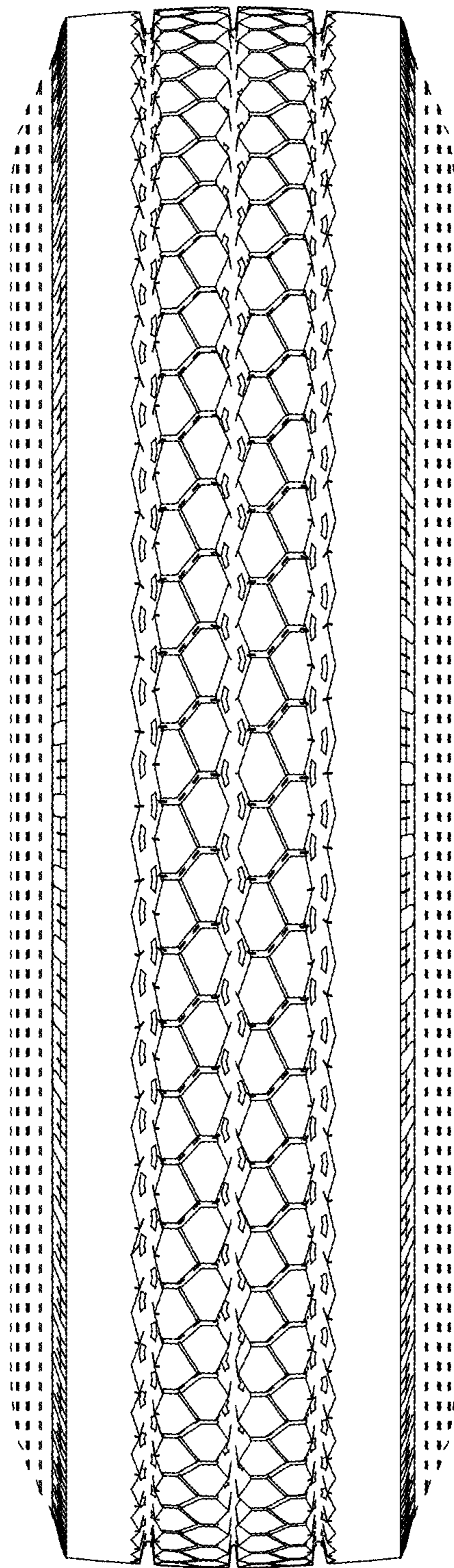


FIG. 4

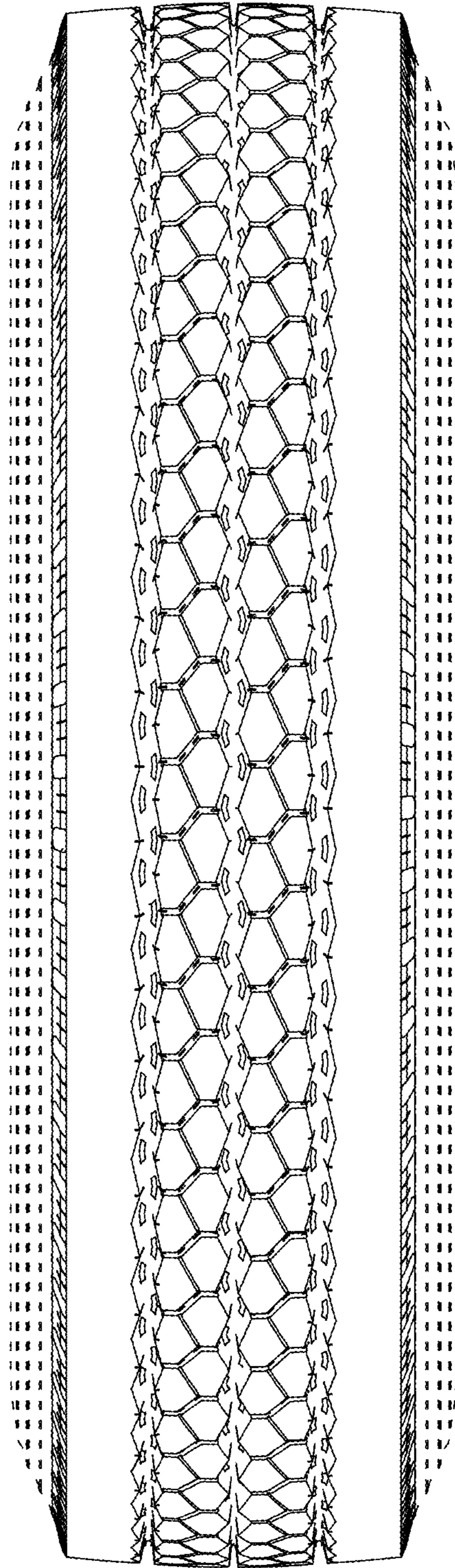


FIG. 5

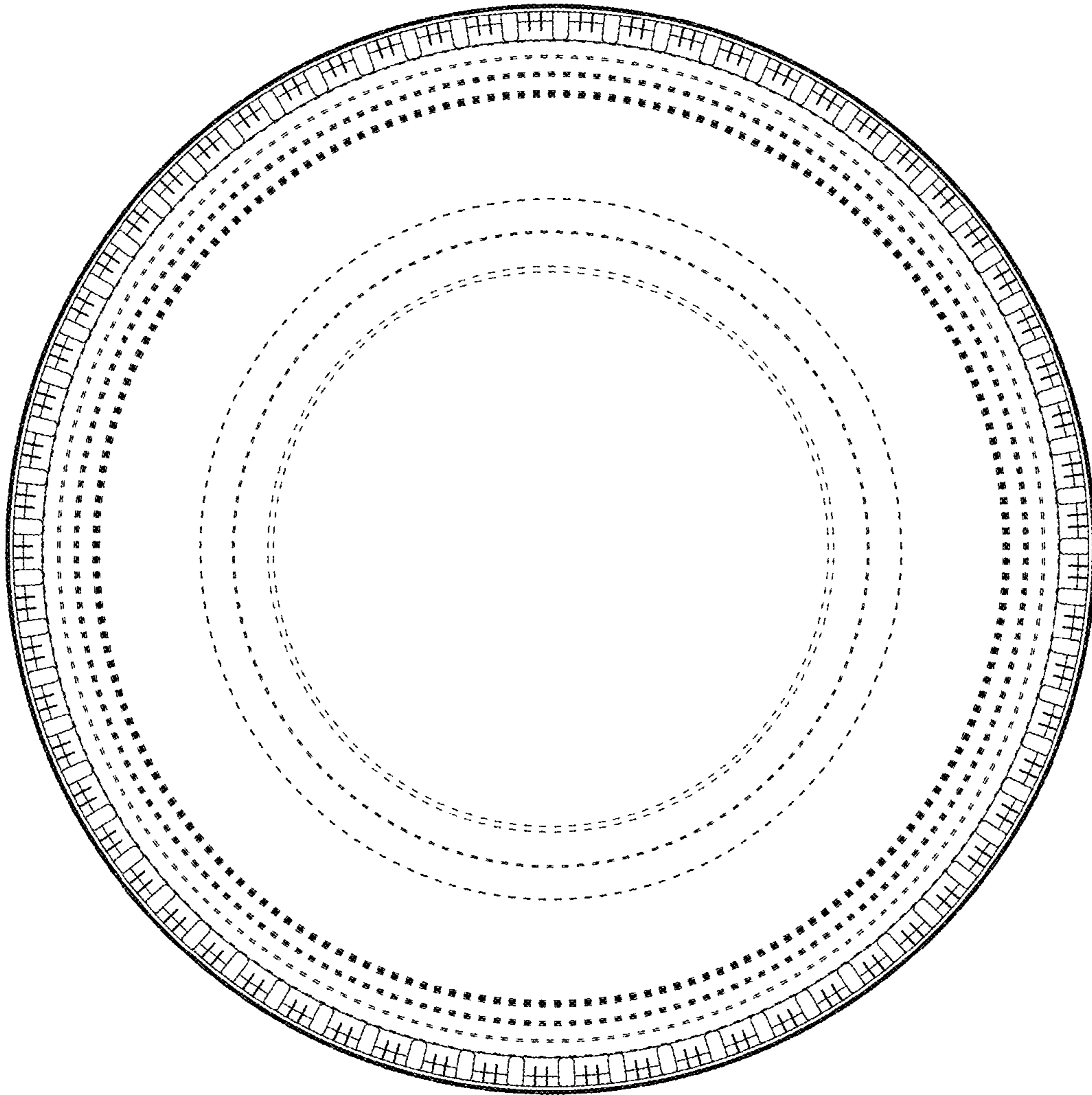


FIG. 6

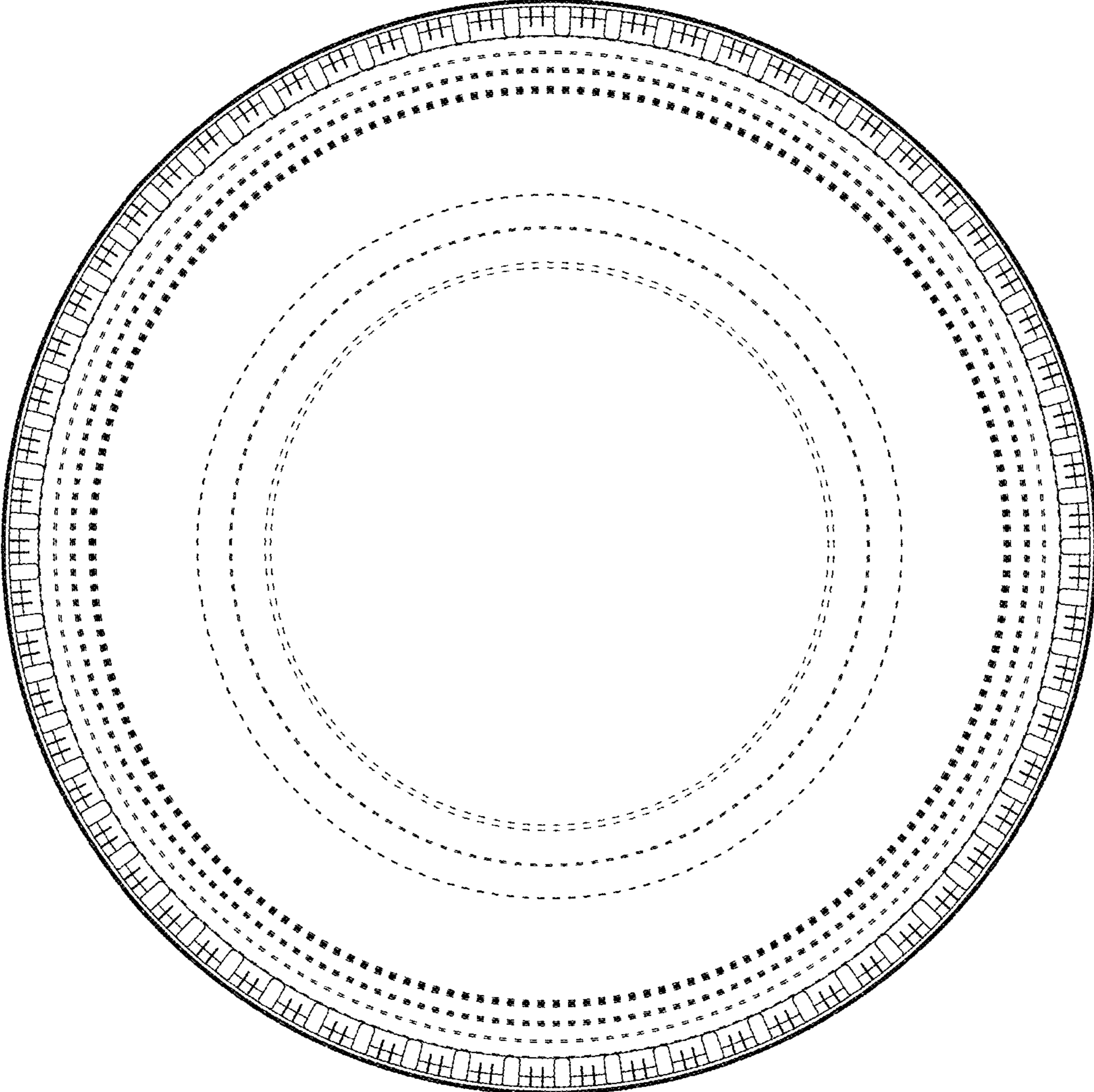


FIG. 7

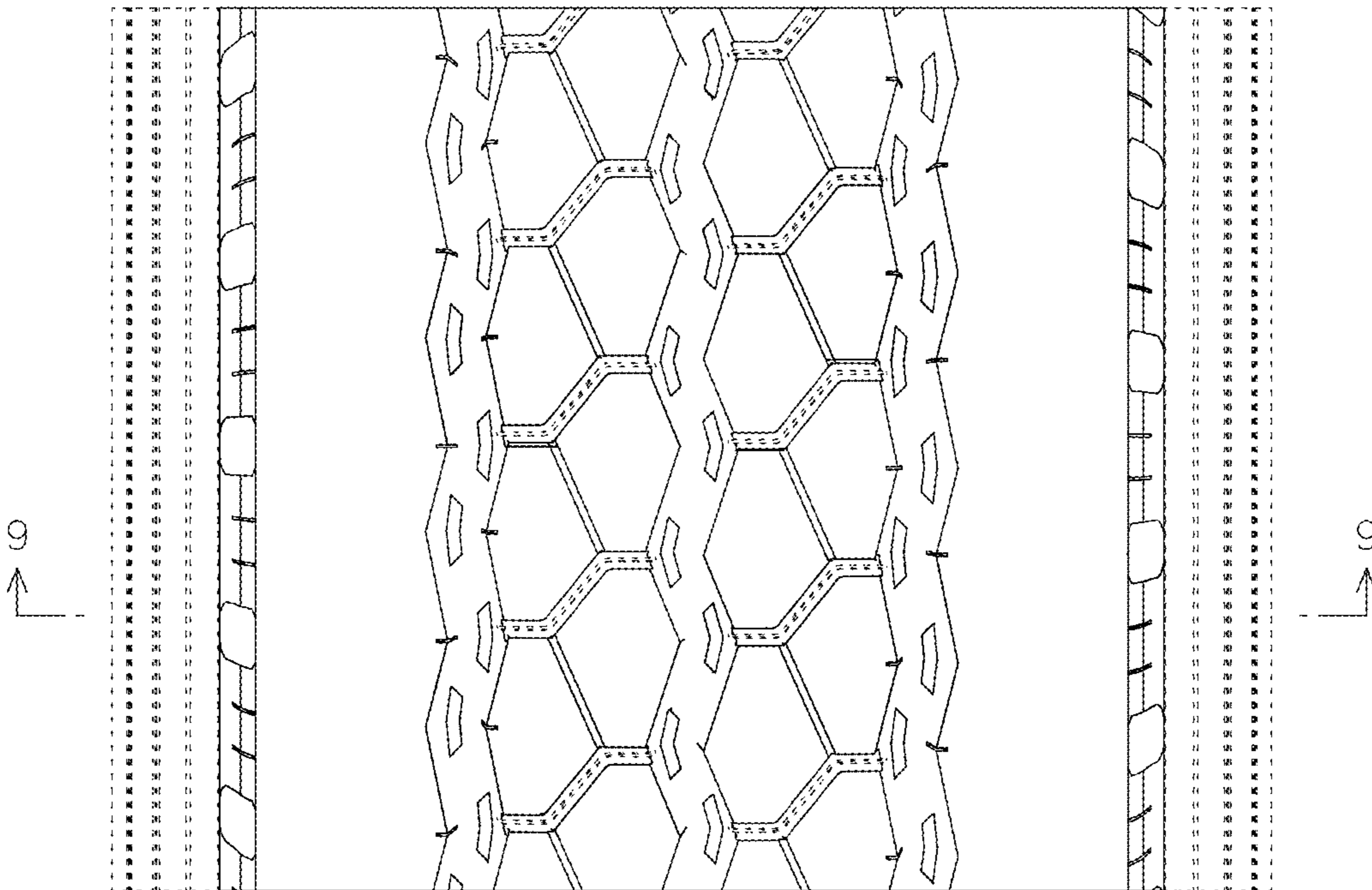


FIG. 8

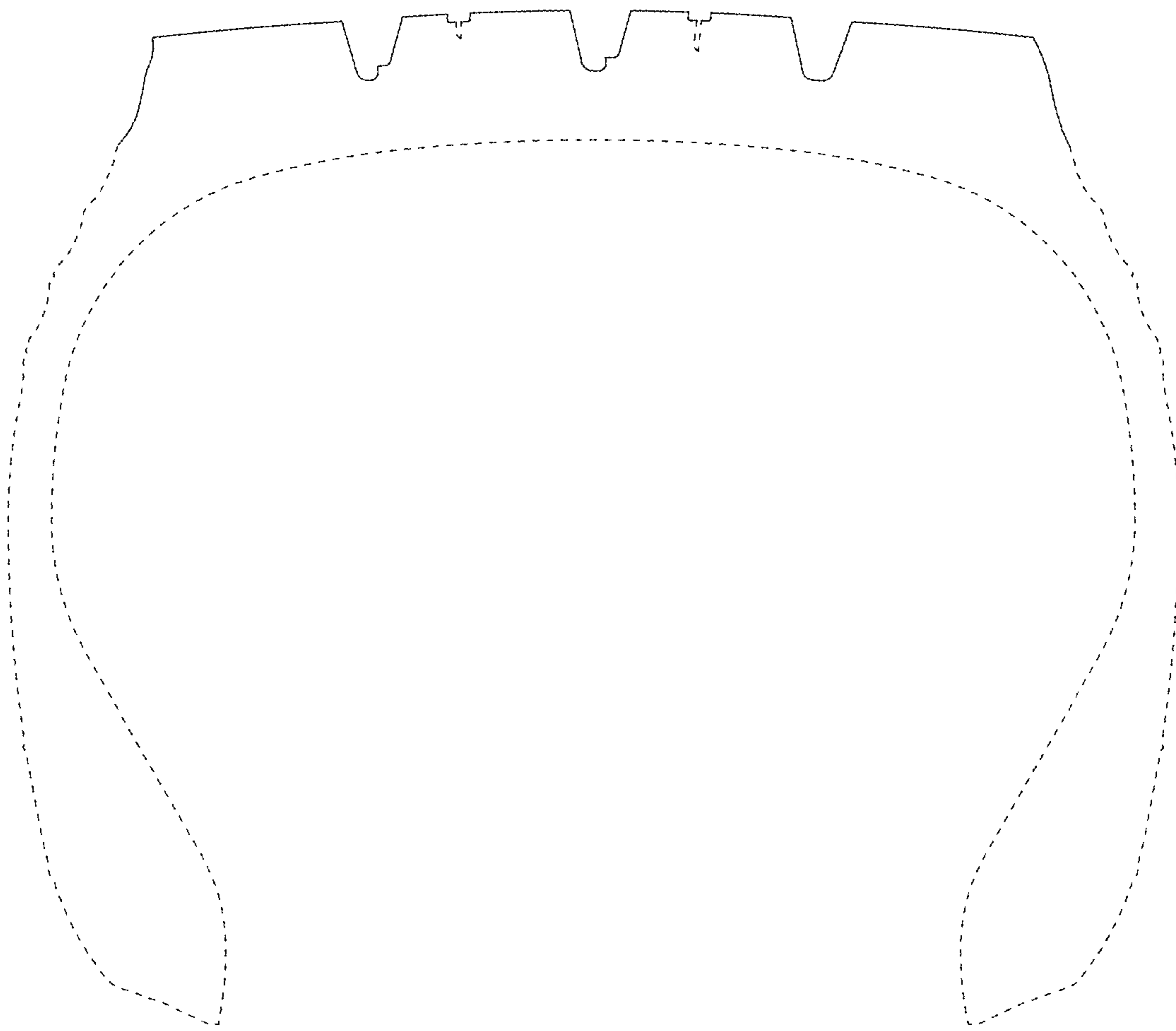


FIG. 9

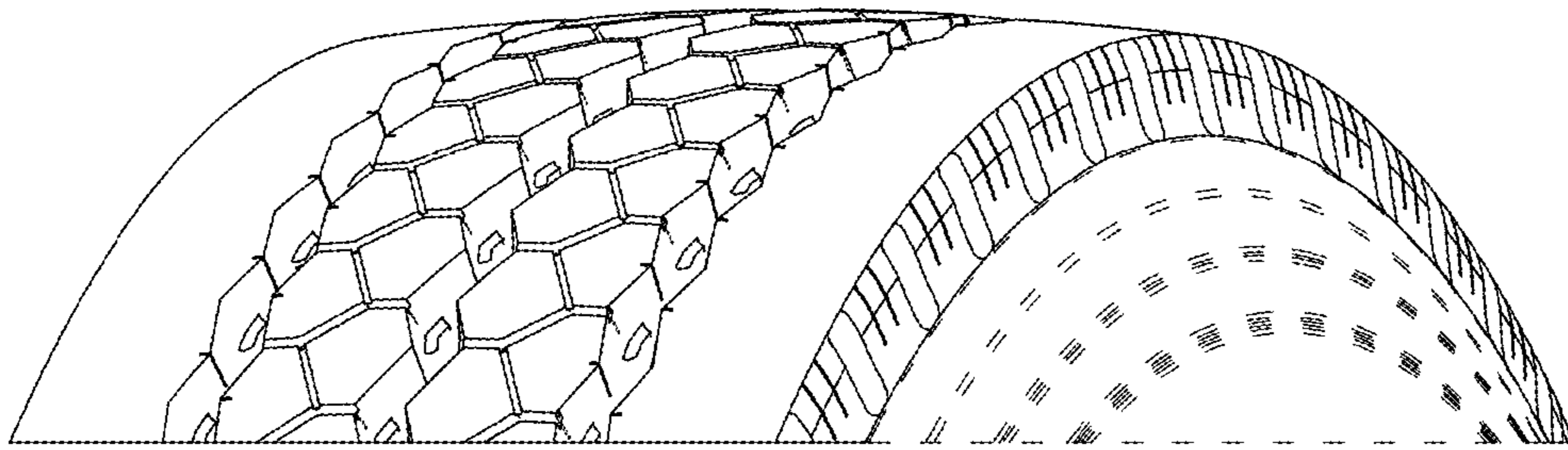


FIG. 10