



US00D769790S

(12) **United States Design Patent**  
**McFadden et al.**

(10) **Patent No.:** **US D769,790 S**  
(45) **Date of Patent:** **\*\* Oct. 25, 2016**

- (54) **BAR FOR VEHICLE RACK**
- (71) Applicant: **Yakima Products, Inc.**, Beaverton, OR (US)
- (72) Inventors: **Scott McFadden**, Portland, OR (US);  
**Juan H. Cagampang**, Portland, OR (US)
- (73) Assignee: **Yakima Products, Inc.**, Lake Oswego, OR (US)
- (\*\*) Term: **15 Years**

D746,761 S \* 1/2016 Cagampang ..... D12/414  
 2007/0164065 A1 \* 7/2007 Davis ..... B60R 9/10  
 224/324  
 2012/0241486 A1 \* 9/2012 Shen ..... B60R 9/058  
 224/321

\* cited by examiner

*Primary Examiner* — Katrina A Betton  
(74) *Attorney, Agent, or Firm* — Kolisch Hartwell, P.C.

- (21) Appl. No.: **29/529,687**
- (22) Filed: **Jun. 9, 2015**
- (51) **LOC (10) Cl.** ..... **12-16**
- (52) **U.S. Cl.**  
USPC ..... **D12/414**
- (58) **Field of Classification Search**  
USPC ..... D12/414, 406; D32/35, 58;  
D6/317-319, 513-514  
CPC ..... B60P 9/00; B60P 3/40  
See application file for complete search history.

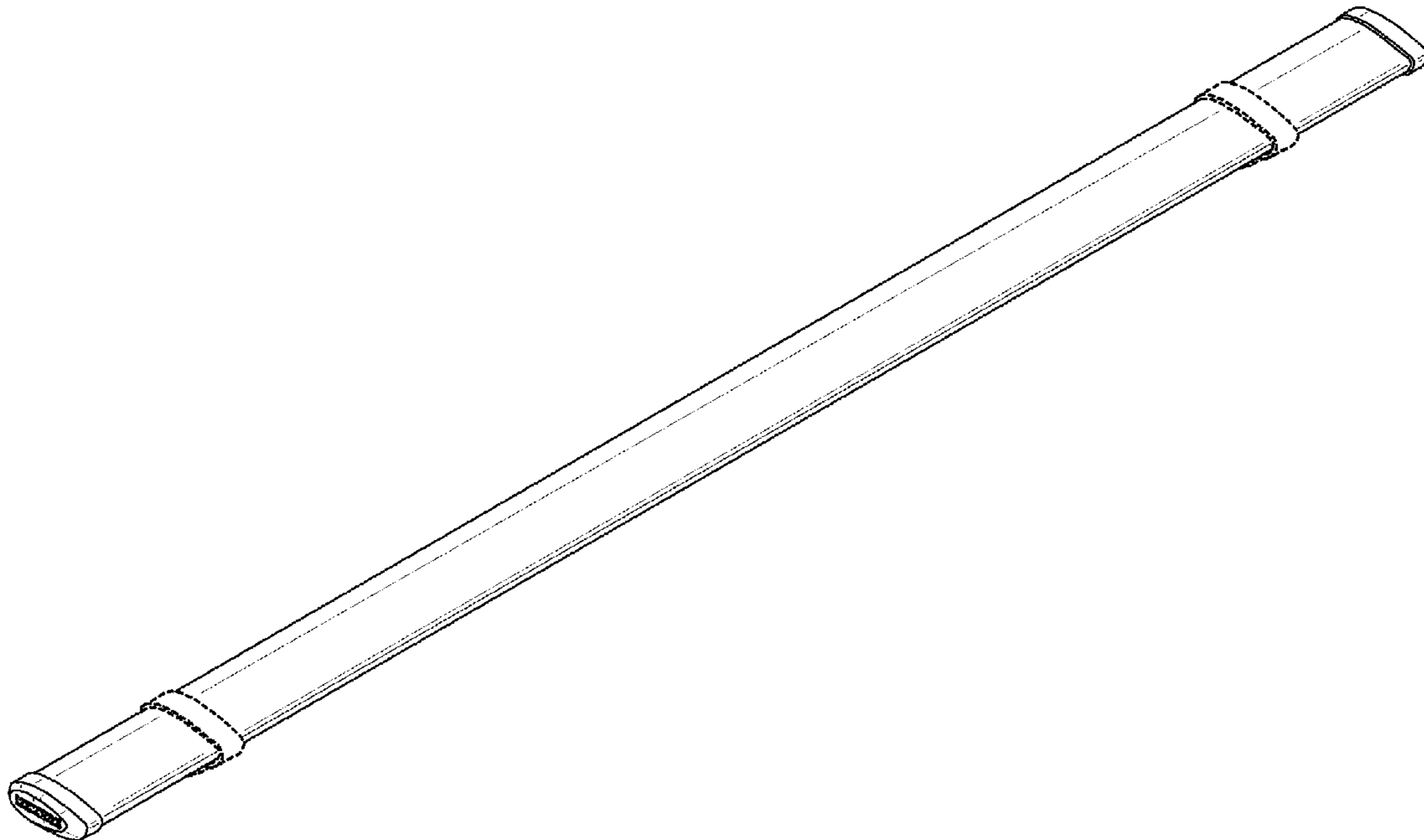
(57) **CLAIM**  
The ornamental design for a bar for vehicle rack, as shown and described.

**DESCRIPTION**

FIG. 1 is a top, rear, and left-side perspective view of a bar for vehicle rack showing the new design;  
 FIG. 2 is a bottom, front, and right-side perspective view thereof;  
 FIG. 3 is an enlarged right side view thereof;  
 FIG. 4 is an enlarged left side view thereof;  
 FIG. 5 is a rear view thereof;  
 FIG. 6 is a front view thereof;  
 FIG. 7 is a top view thereof;  
 FIG. 8 is a bottom view thereof;  
 FIG. 9 is a top, rear, and left side perspective view of an alternative embodiment of a bar for vehicle rack showing the new design; and,  
 FIG. 10 is a bottom, rear, and right side perspective view thereof.  
 The breaks in the drawing figures show no specific length. In the drawings, the broken lines depict portions of the article that form no part of the claimed design.

- (56) **References Cited**  
U.S. PATENT DOCUMENTS  
D319,810 S \* 9/1991 Stapleton ..... D12/412  
D457,123 S \* 5/2002 Sin ..... D12/412  
D577,327 S \* 9/2008 Jung ..... D12/412  
D627,704 S \* 11/2010 Bucher ..... D12/412

**1 Claim, 7 Drawing Sheets**



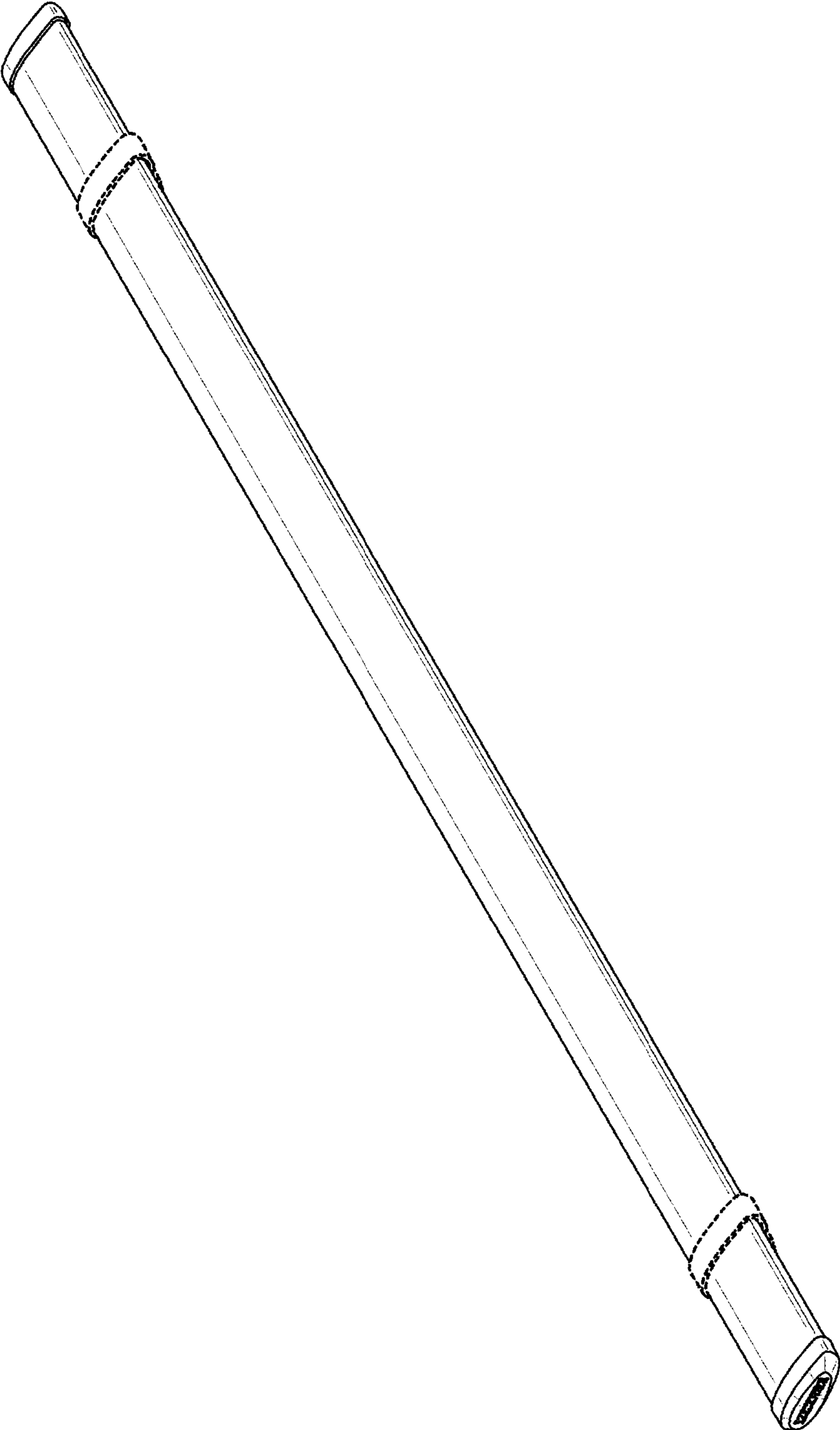


FIG. 1

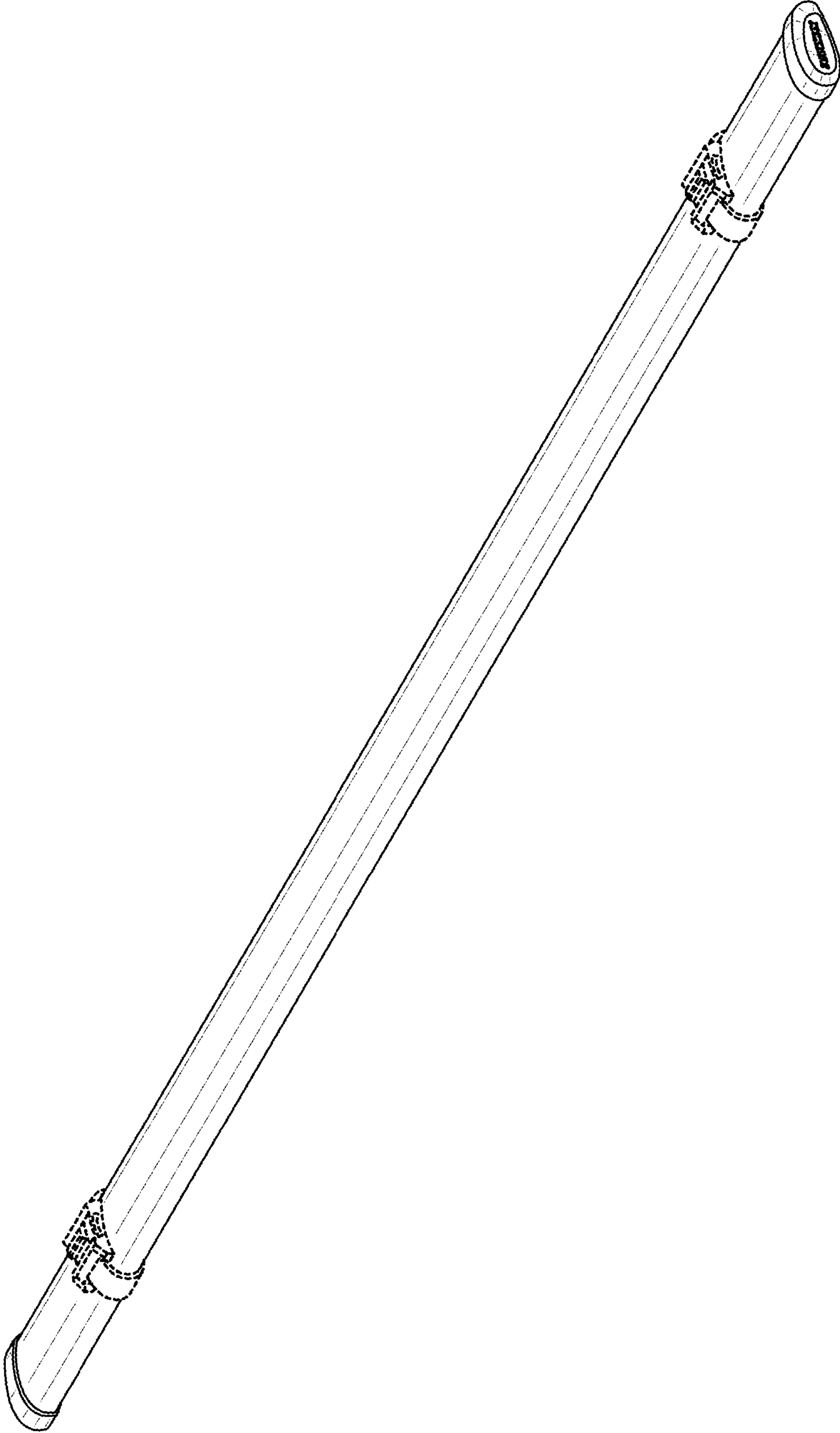


FIG. 2

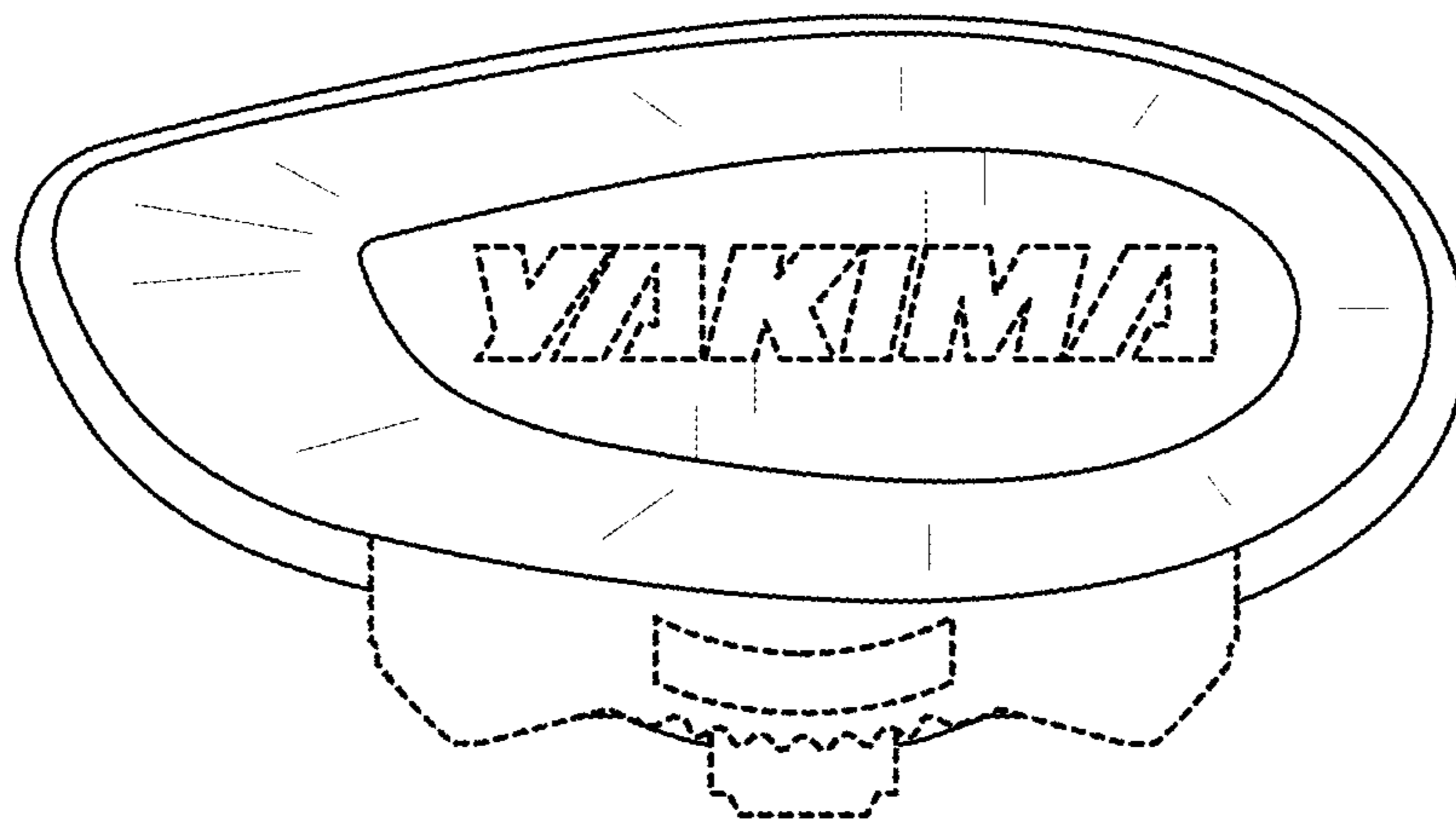


FIG. 3

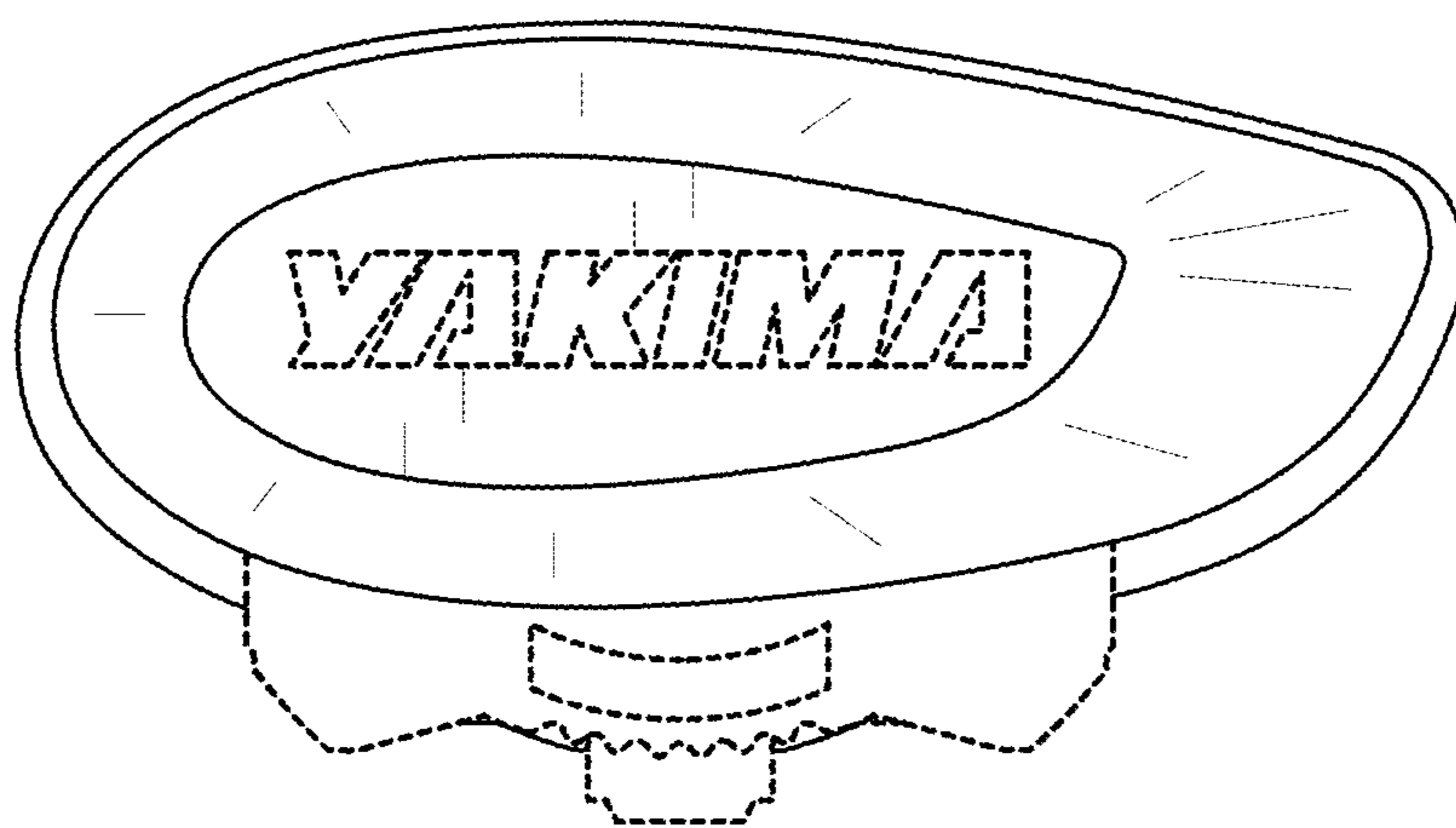


FIG. 4

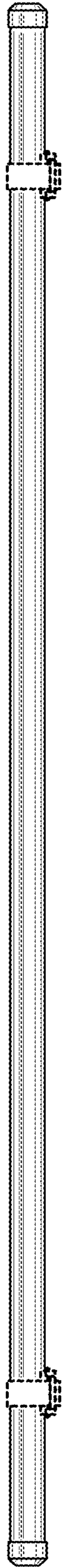


FIG. 5

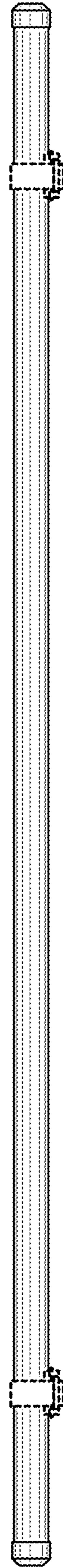


FIG. 6

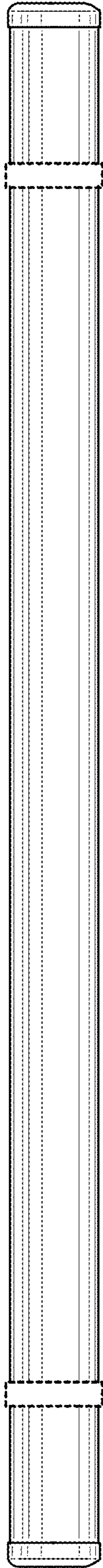


FIG. 7

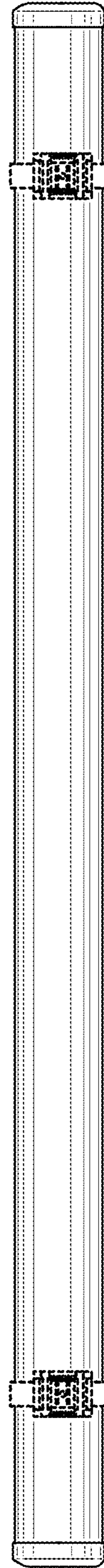


FIG. 8

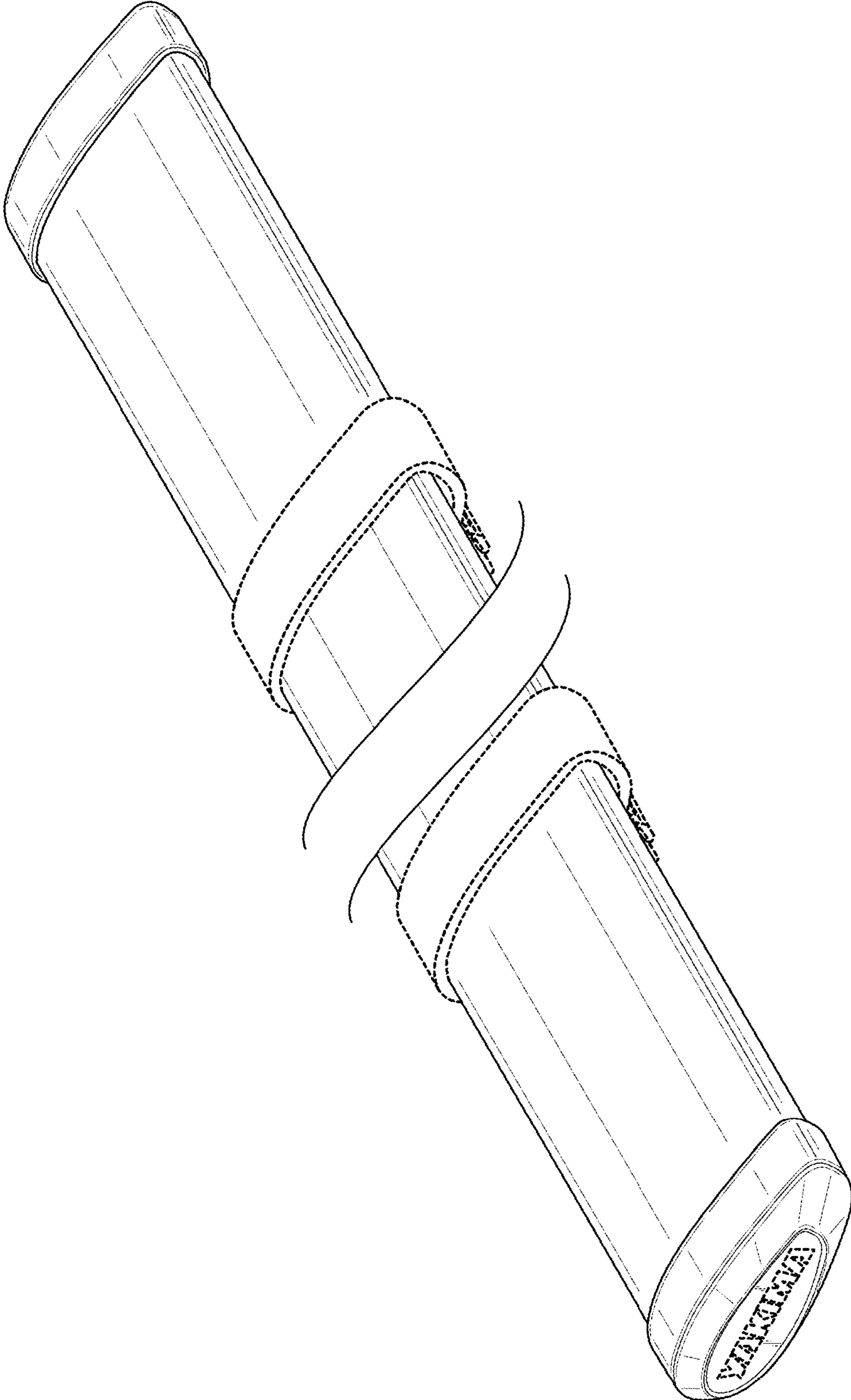


FIG. 9

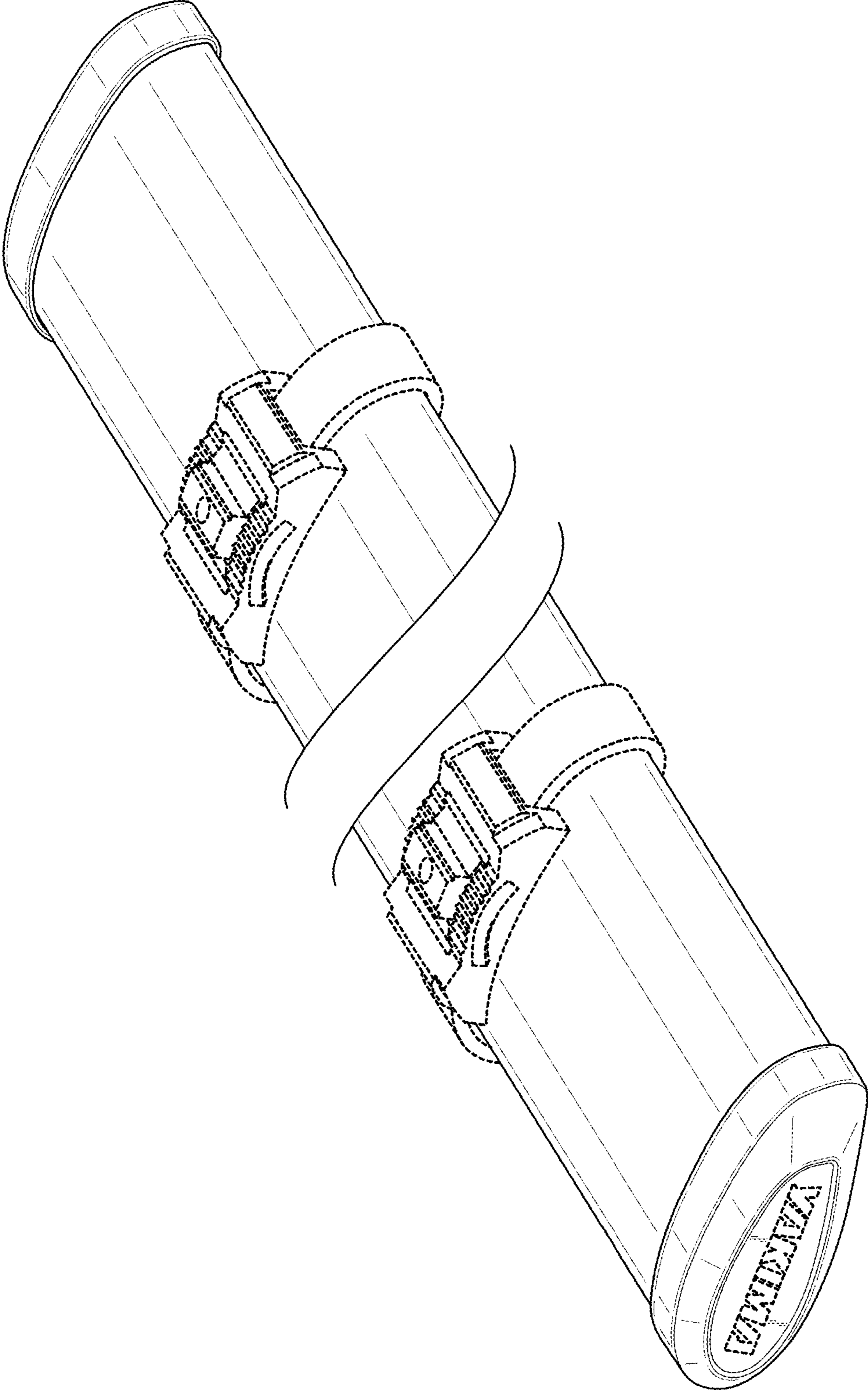


FIG.10