

US00D769789S

(12) **United States Design Patent**
Golden

(10) **Patent No.:** **US D769,789 S**

(45) **Date of Patent:** **** Oct. 25, 2016**

(54) **PORTABLE AND REMOVABLE ENCLOSURE
FOR A RECREATIONAL VEHICLE**

(71) Applicant: **Sheldon S. Golden**, Peel, AR (US)

(72) Inventor: **Sheldon S. Golden**, Peel, AR (US)

(**) Term: **15 Years**

(21) Appl. No.: **29/530,328**

(22) Filed: **Jun. 16, 2015**

(51) **LOC (10) Cl.** **12-16**

(52) **U.S. Cl.**
USPC **D12/404**

(58) **Field of Classification Search**
USPC D12/401-405; D6/610, 611, 596,
D6/601-603, 615, 617, 621; D7/332,
D7/334-337
CPC B62J 19/00; B62J 1/18-1/28
See application file for complete search history.

(56) **References Cited**

U.S. PATENT DOCUMENTS

D352,690 S	*	11/1994	Schorr	D12/403
D382,248 S	*	8/1997	Long	D12/403
D397,669 S	*	9/1998	Komick	D12/403
D503,143 S	*	3/2005	Napieraj	D12/403

D516,497 S	*	3/2006	Napieraj	D12/403
D583,746 S	*	12/2008	Napieraj	D12/403
D583,747 S	*	12/2008	Napieraj	D12/403
D638,343 S	*	5/2011	Kramer	D12/403
D735,634 S	*	8/2015	Taylor	D12/403

* cited by examiner

Primary Examiner — Katrina A Betton

(74) *Attorney, Agent, or Firm* — Mitchell Law PLLC;
Matthew W. Mitchell

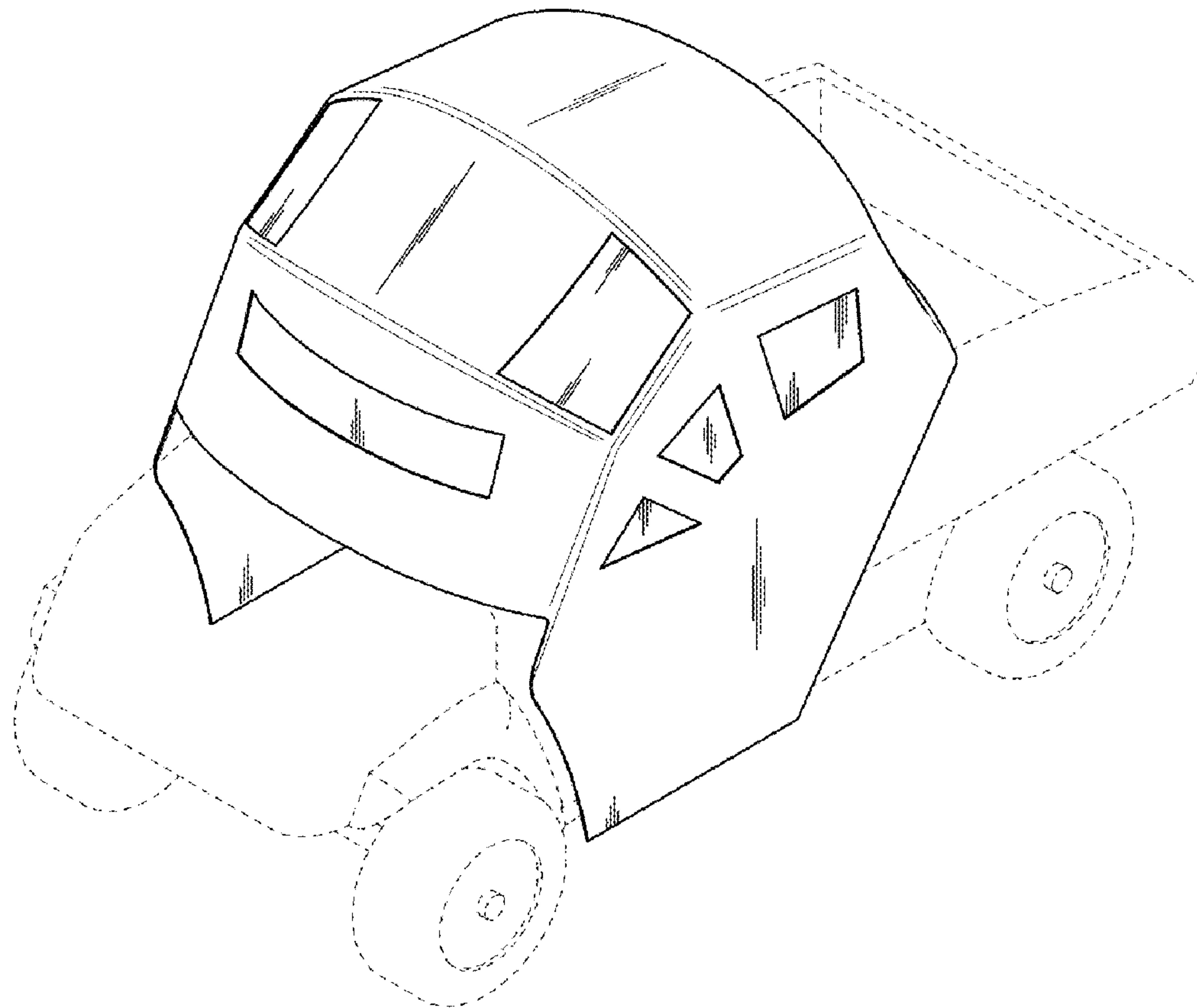
(57) **CLAIM**

The ornamental design for a portable and removable enclosure for a recreational vehicle, as shown and described.

DESCRIPTION

FIG. 1 is a front perspective view of the portable and removable enclosure for a vehicle of the present invention; FIG. 2 is a back perspective view of the invention of FIG. 1; FIG. 3 is a front view of the invention of FIG. 1; FIG. 4 is a back view of the invention of FIG. 1; FIG. 5 is a side view of the invention of FIG. 1, as seen from a left side of FIG. 3; FIG. 6 is a side view of the invention of FIG. 1, as seen from a right side of FIG. 3; FIG. 7 is a top view of the invention of FIG. 1; and, FIG. 8 is a bottom view of the invention of FIG. 1. The broken line showing a vehicle is included for contextual purposes and forms no part of the claimed design.

1 Claim, 4 Drawing Sheets



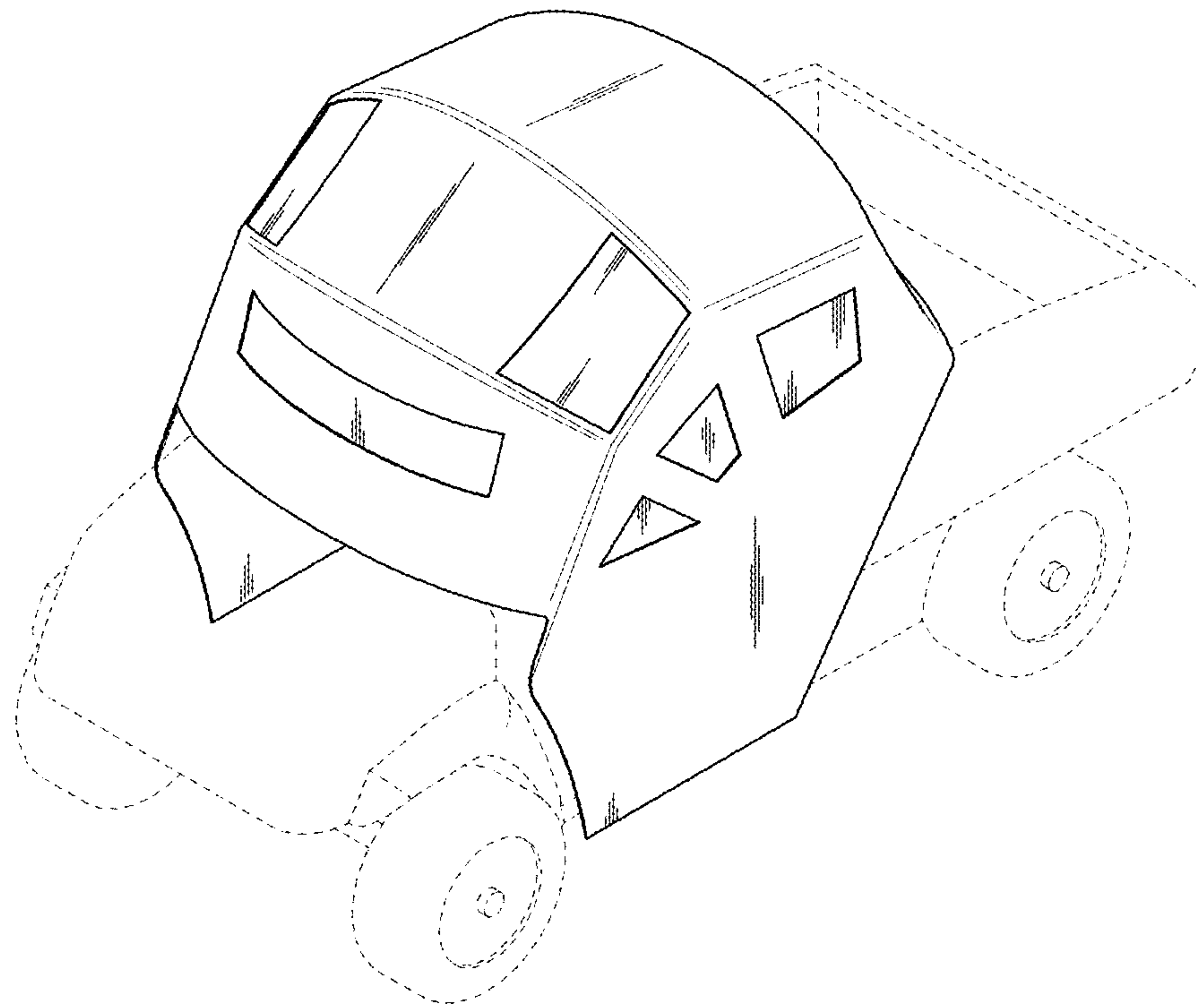


FIG. 1

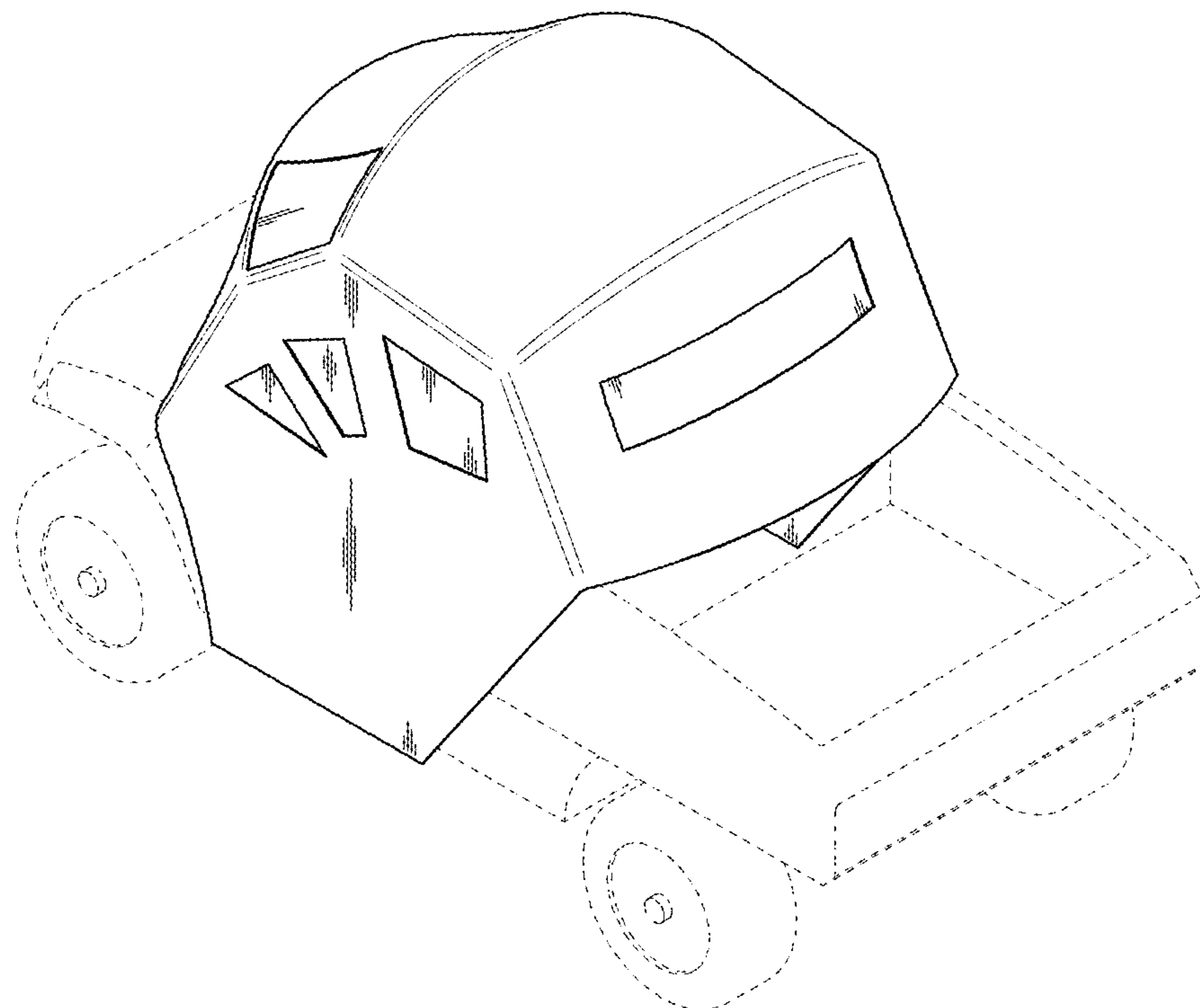


FIG. 2

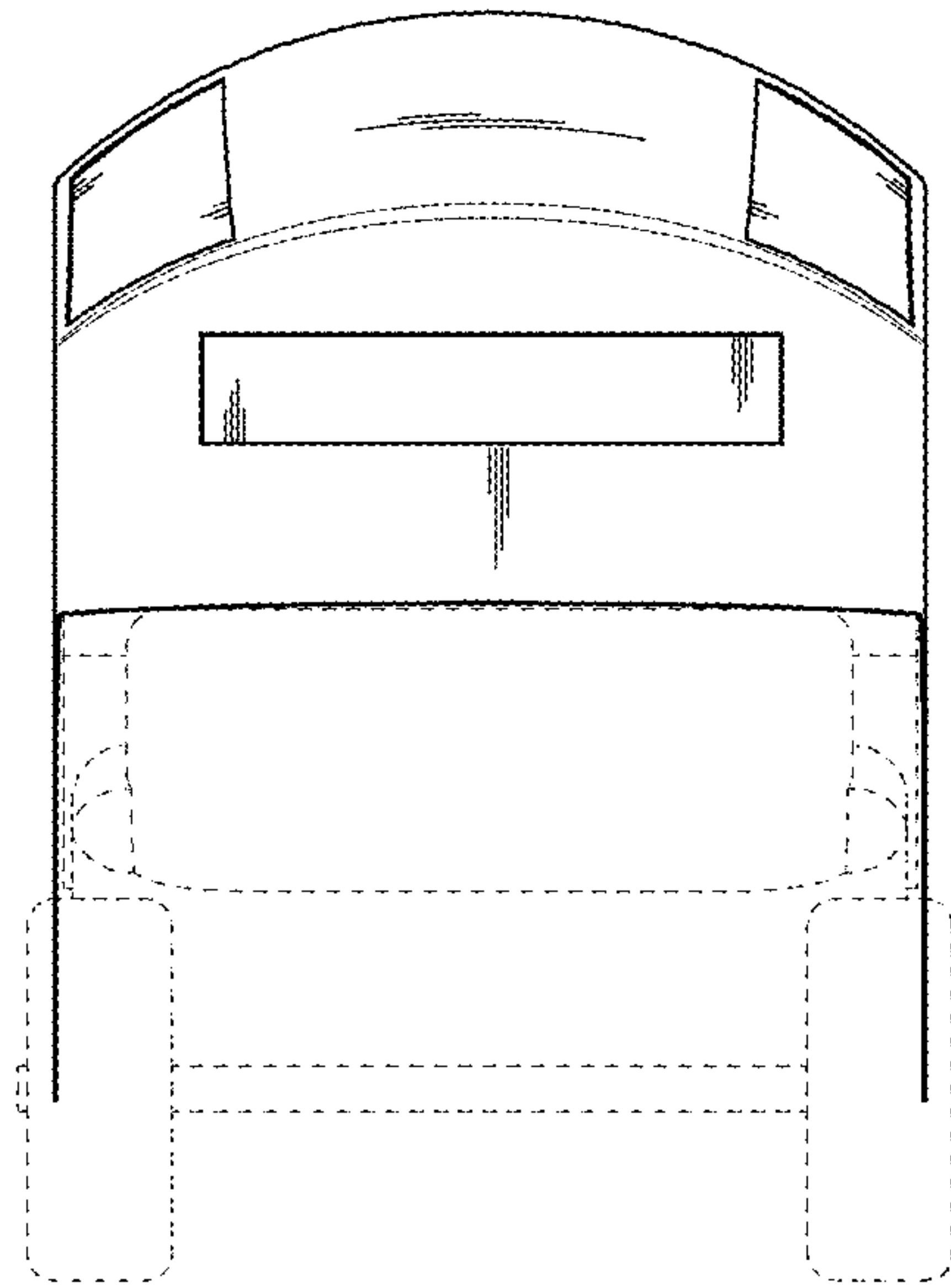


FIG. 3

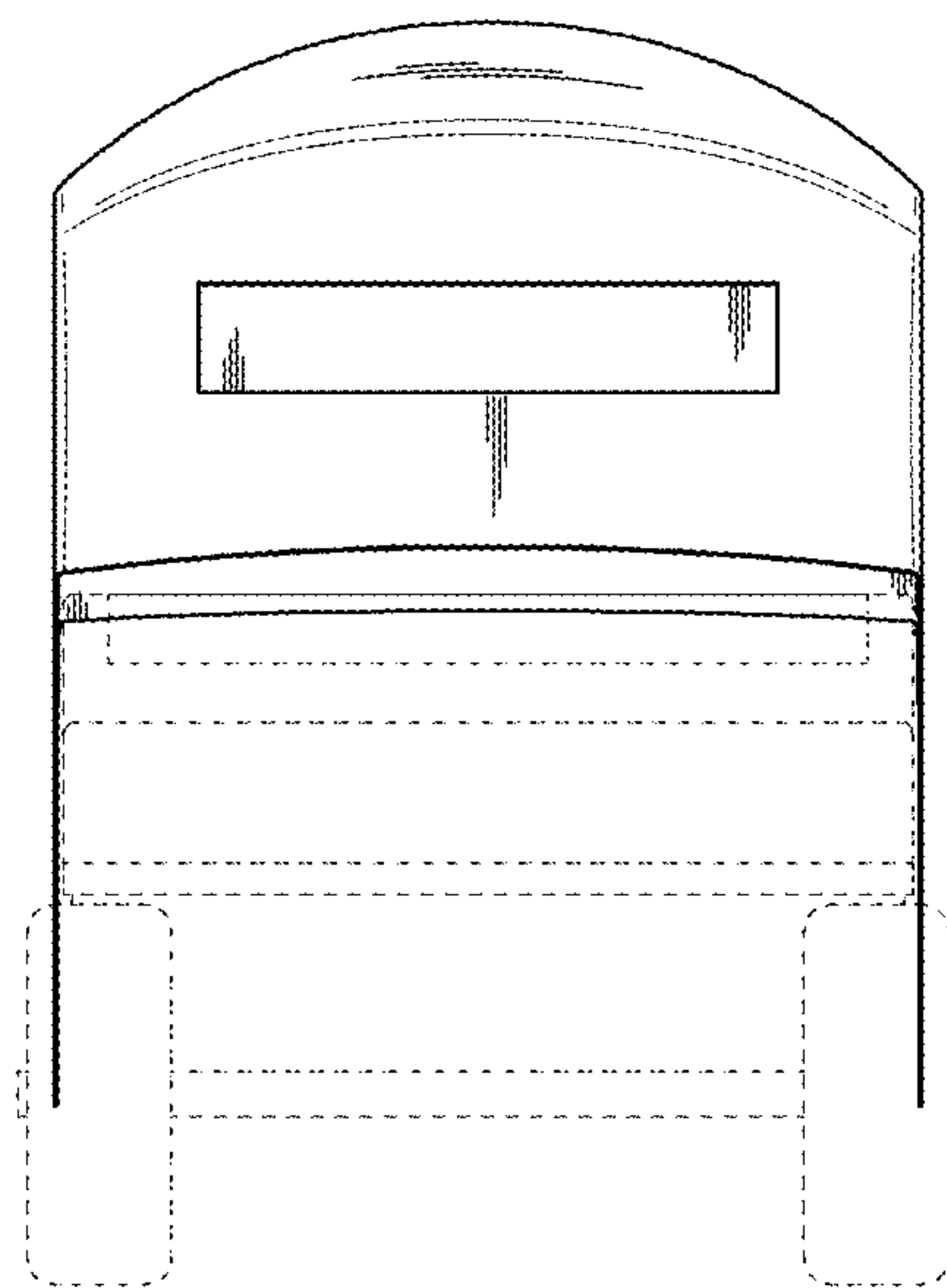


FIG. 4

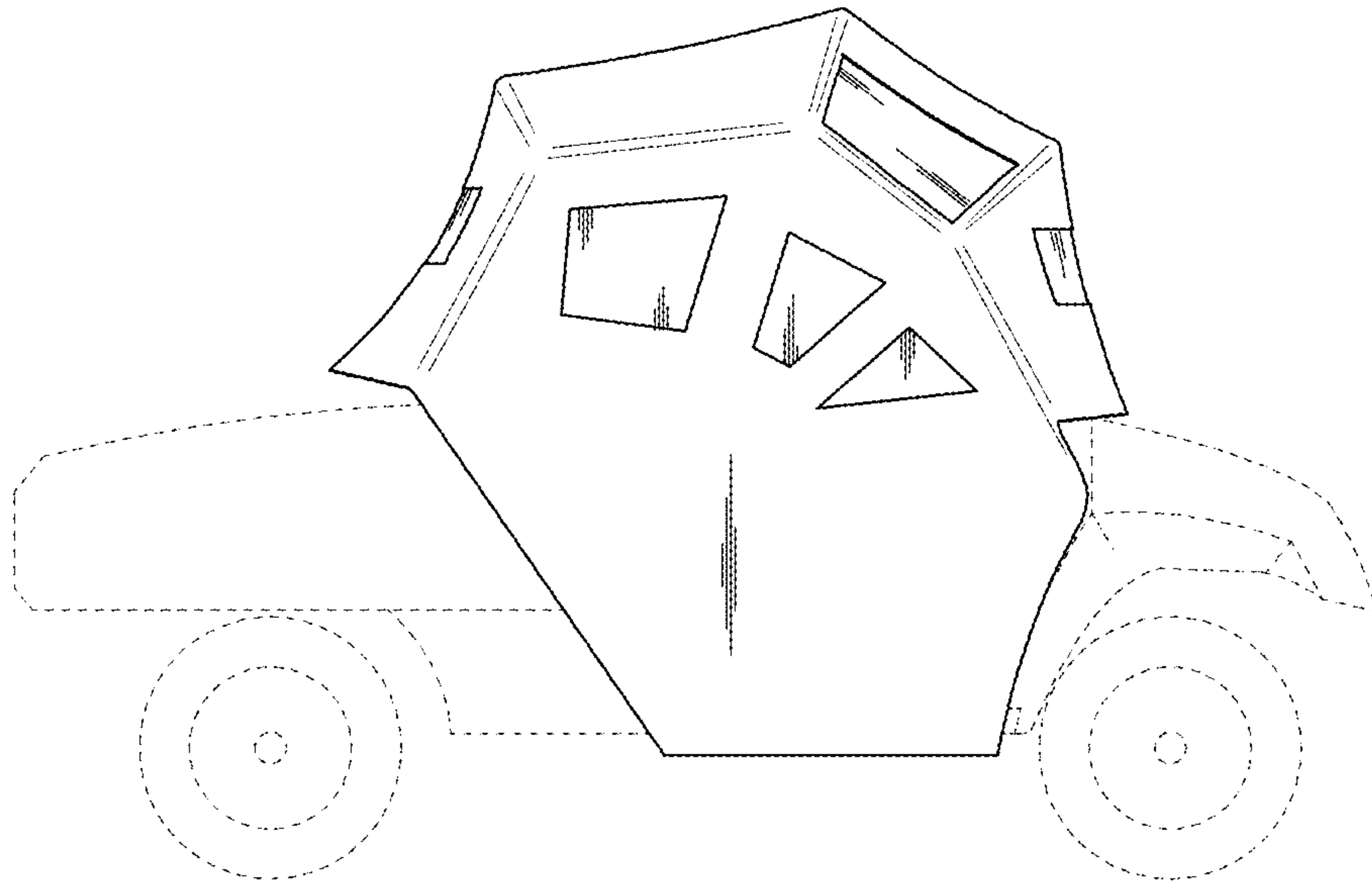


FIG. 5

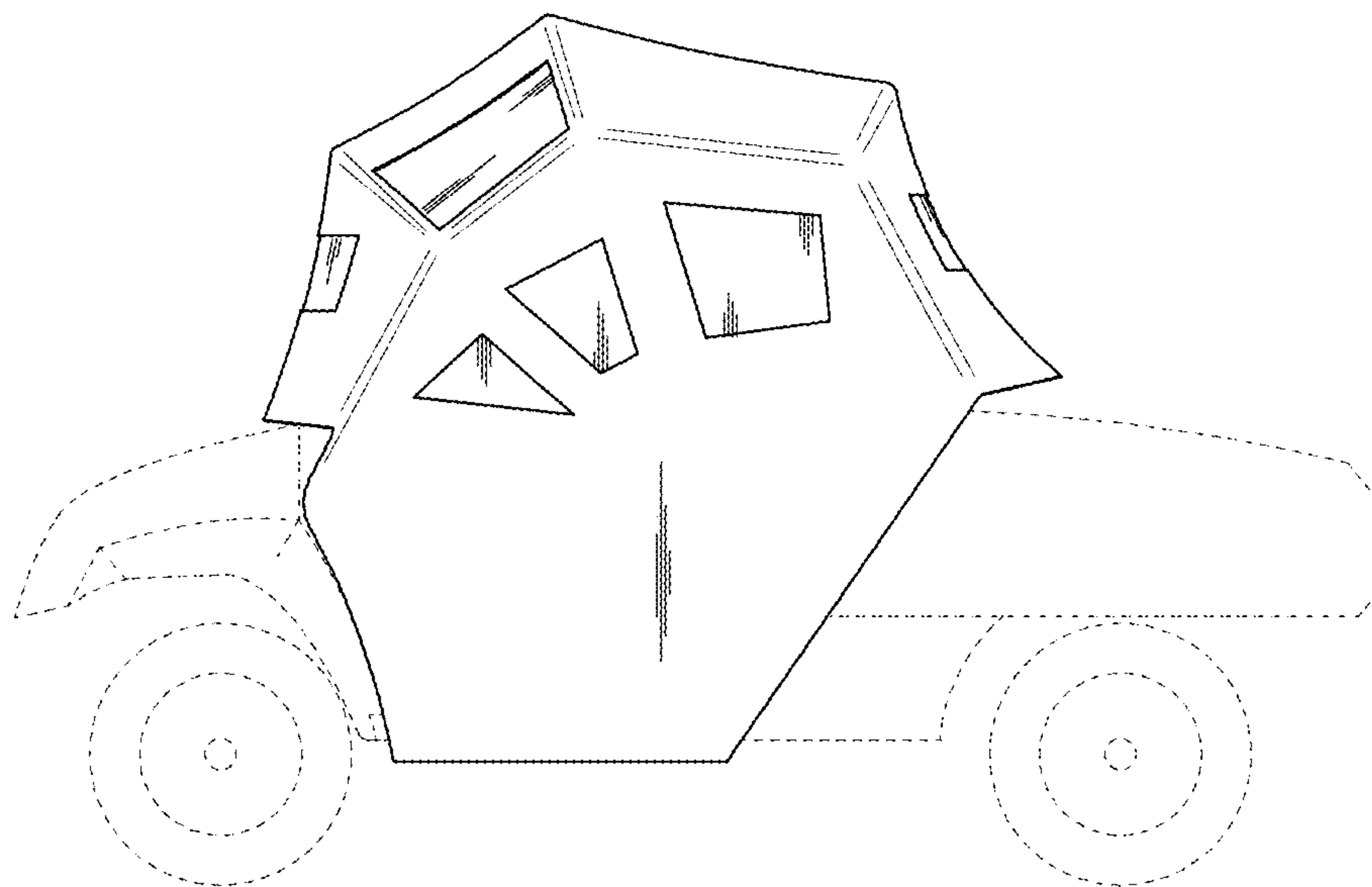


FIG. 6

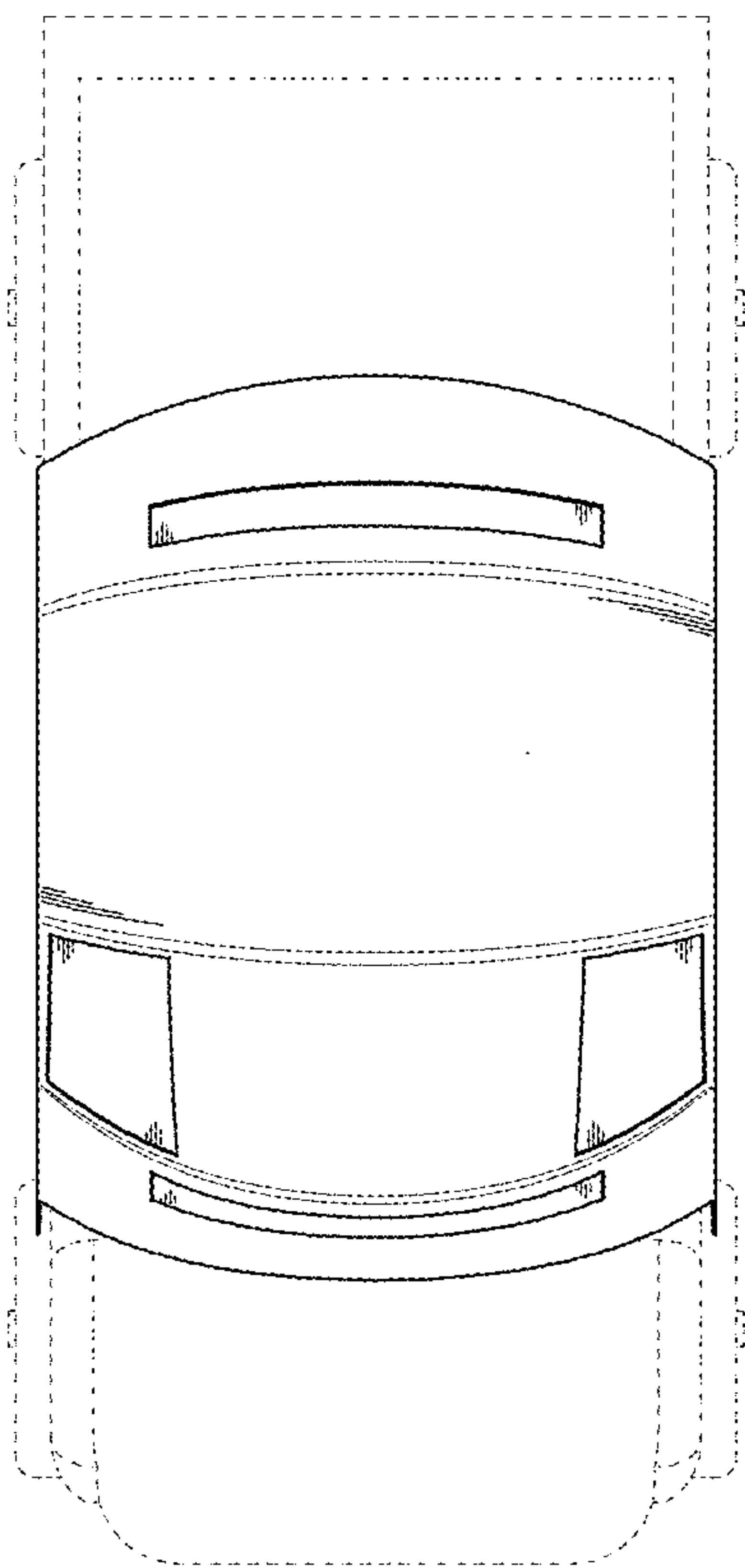


FIG. 7

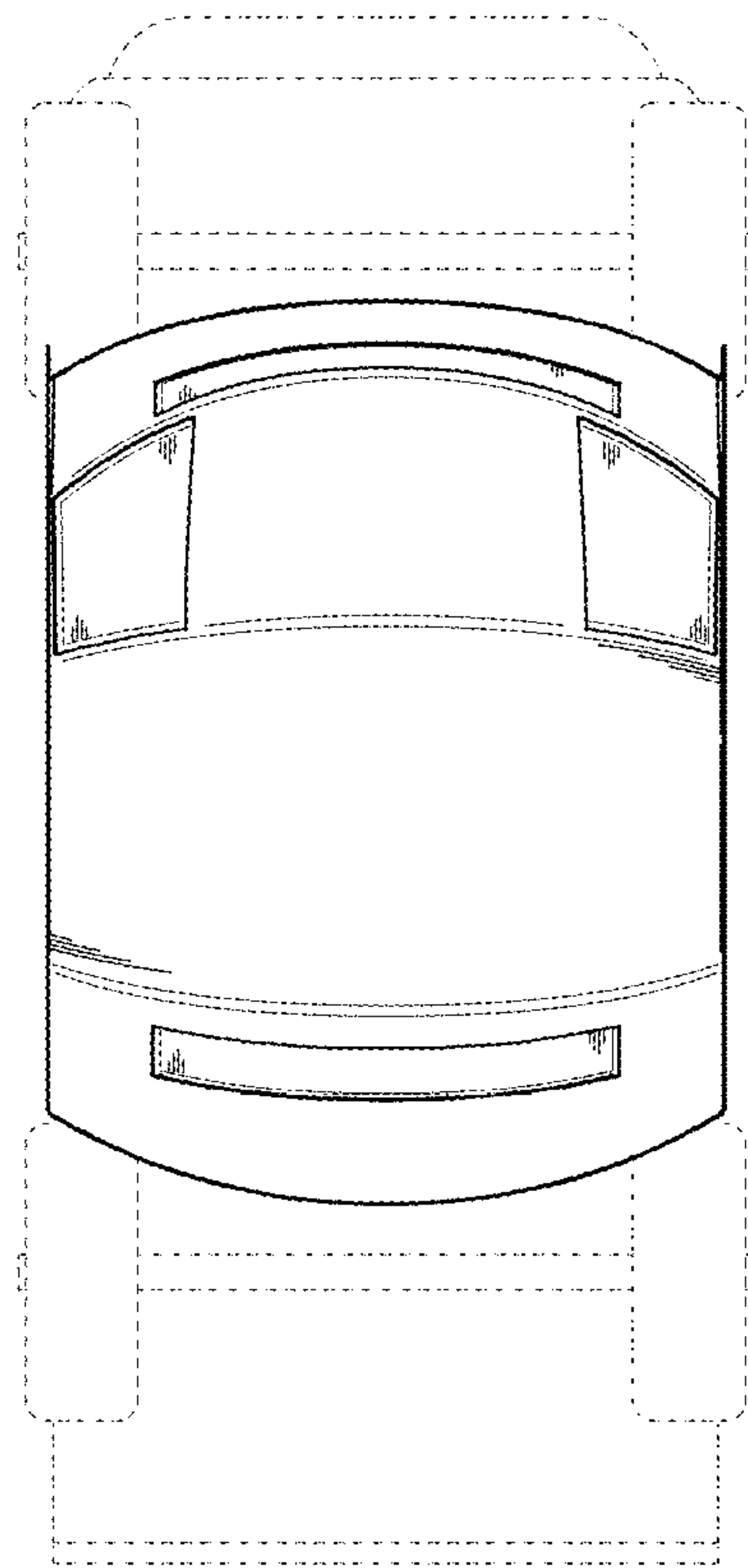


FIG. 8