

US00D769788S

(12) **United States Design Patent**
Sethapun et al.

(10) **Patent No.:** **US D769,788 S**
(45) **Date of Patent:** **** Oct. 25, 2016**

(54) **STORAGE CABINET FOR AIRCRAFT**

(71) Applicant: **Gulfstream Aerospace Corporation**,
Savannah, GA (US)

(72) Inventors: **Kevin Sethapun**, Savannah, GA (US);
Andrew Fulford, Northville, MI (US);
Aram Kasparian, Savannah, GA (US)

(73) Assignee: **Gulfstream Aerospace Corporation**,
Savannah, GA (US)

(**) Term: **14 Years**

(21) Appl. No.: **29/506,142**

(22) Filed: **Oct. 13, 2014**

(51) **LOC (10) Cl.** **12-07**

(52) **U.S. Cl.**
USPC **D12/345**

(58) **Field of Classification Search**
USPC D6/336, 384, 653, 654, 665, 657, 663,
D6/672, 573; D7/602, 603, 614; D12/319,
D12/323, 325, 336, 345, 192, 423, 415, 416,
D12/179, 180, 182; D21/436, 447, 448,
D21/449, 453; D14/125-134, 307, 336, 371
CPC B64C 13/04; B64D 11/0007; B64D
11/0015; B64D 11/003; B64D 11/04; B64D
2011/0046; B64D 11/0629; B64D 9/00;
B64D 11/00; B64B 1/10
See application file for complete search history.

(56) **References Cited**

U.S. PATENT DOCUMENTS

5,482,230 A * 1/1996 Bird B64C 1/10
244/118.5
D623,577 S * 9/2010 Orson D12/345
D628,138 S * 11/2010 Collins D12/345

D647,024 S * 10/2011 Tan D12/345
D649,926 S * 12/2011 Tan D12/345
D656,885 S * 4/2012 Tan D12/345
8,991,947 B2 * 3/2015 Lee B64D 47/00
312/242
D730,804 S * 6/2015 Cuddy D12/345
2003/0047647 A1 * 3/2003 Poblete B64D 11/0015
244/118.1
2014/0175219 A1 * 6/2014 Young B64D 11/04
244/118.5
2014/0224929 A1 * 8/2014 Weitzel B64D 11/00
244/118.1
2014/0224931 A1 * 8/2014 Weitzel B64D 11/06
244/118.6
2015/0115100 A1 * 4/2015 Schliwa B64D 11/003
244/118.1

* cited by examiner

Primary Examiner — Robert M Spear

Assistant Examiner — Marissa J Cash

(74) *Attorney, Agent, or Firm* — Ingrassia, Fisher &
Lorenz PC

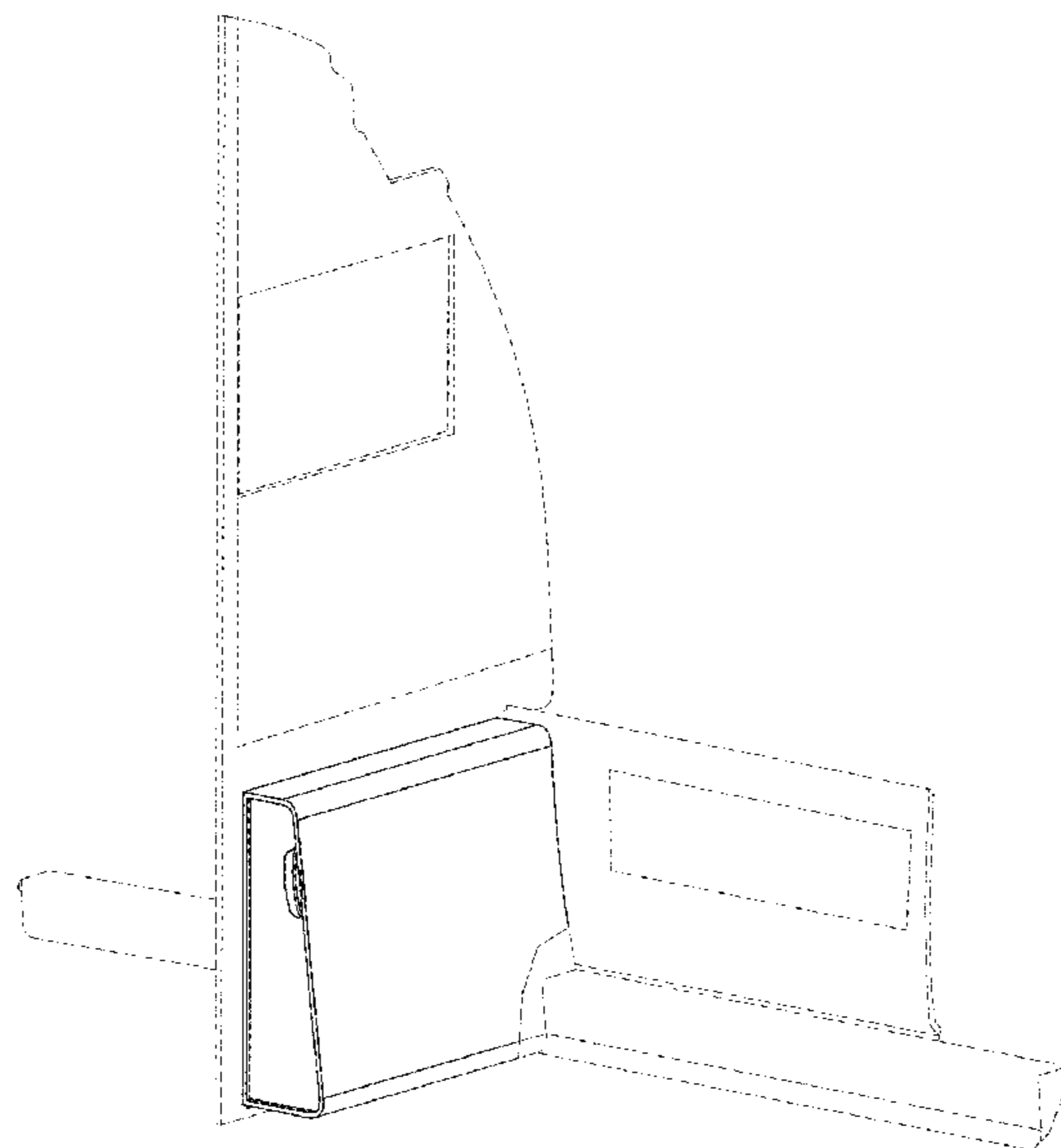
(57) **CLAIM**

The ornamental design for a storage cabinet for aircraft, as shown and described.

DESCRIPTION

FIG. 1 is a front perspective view of a storage cabinet for aircraft;
FIG. 2 is a front view of the storage cabinet;
FIG. 3 is a top view of the storage cabinet;
FIG. 4 is a bottom view of the storage cabinet; and,
FIG. 5 is a first side view of the storage cabinet.
The dash-dot-dash broken line illustrates a boundary of the claimed design that forms no part thereof. The consistent length dash broken lines represent environment and structures that form no part of the claimed design.

1 Claim, 5 Drawing Sheets



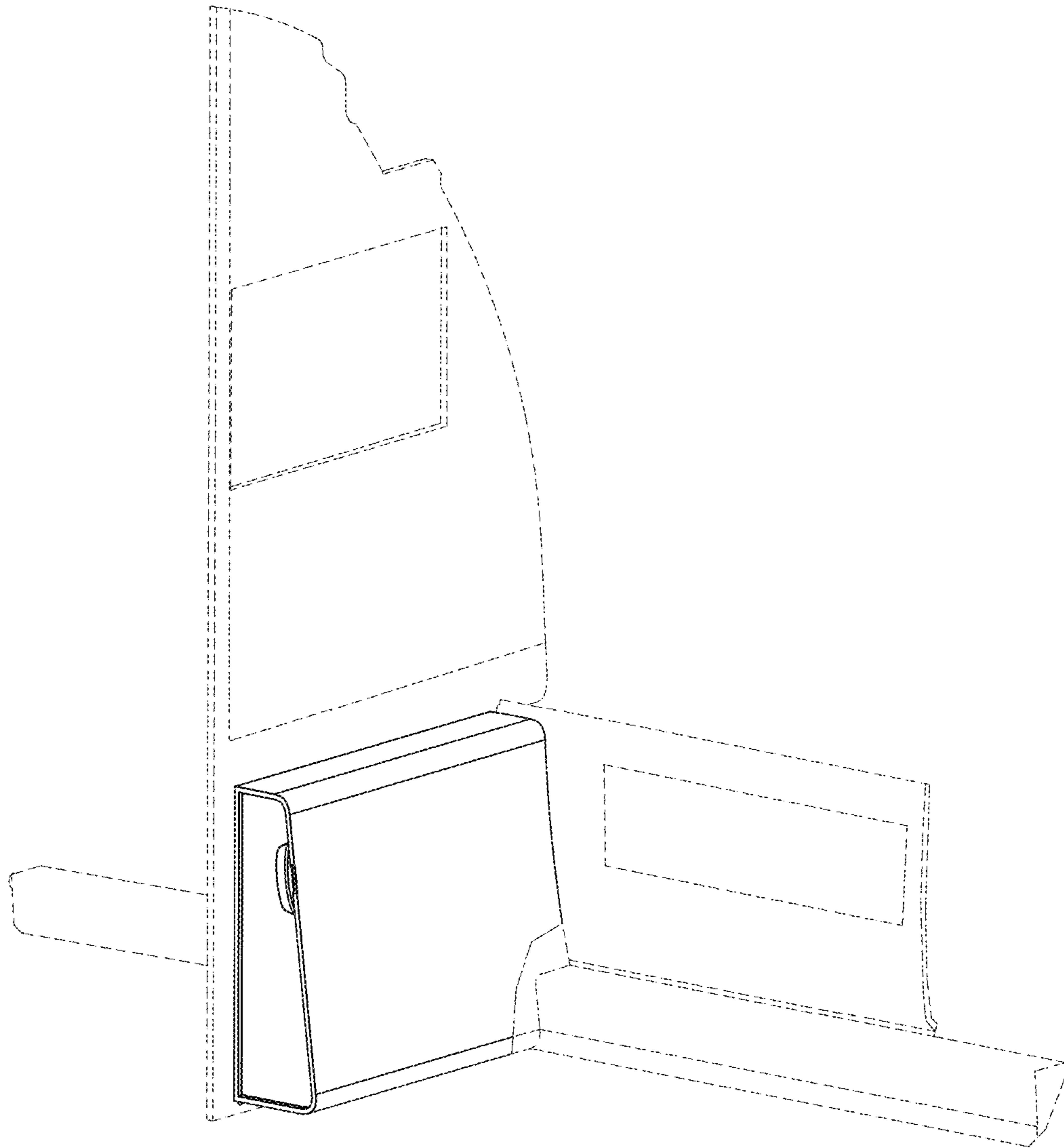


FIG - 1

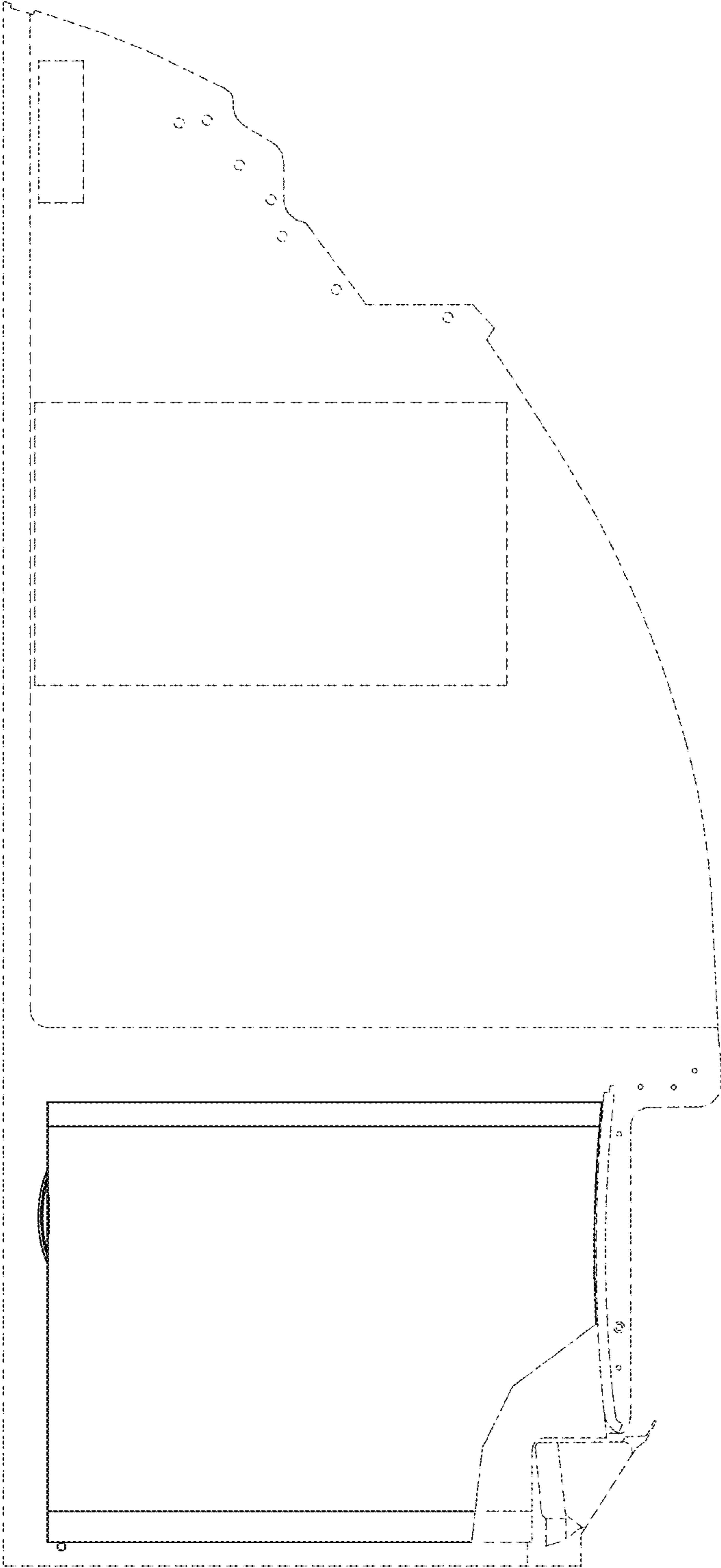


FIG - 2

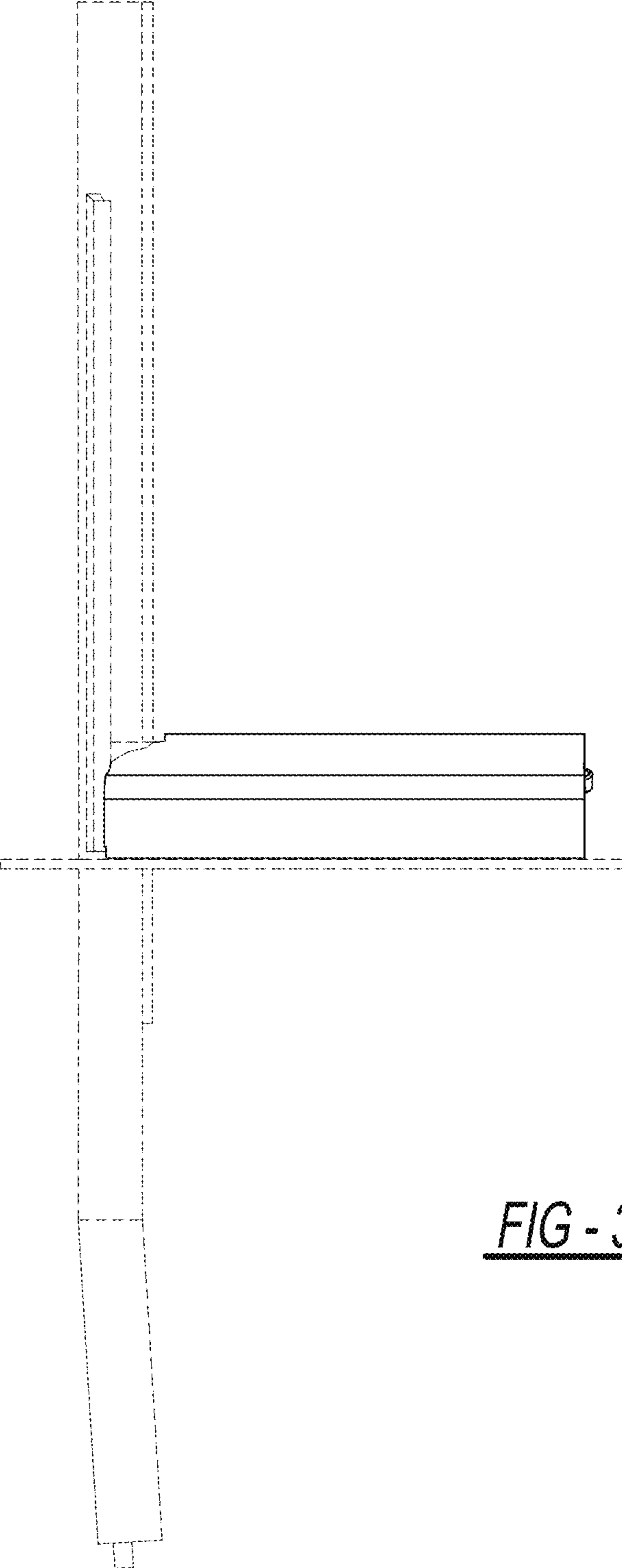
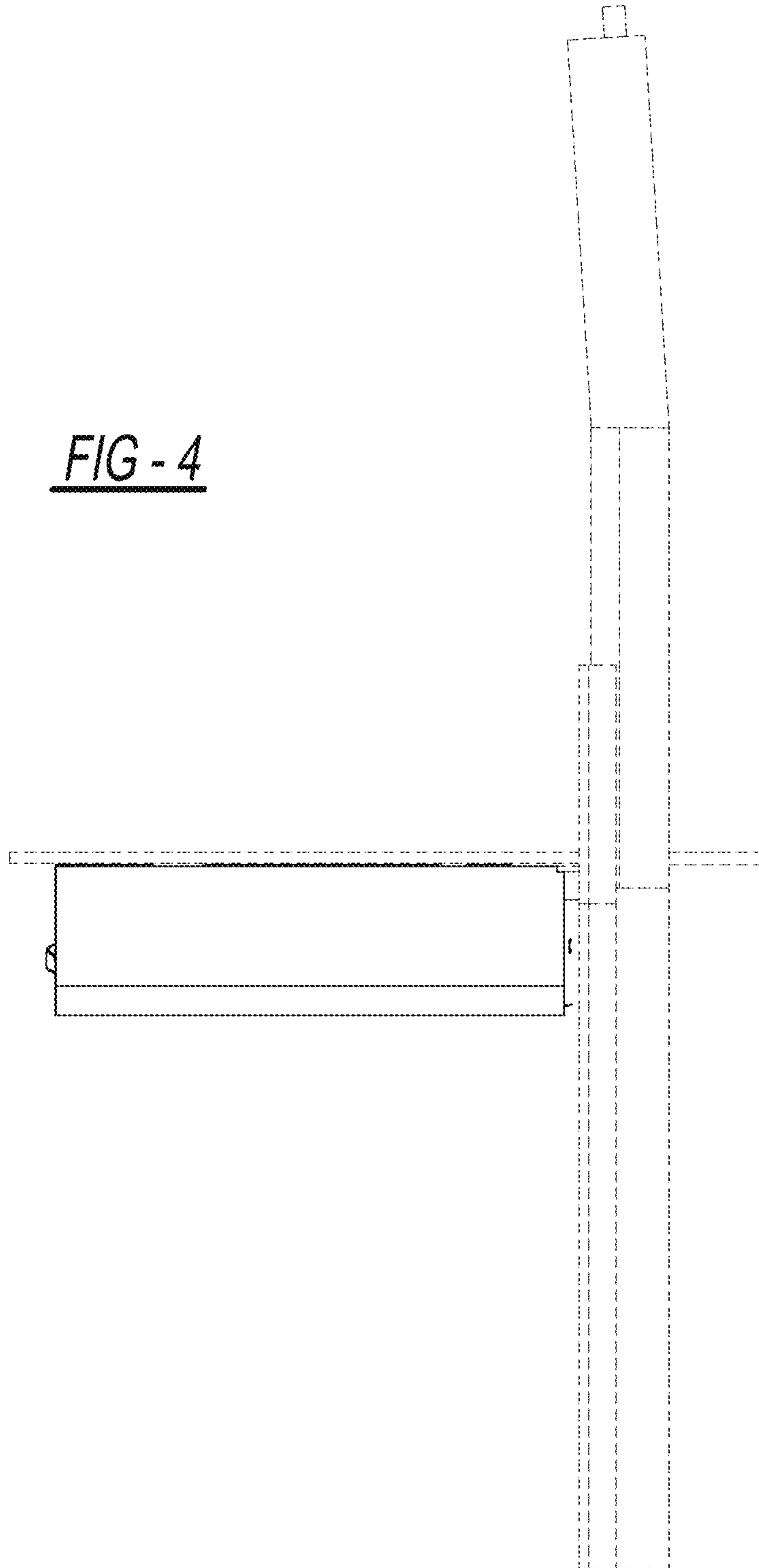


FIG - 3

FIG - 4



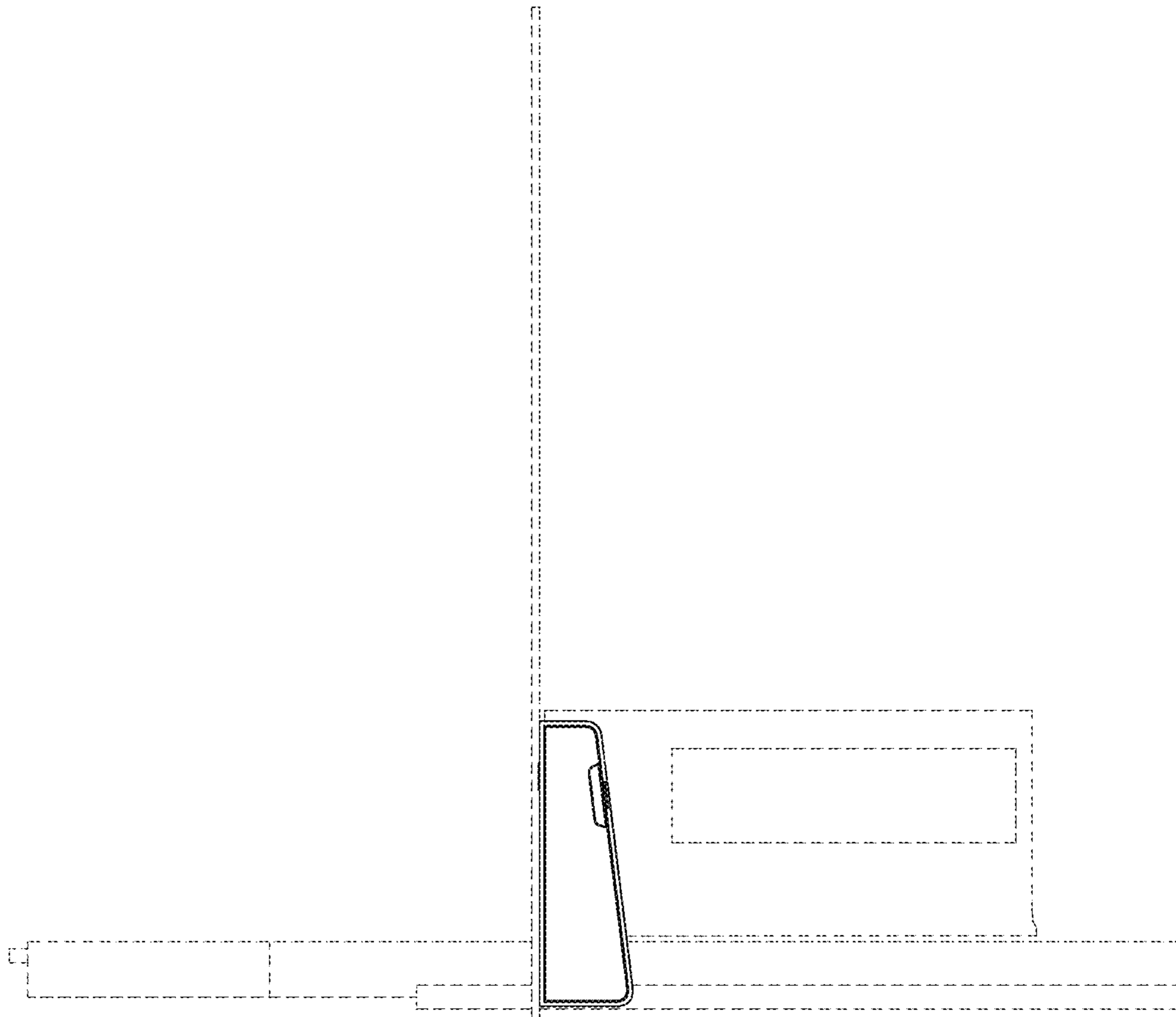


FIG - 5