



US00D769785S

(12) **United States Design Patent**
Wells

(10) **Patent No.:** **US D769,785 S**

(45) **Date of Patent:** **** Oct. 25, 2016**

(54) **WHEEL RIM**

(71) Applicant: **Allied Wheel Components**, Garden Grove, CA (US)

(72) Inventor: **Gregory Wells**, Fountain Valley, CA (US)

(73) Assignee: **Allied Wheel Components**, Garden Grove, CA (US)

(**) Term: **15 Years**

(21) Appl. No.: **29/535,551**

(22) Filed: **Aug. 7, 2015**

(51) **LOC (10) Cl.** **12-16**

(52) **U.S. Cl.**
USPC **D12/211**

(58) **Field of Classification Search**
USPC D12/204–213
CPC B60B 7/00; B60B 7/02; B60B 7/04;
B60B 7/01; B60B 7/06; B60B 3/02; B60B
3/04; B60B 3/06; B60B 3/10; B60B 1/00;
B60B 1/08; B60B 1/10; B60B 1/12
See application file for complete search history.

(56) **References Cited**

U.S. PATENT DOCUMENTS

D480,036 S * 9/2003 Laengerer D12/211
D501,817 S * 2/2005 Pfeiffer D12/211

D514,050 S * 1/2006 Scheu D12/211
D525,578 S * 7/2006 Schell D12/211
D545,262 S * 6/2007 Southey D12/211
D570,762 S * 6/2008 Scheu D12/211
D586,715 S * 2/2009 Cortes D12/211
D633,028 S * 2/2011 Kim D12/211
D639,222 S * 6/2011 Johnson
D641,678 S * 7/2011 Elmitt D12/209
D670,227 S * 11/2012 Chung D12/211
D704,617 S * 5/2014 Chung D12/211
D706,197 S * 6/2014 Chung D12/211
D709,020 S * 7/2014 Chung D12/211
D719,893 S * 12/2014 Kim D12/211
D726,630 S * 4/2015 Kong D12/211
D731,946 S * 6/2015 Chung D12/211
D753,048 S * 4/2016 Chan D12/211

* cited by examiner

Primary Examiner — Stacia Cadmus

(74) *Attorney, Agent, or Firm* — Fish & Tsang LLP

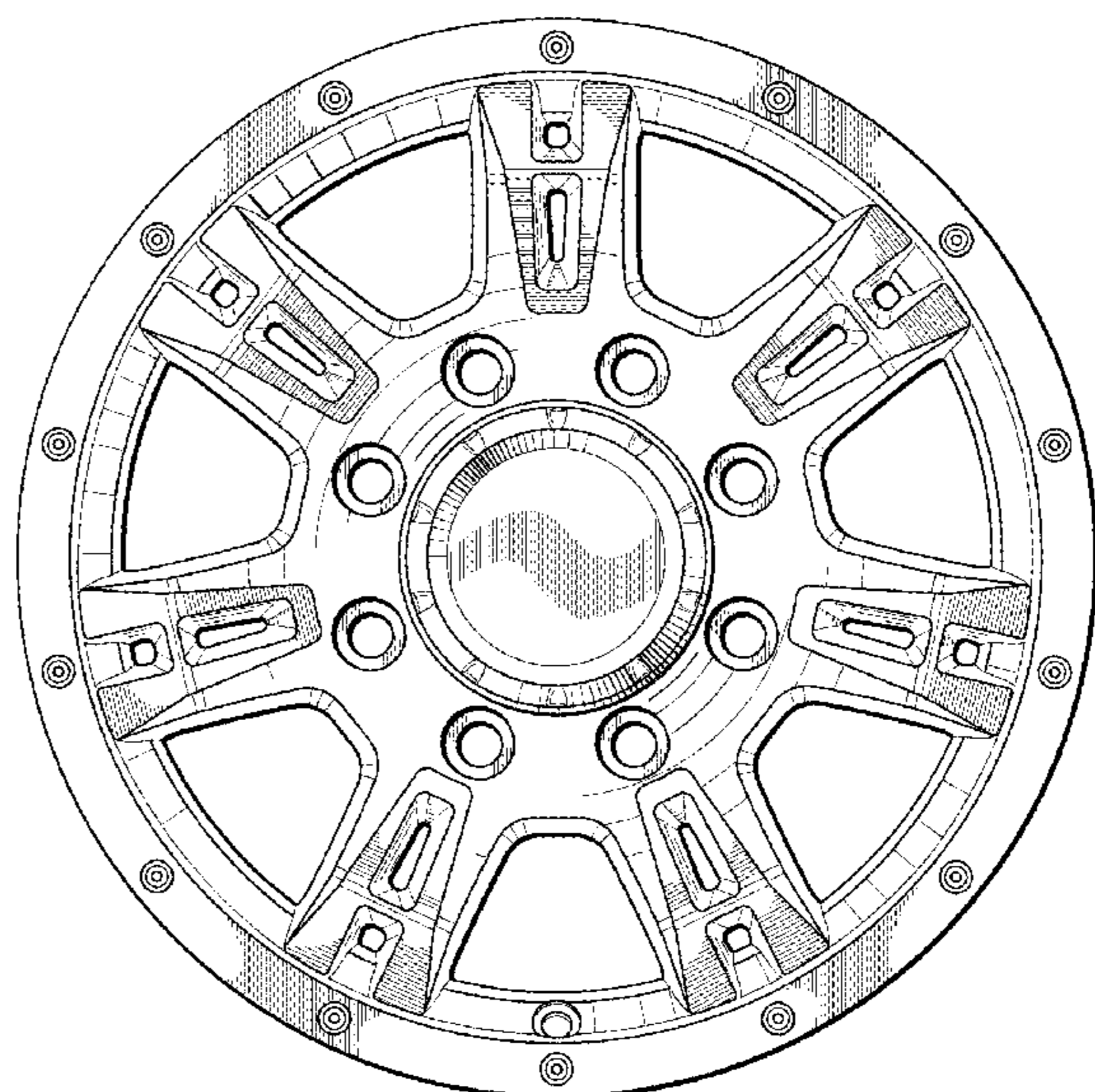
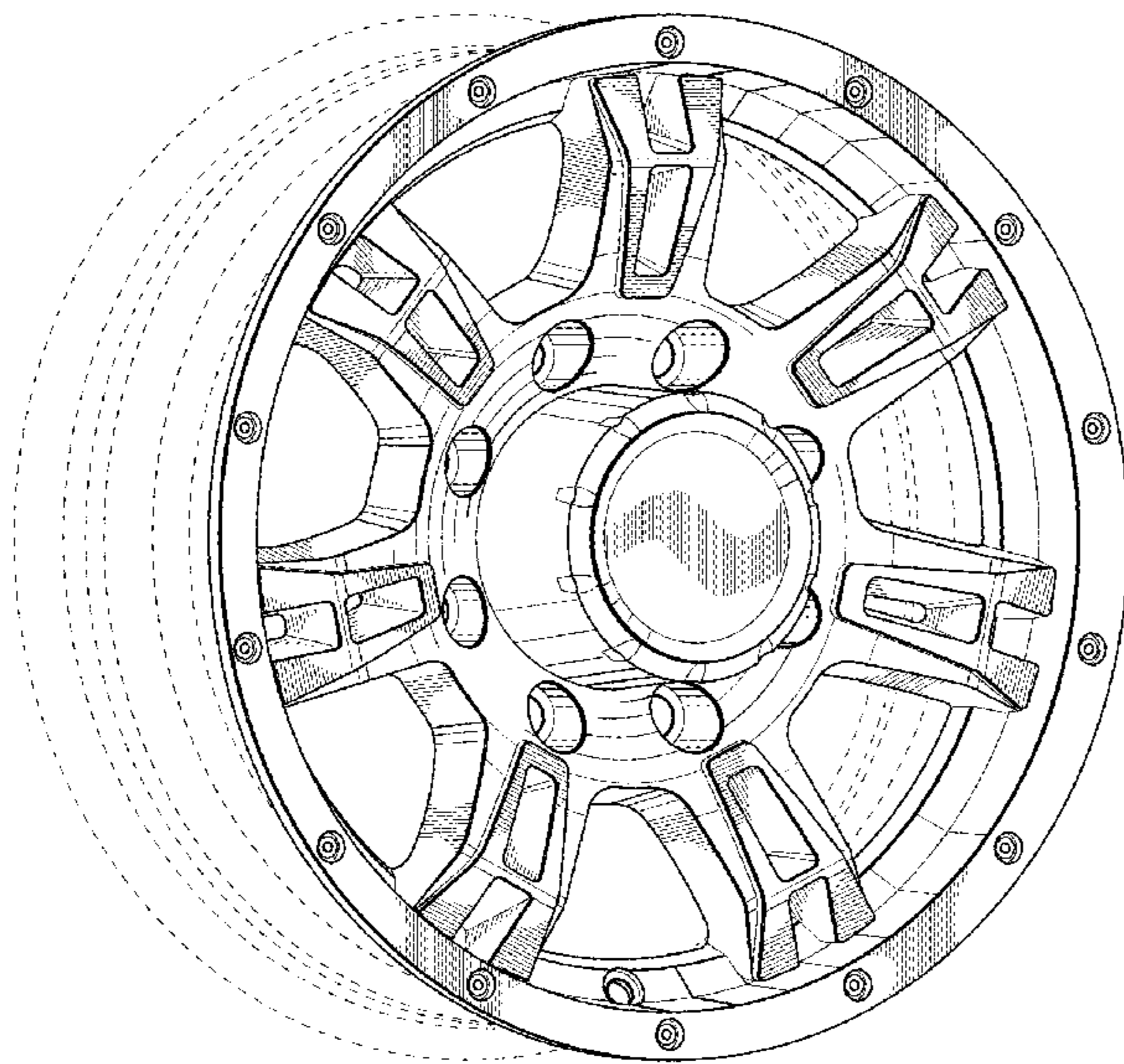
(57) **CLAIM**

The ornamental design for a wheel rim, as shown and described.

DESCRIPTION

FIG. 1 is a top, front, left side perspective view of a wheel rim of the new design; and, FIG. 2 is a front elevation view thereof. The broken line showing of the rear portion of the wheel rim in FIG. 1 is included for the purpose of illustrating environment and forms no part of the claimed design.

1 Claim, 2 Drawing Sheets



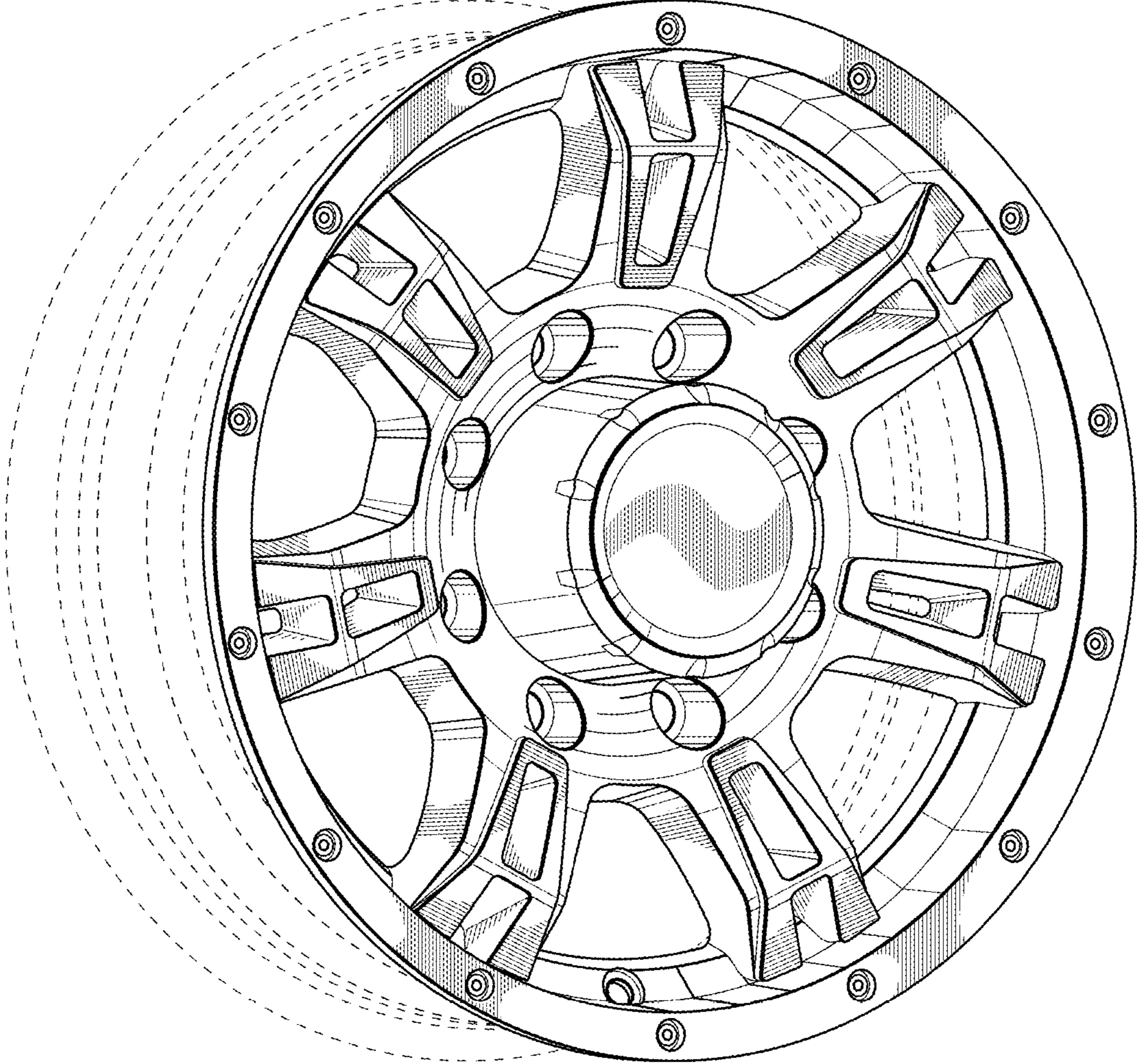


FIG. 1

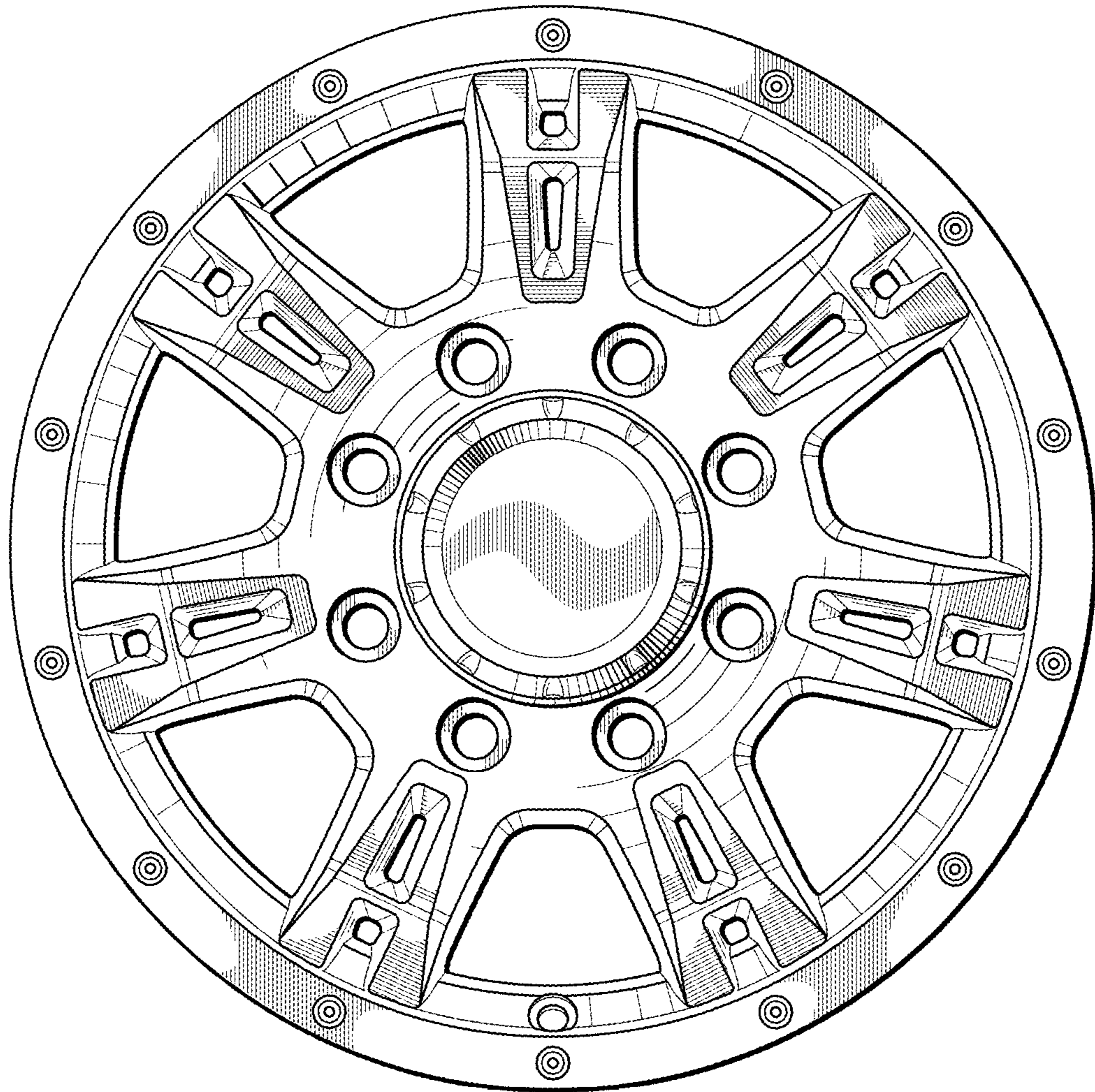


FIG. 2