



US00D769781S

(12) **United States Design Patent**
Allison

(10) **Patent No.:** **US D769,781 S**
(45) **Date of Patent:** **** Oct. 25, 2016**

(54) **CAR STEERING WHEEL AND/OR TOY REPLICA**

(71) Applicant: **Ferrari S.p.A.**, Modena (IT)

(72) Inventor: **James Shakespeare Allison**, Maranello (IT)

(73) Assignee: **Ferrari S.p.A.**, Modena (IT)

(**) Term: **14 Years**

(21) Appl. No.: **29/496,183**

(22) Filed: **Jul. 10, 2014**

(30) **Foreign Application Priority Data**

Jan. 22, 2014 (EM) 001400428
Jan. 22, 2014 (EM) 001400436

(51) **LOC (10) Cl.** **12-16**

(52) **U.S. Cl.**
USPC **D12/175**

(58) **Field of Classification Search**
USPC D12/174, 175, 176, 177, 192; D14/401,
D14/414, 407, 399, 217; D21/385, 477,
D21/566, 333; 296/70; 280/750, 775;
219/204; 74/558.5, 558, 552;
200/61.57, 61.55; 180/402
CPC B60R 16/037; B62D 1/00; B62D 1/02;
B62D 1/04; B62D 1/16; B62D 5/003
See application file for complete search history.

(56) **References Cited**

U.S. PATENT DOCUMENTS

D317,025 S * 5/1991 Ng Chuk-Sun D21/477
D342,474 S * 12/1993 Oki D12/176
D346,997 S * 5/1994 Kurtis D12/176
D379,203 S * 5/1997 Oikawa D14/401

D380,503 S * 7/1997 Tyler D21/385
D420,708 S * 2/2000 Holmes D21/329
D434,086 S * 11/2000 Ford D21/328
D455,465 S * 4/2002 Yamazaki D21/566
D462,039 S * 8/2002 Larocque D12/176
6,544,124 B2 * 4/2003 Ireland A63F 13/06
273/148 B
D500,028 S * 12/2004 Hoehn D12/176
D506,231 S * 6/2005 Gollhofer D21/566
D548,653 S * 8/2007 Costa D12/176
D591,653 S * 5/2009 Corradi D12/176
D592,114 S * 5/2009 Tombazis D12/176
D627,831 S * 11/2010 Tombazis D21/333
D672,397 S * 12/2012 Wai D14/401
D685,434 S * 7/2013 Ali D14/401
D740,288 S * 10/2015 O'Donnell, Sr. D14/401
D740,825 S * 10/2015 Bellinghausen D14/401

* cited by examiner

Primary Examiner — Eric Goodman

Assistant Examiner — Clese Moore, Jr.

(74) *Attorney, Agent, or Firm* — Cowan, Liebowitz & Latman, P.C.

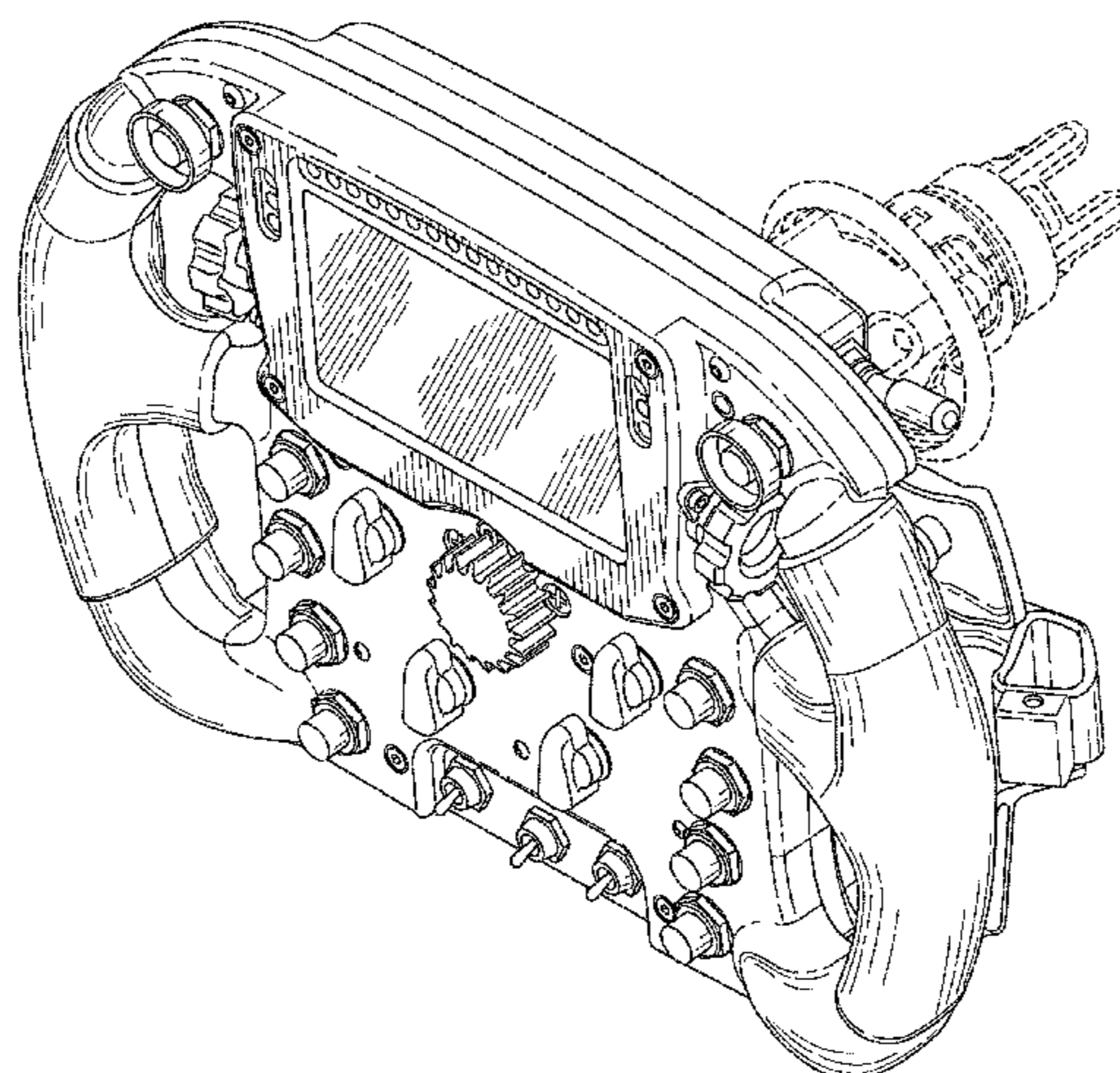
(57) **CLAIM**

The ornamental design for a car steering wheel and/or toy replica, as shown and described.

DESCRIPTION

FIG. 1 is a front perspective view of the car steering wheel and/or toy replica showing my design thereof;
FIG. 2 is a front view thereof;
FIG. 3 is a back view thereof;
FIG. 4 is a left side view thereof;
FIG. 5 is a right side view thereof;
FIG. 6 is a top view thereof; and,
FIG. 7 is a bottom view thereof.
The broken lines in the drawings illustrate portions of the car steering wheel and/or toy replica and form no part of the claimed design.

1 Claim, 7 Drawing Sheets



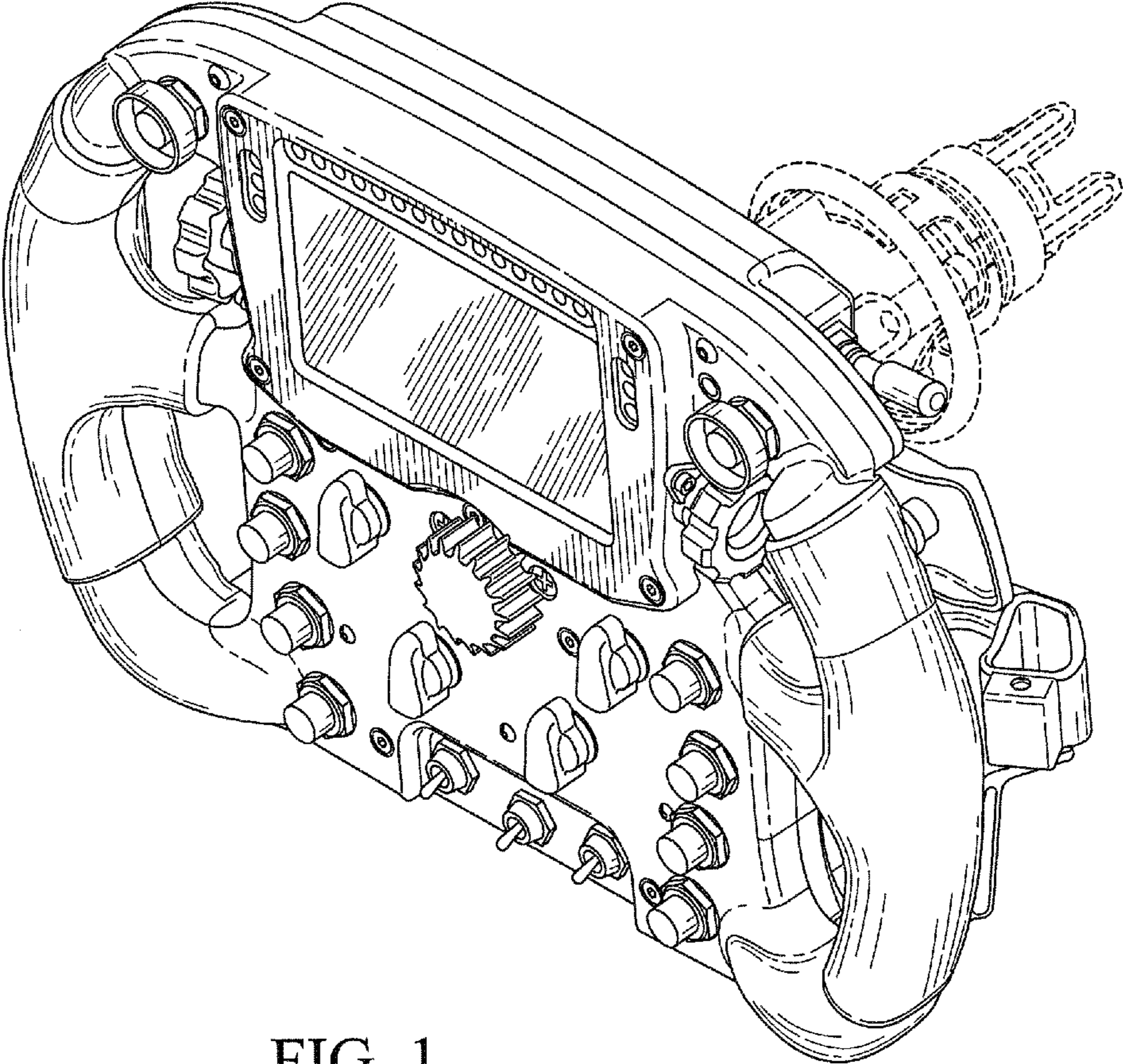


FIG. 1

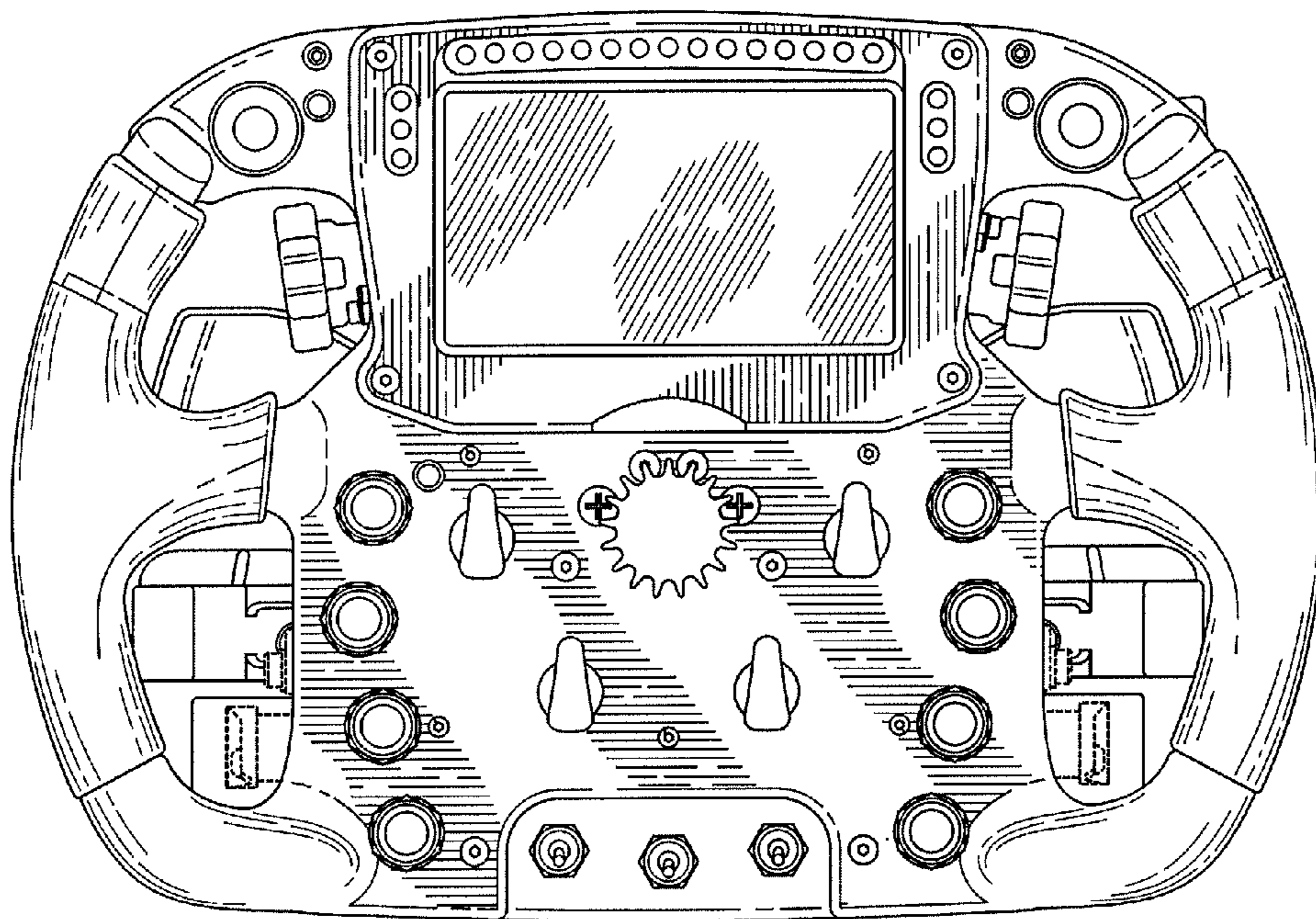


FIG. 2

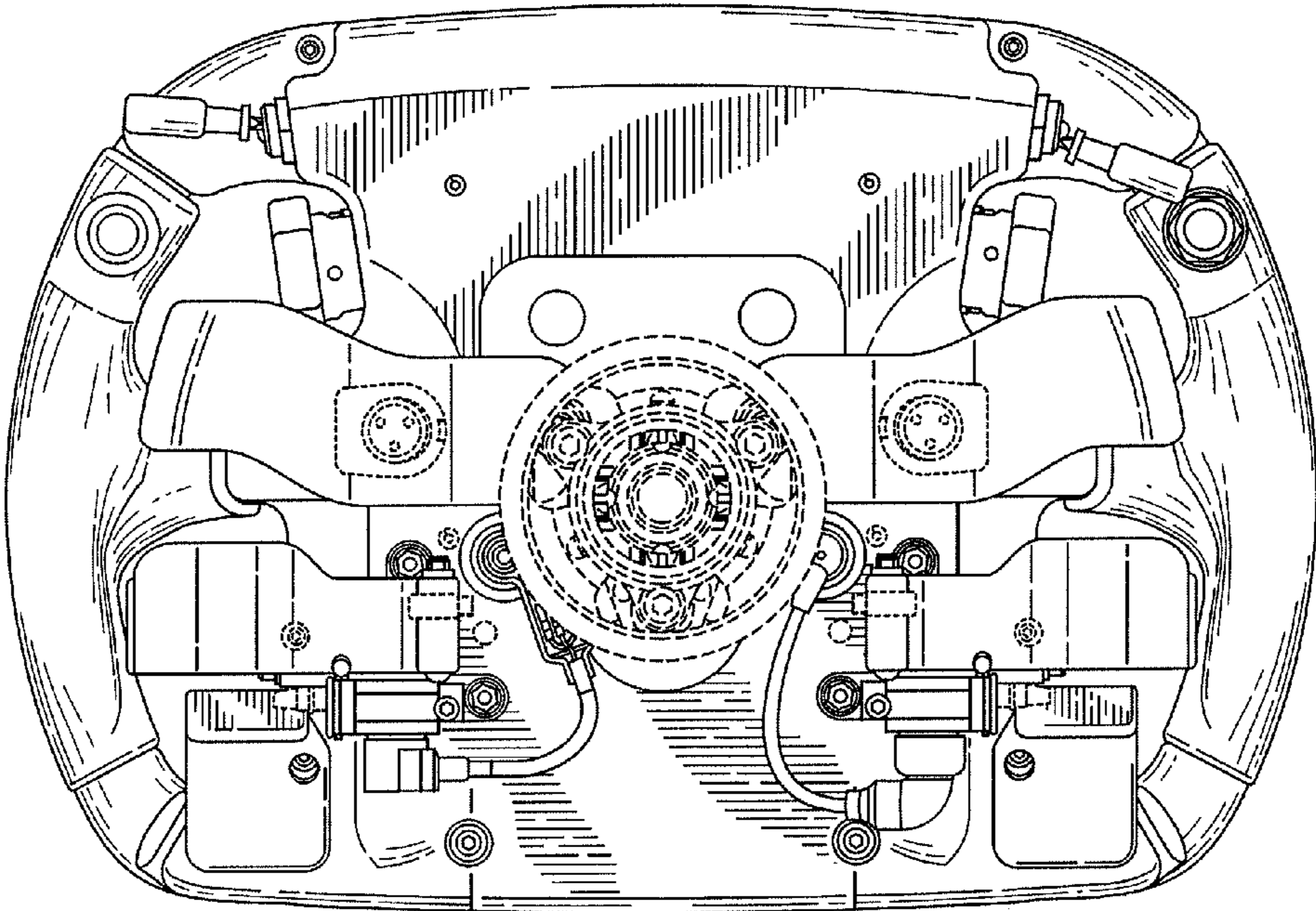


FIG. 3

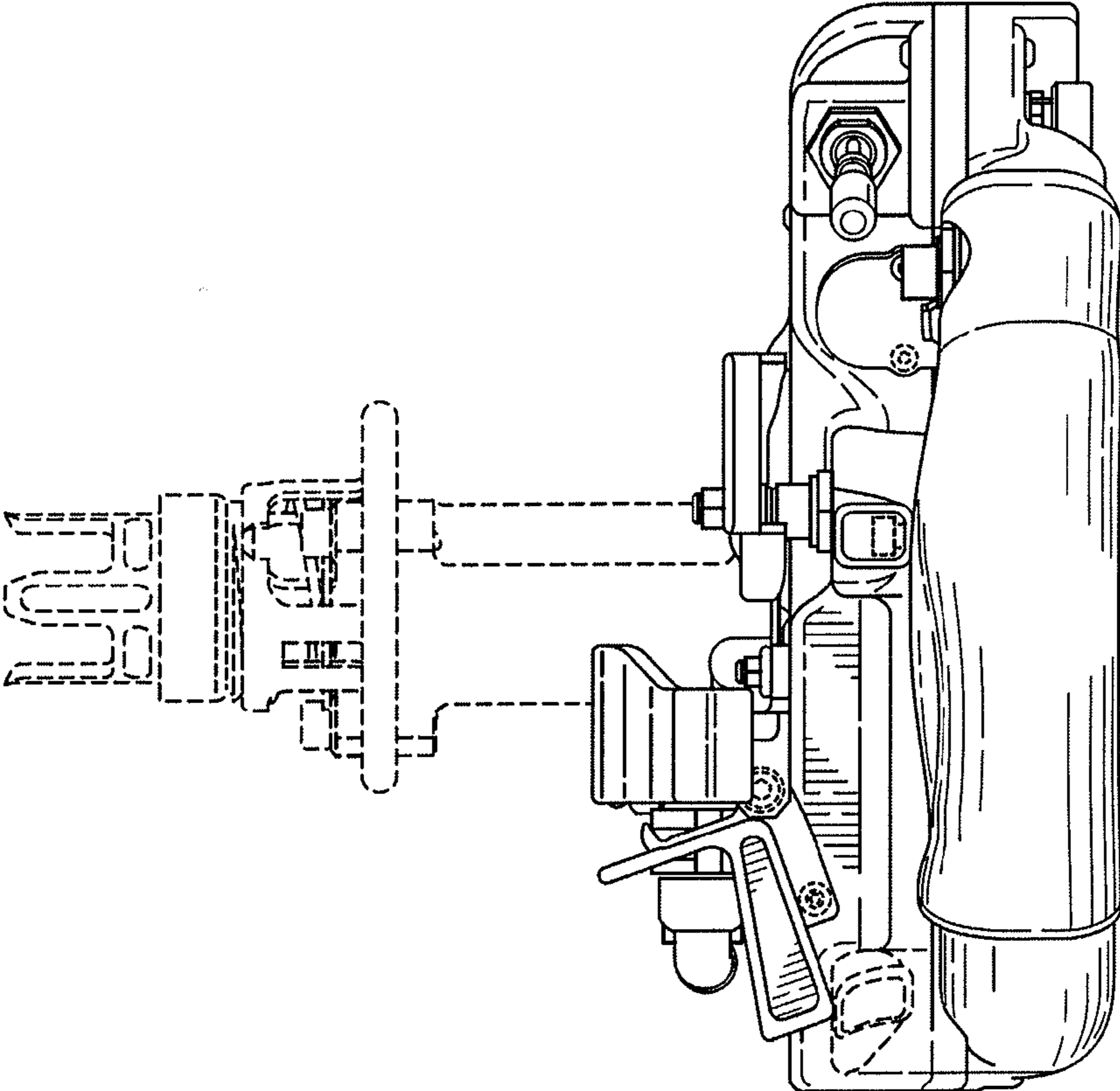


FIG. 4

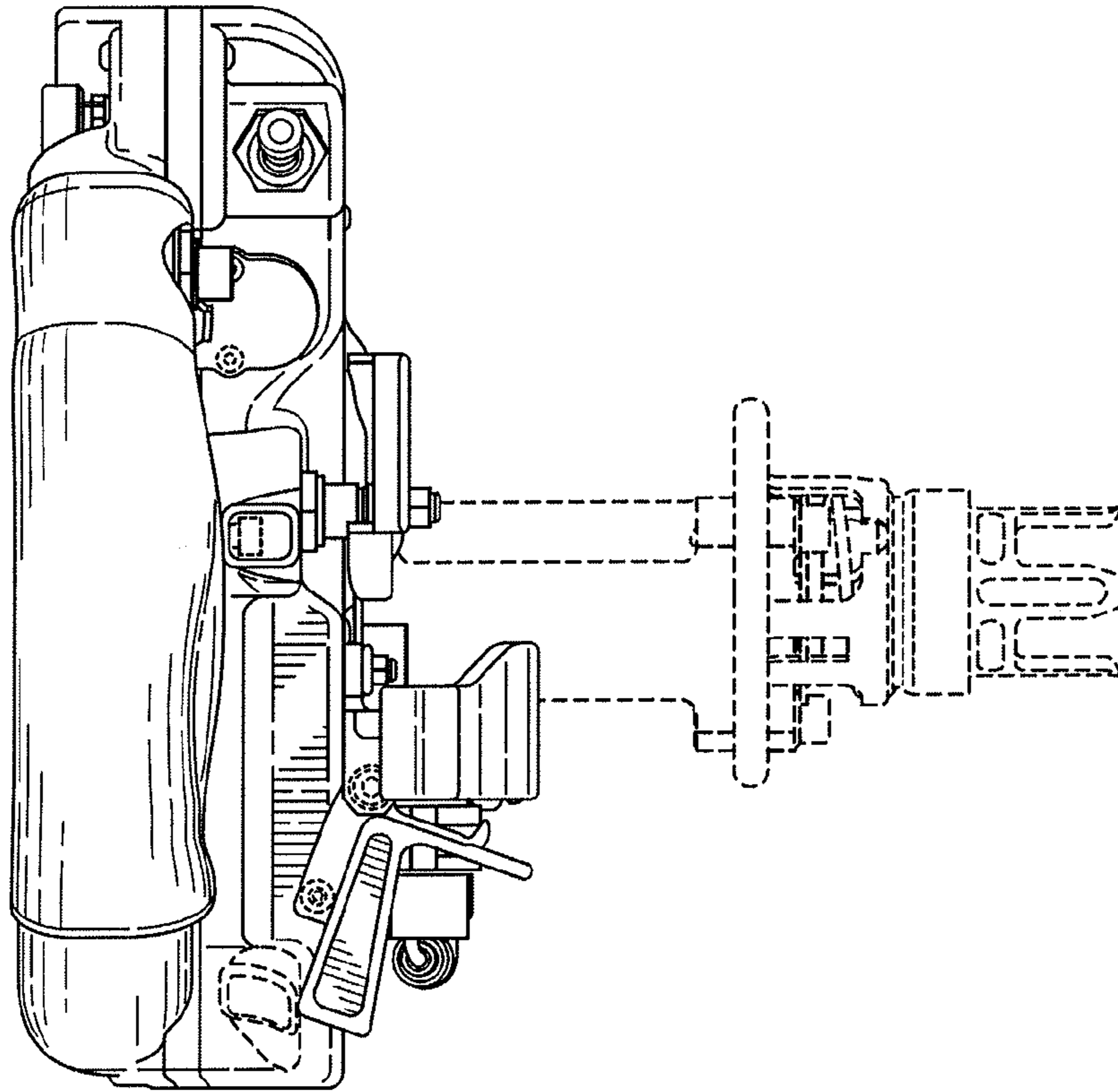


FIG. 5

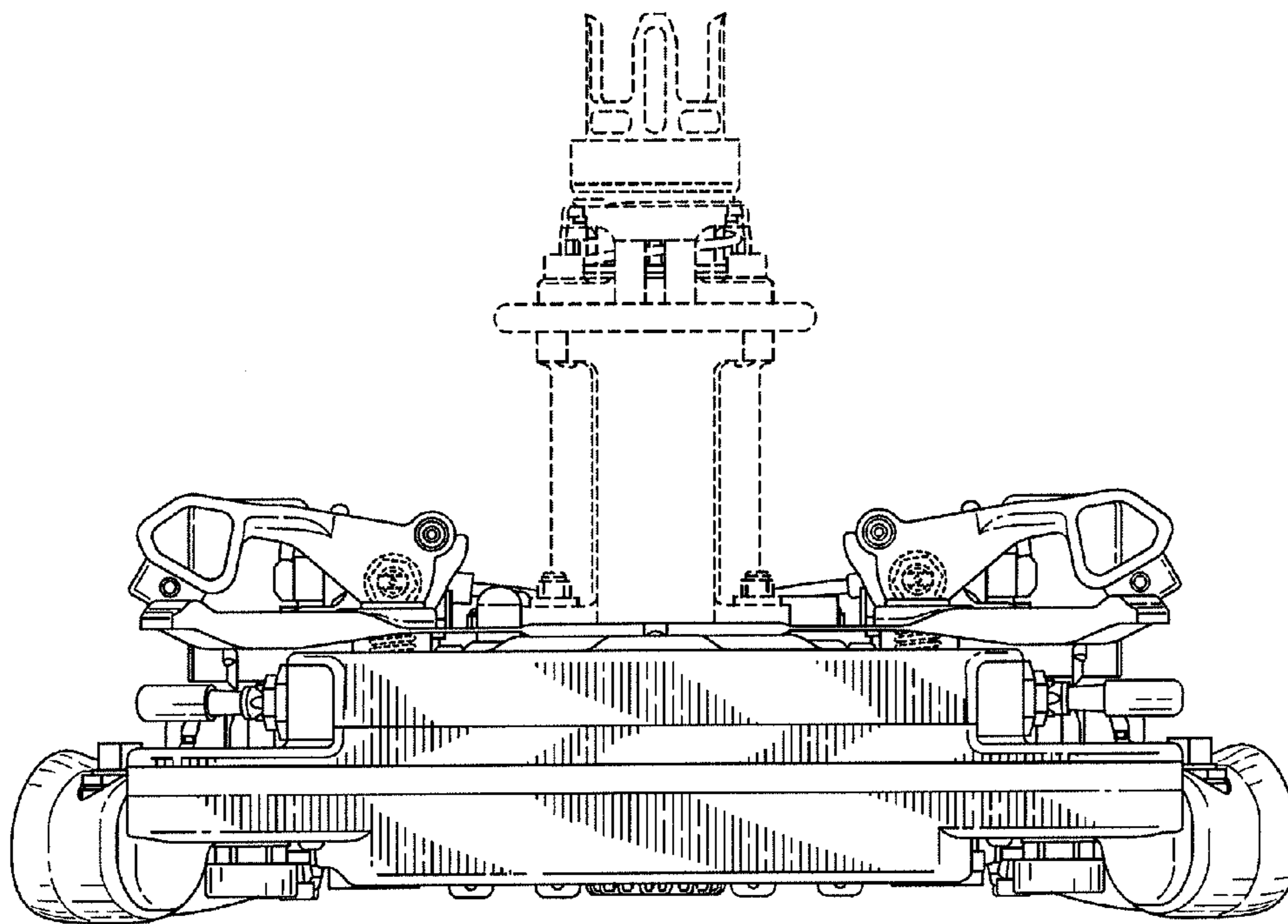


FIG. 6

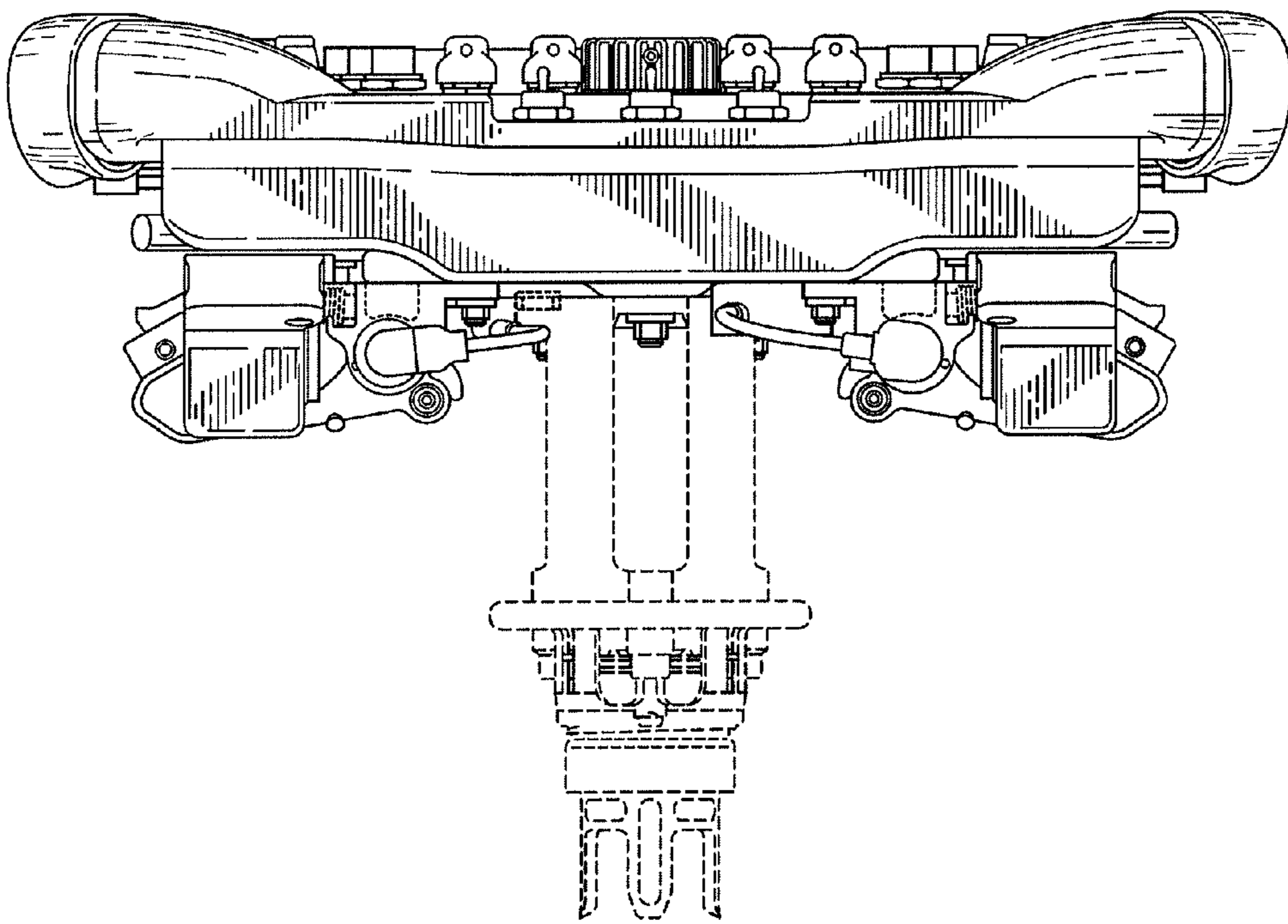


FIG. 7