

US00D769778S

(12) **United States Design Patent** (10) **Patent No.:** **US D769,778 S**  
**Messale et al.** (45) **Date of Patent:** **\*\* Oct. 25, 2016**

(54) **VEHICLE FRONT LOWER GRILLE**

(56) **References Cited**

(71) Applicant: **Ford Motor Company**, Dearborn, MI (US)

U.S. PATENT DOCUMENTS

(72) Inventors: **Claudio Messale**, Cologne (DE);  
**Roberto Giachin**, Zuelpich (DE);  
**Thomas Morel**, Dusseldorf (DE);  
**Domenico Tonello**, Cologne (DE)

D651,142 S *	12/2011	Fushimi .....	D12/163
D691,930 S *	10/2013	Song .....	D12/163
D700,546 S *	3/2014	Okamoto .....	D12/163
D704,601 S *	5/2014	Nurnberger .....	D12/163
D705,137 S *	5/2014	Kawasaki .....	D12/163
D726,079 S *	4/2015	Reichman .....	D12/163
D737,736 S *	9/2015	Iwai .....	D12/163
D758,927 S *	6/2016	Messale .....	D12/163

(73) Assignee: **Ford Motor Company**, Dearborn, MI (US)

\* cited by examiner

(\*\*) Term: **14 Years**

*Primary Examiner* — Melody N Brown

(21) Appl. No.: **29/520,109**

(74) *Attorney, Agent, or Firm* — Damian Porcari

(22) Filed: **Mar. 11, 2015**

(57) **CLAIM**

The ornamental design for a vehicle front lower grille, as shown and described.

(30) **Foreign Application Priority Data**

**DESCRIPTION**

Sep. 18, 2014 (DE) ..... 40 2014 100 888

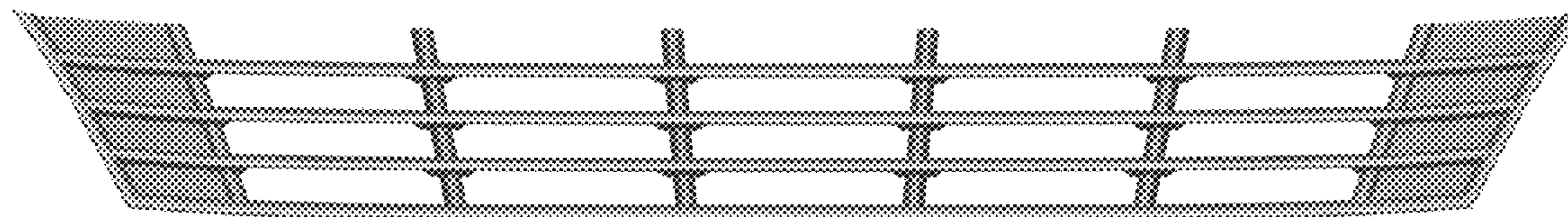
(51) **LOC (10) Cl.** ..... **12-16**

(52) **U.S. Cl.**  
USPC ..... **D12/163**

(58) **Field of Classification Search**  
USPC ..... D12/169, 163, 196, 171, 90-92, 216;  
293/102, 113, 115, 117, 120;  
296/180.1, 180.2; 180/68.1, 68.6  
CPC .. B60R 19/52; B60R 2019/25; B62D 25/084  
See application file for complete search history.

FIG. 1 is a bottom left perspective view of a vehicle front lower grille;  
FIG. 2 is a bottom right perspective view thereof;  
FIG. 3 is a top rear perspective view thereof;  
FIG. 4 is a front elevational view thereof;  
FIG. 5 is a rear elevational view thereof;  
FIG. 6 is a left side elevational view thereof;  
FIG. 7 is a right side elevational view thereof;  
FIG. 8 is a top plan view thereof; and,  
FIG. 9 is a bottom plan view thereof.

**1 Claim, 9 Drawing Sheets**



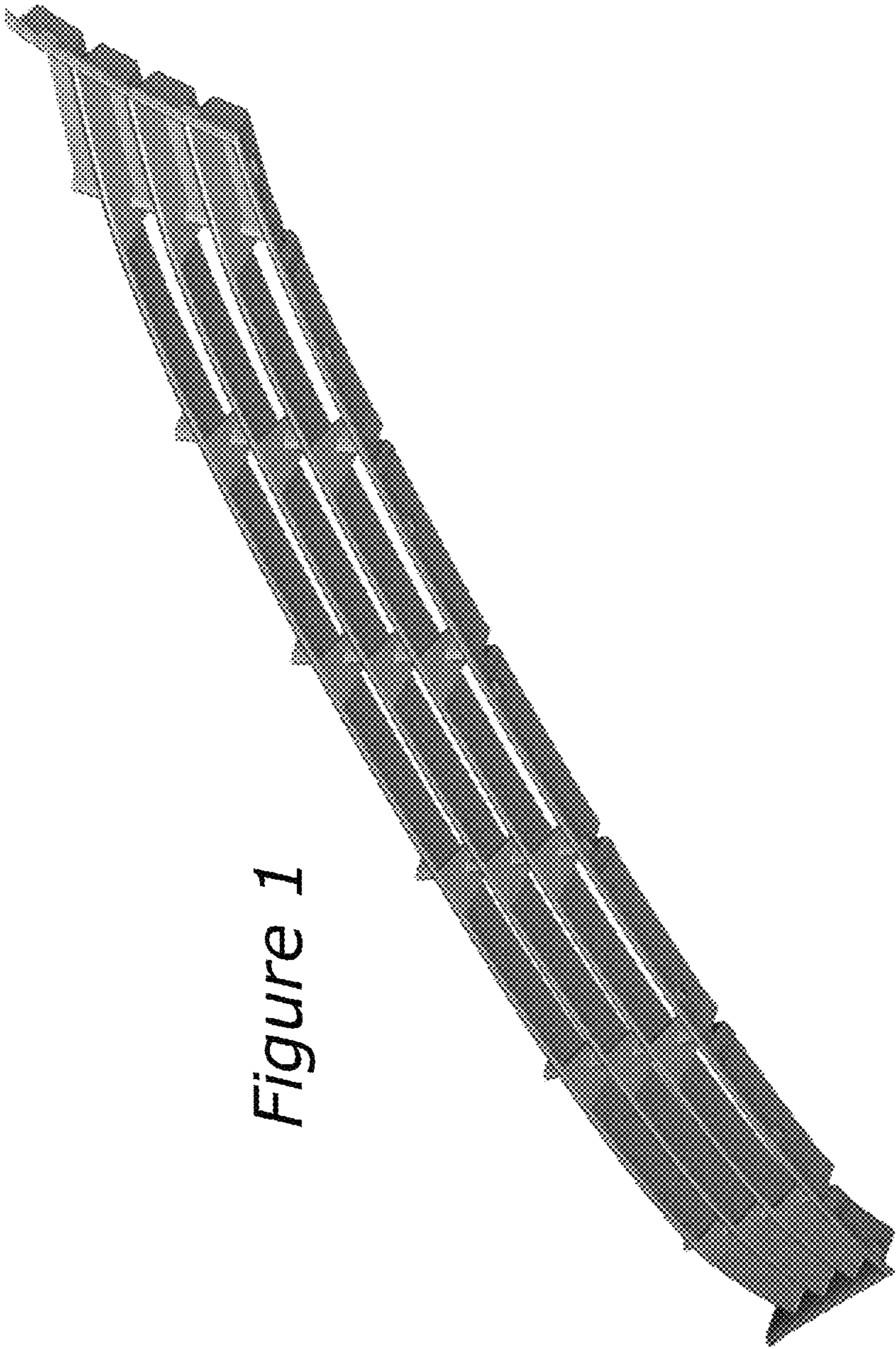
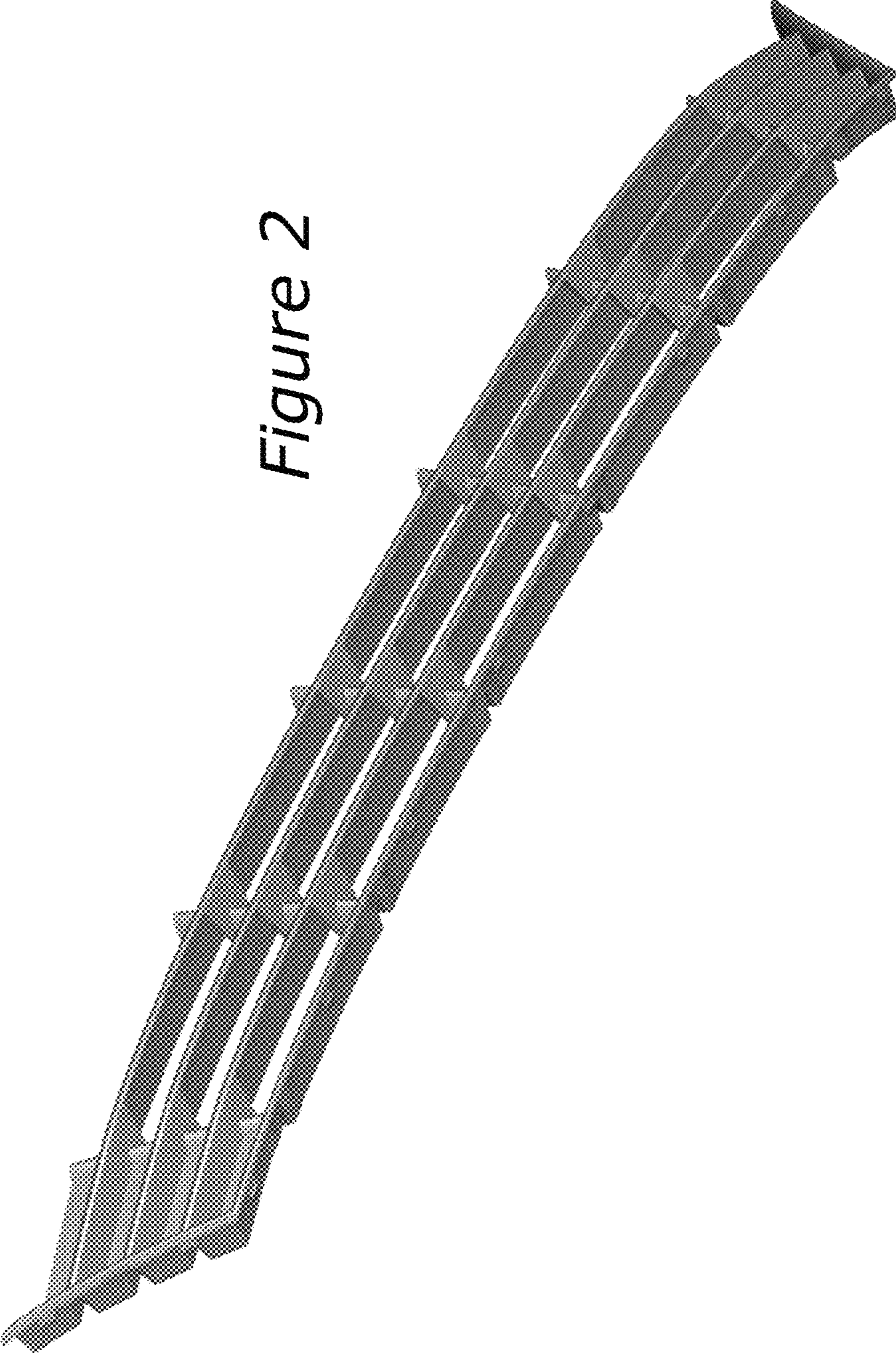


Figure 1



Figure 2



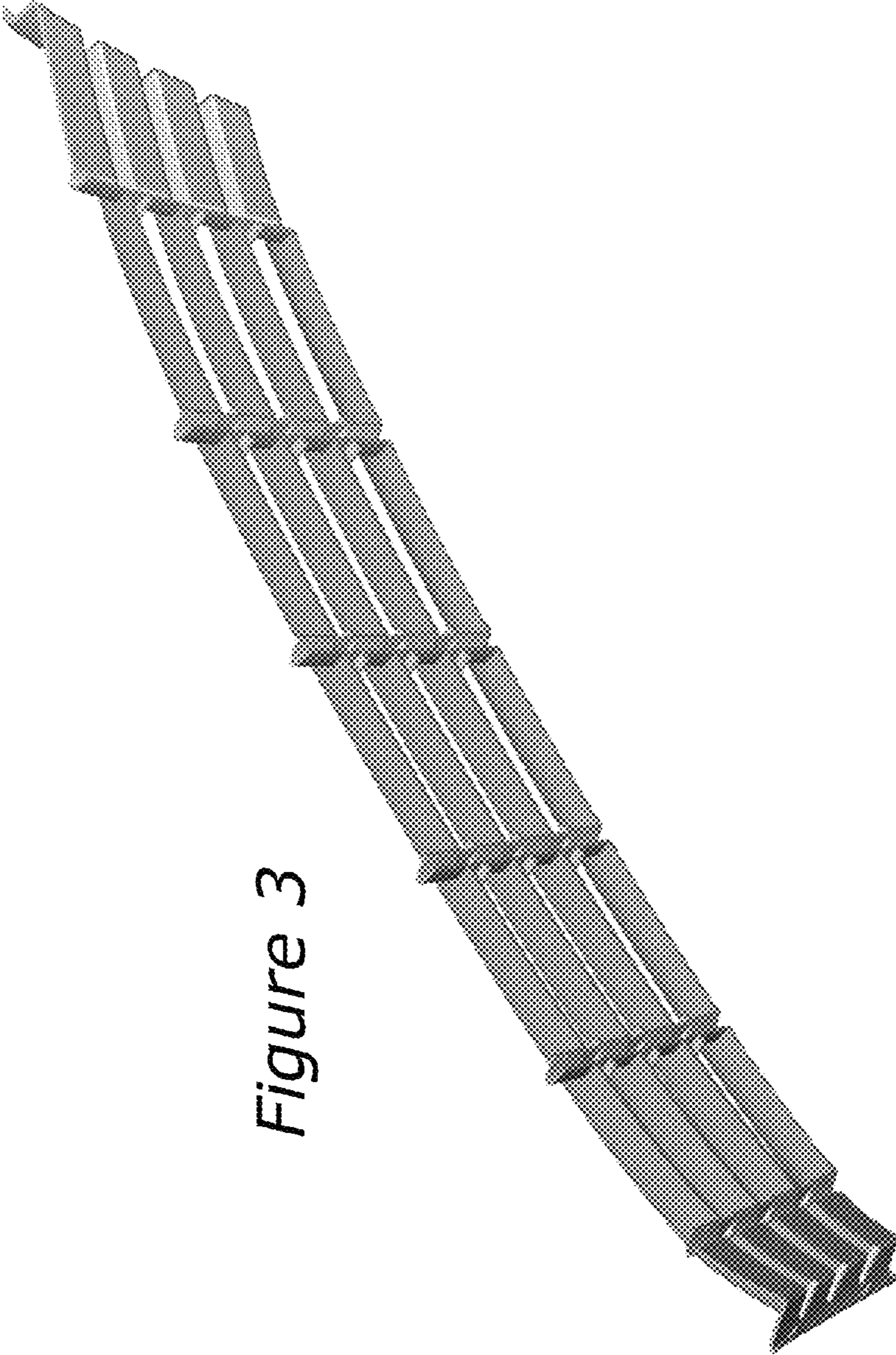


Figure 3

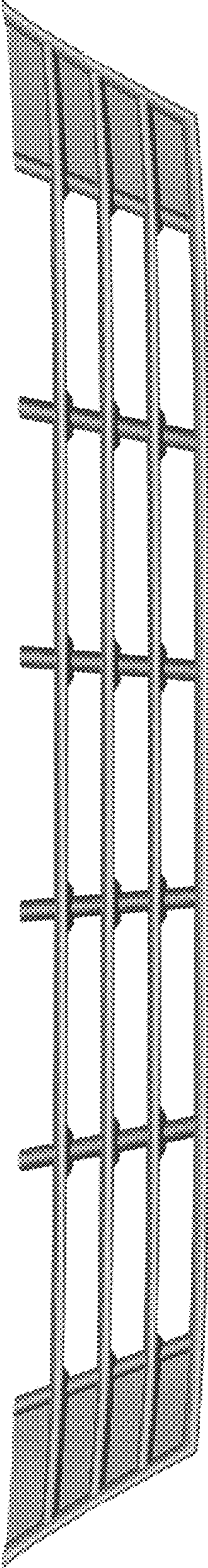


Figure 4



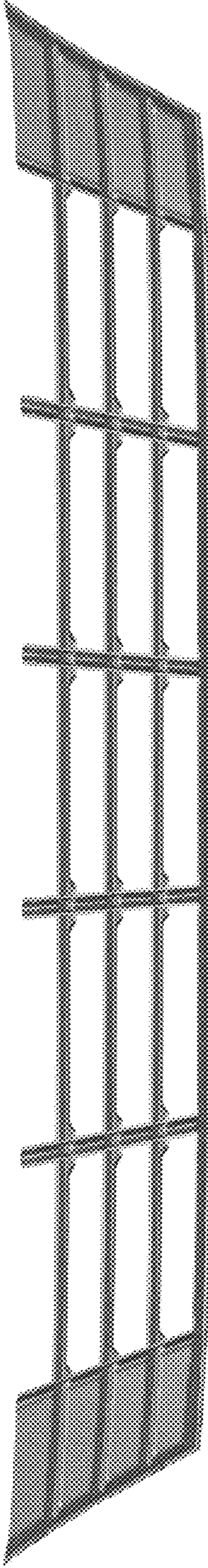
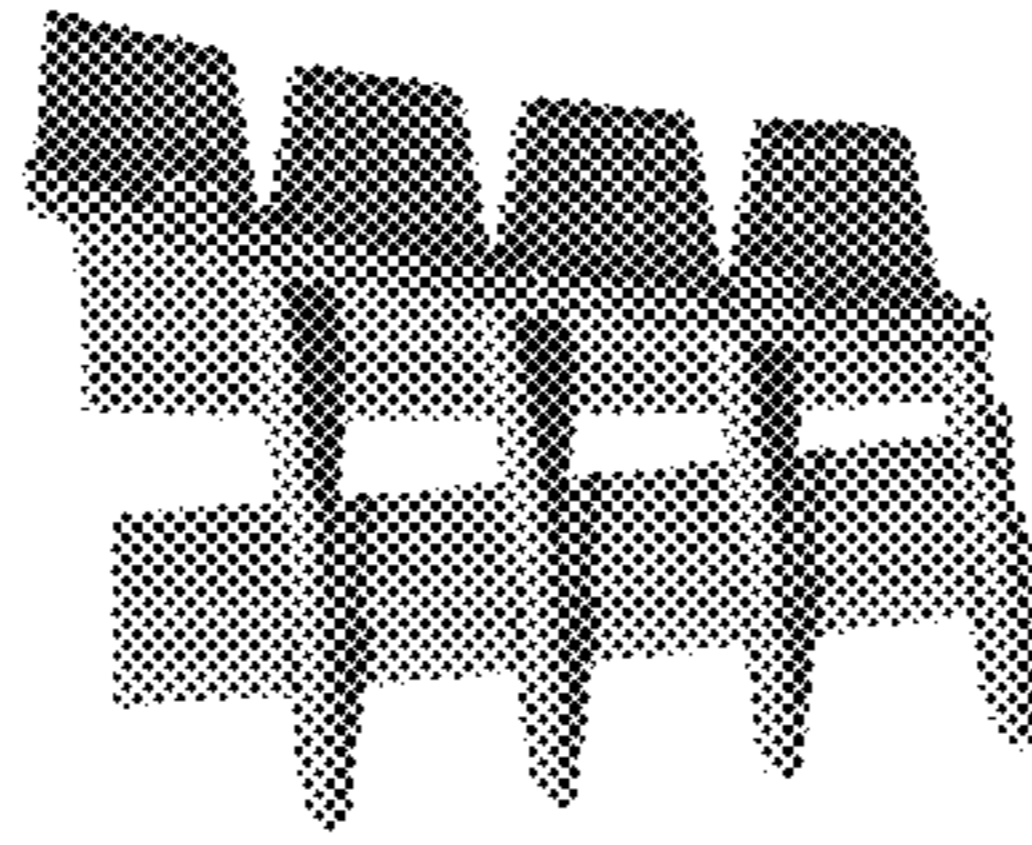
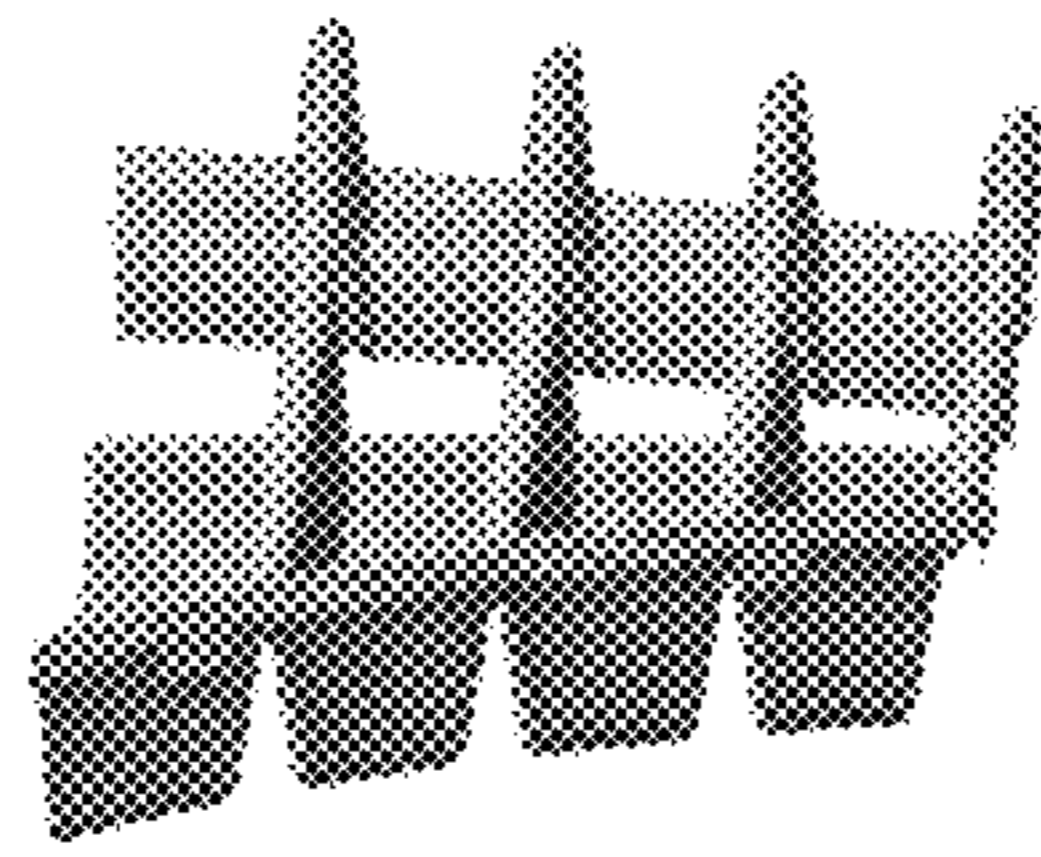


Figure 5



*Figure 6*



*Figure 7*



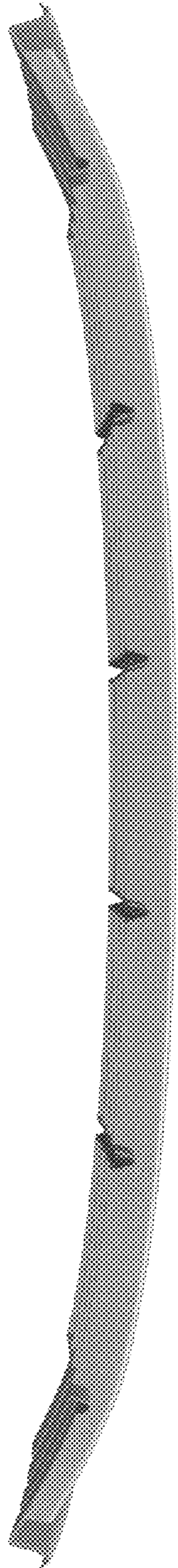


Figure 8

Figure 9

