



US00D769776S

(12) **United States Design Patent**
Barenbrug

(10) **Patent No.:** **US D769,776 S**
(45) **Date of Patent:** **** Oct. 25, 2016**

- (54) **WHEELED BOARD**
- (71) Applicant: **Royalty Bugaboo GmbH**, Zug (CH)
- (72) Inventor: **Max Barenbrug**, Amsterdam (NL)
- (73) Assignee: **Royalty Bugaboo GmbH** (CH)
- (**) Term: **14 Years**
- (21) Appl. No.: **29/517,243**

Primary Examiner — Charles Hanson
 (74) *Attorney, Agent, or Firm* — Charles Weigell, Esq.;
 Fross Zelnick Lehrman & Zissu, P.C.

- (22) Filed: **Feb. 11, 2015**
- (51) **LOC (10) Cl.** **12-12**
- (52) **U.S. Cl.**
USPC **D12/133**
- (58) **Field of Classification Search**
USPC D12/128–133
CPC B62B 7/00–7/04; B62B 9/00–9/28
See application file for complete search history.

(57) **CLAIM**
 The ornamental design for a wheeled board, as shown and described.

- (56) **References Cited**
U.S. PATENT DOCUMENTS

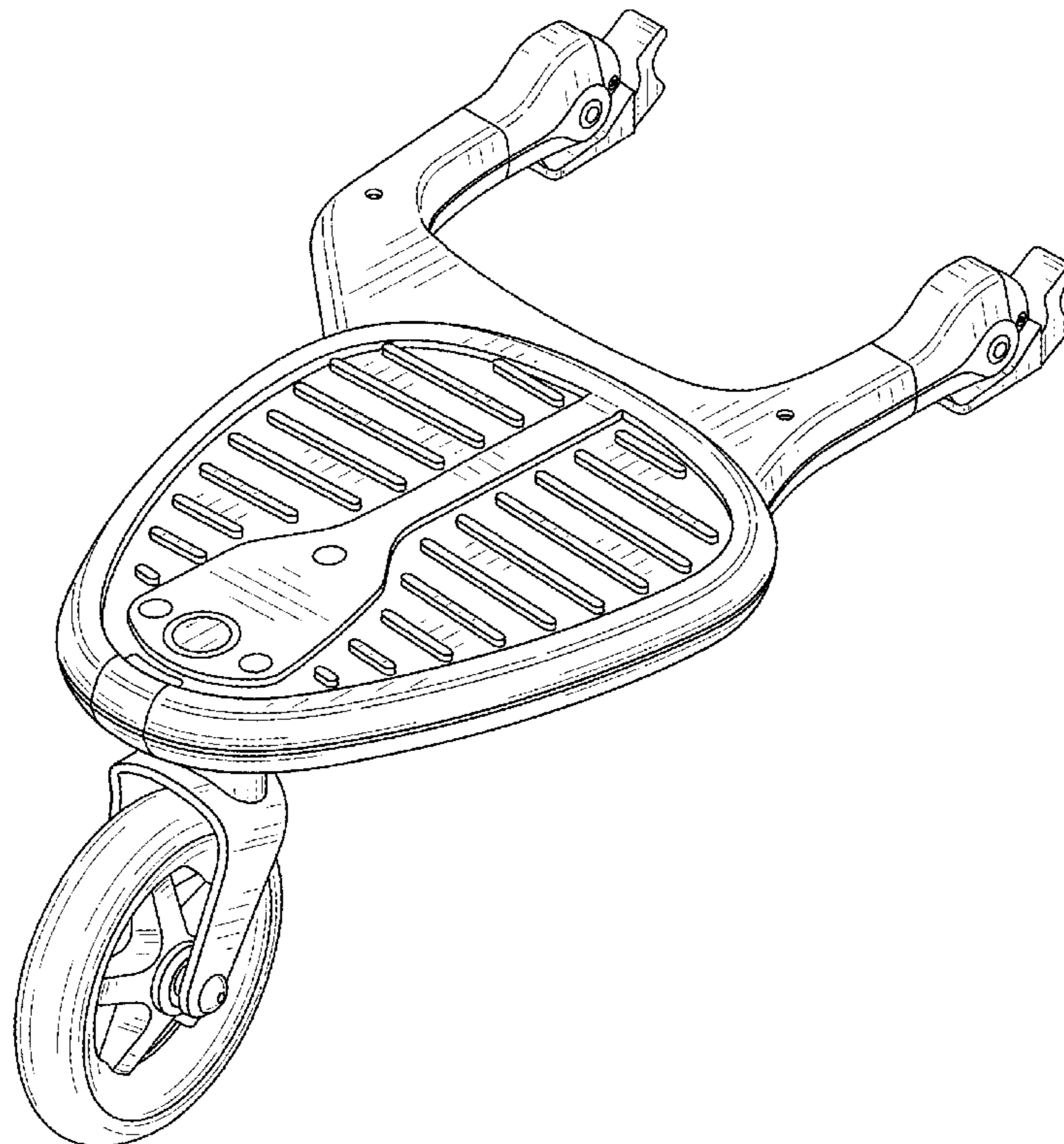
D426,177 S *	6/2000	Lundh	D12/133
D426,793 S *	6/2000	Lundh	D12/133
D428,367 S *	7/2000	Lundh	D12/133
D599,257 S *	9/2009	Gower	D12/129
7,971,884 B2 *	7/2011	Lundh	B62B 9/28 280/32.7
8,029,007 B2 *	10/2011	Jones	B62D 63/00 280/204
D682,749 S *	5/2013	Lai	D12/133

DESCRIPTION

FIG. 1 is a front perspective view of a wheeled board showing the new design;
 FIG. 2 is a front view thereof;
 FIG. 3 is a rear view thereof;
 FIG. 4 is a left side view thereof;
 FIG. 5 is a right side view thereof;
 FIG. 6 is a top view thereof;
 FIG. 7 is a bottom view thereof; and
 FIG. 8 is a front perspective view showing a wheeled board with seat as shown in FIG. 1; and,
 FIG. 9 is a front perspective view showing a wheeled board with seat and carriage as shown in FIG. 1.
 The ridges shown on the underside of the seat in FIG. 7 reflect unclaimed subject matter.
 The broken line showing of the seat and carriage is included for the purpose of illustrating environment and forms no part of the claimed design.

* cited by examiner

1 Claim, 7 Drawing Sheets



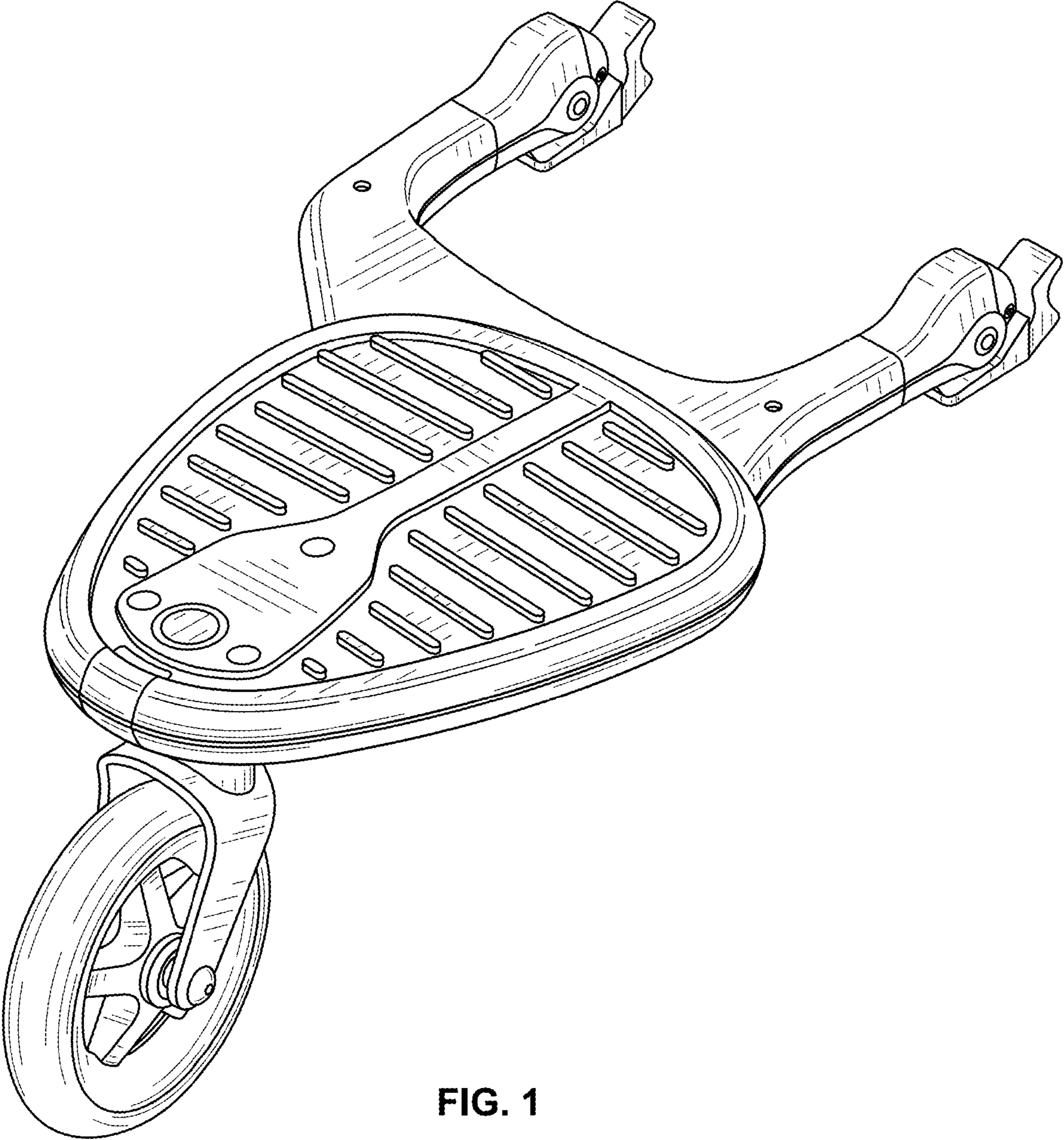


FIG. 1

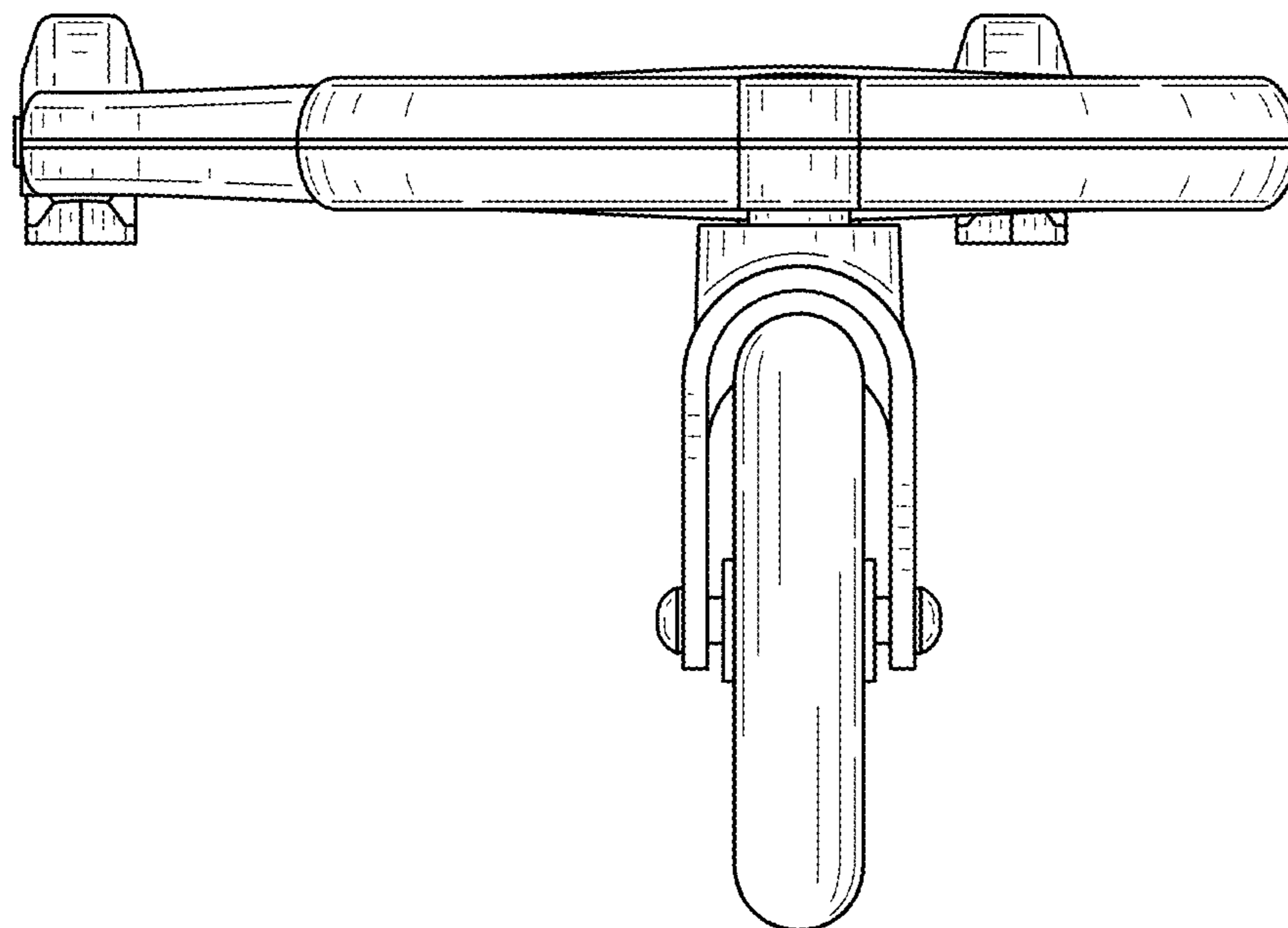


FIG. 2

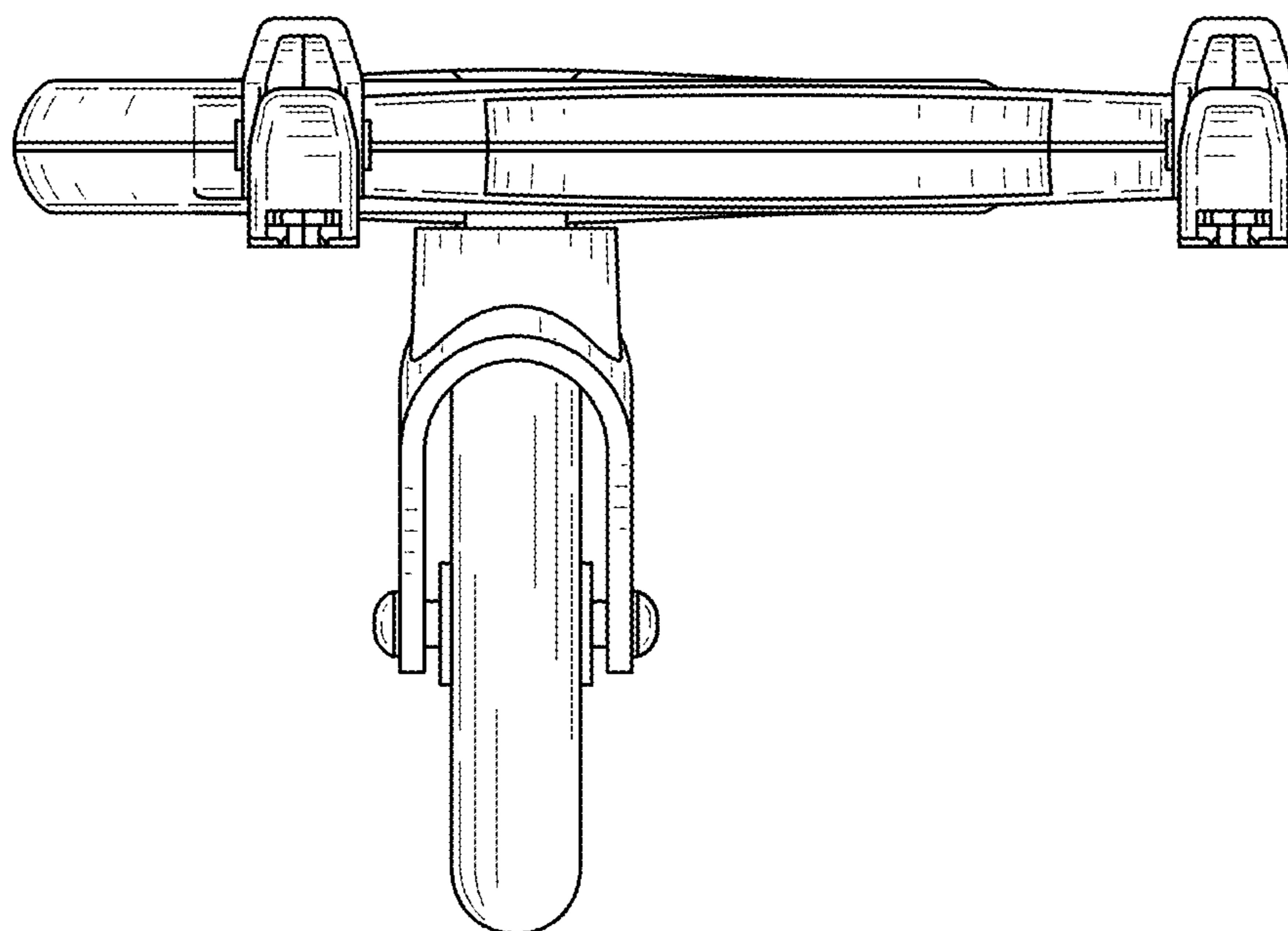


FIG. 3

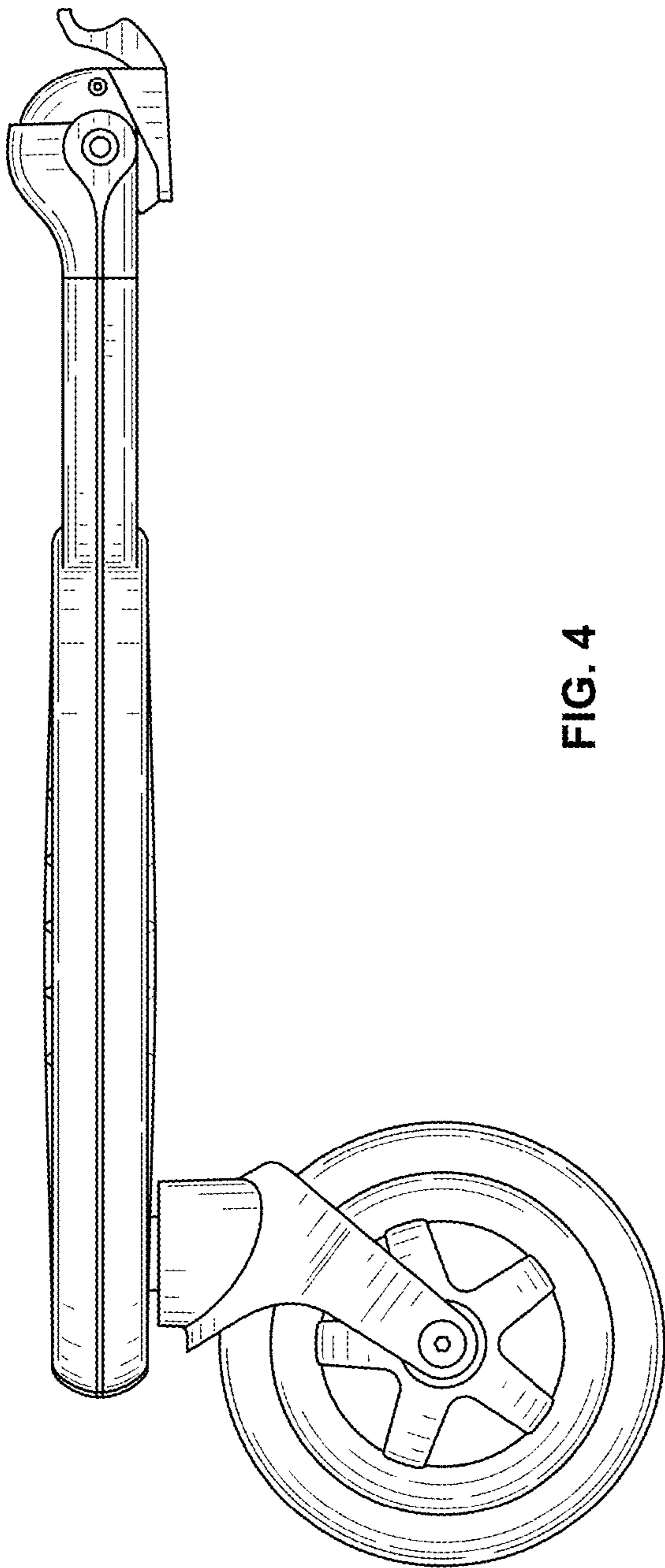


FIG. 4

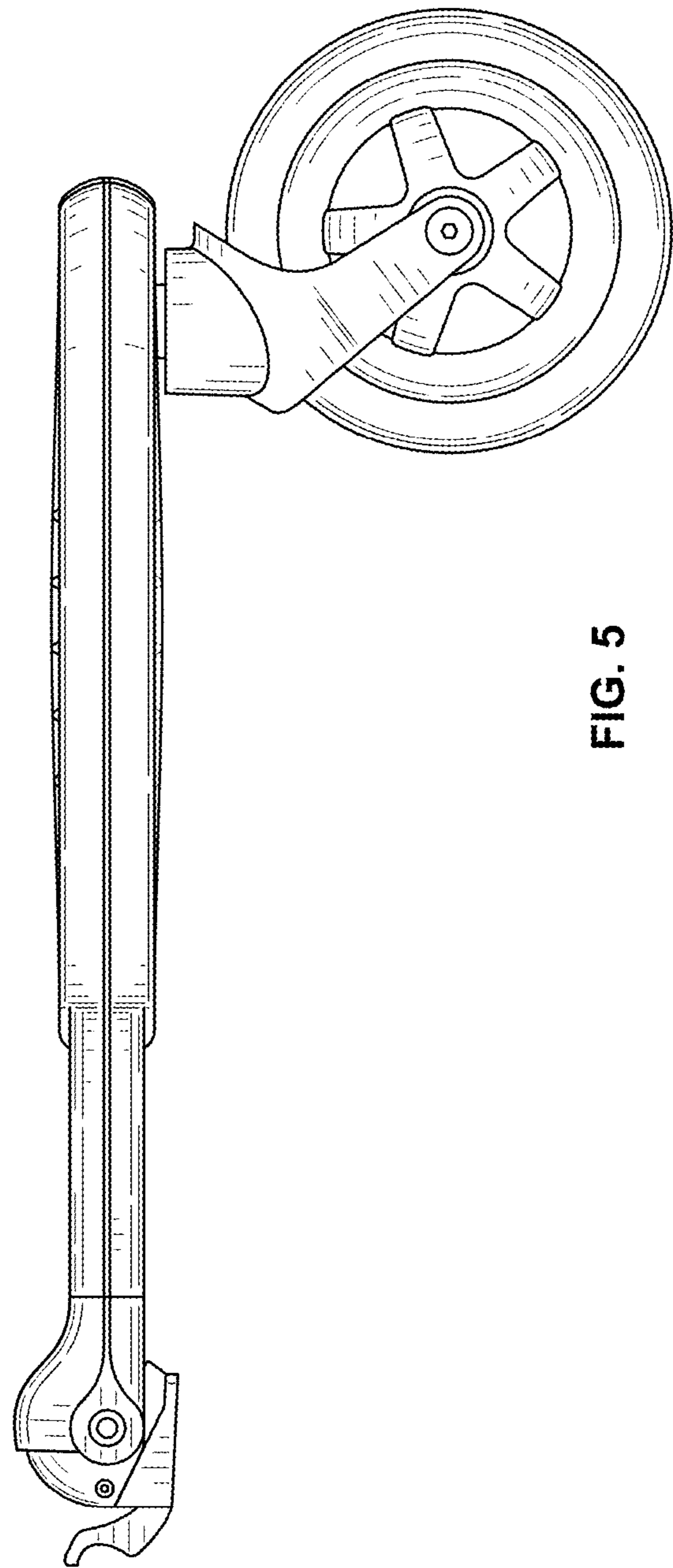


FIG. 5

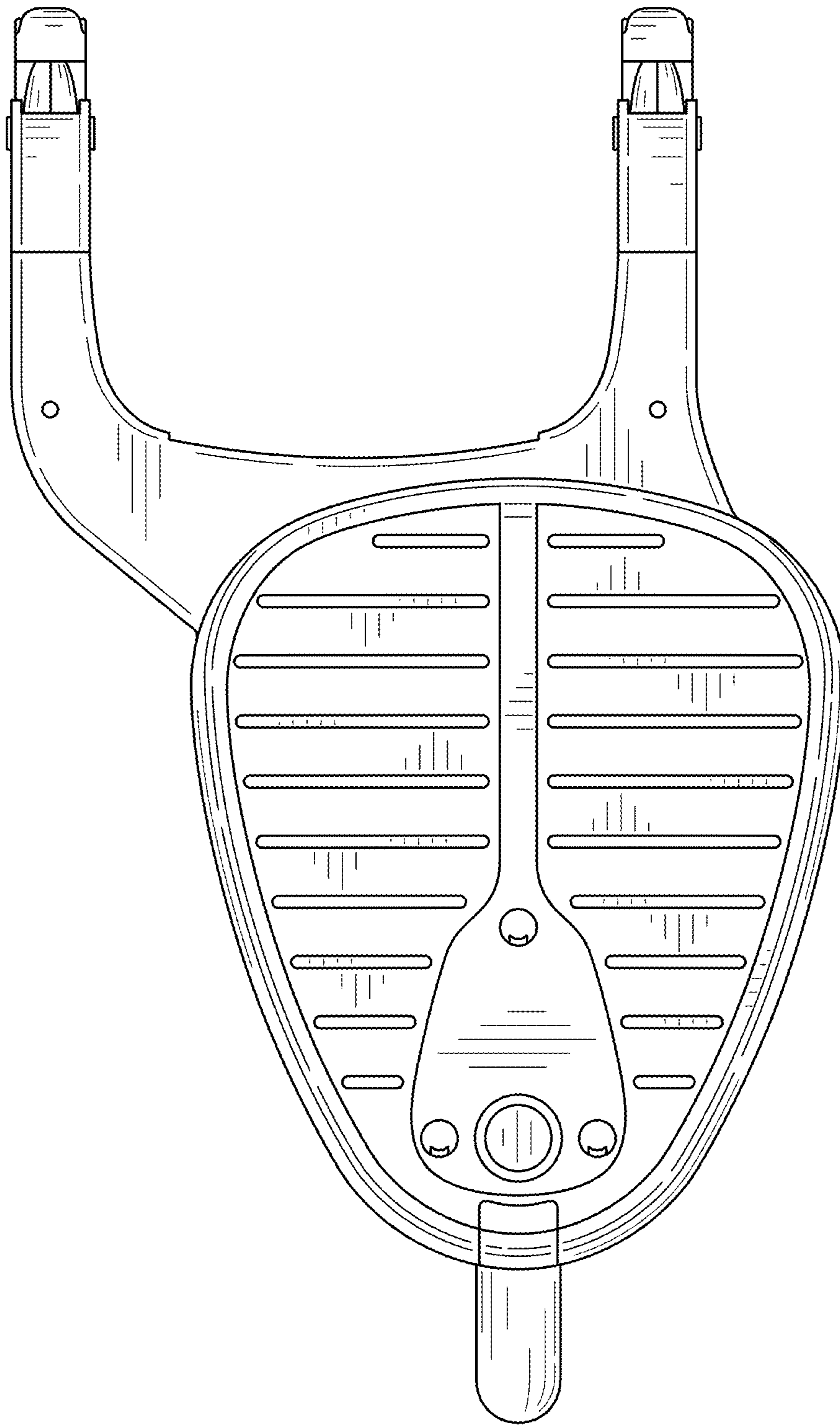


FIG. 6

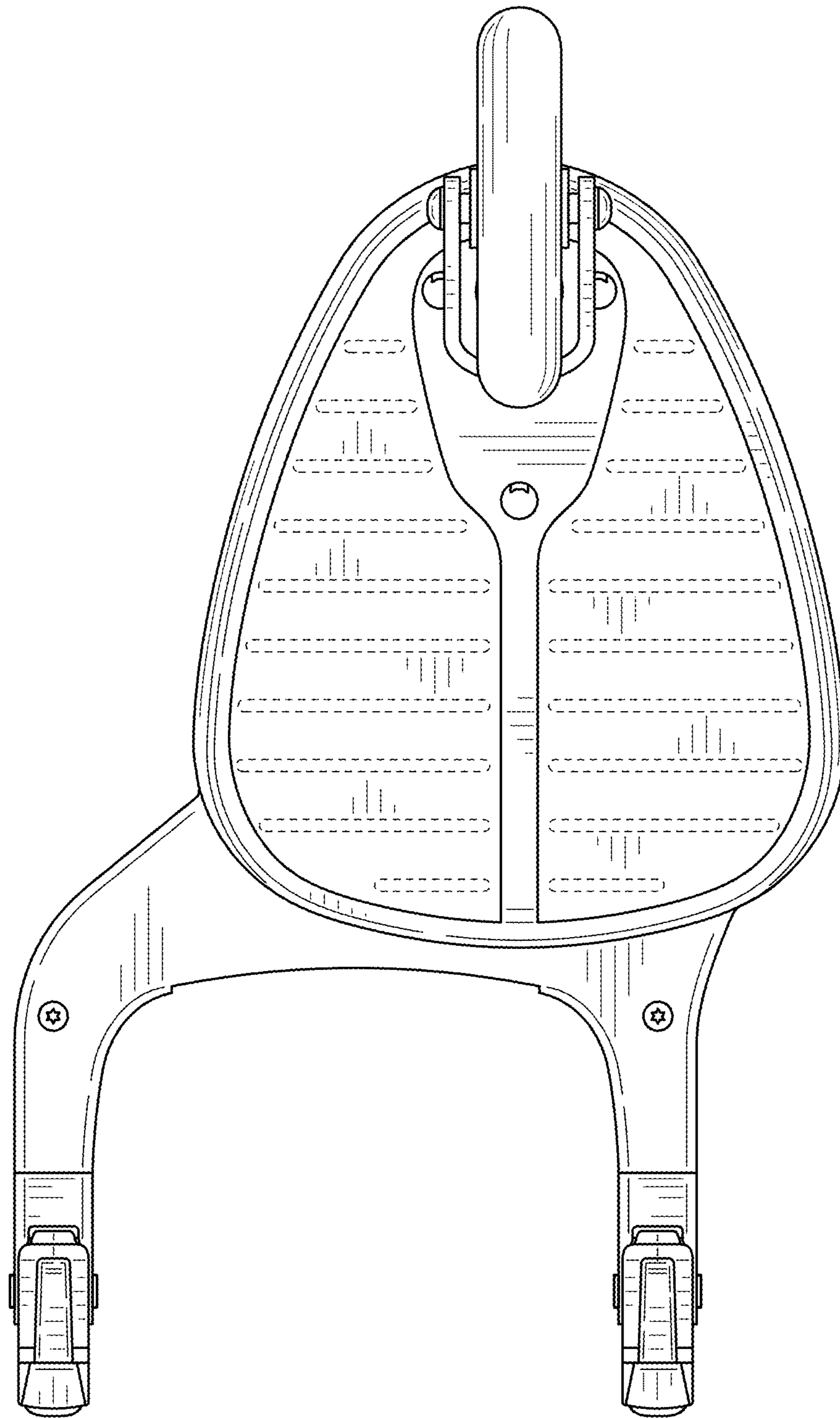


FIG. 7

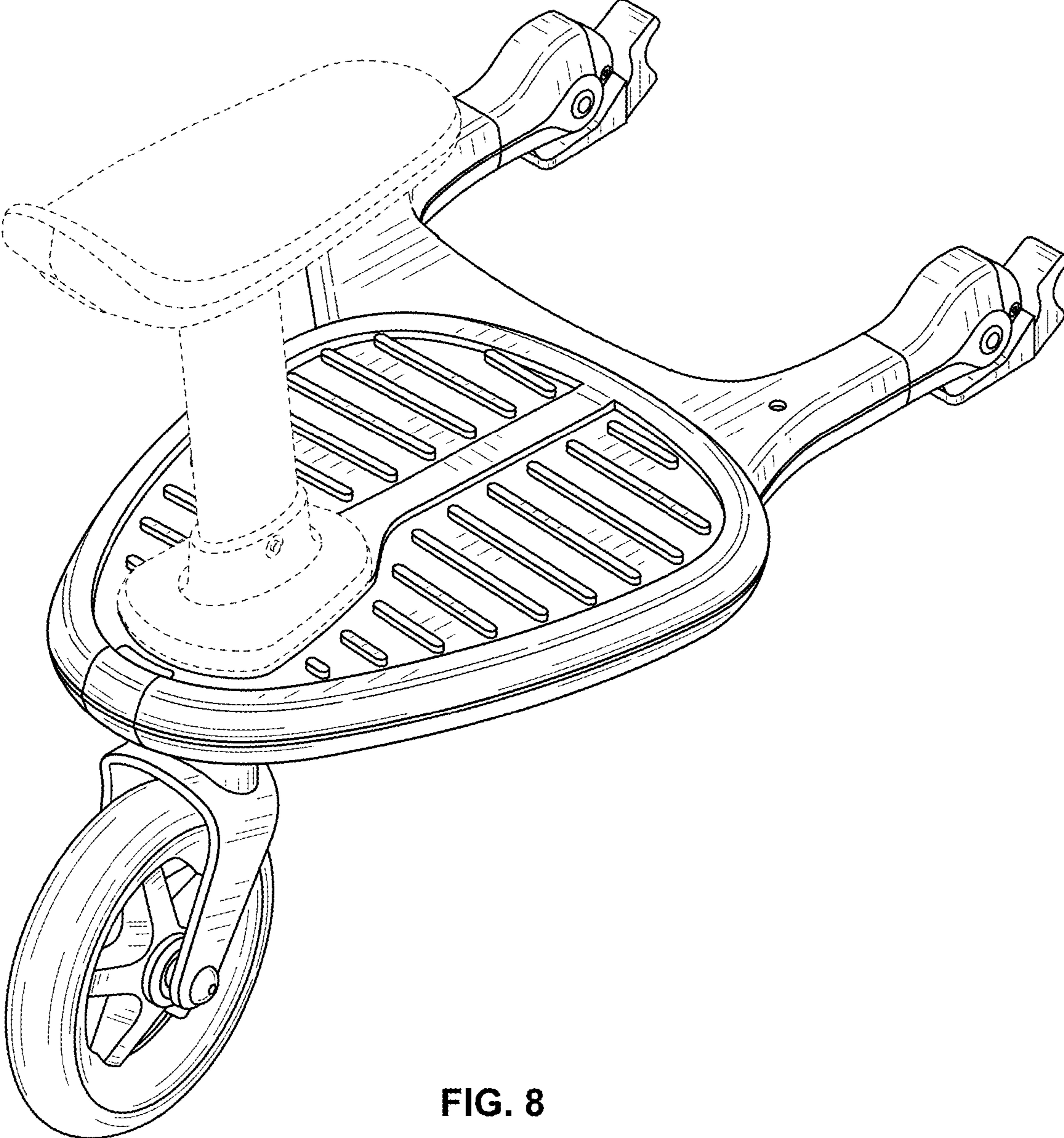


FIG. 8

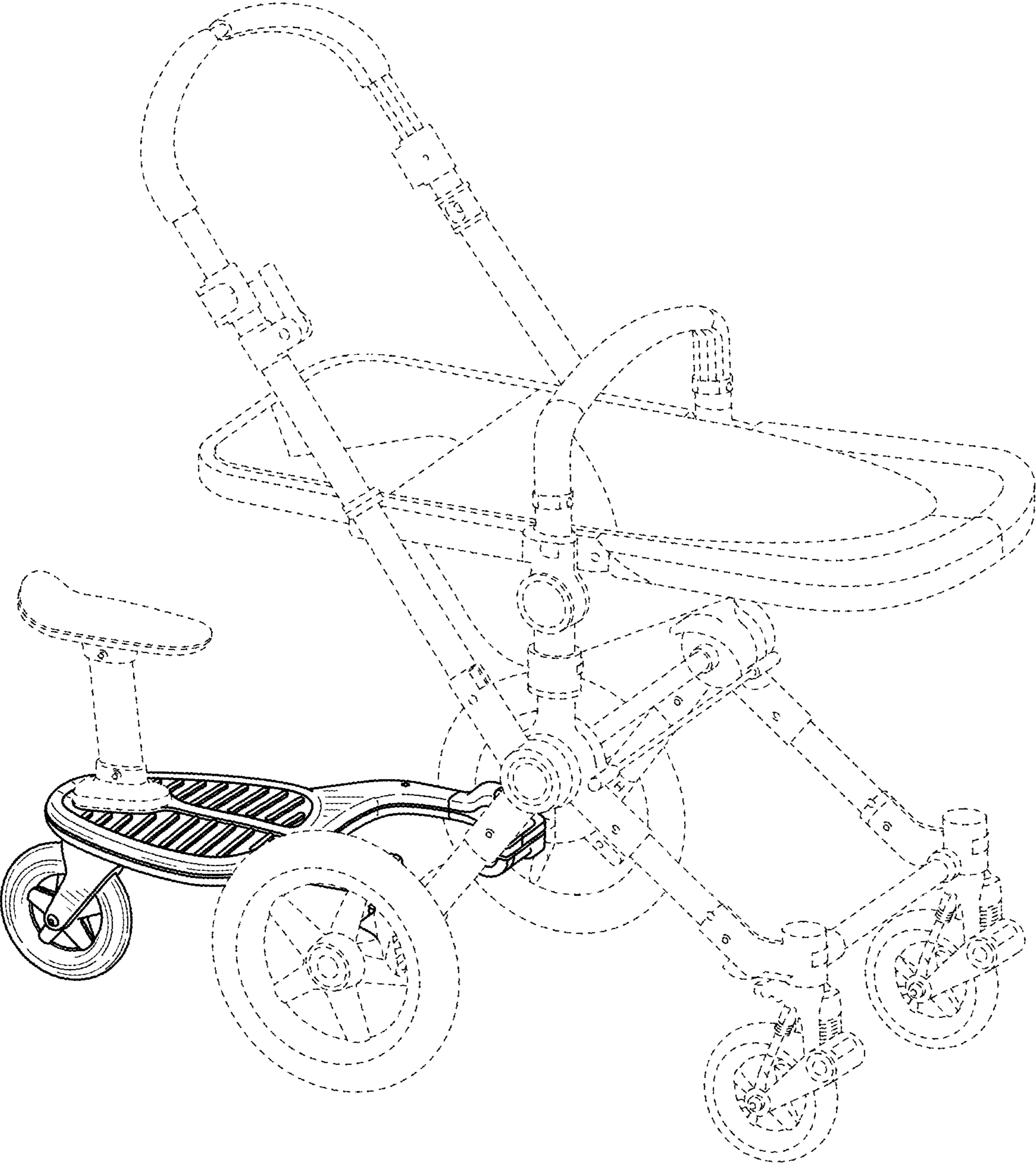


FIG. 9