



US00D769775S

(12) **United States Design Patent**  
**Sugie**

(10) **Patent No.:** **US D769,775 S**  
(45) **Date of Patent:** **\*\* Oct. 25, 2016**

(54) **FOUR WHEEL ELECTRIC VEHICLE**

(71) Applicant: **WHILL INC.**, Yokohama (JP)

(72) Inventor: **Satoshi Sugie**, Kanagawa (JP)

(73) Assignee: **WHILL Inc.**, Kanagawa (JP)

(\*\*) Term: **14 Years**

(21) Appl. No.: **29/504,756**

(22) Filed: **Oct. 9, 2014**

(30) **Foreign Application Priority Data**

Apr. 15, 2014 (JP) ..... 2014-008231

(51) **LOC (10) Cl.** ..... **12-12**

(52) **U.S. Cl.**  
USPC ..... **D12/131**

(58) **Field of Classification Search**  
USPC ..... D12/128-133; D14/205  
CPC ..... A61G 5/00-5/14; A61G 5/04; A61G  
5/041-5/047; A61G 2005/048  
See application file for complete search history.

(56) **References Cited**

**U.S. PATENT DOCUMENTS**

4,770,432 A \* 9/1988 Wagner ..... A61G 5/08  
280/250.1  
5,028,065 A \* 7/1991 Danecker ..... A61G 5/00  
152/323

5,335,741 A \* 8/1994 Rabinovitz ..... A61G 5/061  
180/8.2  
6,786,496 B2 \* 9/2004 Ward ..... A61G 5/00  
280/250.1  
8,973,935 B2 \* 3/2015 Salvan ..... A61G 5/02  
280/250.1  
D730,250 S \* 5/2015 Lodato ..... D12/128

\* cited by examiner

*Primary Examiner* — Charles Hanson

(74) *Attorney, Agent, or Firm* — Maier & Maier, PLLC

(57) **CLAIM**

The ornamental design for a four wheel electric vehicle, as shown and described.

**DESCRIPTION**

FIG. 1 is a front elevational view of a four wheel electric vehicle, showing my design;  
FIG. 2 is a rear elevational view thereof;  
FIG. 3 is a right side elevational view thereof;  
FIG. 4 is a left side elevational view thereof;  
FIG. 5 is a top plan view thereof;  
FIG. 6 is a front right perspective view thereof; and,  
FIG. 7 is a rear right perspective view thereof.  
The bottom of the four wheel electric vehicle is not seen during ordinary use and forms no part of the claimed design. The broken line showing of parts of the drawings is included for the purpose of illustrating portions of the four wheel electric vehicle and forms no part of the claimed design.

**1 Claim, 7 Drawing Sheets**

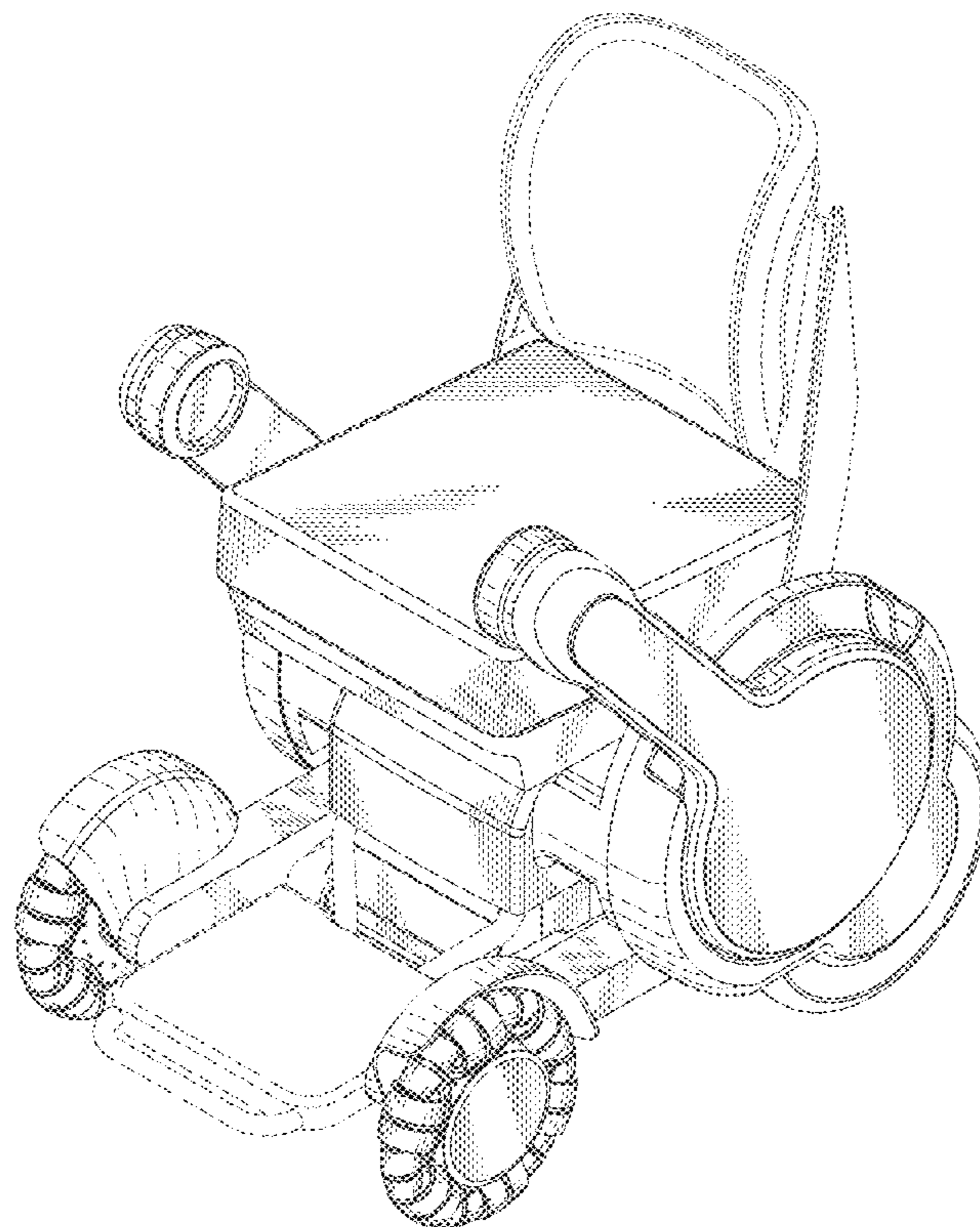


FIG. 1

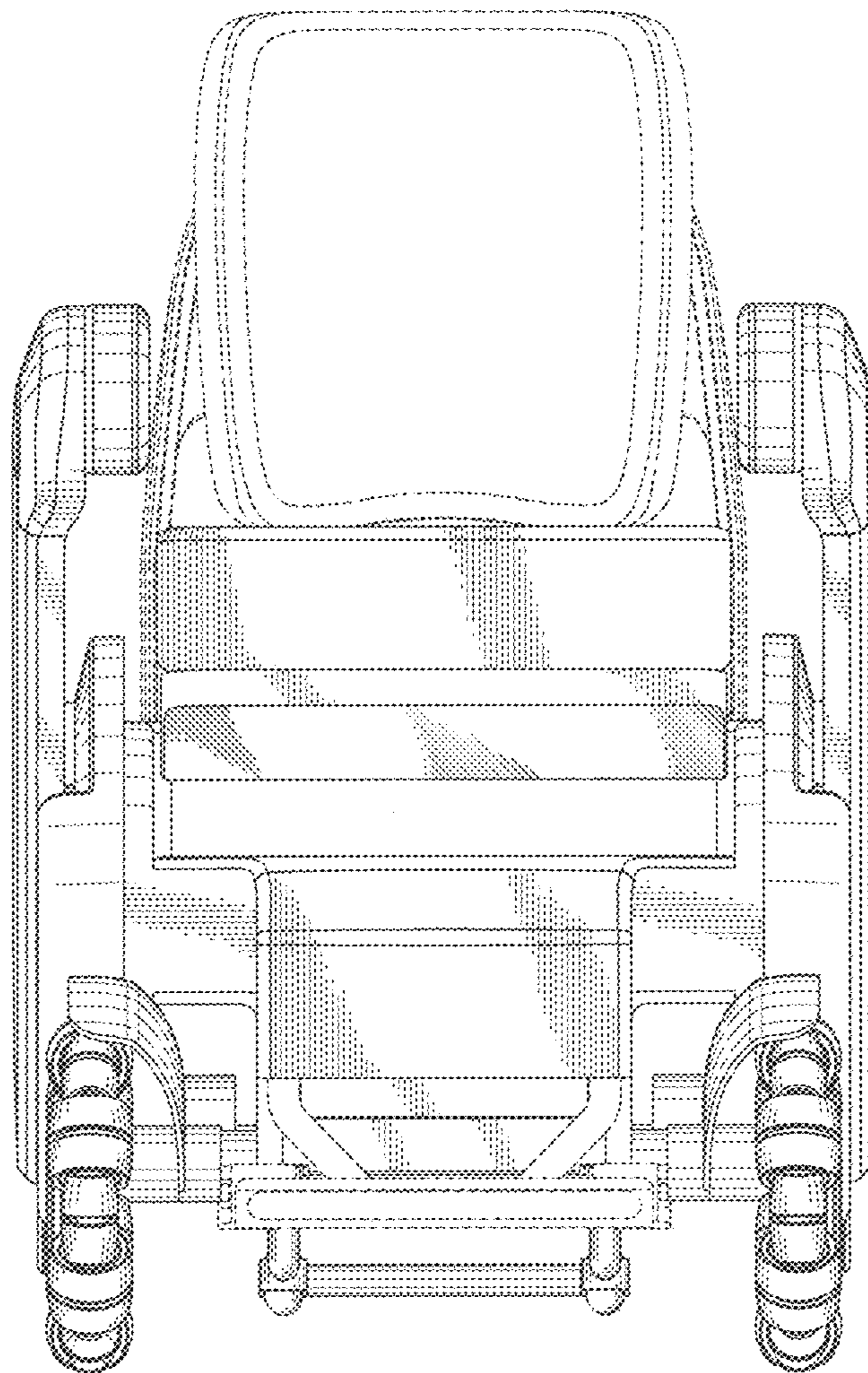


FIG. 2

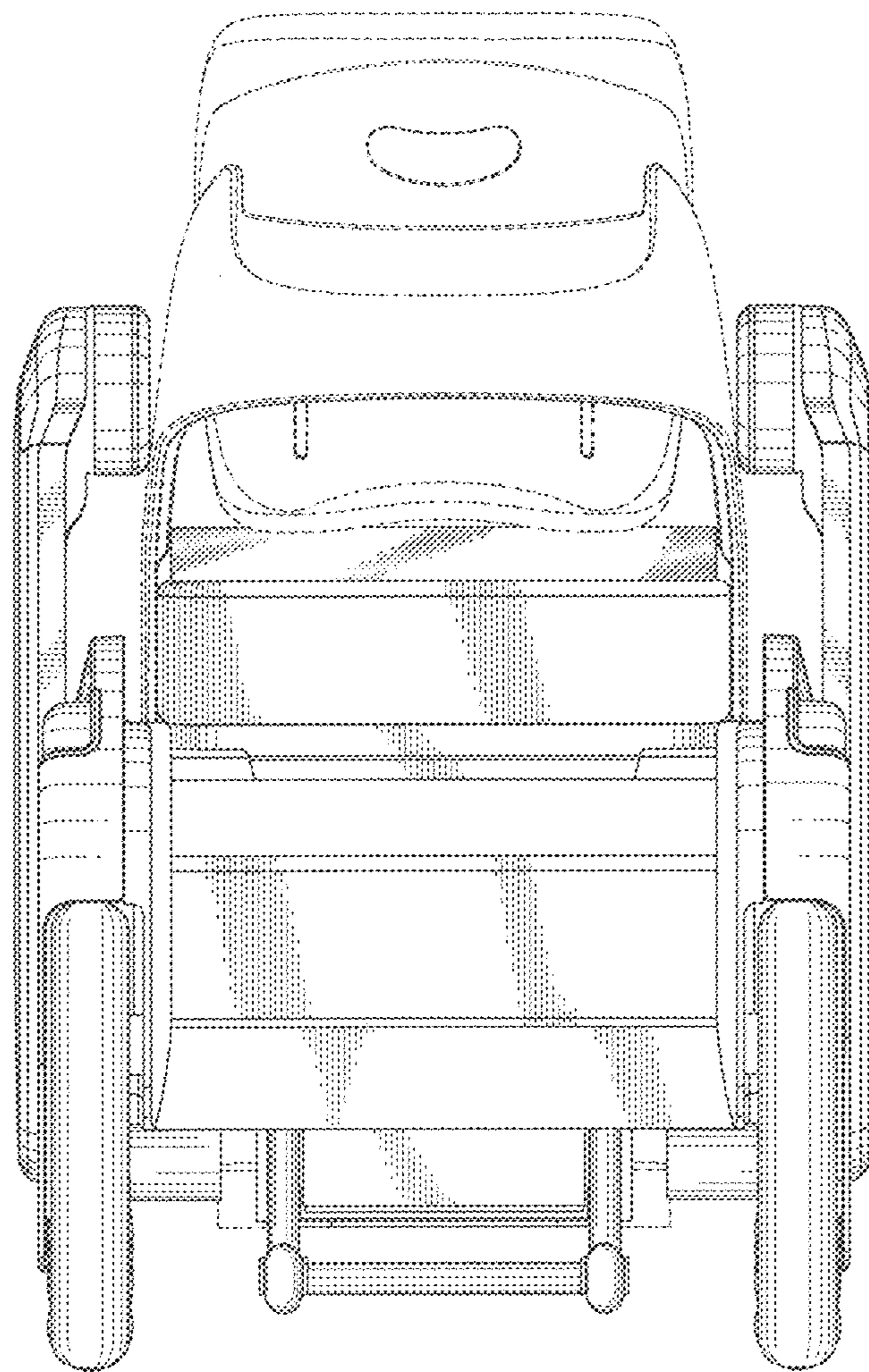




FIG. 3

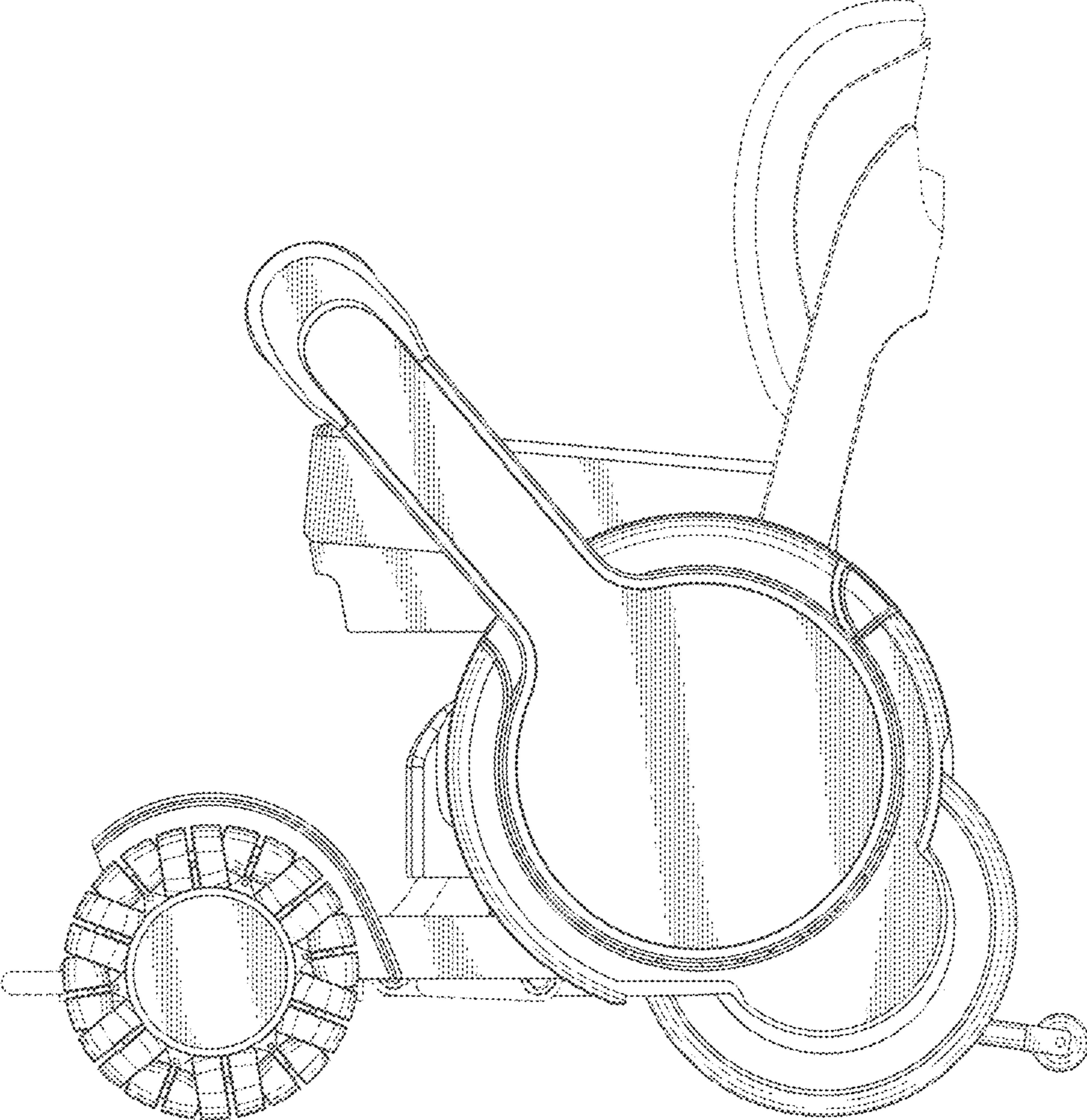


FIG. 4

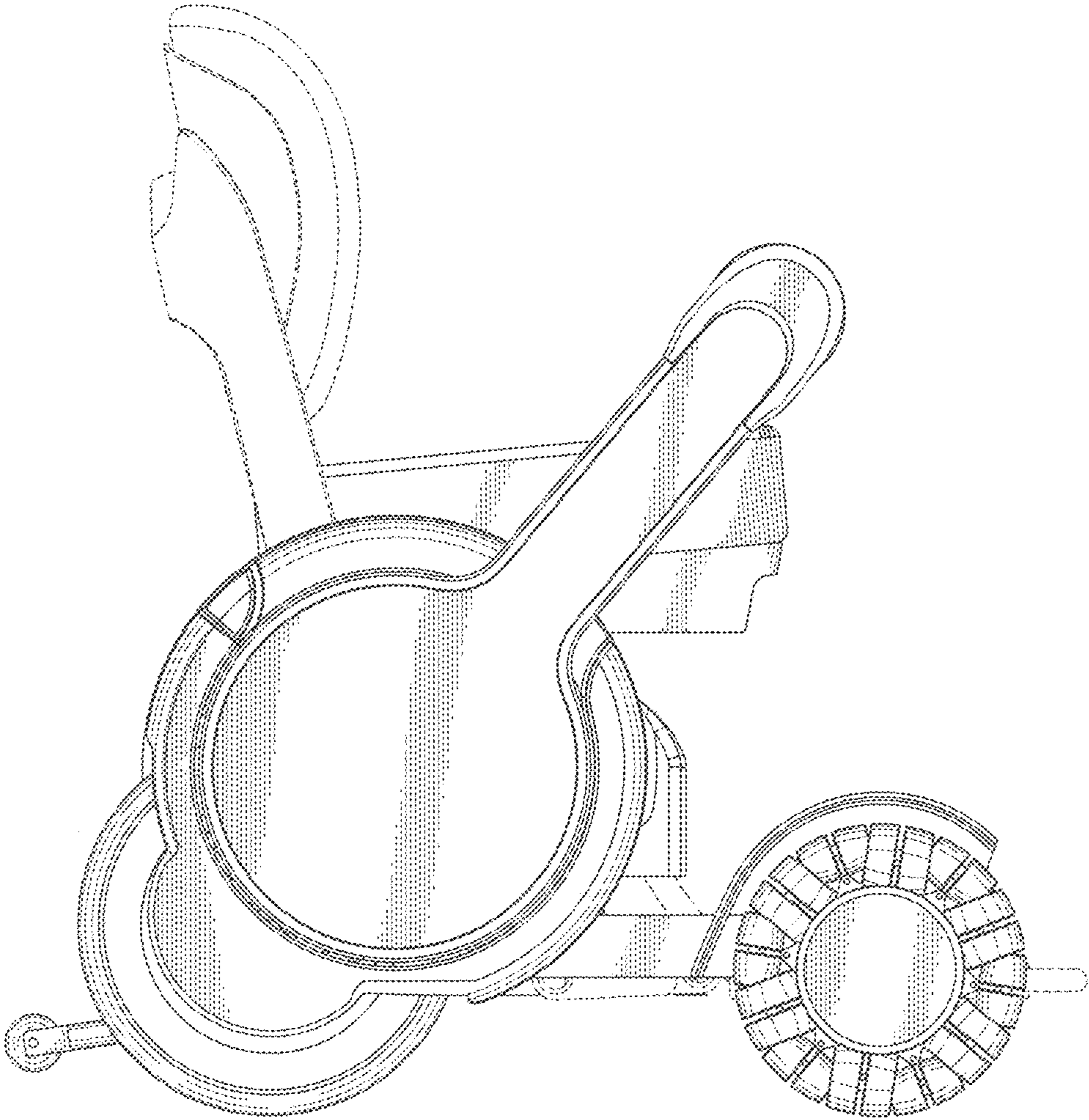


FIG. 5

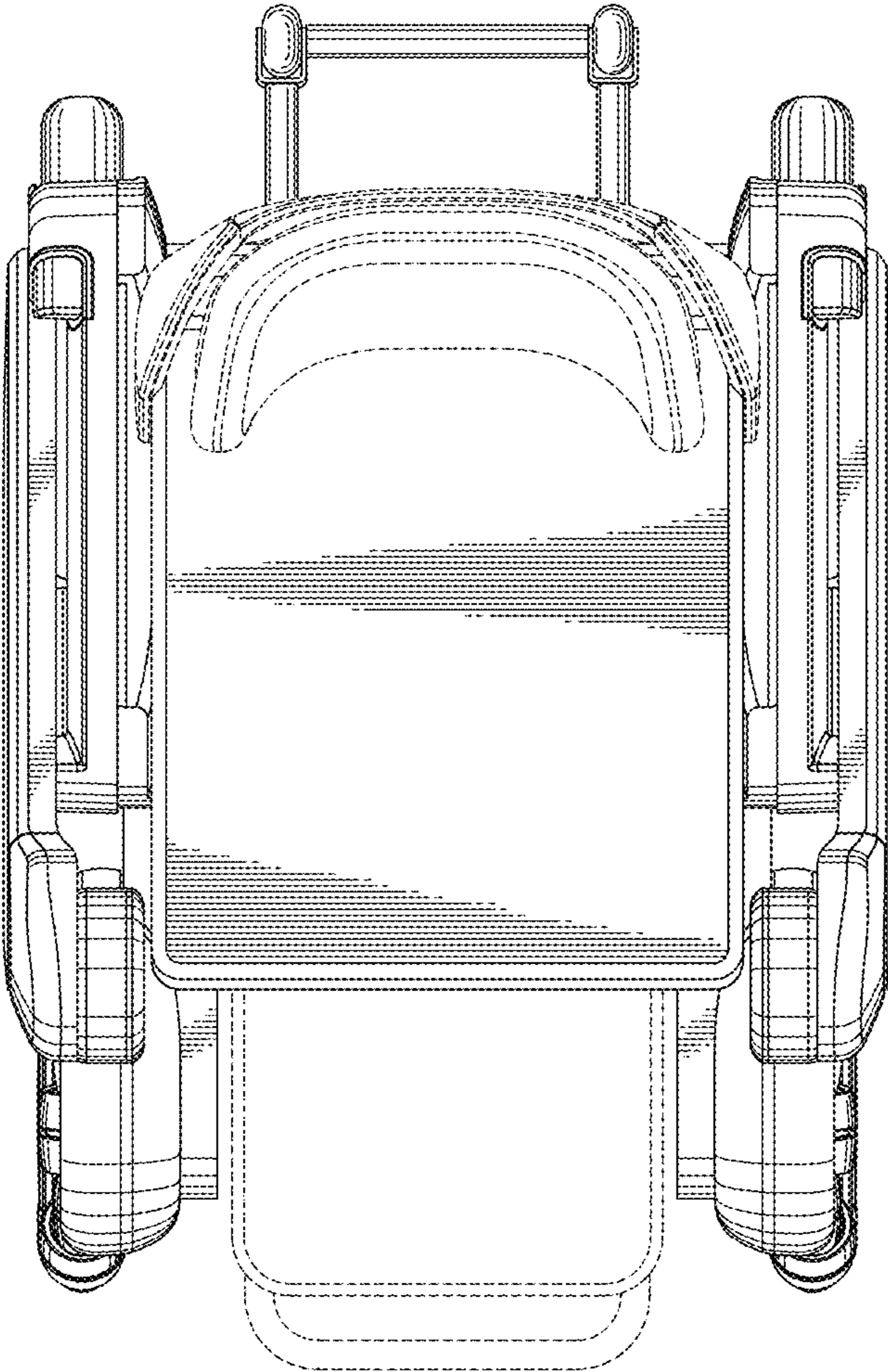




FIG. 6

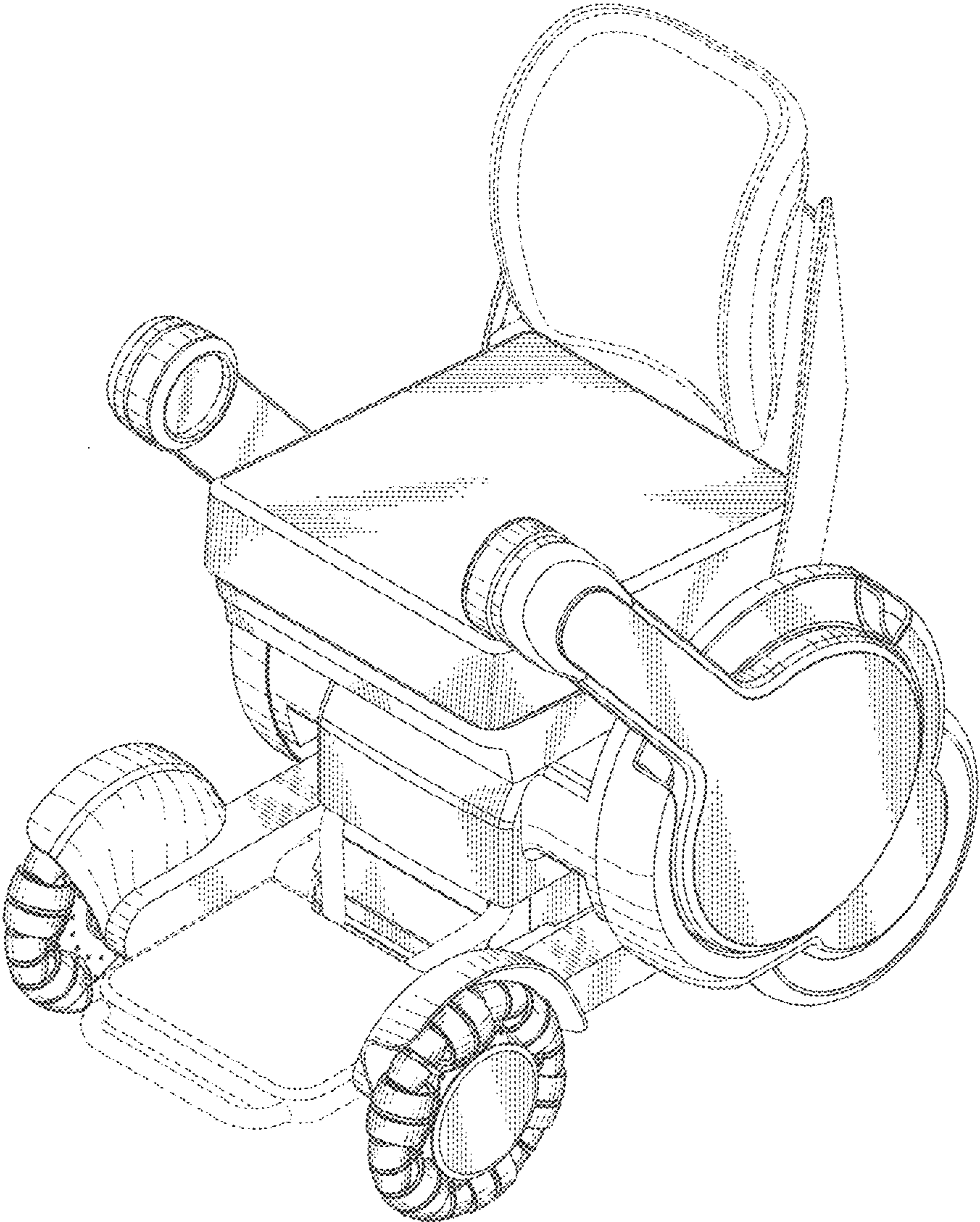


FIG. 7

