



US00D769765S

(12) **United States Design Patent** (10) **Patent No.:** **US D769,765 S**
Tao (45) **Date of Patent:** **** Oct. 25, 2016**

(54) **SMART WATCH**
(71) Applicant: **Lenovo (Beijing) Co., Ltd.**, Beijing (CN)
(72) Inventor: **Ying Tao**, Beijing (CN)
(73) Assignee: **Lenovo (Beijing) Co., Ltd.**, Beijing (CN)
(**) Term: **14 Years**
(21) Appl. No.: **29/519,906**

D513,997 S * 1/2006 Wilson D10/30
D519,396 S * 4/2006 Migliorati D10/32
D566,580 S * 4/2008 Giorgio D10/32
D584,169 S * 1/2009 Rabati D10/32
D603,276 S * 11/2009 Herzog D10/32
D698,689 S * 2/2014 Boyd D11/4
D709,873 S * 7/2014 Aumiller D14/344
D718,170 S * 11/2014 Aumiller D10/32
D726,676 S * 4/2015 Park D10/38
D729,674 S * 5/2015 Behar D10/103
D729,675 S * 5/2015 Behar D10/103
D729,681 S * 5/2015 Lee D11/3
D737,156 S 8/2015 Akana et al.

(Continued)

(22) Filed: **Mar. 9, 2015**
(30) **Foreign Application Priority Data**
Sep. 9, 2014 (CN) 2014 3 0331787
(51) **LOC (10) Cl.** **11-01**
(52) **U.S. Cl.**
USPC **D11/5**
(58) **Field of Classification Search**
USPC D11/1-26; D10/70, 98, 32, 38;
D24/167; D14/344; D3/203.1, 215,
D3/218, 201
CPC A44C 5/00; A44C 5/0007; A44C 5/0015;
A44C 5/0023; A44C 5/003; A44C 5/0038;
A44C 5/0053; A44C 5/0061; A44C 5/0069;
A44C 5/0076; A44C 5/0084; A44C 5/0092;
A44C 5/20; A61B 5/02405
See application file for complete search history.

(56) **References Cited**
U.S. PATENT DOCUMENTS
1,752,128 A * 3/1930 Vetter G04B 37/04
368/282
2,137,835 A * 11/1938 Dixon A44C 9/00
63/15
D243,318 S * 2/1977 Kurihara D10/32
4,060,185 A * 11/1977 Kuroda A44C 5/0092
224/176
4,473,304 A * 9/1984 Ketner G04B 45/00
368/221

OTHER PUBLICATIONS

Lenovo (Beijing) Co., Ltd., "Smart watch". design U.S. Appl. No. 29/519,921, filed Mar. 9, 2015, not yet published.

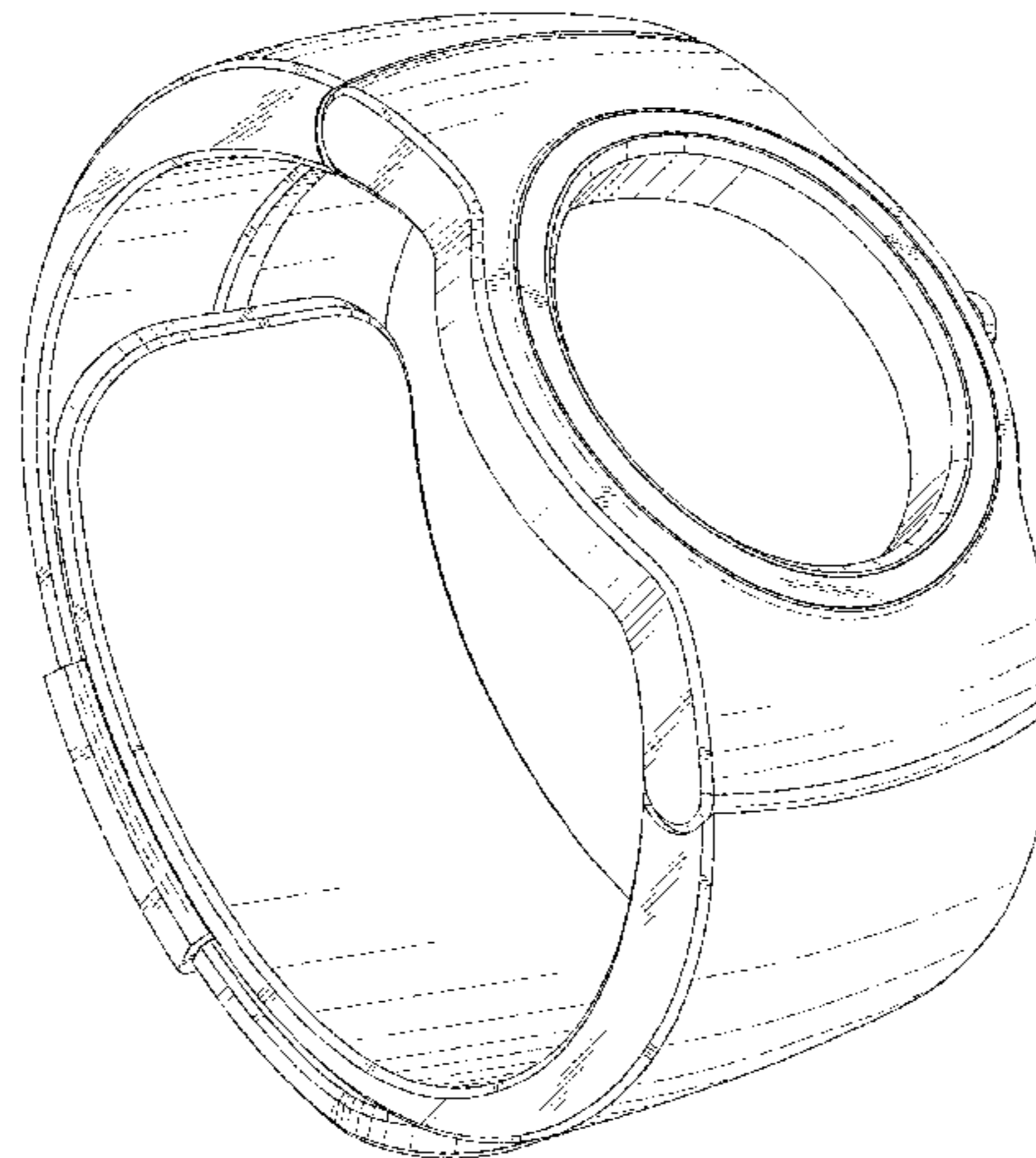
Primary Examiner — Garth Rademaker
Assistant Examiner — Melanie Pellegrini
(74) *Attorney, Agent, or Firm* — Oppedahl Patent Law Firm LLC

(57) **CLAIM**
The ornamental design for a smart watch, as shown and described.

DESCRIPTION

FIG. 1 is a front view of a smart watch showing my new design;
FIG. 2 is a rear view thereof;
FIG. 3 is a left side view thereof;
FIG. 4 is a right side view thereof;
FIG. 5 is a top view thereof;
FIG. 6 is a bottom view thereof; and,
FIG. 7 is a perspective view thereof.
The features shown in broken lines in the drawing depict environmental subject matter and unclaimed borders and form no part of the claimed design.
Views of the smart watch which are not depicted in figures do not comprise claimed subject matter.

1 Claim, 7 Drawing Sheets



US D769,765 S

Page 2

(56)

References Cited

U.S. PATENT DOCUMENTS

D737,157 S	8/2015	Akana et al.	D745,421 S	12/2015	Akana et al.
D737,158 S	8/2015	Akana et al.	D746,707 S	1/2016	Akana et al.
D737,159 S	8/2015	Akana et al.	D747,658 S *	1/2016	Cerrato D10/128
D737,166 S *	8/2015	Aumiller D11/3	2009/0175135 A1 *	7/2009	Moore A44C 5/0053 368/282
D741,726 S	10/2015	Akana et al.	2012/0087216 A1 *	4/2012	Keung A44C 5/0084 368/282
D744,356 S	12/2015	Akana et al.	2012/0234044 A1 *	9/2012	Matysik A44C 9/0061 63/15

* cited by examiner

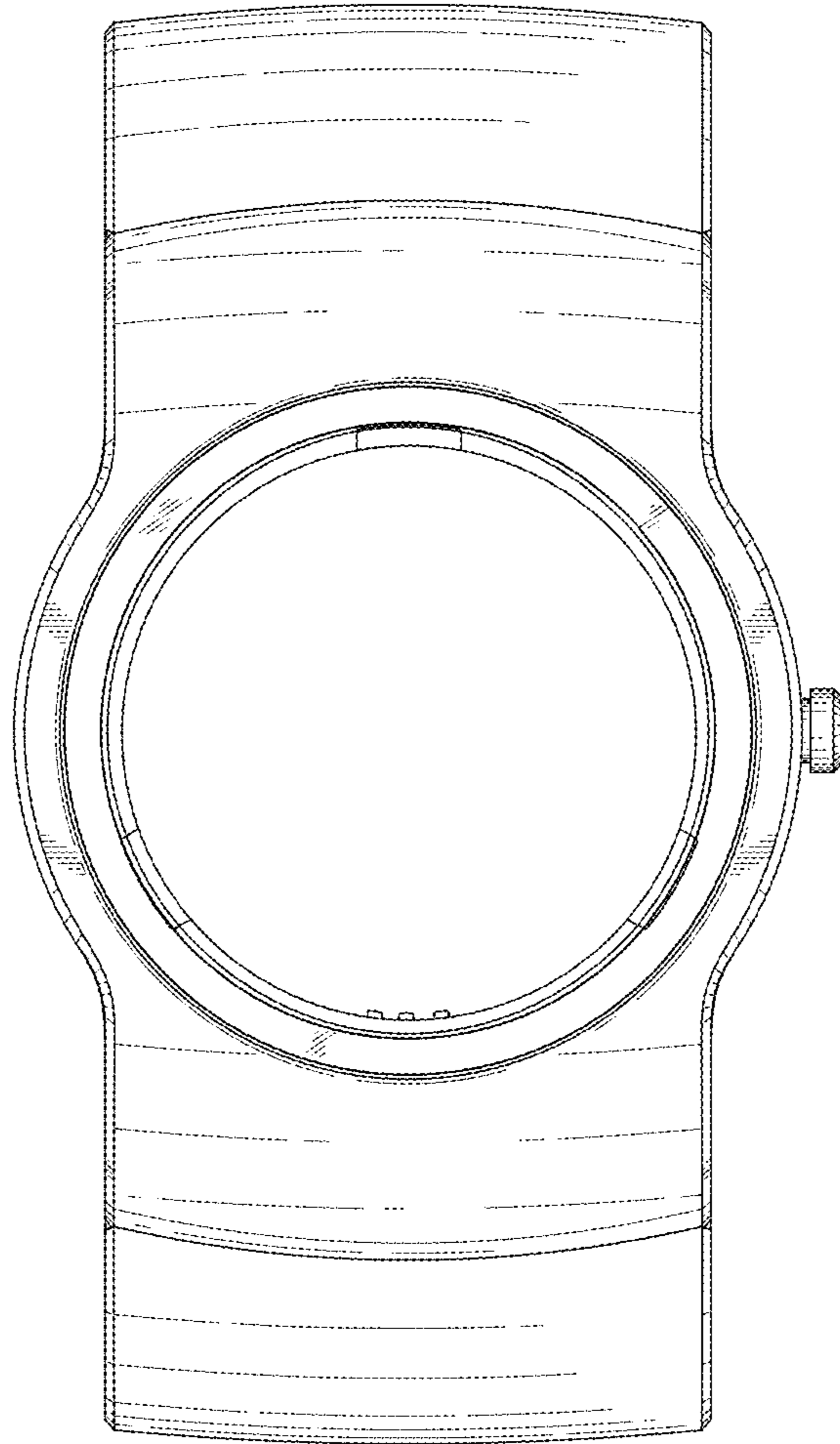


Figure 1

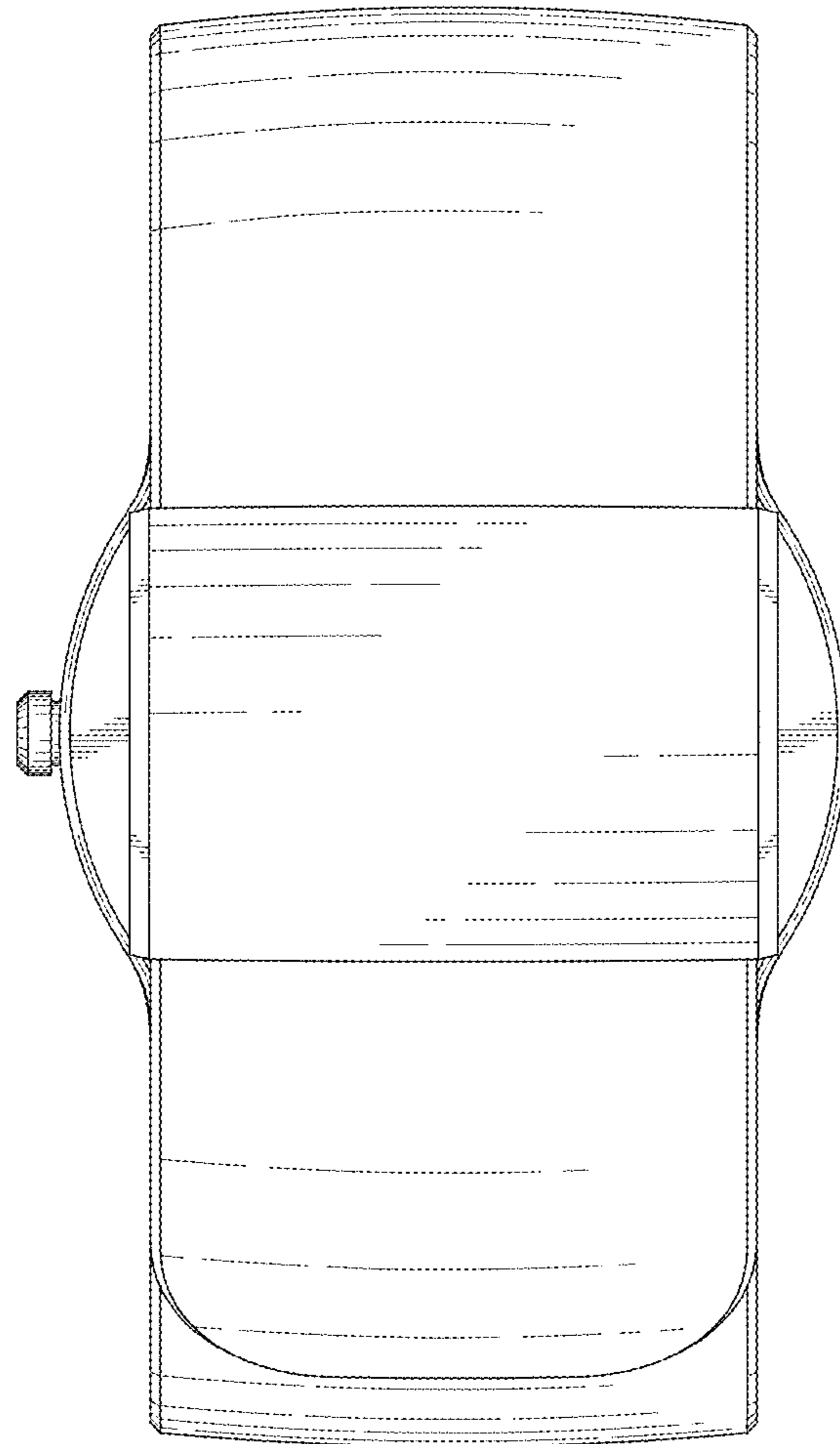


Figure 2

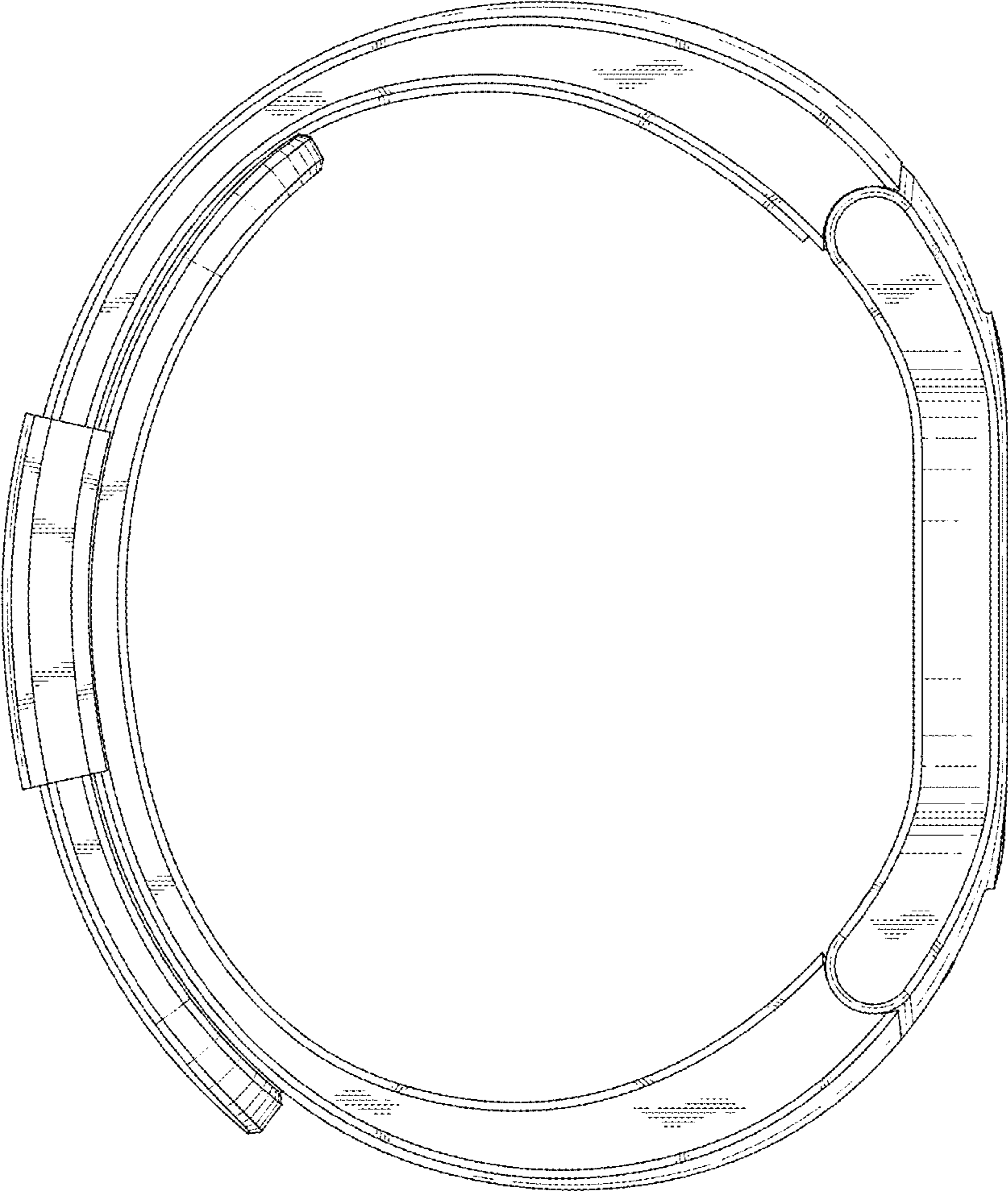


Figure 3

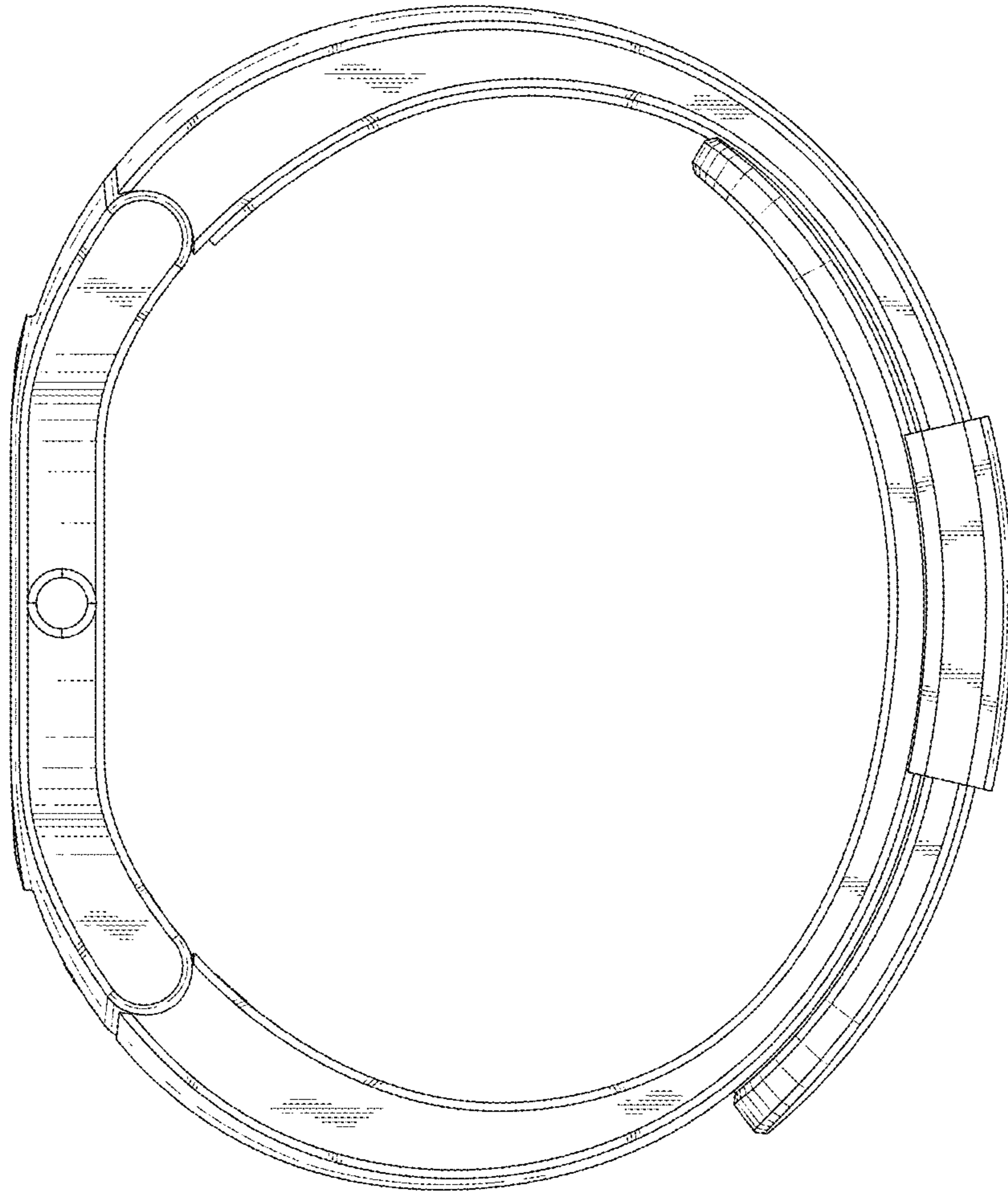


Figure 4

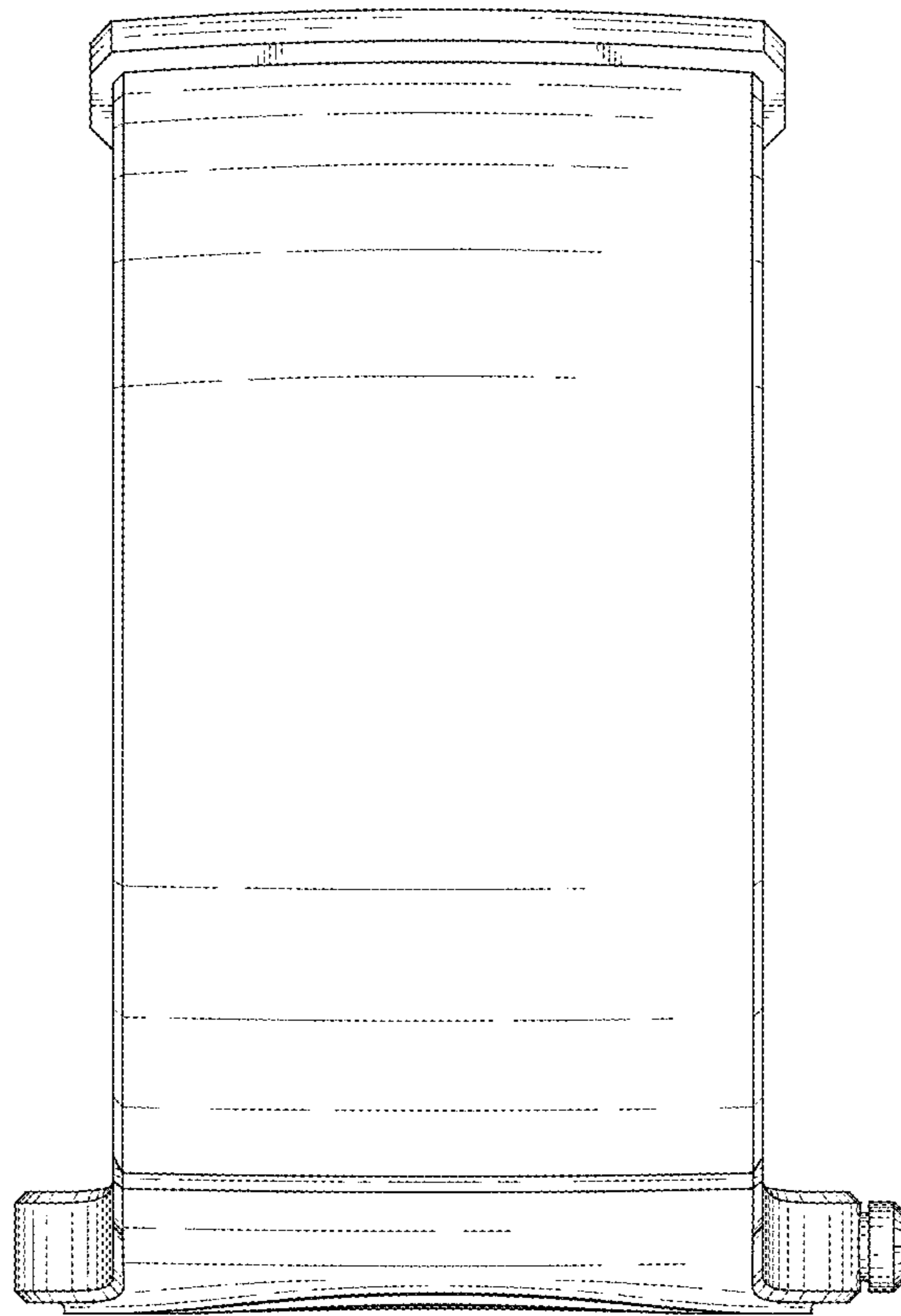


Figure 5

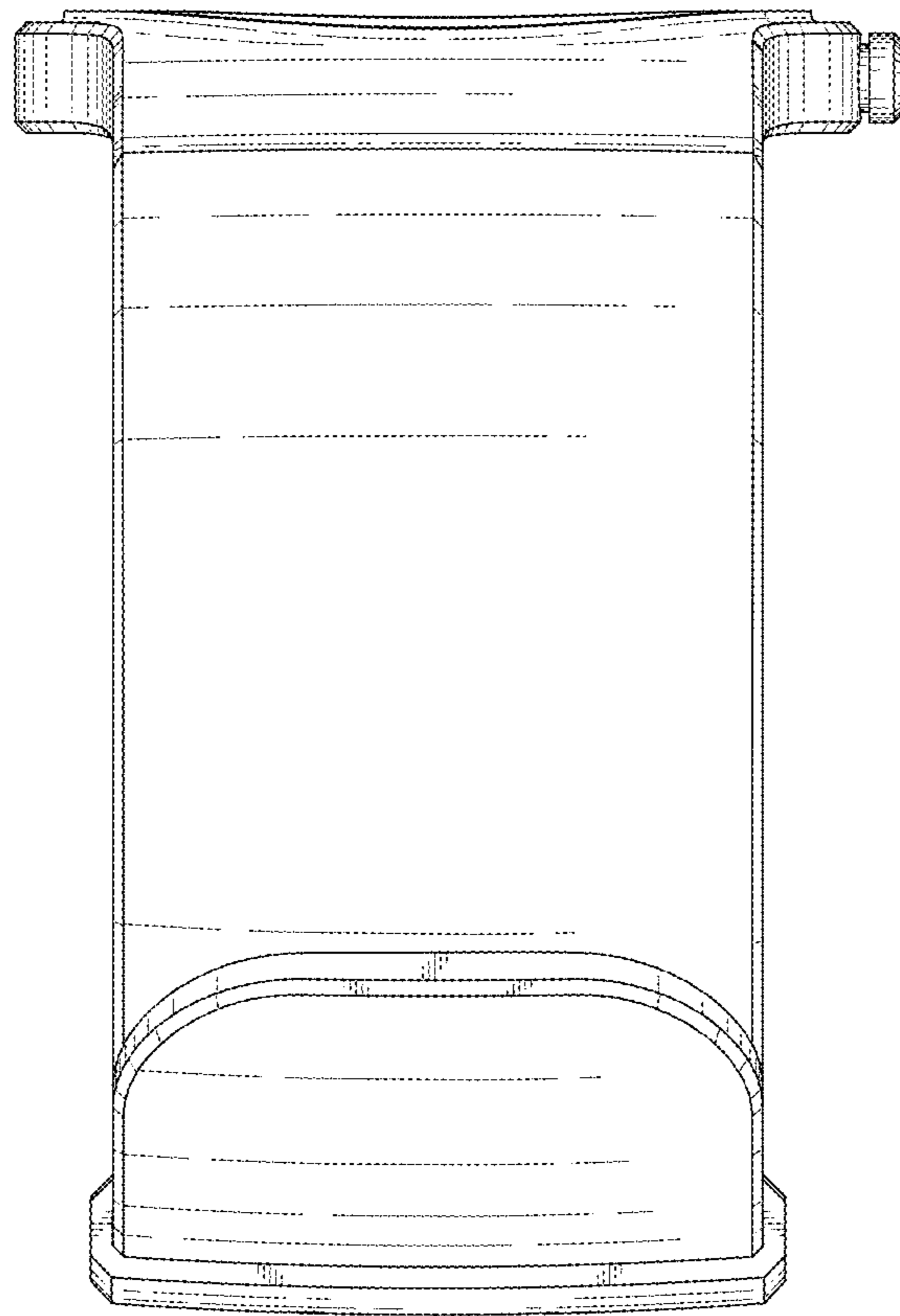


Figure 6

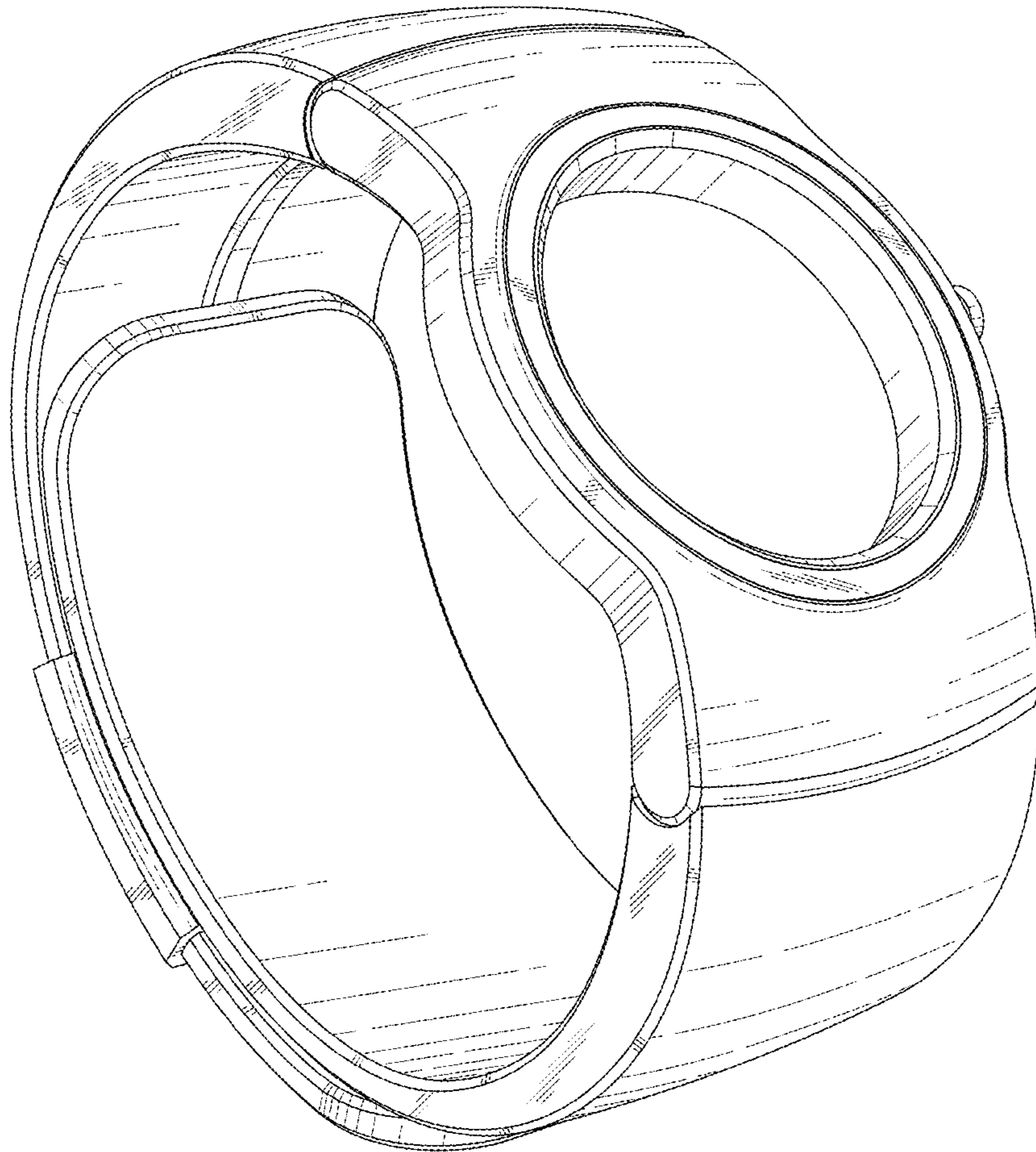


Figure 7