



US00D769764S

(12) **United States Design Patent** (10) **Patent No.:** **US D769,764 S**  
**Mille** (45) **Date of Patent:** **\*\* Oct. 25, 2016**

(54) **WATCH BRACELET**  
(71) Applicant: **Turlen Holding SA**, Soyhières (CH)  
(72) Inventor: **Richard Mille**, Moulins (FR)  
(73) Assignee: **TURLEN HOLDING SA**, Soyhieres (CH)

D471,482 S \* 3/2003 Calvani ..... D11/3  
D525,537 S \* 7/2006 Monachon ..... D10/32  
D548,637 S \* 8/2007 Scarinzi ..... D10/32  
D548,638 S \* 8/2007 Chodat ..... D10/32  
D693,263 S \* 11/2013 Rabassa ..... D11/94  
D693,264 S \* 11/2013 Rabassa ..... D11/94  
D714,177 S \* 9/2014 Graff ..... D11/3  
D719,850 S \* 12/2014 Kita ..... D10/32  
D735,069 S \* 7/2015 Paradise ..... D11/3

(\*\*) Term: **14 Years**  
(21) Appl. No.: **29/526,331**  
(22) Filed: **May 8, 2015**

\* cited by examiner

*Primary Examiner* — Cynthia Ramirez

*Assistant Examiner* — Llorellys Martinez-Rivera

(74) *Attorney, Agent, or Firm* — Donald J. Ranft; Collen IP

(30) **Foreign Application Priority Data**

Dec. 18, 2014 (EM) ..... DM/085209

(51) **LOC (10) Cl.** ..... **11-01**  
(52) **U.S. Cl.**  
USPC ..... **D11/3**

(57) **CLAIM**

The ornamental design for a watch bracelet, as shown.

(58) **Field of Classification Search**  
USPC ..... D11/1-6, 79-81, 85-87, 93, 94;  
D10/30, 32, 38, 46, 70, 74; D14/344;  
D24/167, 186; 368/276-278, 281-283,  
368/285-287; 224/164, 165, 175  
CPC ..... G04B 37/00; A44C 5/14; A44C 5/00;  
A44C 5/0053; A44C 5/0007; A44C 5/0084;  
A44C 15/0025; Y10T 24/4782; Y10T  
24/2155  
See application file for complete search history.

**DESCRIPTION**

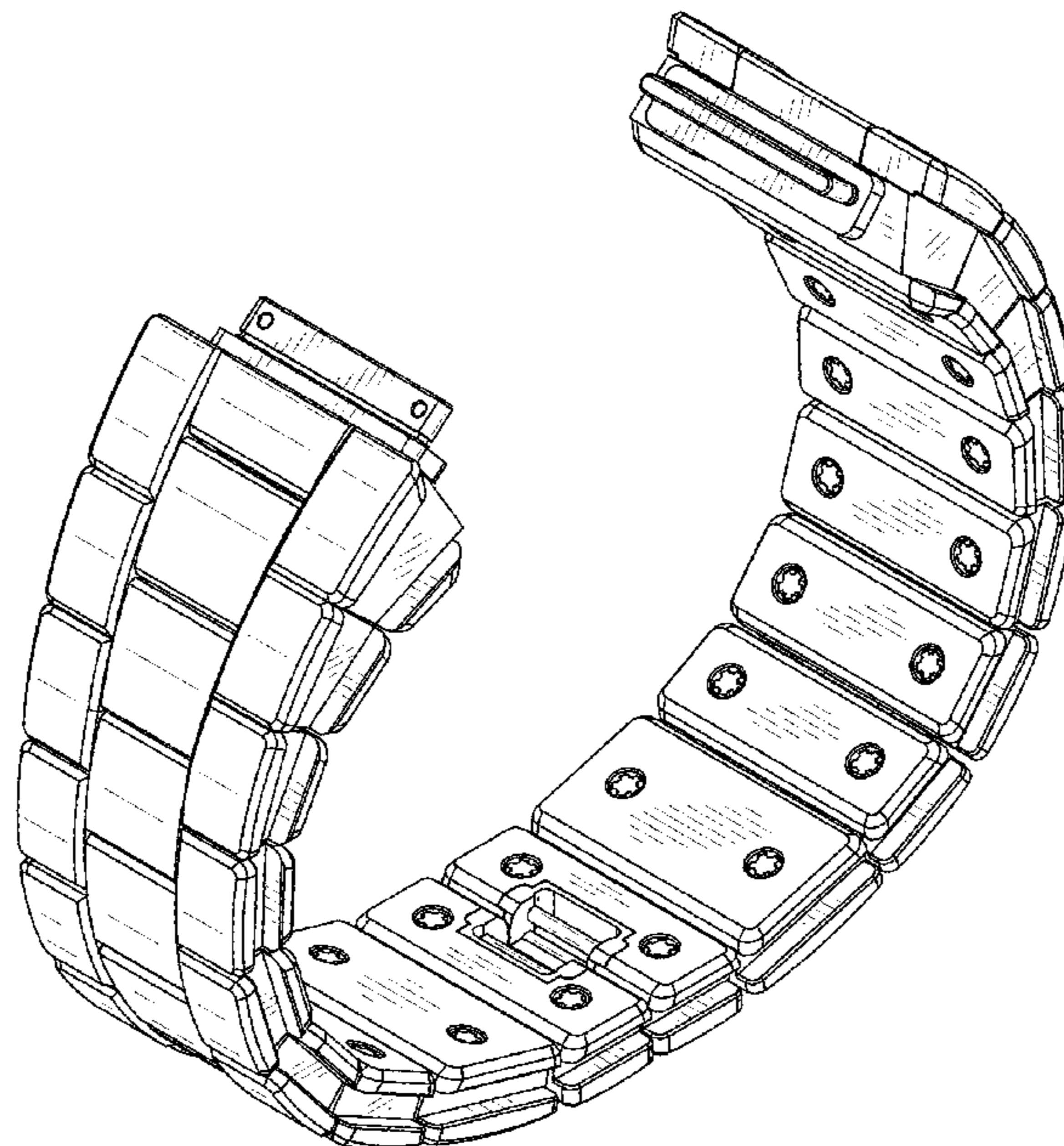
FIG. 1 is a top front perspective view of a watch bracelet showing my new design;  
FIG. 2 is a bottom rear perspective view thereof;  
FIG. 3 is a top view thereof;  
FIG. 4 is a bottom view thereof;  
FIG. 5 is a side view thereof; and,  
FIG. 6 is a front view thereof.

(56) **References Cited**

**U.S. PATENT DOCUMENTS**

D417,411 S \* 12/1999 Cattin ..... D11/3  
D441,682 S \* 5/2001 Wikberg ..... D11/3  
D471,126 S \* 3/2003 Calvani ..... D11/3

**1 Claim, 5 Drawing Sheets**



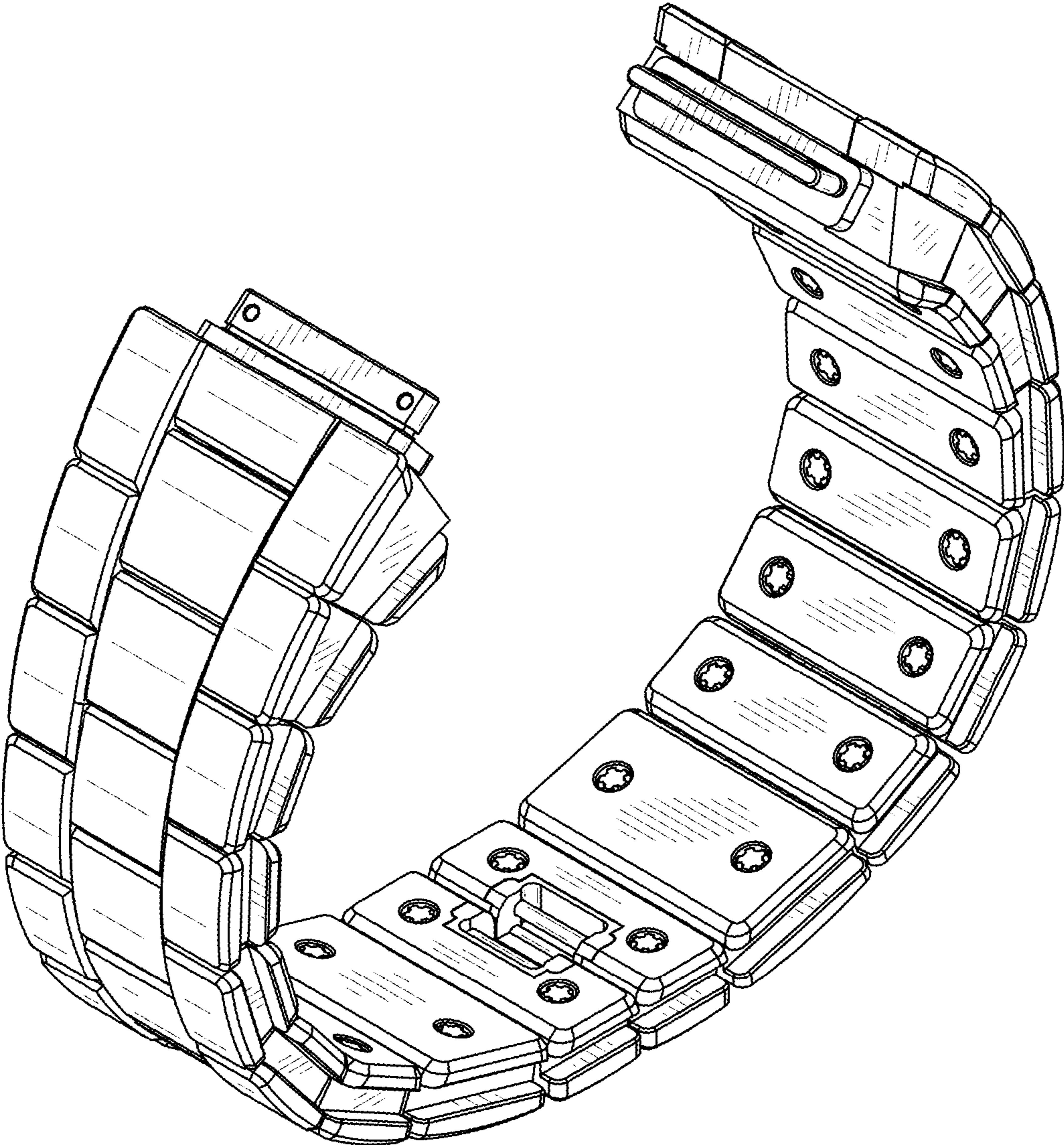


FIG. 1



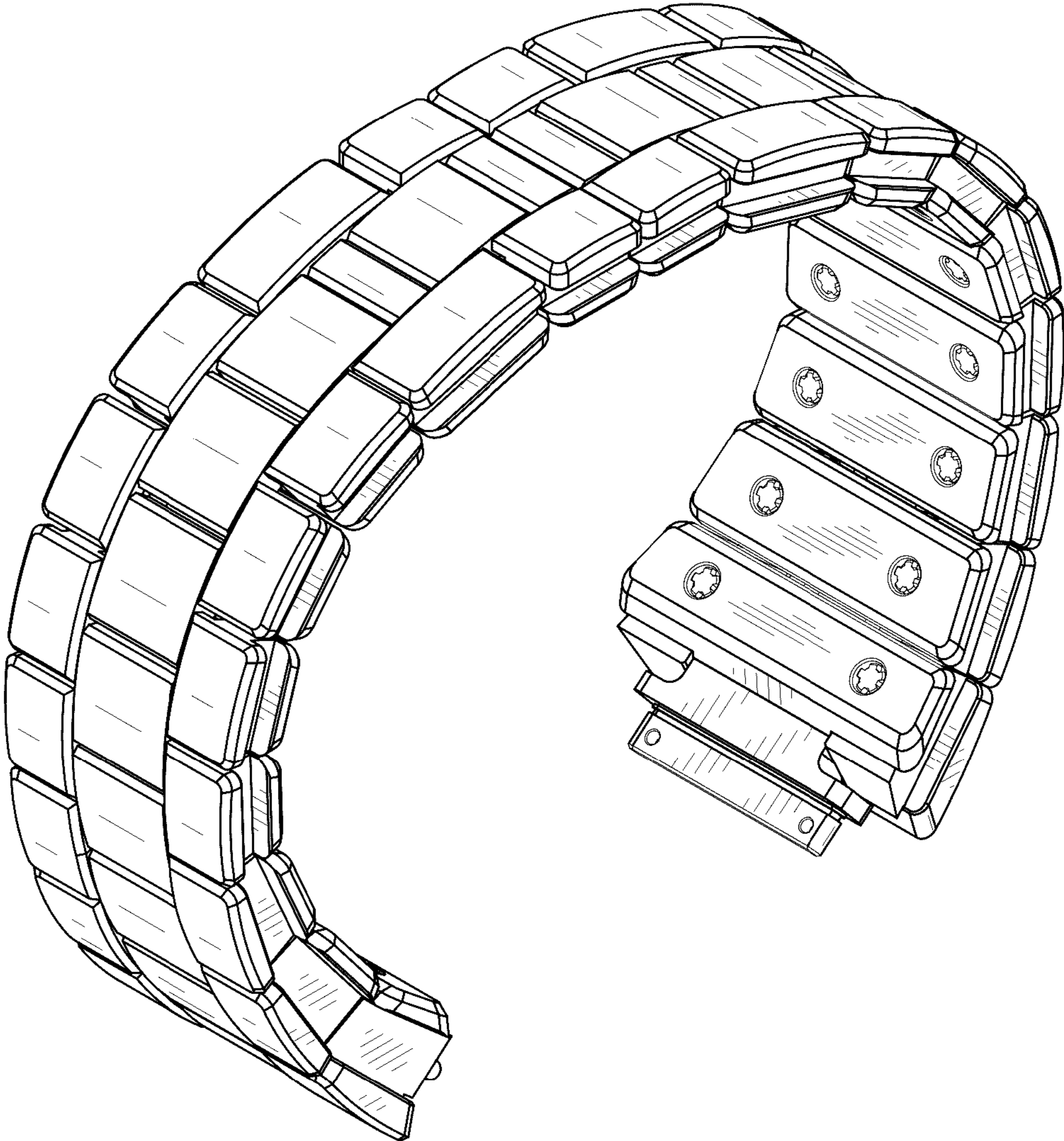


FIG. 2

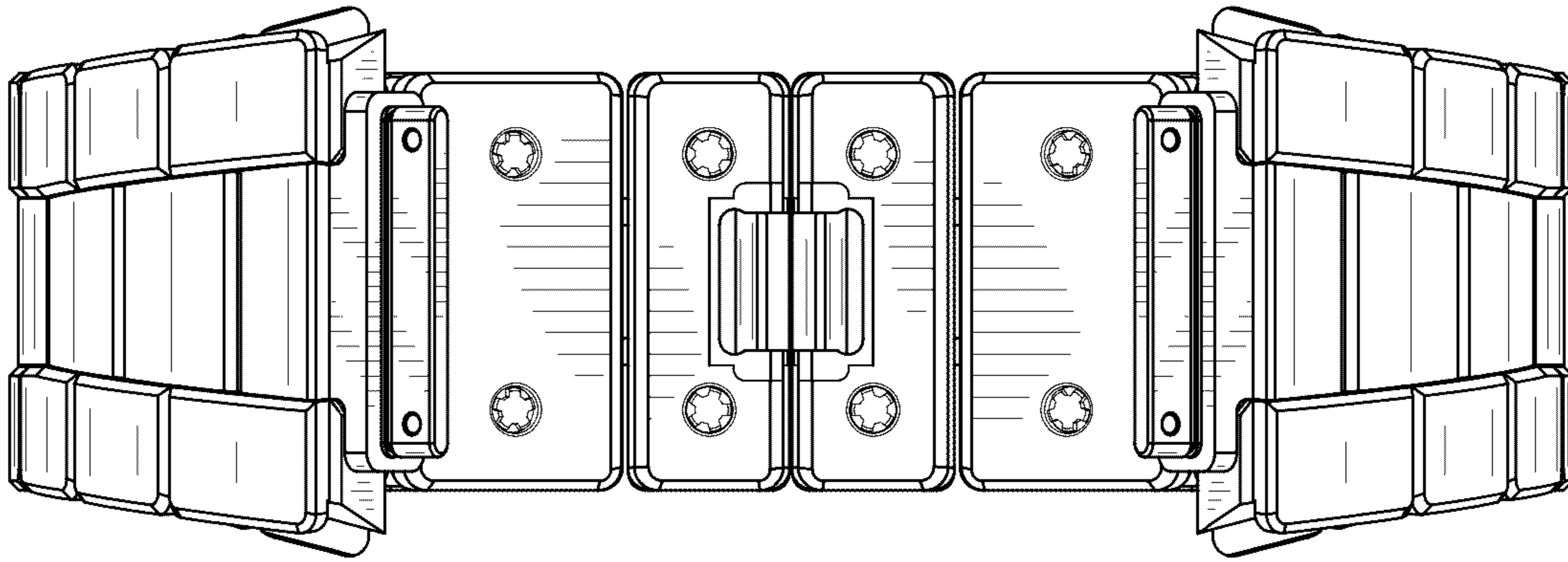


FIG. 3

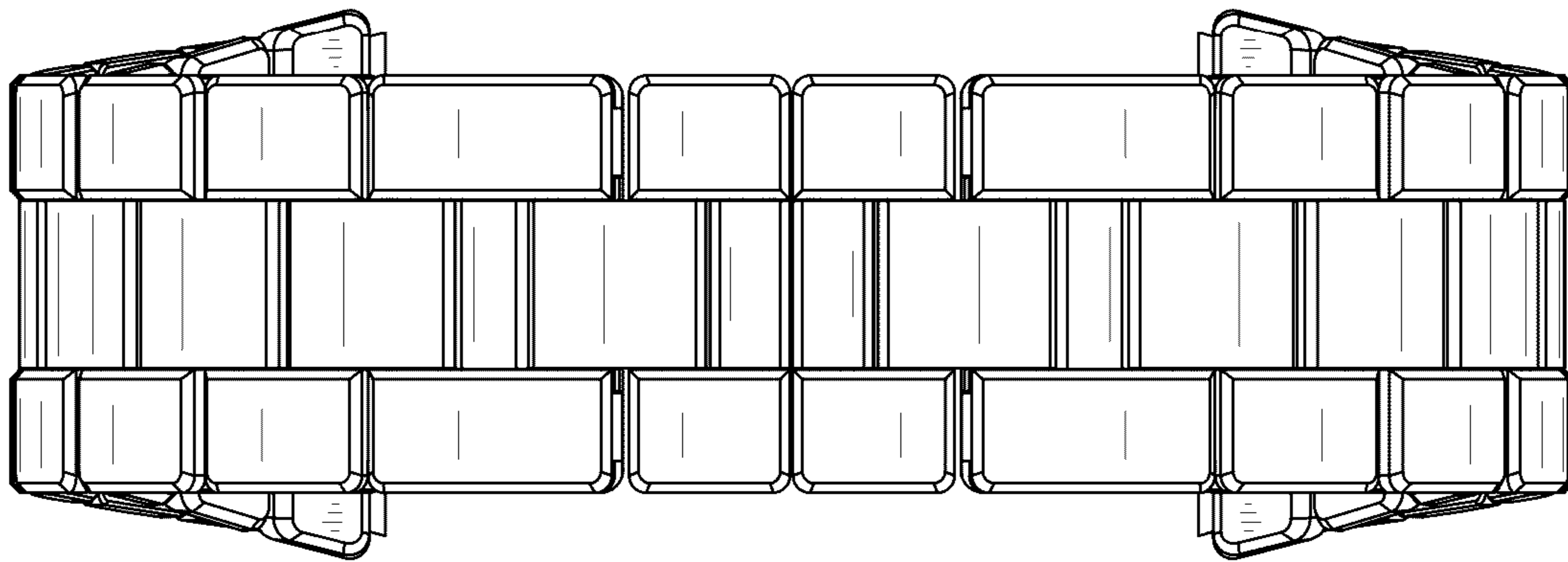


FIG. 4

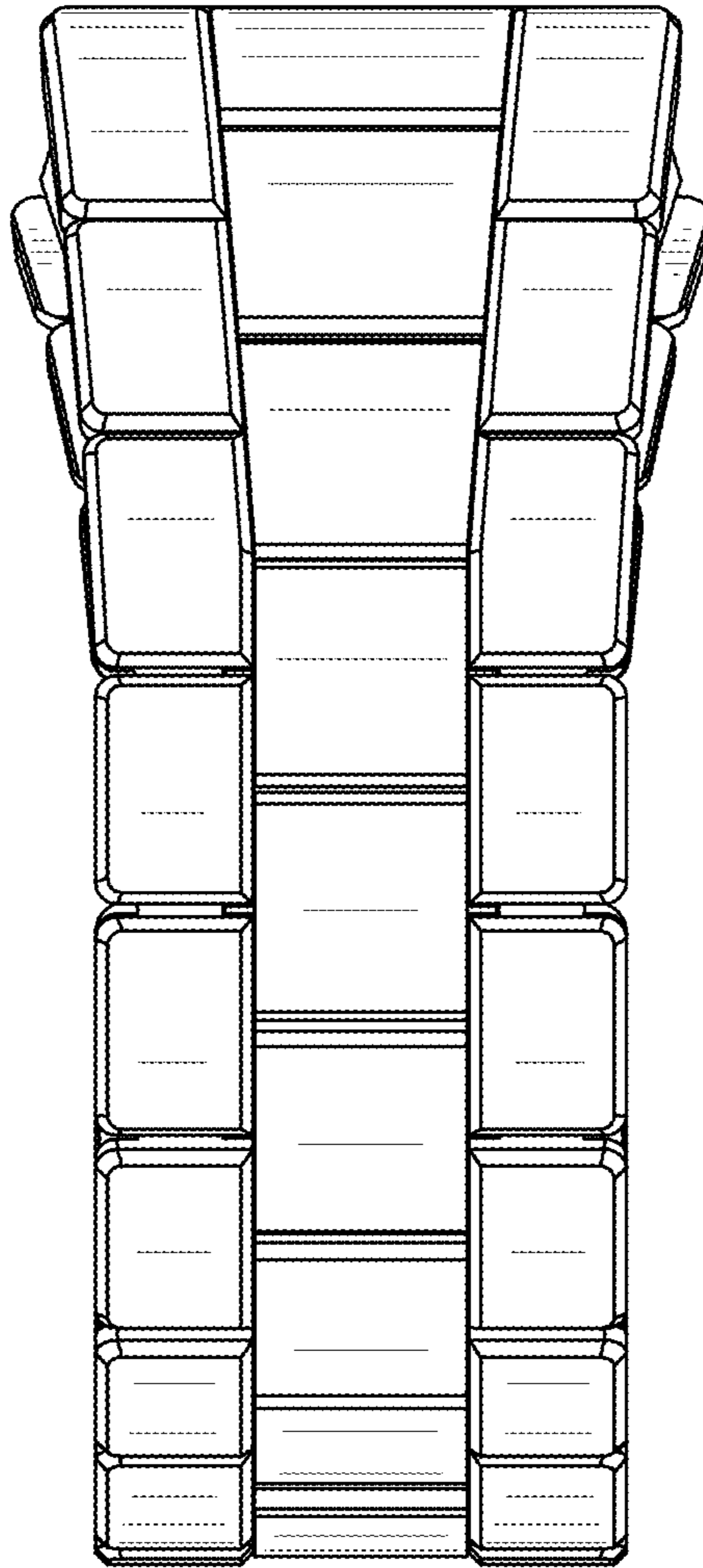


FIG. 5

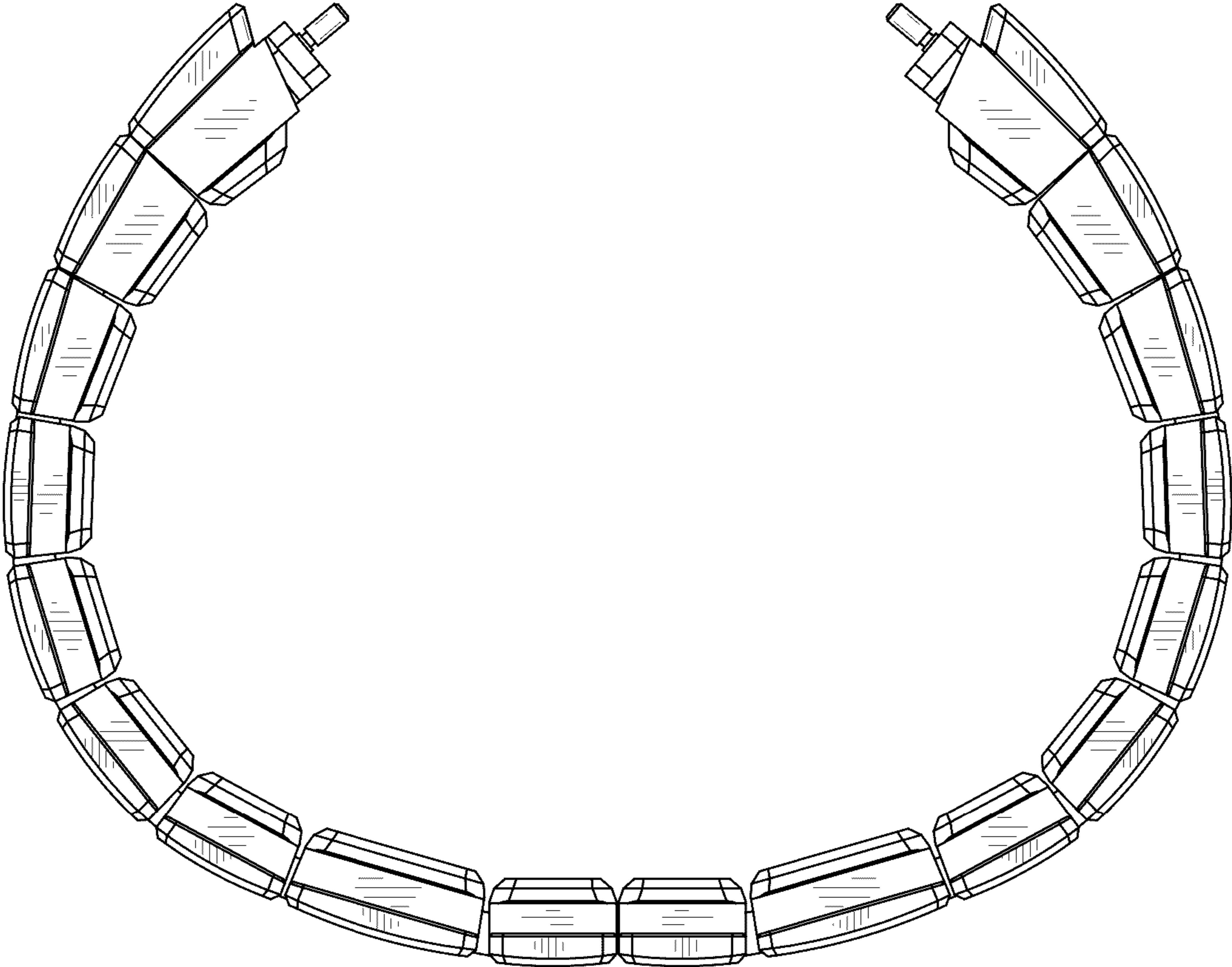


FIG. 6