



US00D769763S

(12) **United States Design Patent**
Monachon

(10) **Patent No.:** **US D769,763 S**

(45) **Date of Patent:** **** Oct. 25, 2016**

(54) **WATCH HAND**

(71) Applicant: **OMEGA LTD.**, Biel/Bienne (CH)

(72) Inventor: **Jean-Claude Monachon**, Bevaix (CH)

(73) Assignee: **OMEGA LTD.**, Biel/Bienne (CH)

(**) Term: **15 Years**

(21) Appl. No.: **29/538,900**

(22) Filed: **Sep. 9, 2015**

(30) **Foreign Application Priority Data**

Mar. 10, 2015 (WO) DM/085 819

(51) **LOC (10) Cl.** **10-07**

(52) **U.S. Cl.**
USPC **D10/127**

(58) **Field of Classification Search**

USPC D10/30-39, 122-132, 1-29

CPC G04B 19/00; G04B 19/06; G04B 19/065;

G04B 19/08; G04B 19/10; G04B 19/106;

G04B 19/26; G04B 19/262; G04B 19/268

See application file for complete search history.

(56) **References Cited**

U.S. PATENT DOCUMENTS

D178,631 S * 9/1956 Bloch D10/1

D180,059 S * 4/1957 Booharin D10/127

D291,814 S * 9/1987 Cafaro, Jr. D10/127

D348,398 S * 7/1994 Chen D10/127

D357,883 S * 5/1995 Krauss D10/122

D361,520 S * 8/1995 Chen D10/124

D416,823 S * 11/1999 Turner D10/127

D625,639 S * 10/2010 Kamata D10/126

D712,293 S * 9/2014 Cerrato D10/127

D721,001 S * 1/2015 Hochuli D10/127

D730,227 S * 5/2015 Haase D10/122

D736,112 S * 8/2015 Gual Feliu D10/127

* cited by examiner

Primary Examiner — Catheri Oliver-Garcia

Assistant Examiner — Rebekah A Caruso

(74) *Attorney, Agent, or Firm* — Donald J. Ranft; Collen IP

(57) **CLAIM**

The ornamental design for a watch hand, as shown.

DESCRIPTION

FIG. 1 is a top front perspective view of a watch hand showing my new design;

FIG. 2 is a bottom right perspective view thereof;

FIG. 3 is a top view thereof;

FIG. 4 is a bottom view thereof;

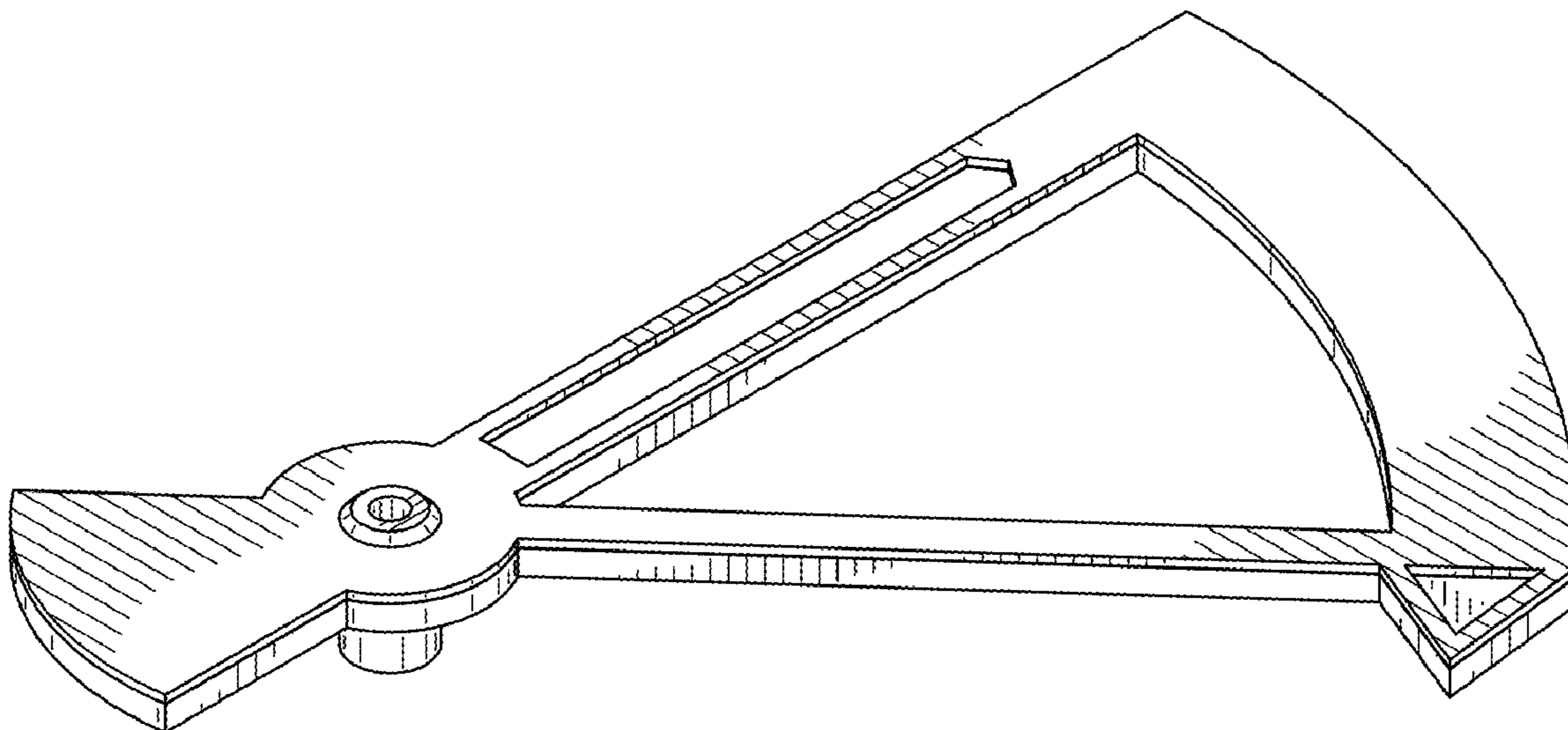
FIG. 5 is a front view thereof;

FIG. 6 is a rear view thereof;

FIG. 7 is a right side view thereof; and,

FIG. 8 is a left side view thereof.

1 Claim, 4 Drawing Sheets



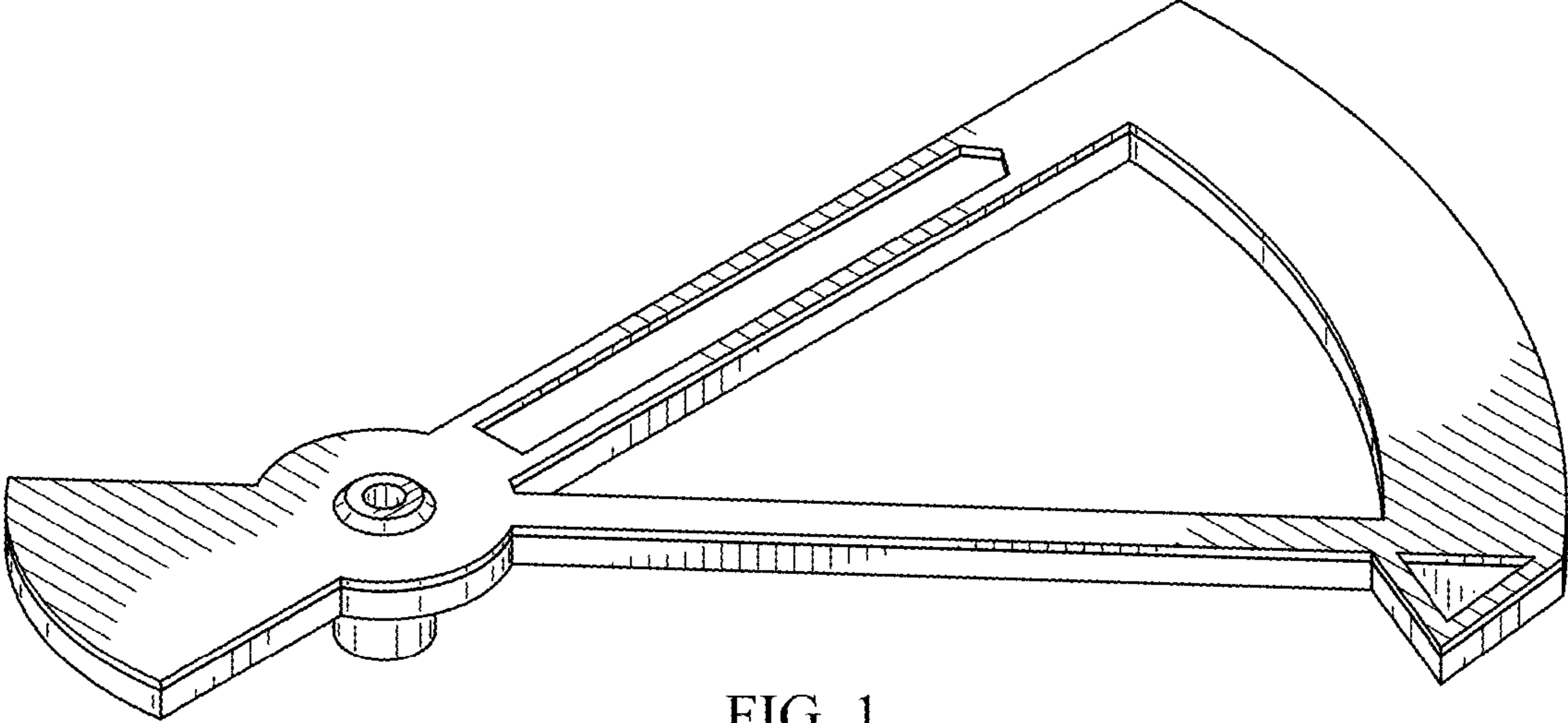


FIG. 1

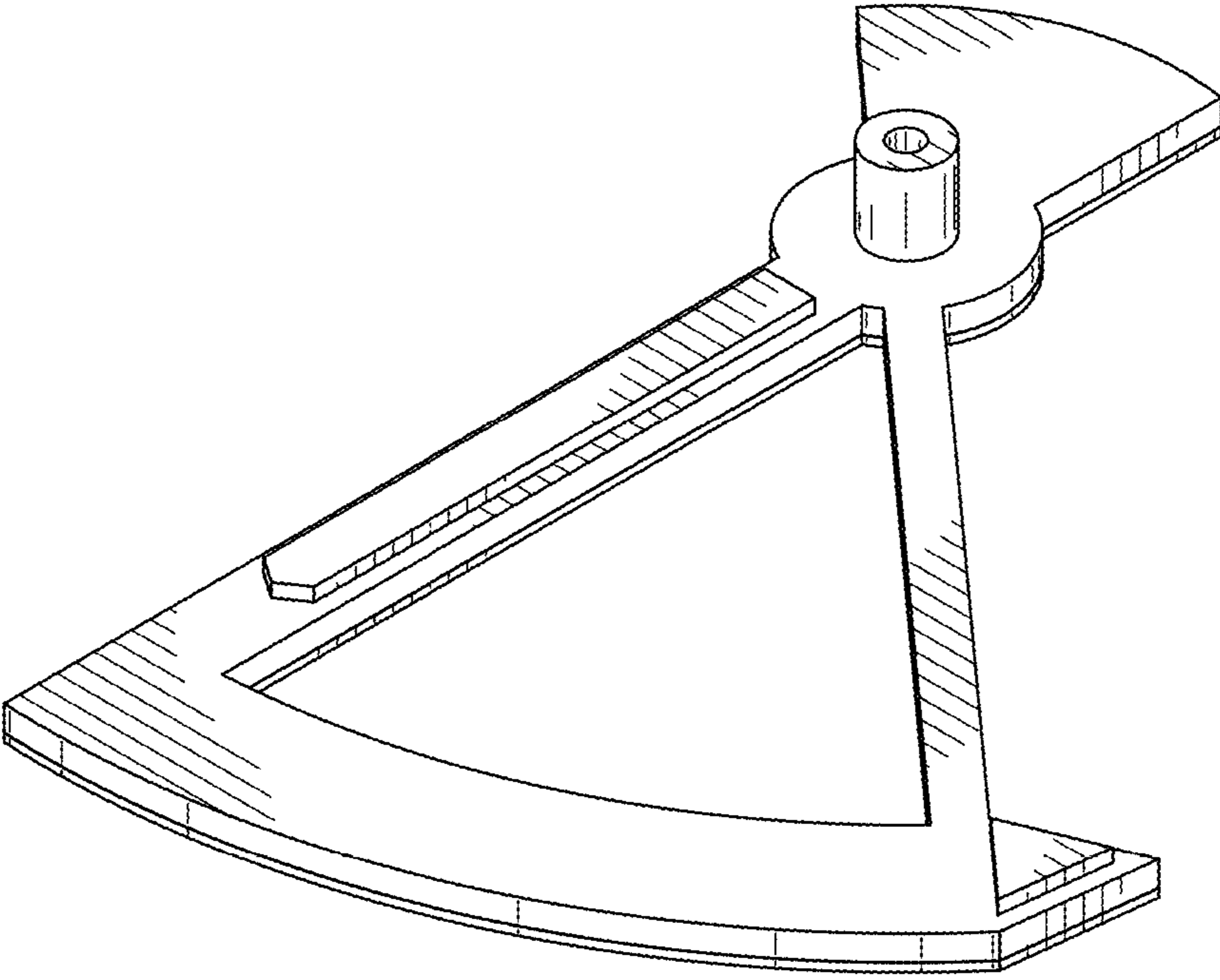


FIG. 2

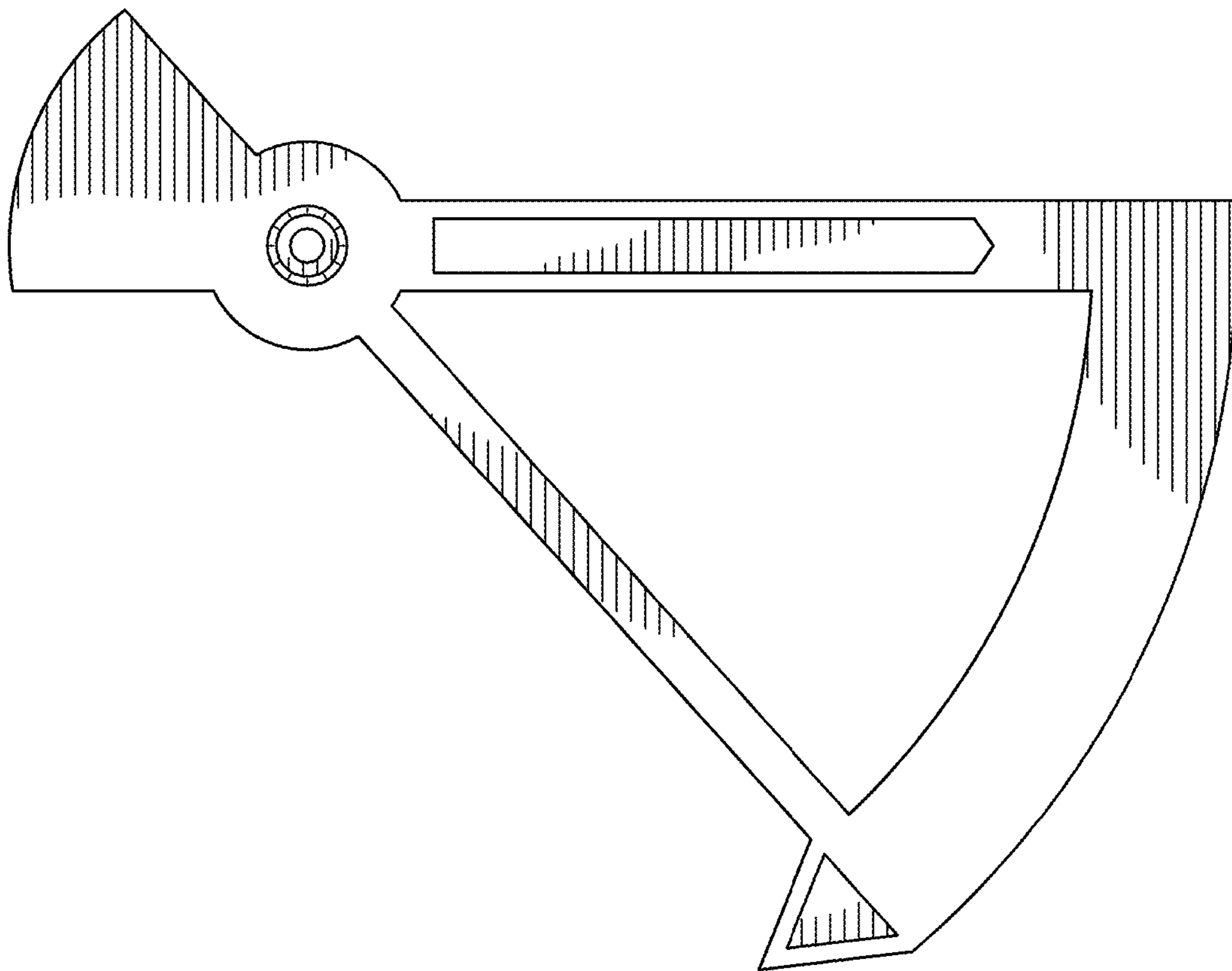


FIG. 3

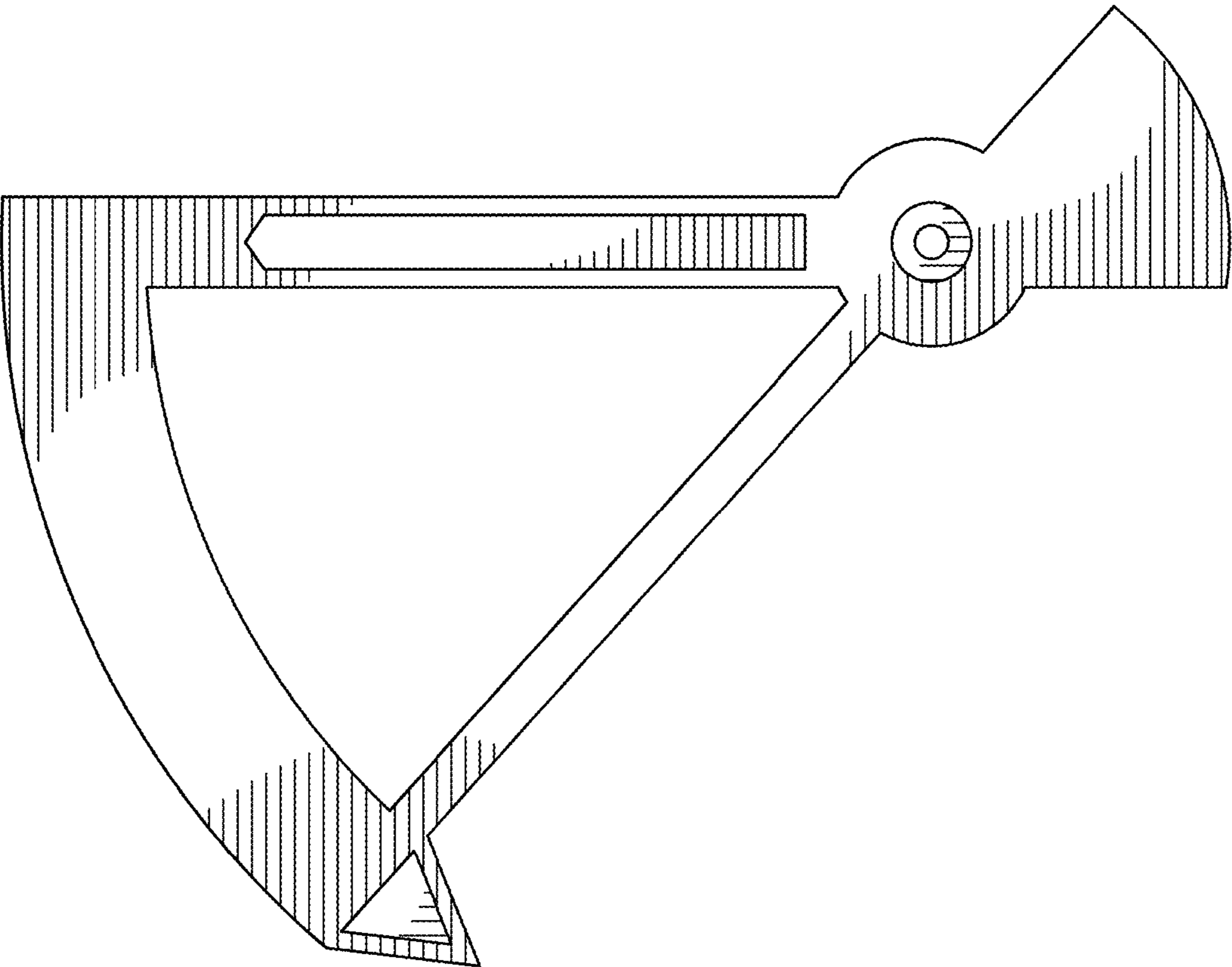


FIG. 4

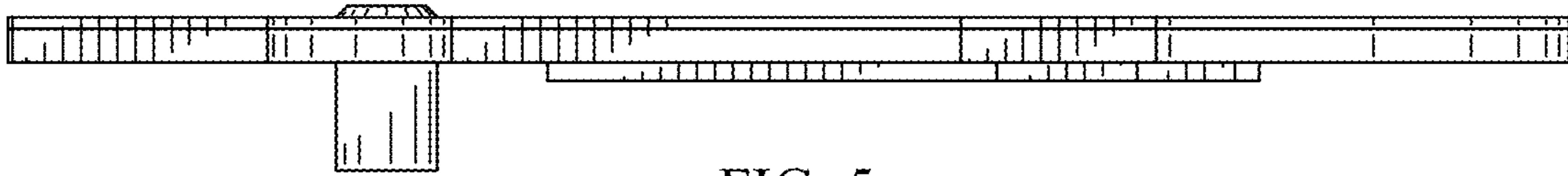


FIG. 5

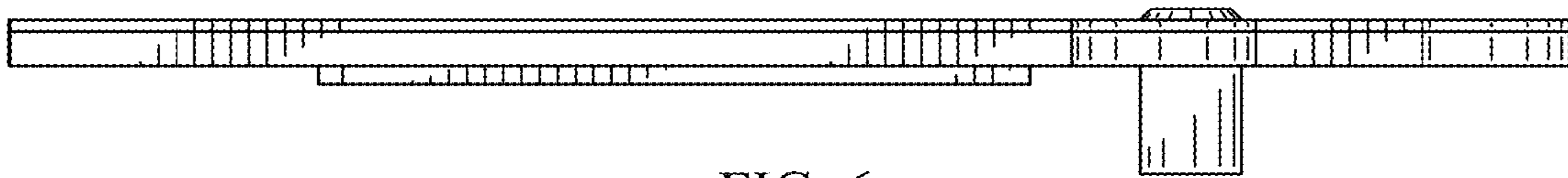


FIG. 6

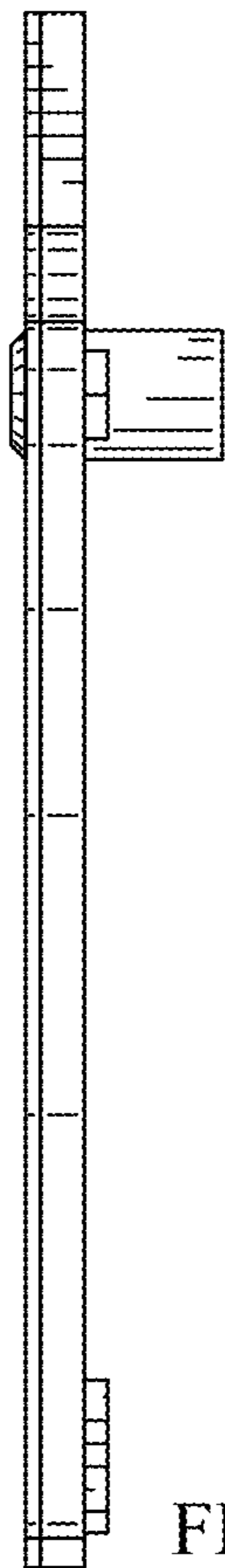


FIG. 7

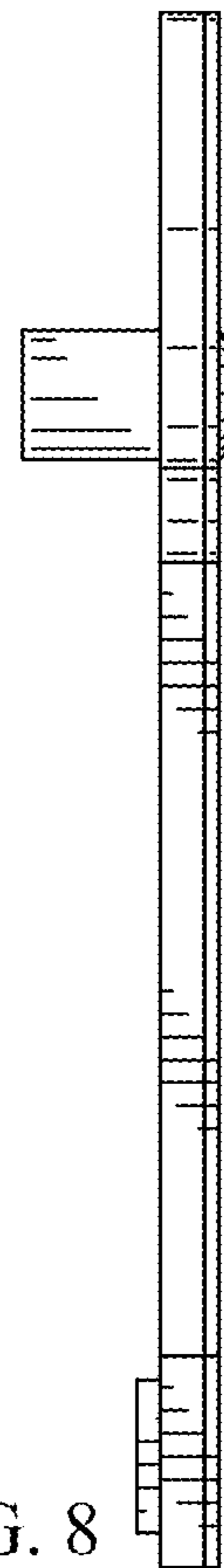


FIG. 8