



US00D769757S

(12) **United States Design Patent** (10) **Patent No.:** **US D769,757 S**  
**Savage, Jr. et al.** (45) **Date of Patent:** **\*\* Oct. 25, 2016**

(54) **NOTIFICATION APPLIANCE**

(71) Applicant: **Tyco Fire & Security GmbH**,  
Neuhausen am Rheinfall (CH)  
(72) Inventors: **Kenneth Savage, Jr.**, Fitchburg, MA  
(US); **Steven Varieur**, Winchendon,  
MA (US)  
(73) Assignee: **Tyco Fire & Security GmbH**,  
Neuhausen am Rheinfall (CH)  
(\*\*) Term: **14 Years**  
(21) Appl. No.: **29/512,235**  
(22) Filed: **Dec. 17, 2014**  
**Related U.S. Application Data**

(63) Continuation of application No. 14/514,113, filed on  
Oct. 14, 2014.  
(51) **LOC (10) Cl.** ..... **10-05**  
(52) **U.S. Cl.**  
USPC ..... **D10/109.2**  
(58) **Field of Classification Search**  
USPC ..... D10/114.1, 109.2, 111  
CPC ..... G08B 5/38; G08B 3/10  
See application file for complete search history.

(56) **References Cited**

**U.S. PATENT DOCUMENTS**

D296,532 S \* 7/1988 Kamensky ..... D10/114.1  
D374,635 S \* 10/1996 Hur ..... D10/109.2

(Continued)

**FOREIGN PATENT DOCUMENTS**

EP 2 711 615 A1 3/2014  
GB 2506138 B 11/2014

*Primary Examiner* — George D Kirschbaum

(74) *Attorney, Agent, or Firm* — Brinks Gilson & Lione

(57) **CLAIM**

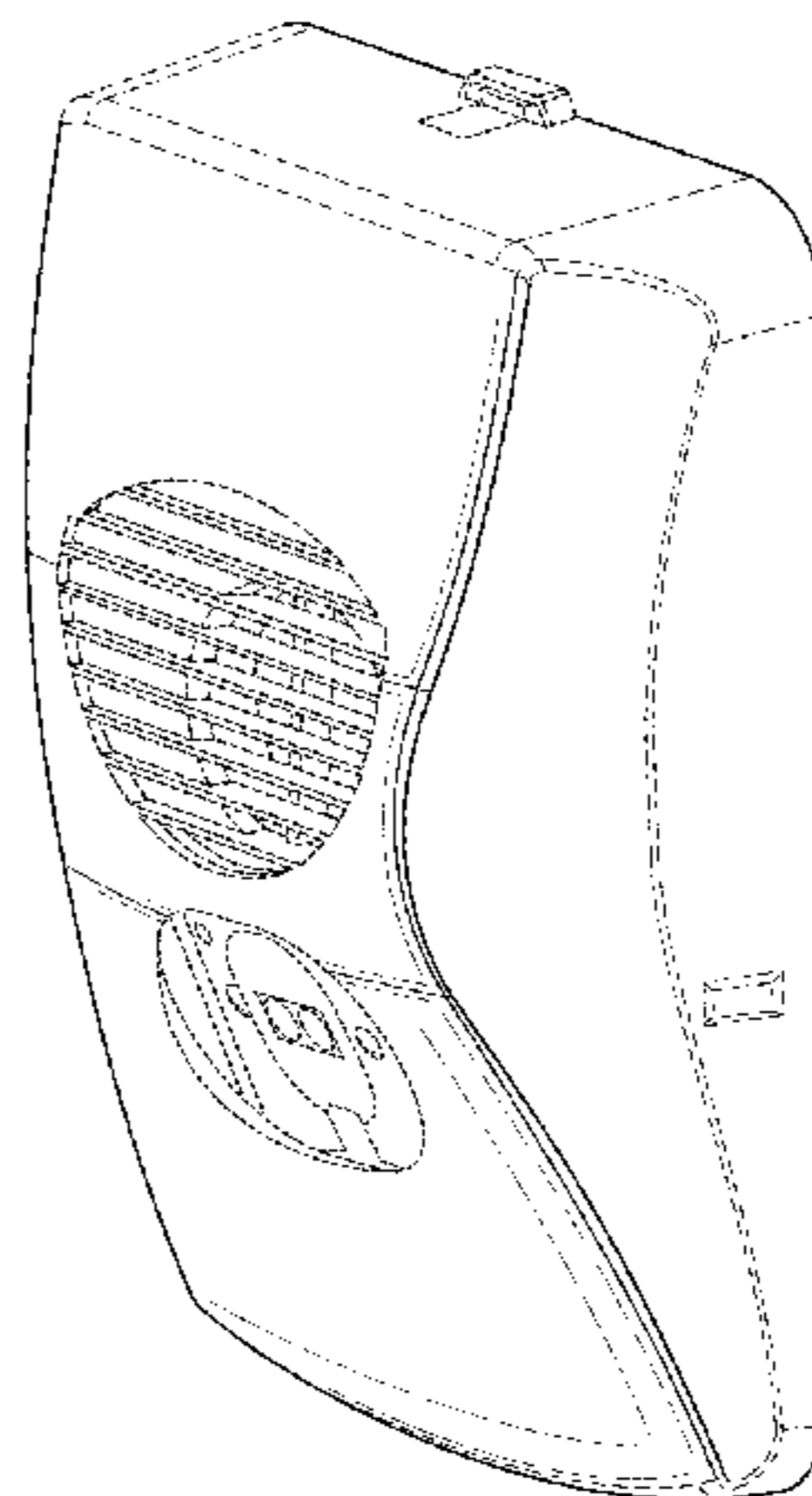
The ornamental design for a notification appliance, as shown  
and described.

**DESCRIPTION**

FIG. 1 is a front perspective view of a notification appliance  
in a first embodiment of the present invention of our new  
design;

FIG. 2 is a front elevation view of the first embodiment of  
the present invention;  
FIG. 3 is a back elevation view of the first embodiment of  
the present invention;  
FIG. 4 is a top elevation view of the first embodiment of the  
present invention;  
FIG. 5 is a bottom elevation view of the first embodiment of  
the present invention;  
FIG. 6 is a left elevation view of the first embodiment of the  
present invention;  
FIG. 7 is a right elevation view of the first embodiment of  
the present invention;  
FIG. 8 is a front perspective view of a notification appliance  
in a second embodiment of the present invention illustrating  
the notification appliance with a visual output for illustrative  
purposes that forms no part of the claimed design;  
FIG. 9 is a front elevation view of the second embodiment  
of the present invention;  
FIG. 10 is a top elevation view of the second embodiment  
of the present invention;  
FIG. 11 is a bottom elevation view of the second embodi-  
ment of the present invention;  
FIG. 12 is a left elevation view of the second embodiment  
of the present invention;  
FIG. 13 is a right elevation view of the second embodiment  
of the present invention;  
FIG. 14 is a front perspective view of a notification appli-  
ance in a second embodiment of the present invention  
illustrating the notification appliance with an audio output  
for illustrative purposes that forms no part of the claimed  
design;  
FIG. 15 is a front elevation view of the second embodiment  
of the present invention;  
FIG. 16 is a top elevation view of the second embodiment  
of the present invention;  
FIG. 17 is a bottom elevation view of the second embodi-  
ment of the present invention; and,  
FIG. 18 is a right elevation view of the second embodiment  
of the present invention.  
In the figures the broken lines depict environmental subject  
matter that forms no part of the claimed design.

**1 Claim, 13 Drawing Sheets**



# US D769,757 S

Page 2

(56)

## References Cited

### U.S. PATENT DOCUMENTS

D442,104 S *	5/2001	Costa	.....	D10/109.2	D608,235 S *	1/2010	Ishikawa	.....	D10/114.1
D513,199 S *	12/2005	Costa	.....	D10/109.2	8,723,682 B2	5/2014	Savage, Jr.		
7,006,003 B2 *	2/2006	Zimmerman	.....	G08B 5/38	8,760,301 B2	6/2014	Savage, Jr.		
				340/293	8,773,276 B2	7/2014	Savage, Jr.		
D552,292 S *	10/2007	Martineau	.....	D10/111	8,796,931 B2	8/2014	Savage, Jr.		
D568,194 S *	5/2008	Vojinovic	.....	D10/109.2	8,797,724 B2 *	8/2014	Andrews	.....	G08B 3/10
									340/540
					8,890,707 B2	11/2014	Savage, Jr.		
					8,890,708 B2	11/2014	Savage, Jr.		

\* cited by examiner

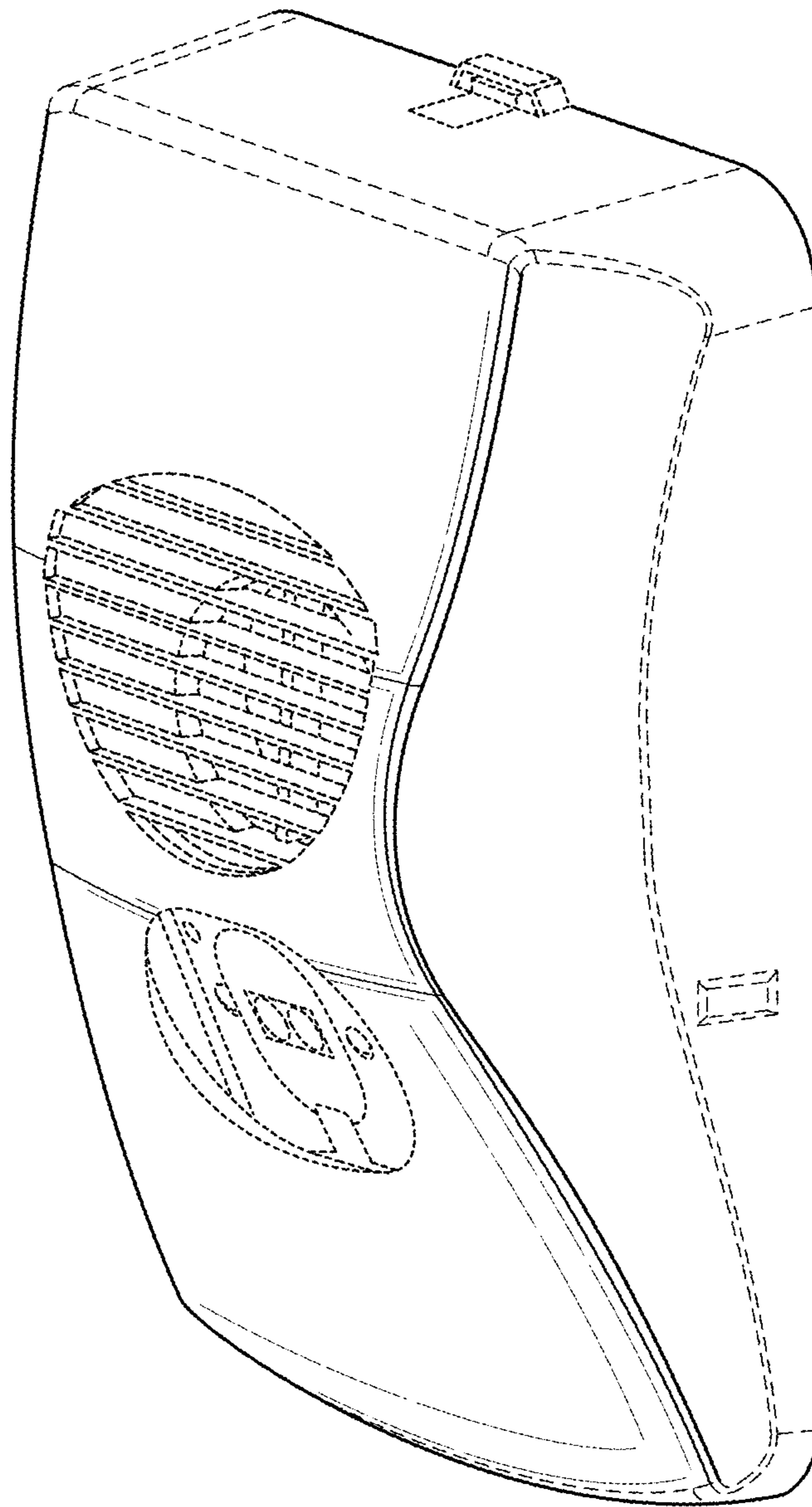


FIG. 1

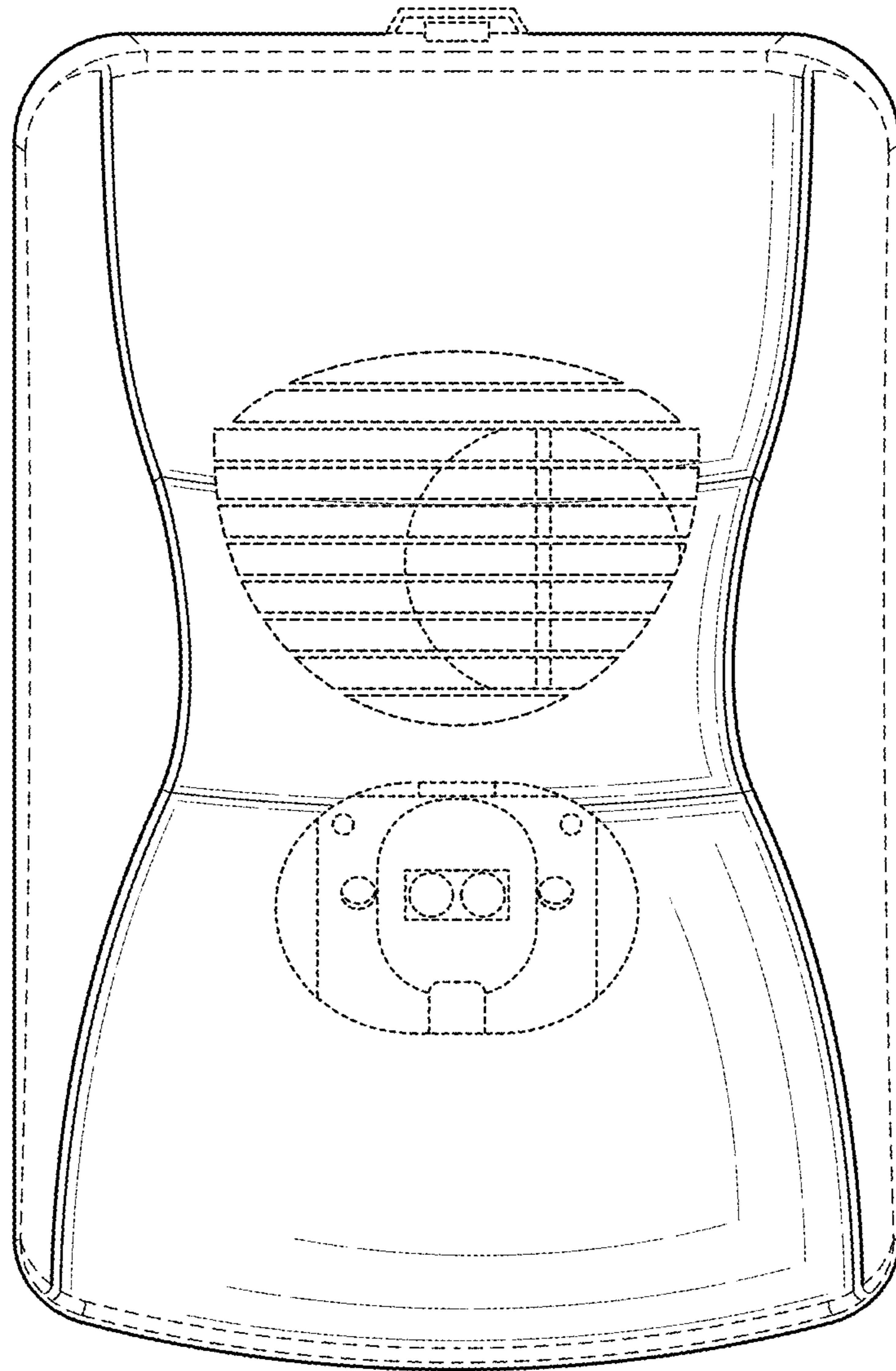


FIG. 2

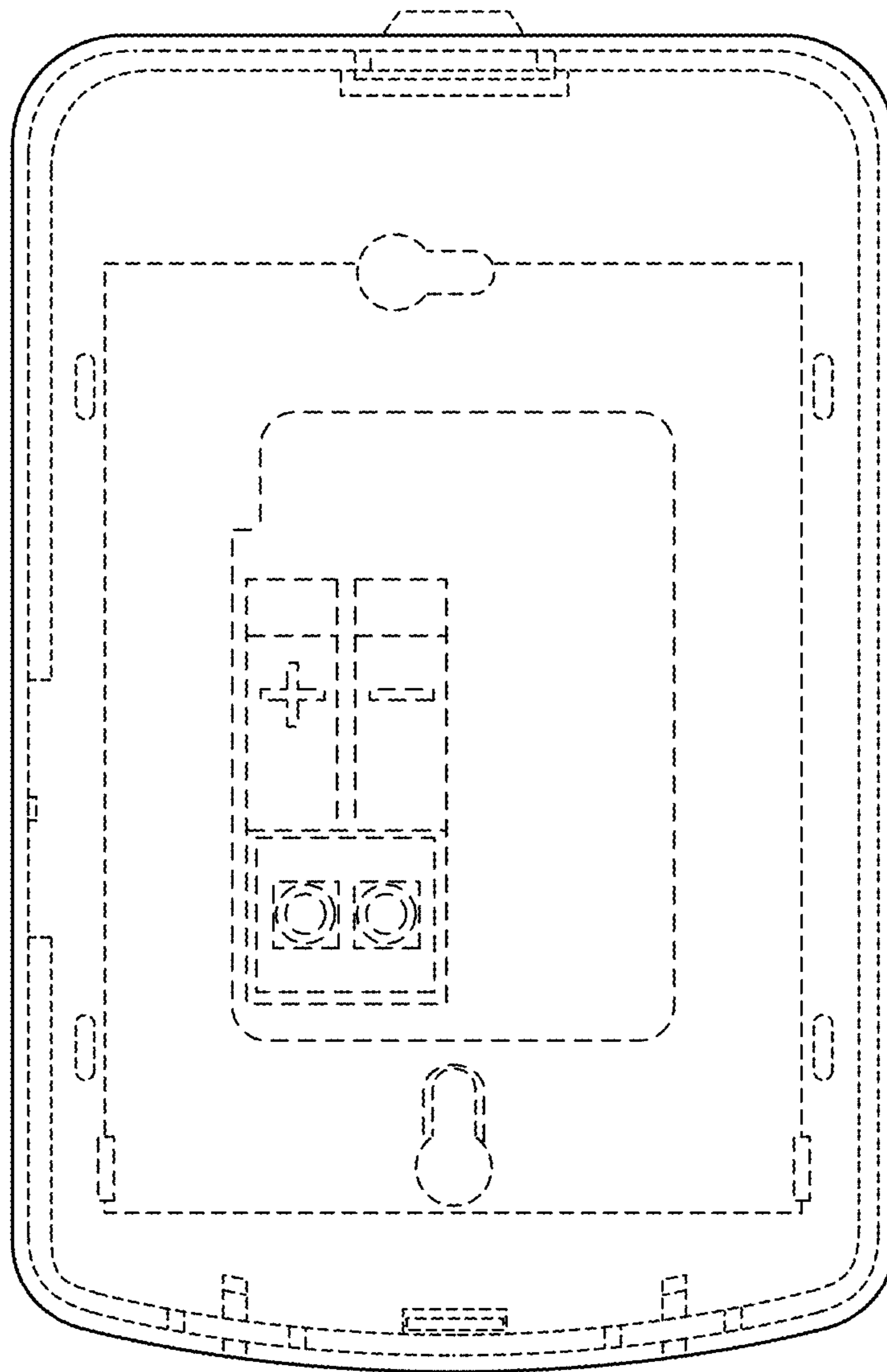


FIG. 3

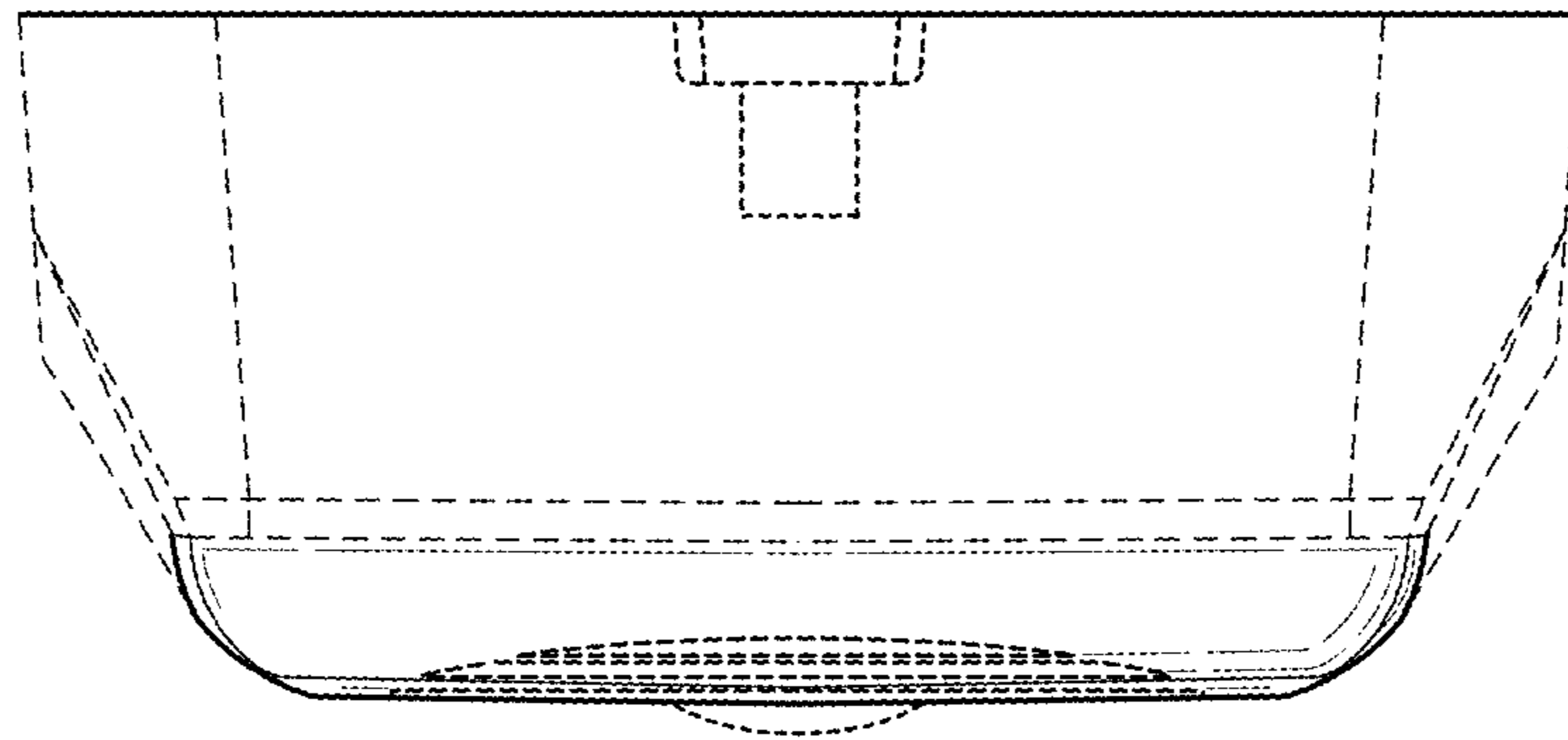


FIG. 4

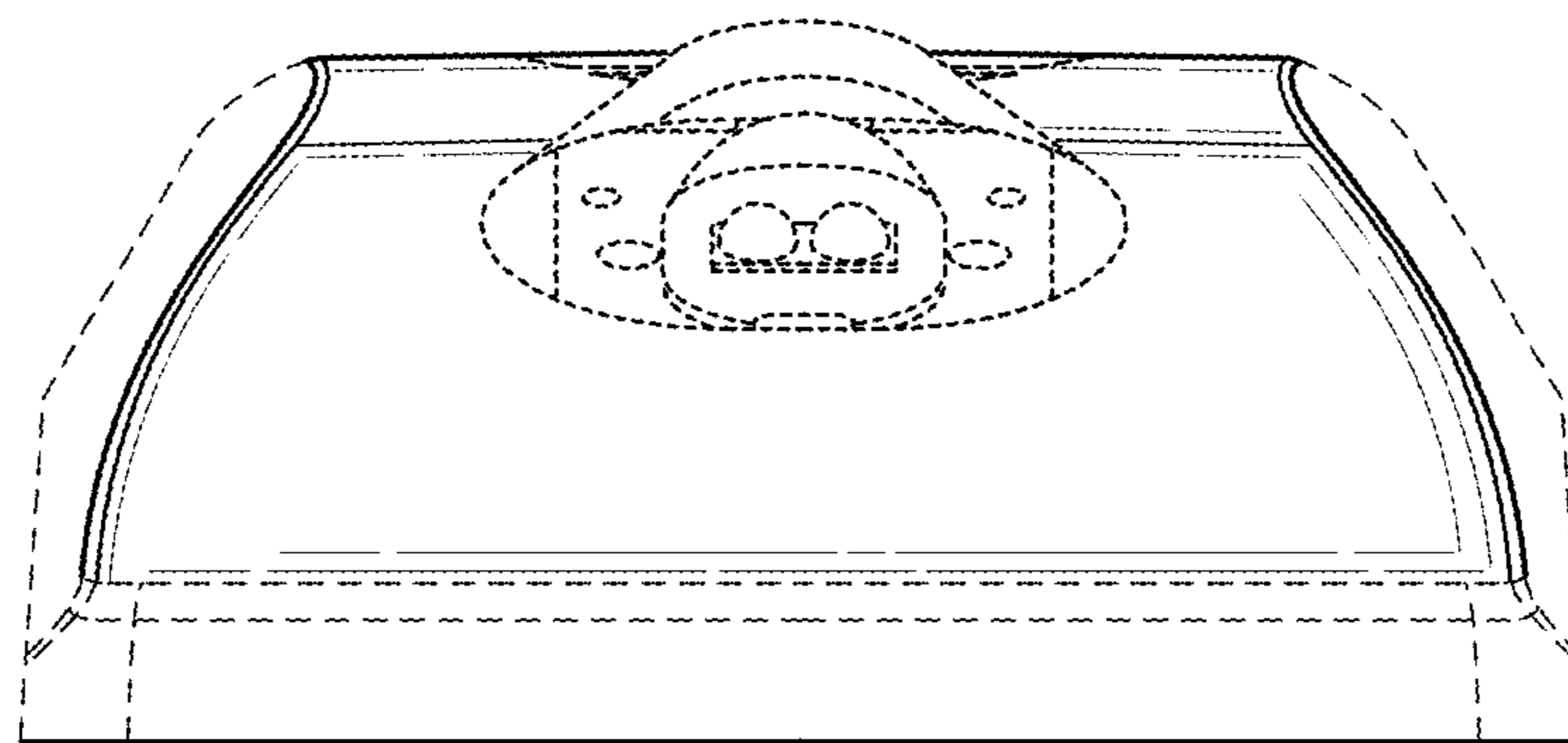


FIG. 5

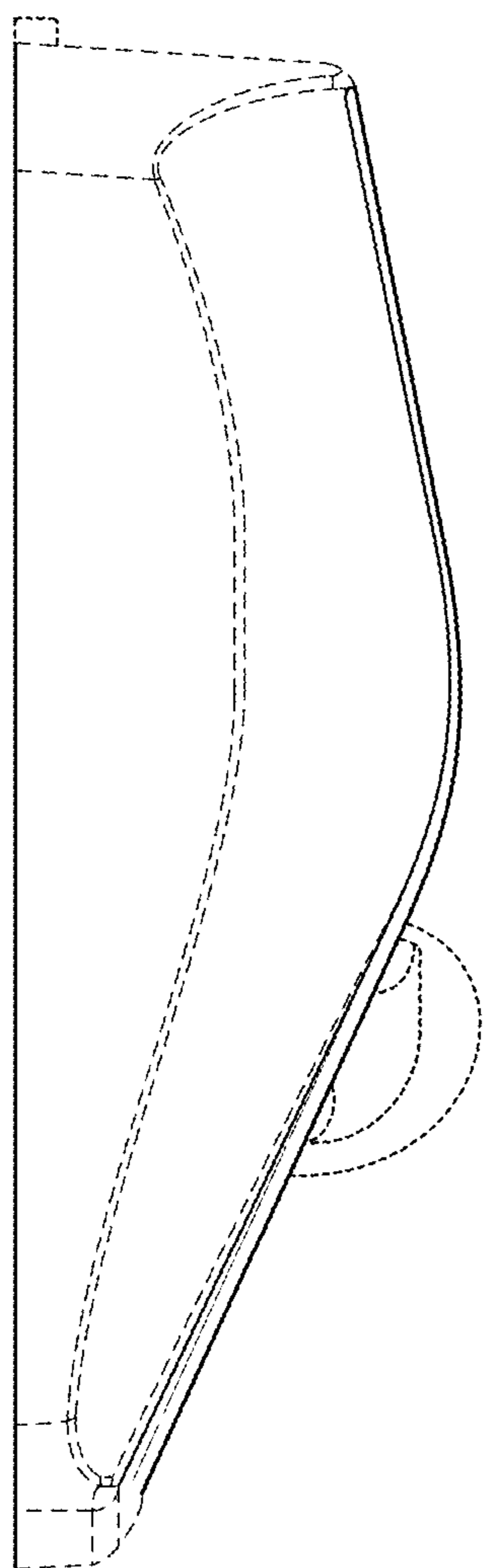


FIG. 6

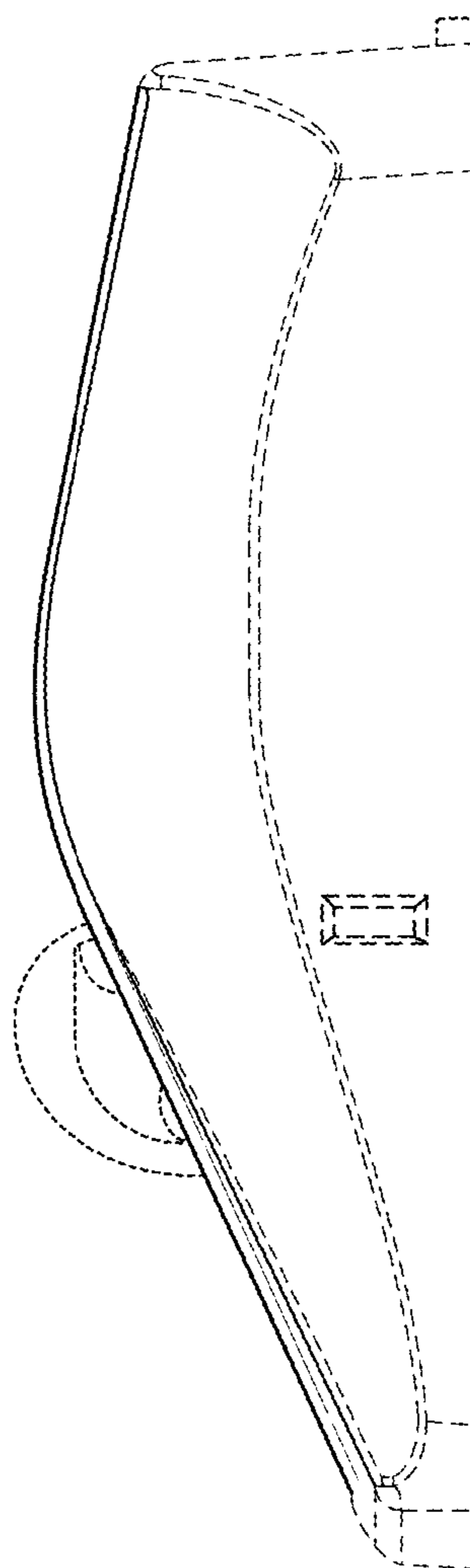


FIG. 7

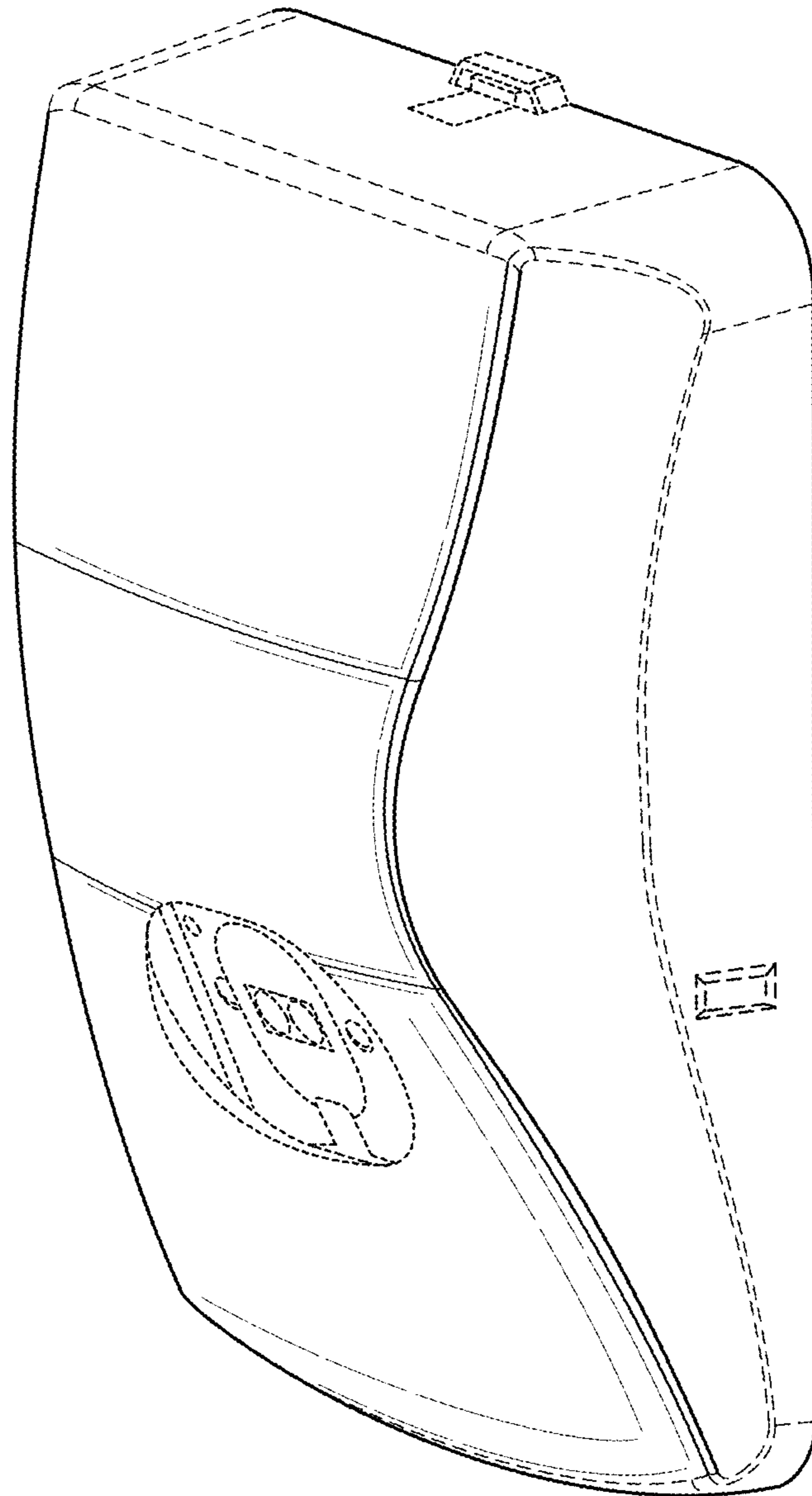


FIG. 8



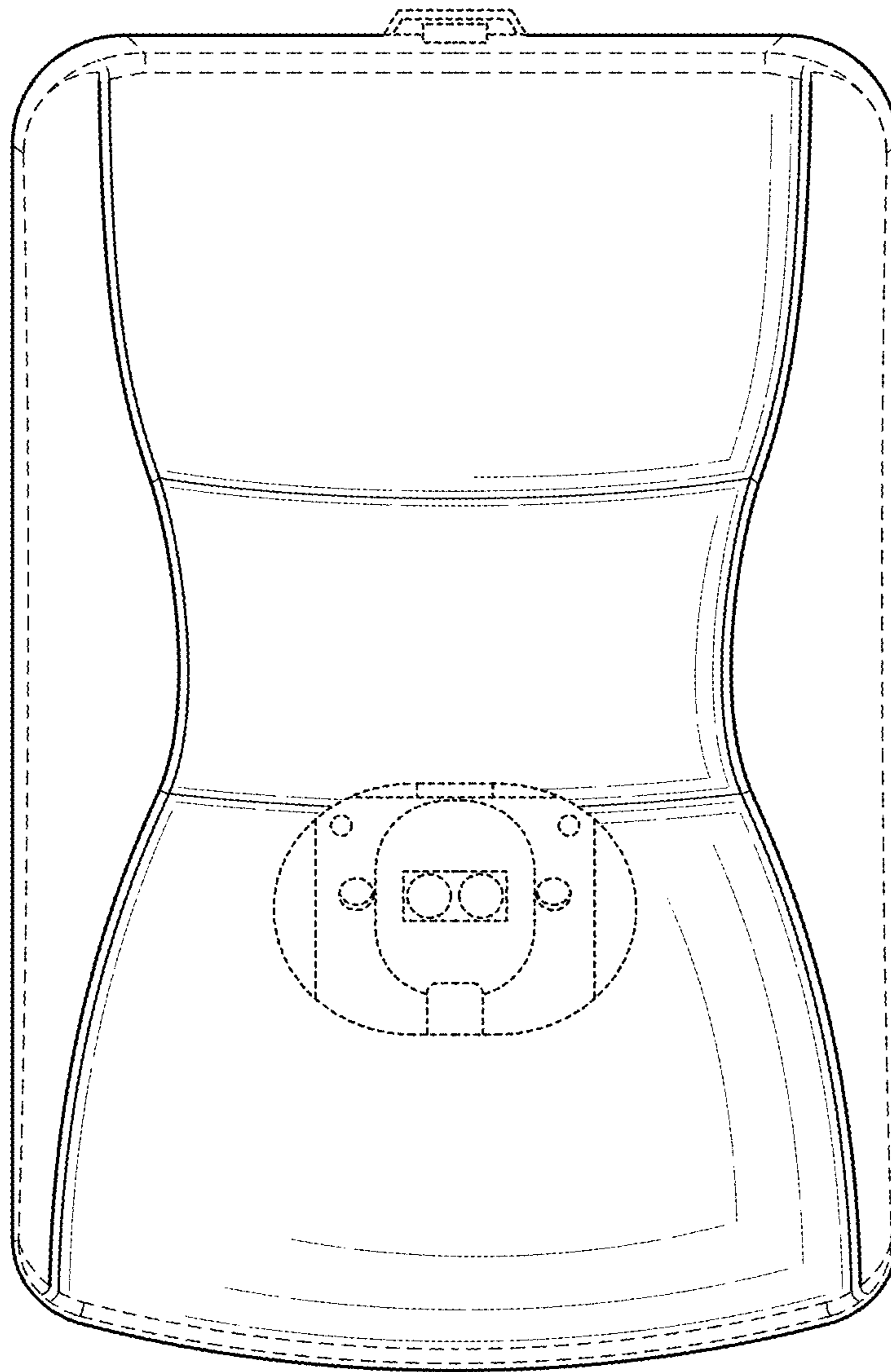


FIG. 9

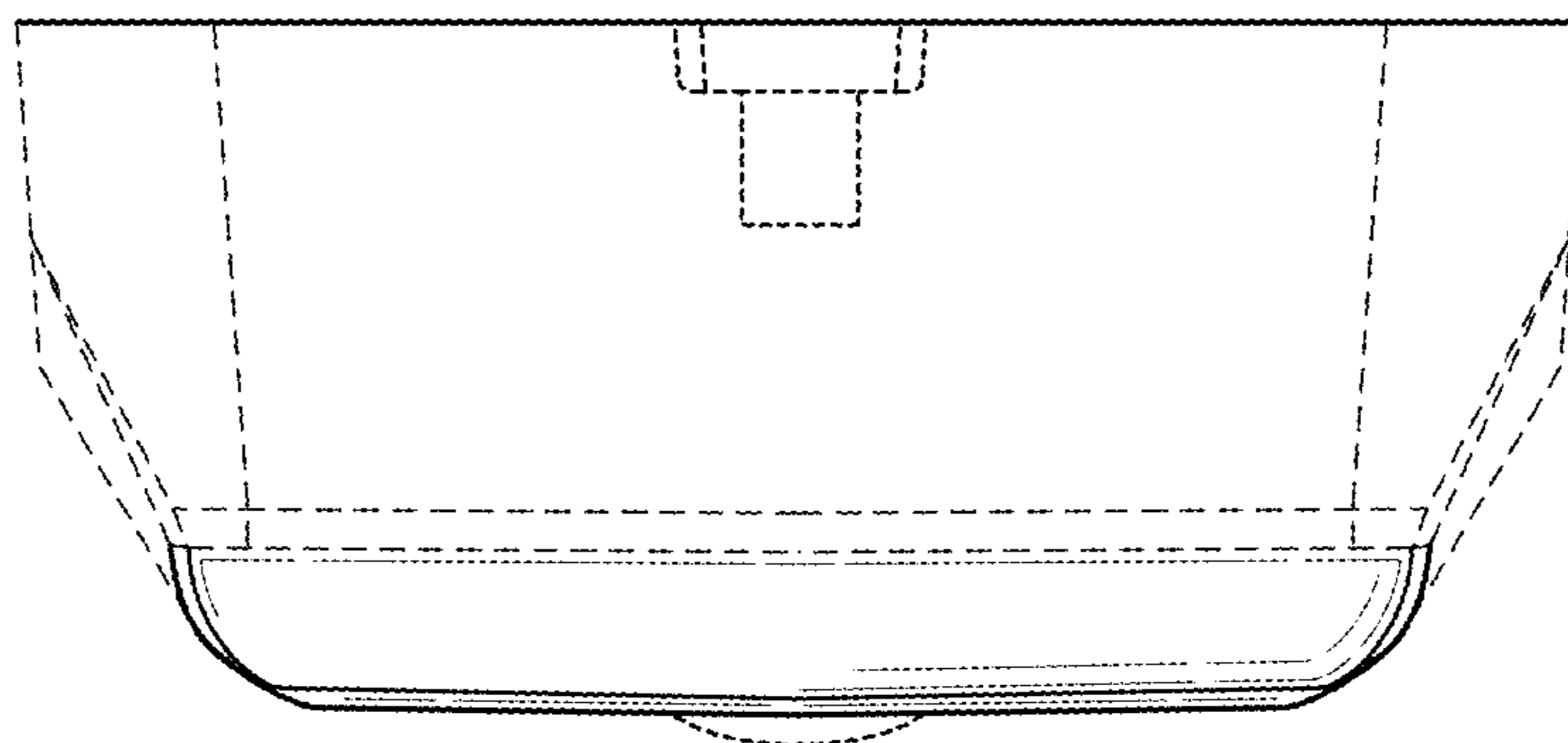


FIG. 10

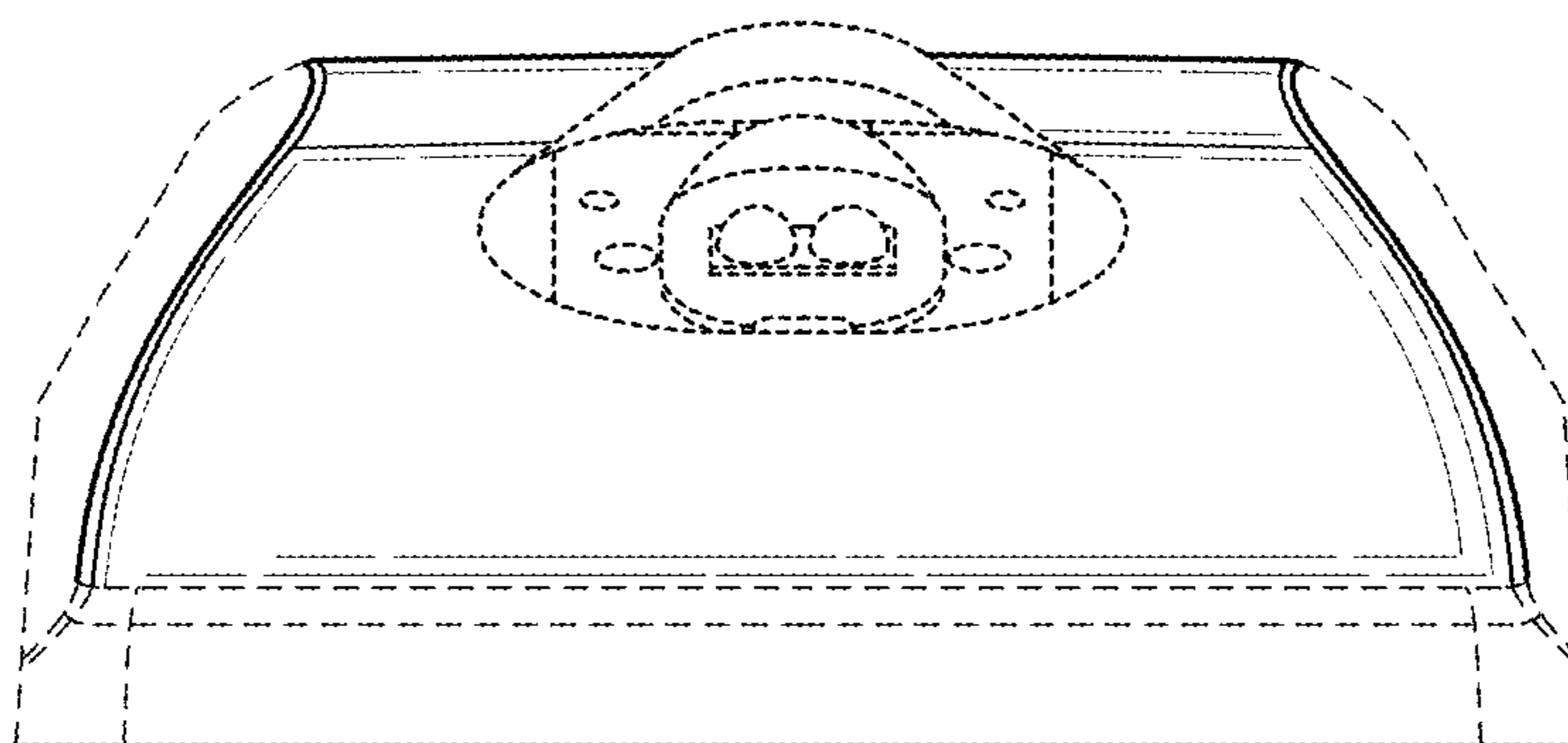


FIG. 11

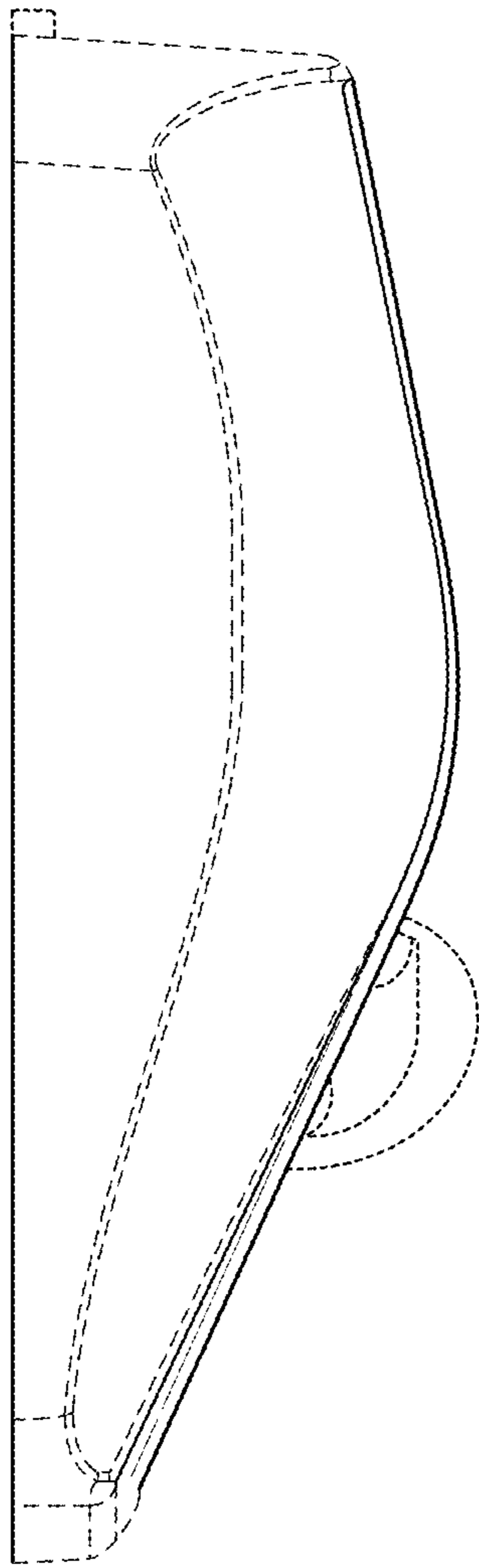


FIG. 12

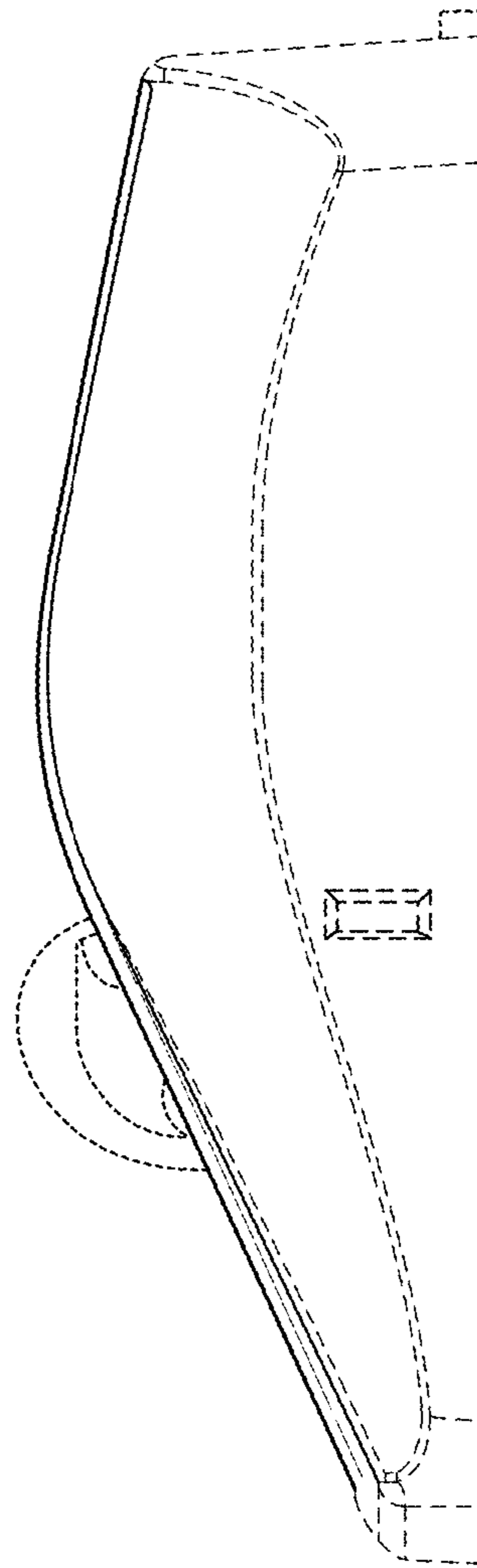


FIG. 13

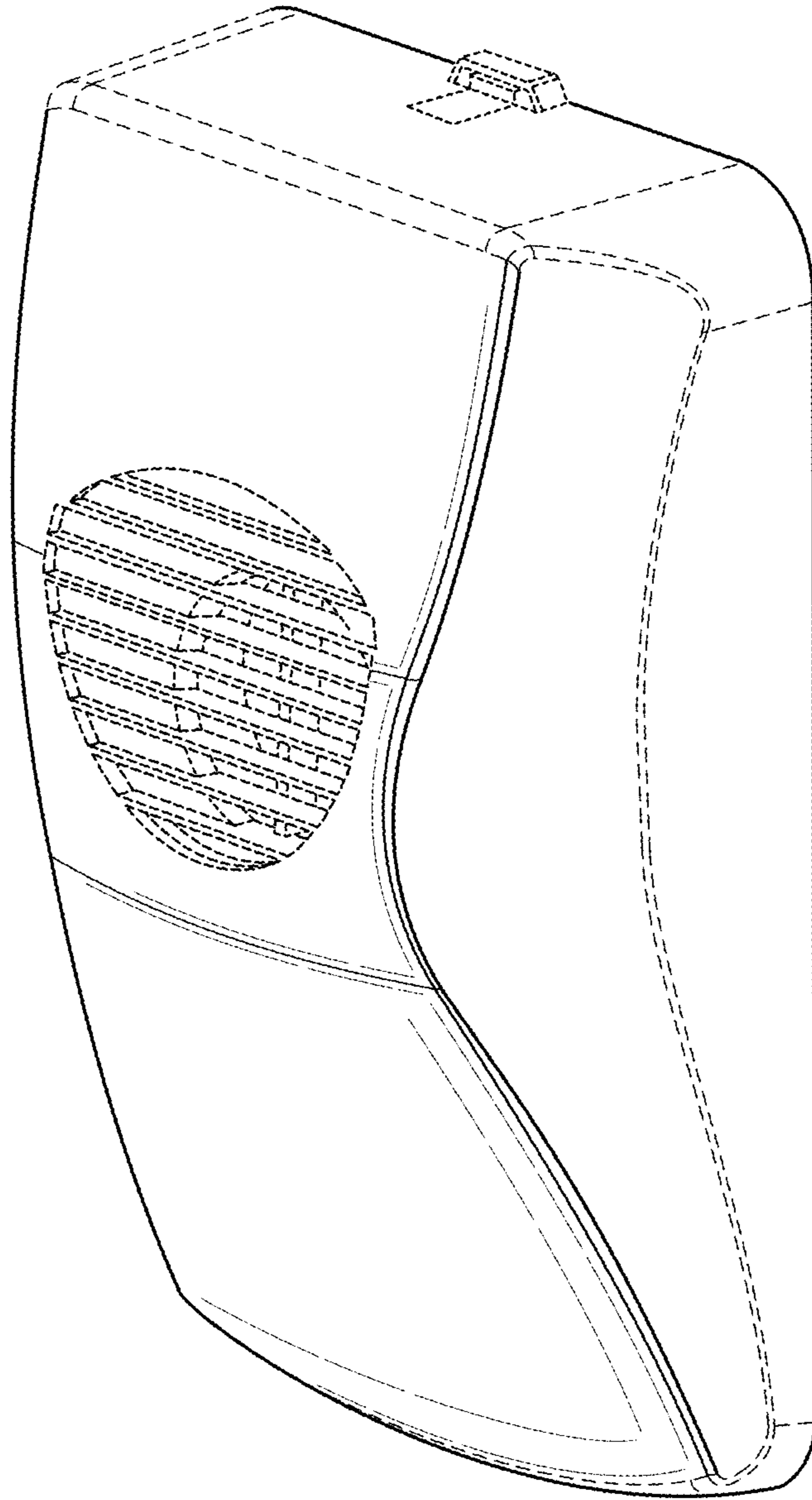


FIG. 14

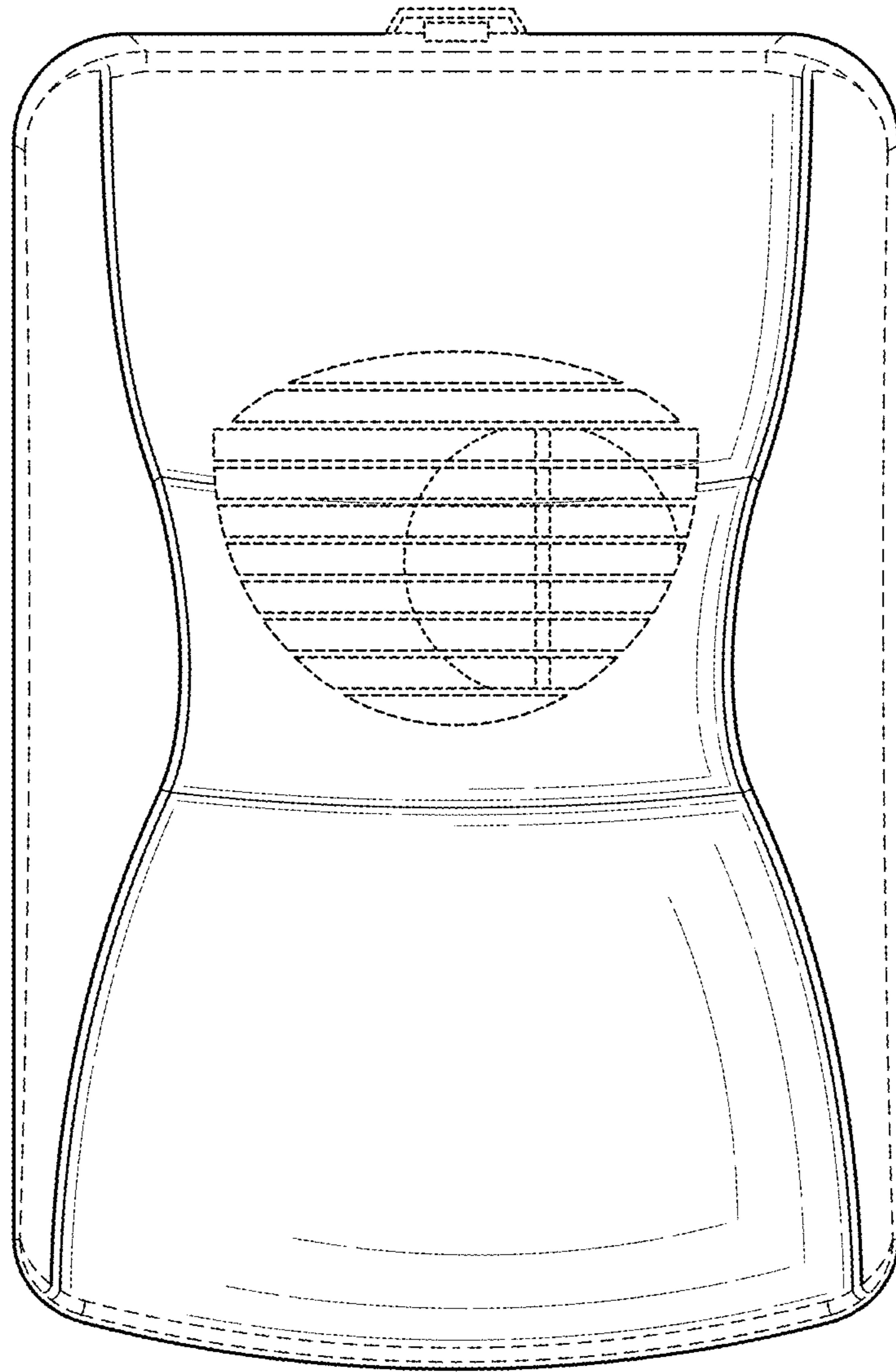


FIG. 15

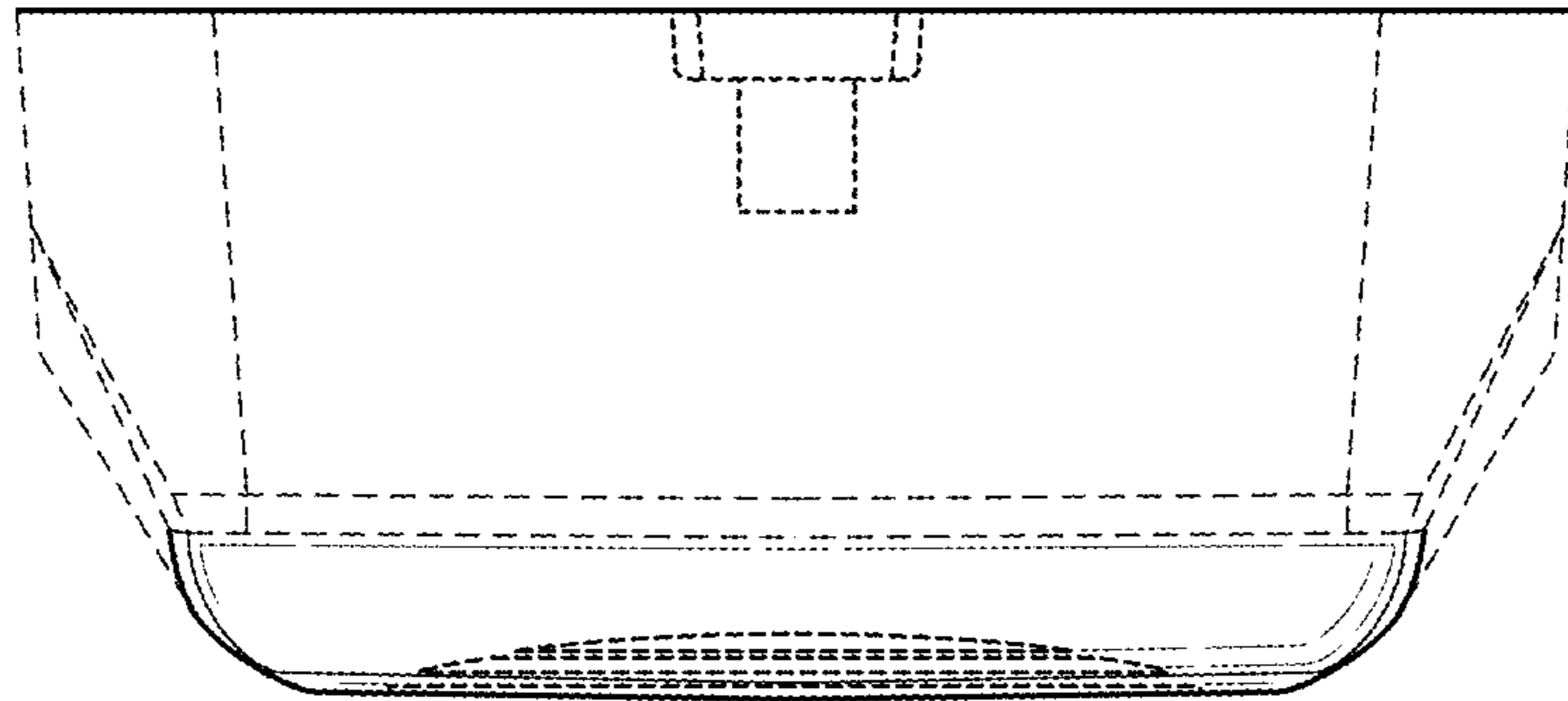


FIG. 16

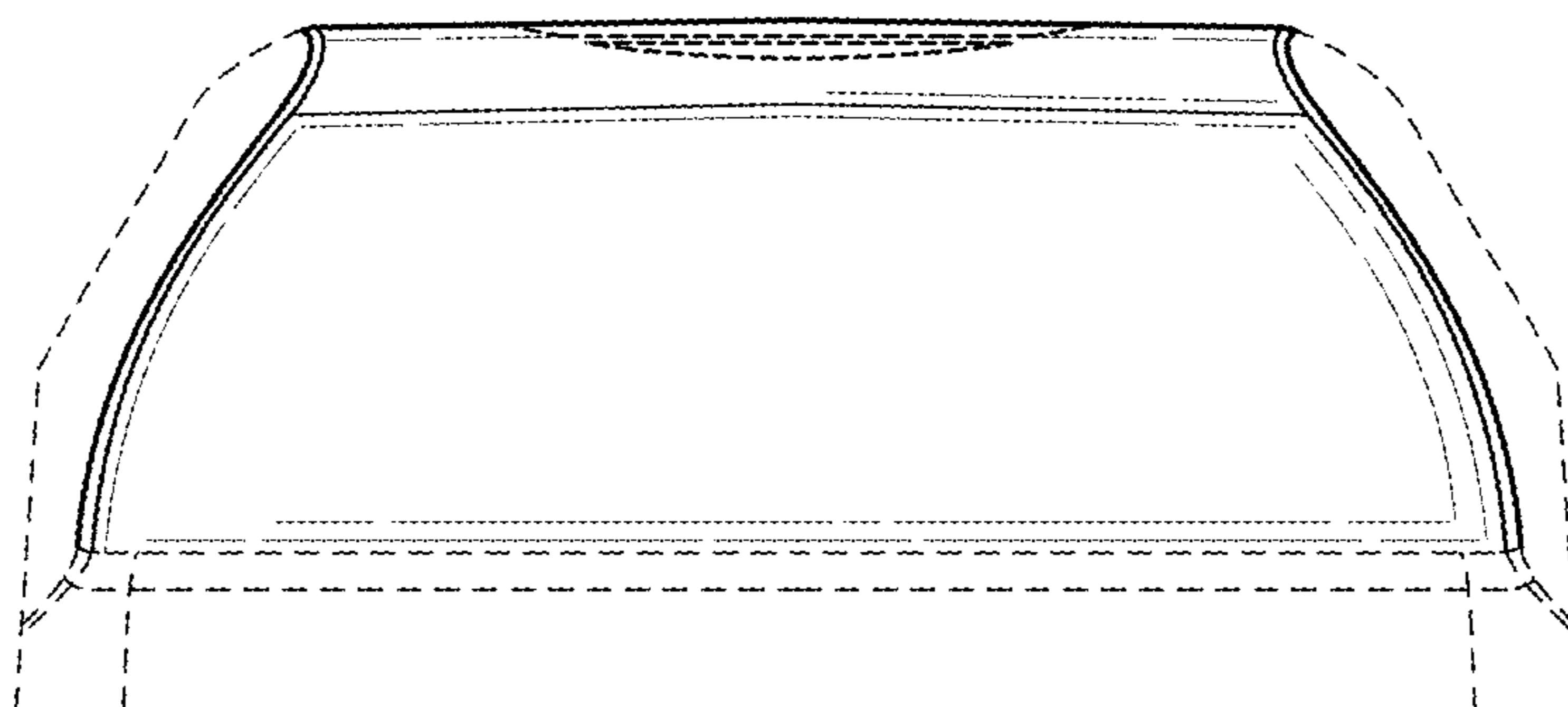


FIG. 17

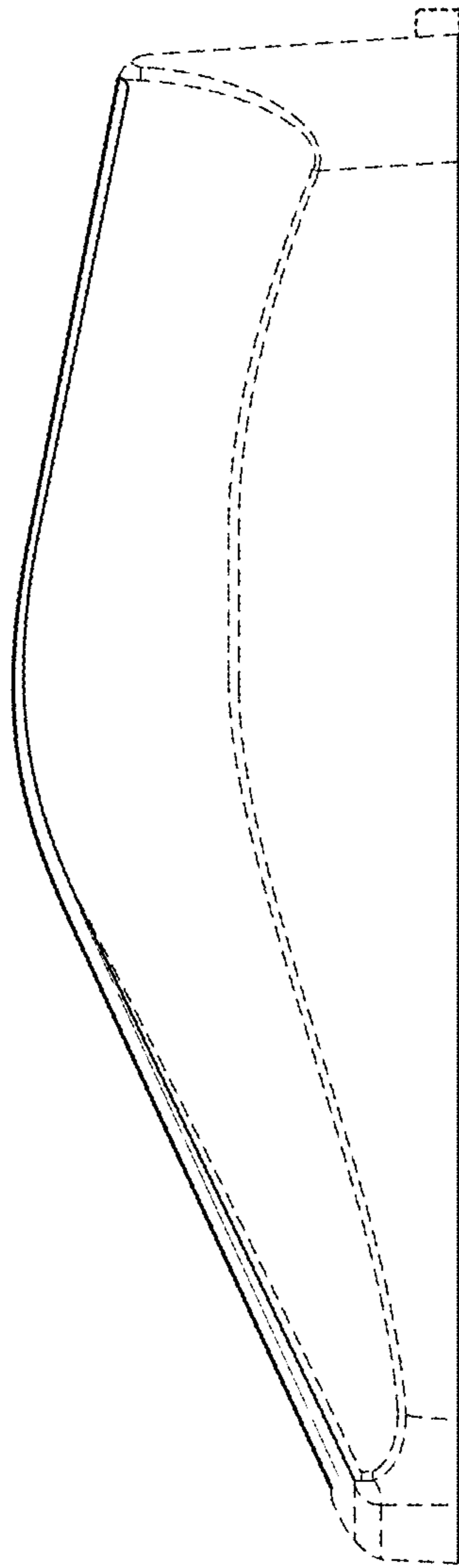


FIG. 18