

US00D769755S

(12) **United States Design Patent**
Bargh et al.

(10) **Patent No.:** **US D769,755 S**
(45) **Date of Patent:** **** Oct. 25, 2016**

(54) **BIOREACTOR VESSEL**
(71) Applicant: **TAP BIOSYSTEMS (PHC) LIMITED**, Royston, Hertfordshire (GB)
(72) Inventors: **Adrian Neil Bargh**, Royston (GB); **Adrian James Stacey**, Cambridge (GB); **Sean Kenneth Sullivan**, Baldock (GB)
(73) Assignee: **TAP Biosystems (PHC) Limited**, Royston, Hertfordshire (GB)

(**) Term: **15 Years**

(21) Appl. No.: **29/530,428**

(22) Filed: **Jun. 16, 2015**

(30) **Foreign Application Priority Data**

Dec. 18, 2014 (EM) 001427694-0001

(51) **LOC (10) Cl.** **10-04**

(52) **U.S. Cl.**
USPC **D10/81; D24/224**

(58) **Field of Classification Search**
USPC D10/81; D24/216, 224, 227, 231
CPC C12M 21/00; C12M 21/02; C12M 21/04; C12M 21/06; C12M 21/08; C12M 21/10; C12M 21/12; C12M 21/14; C12M 21/16; C12M 21/18; C12M 23/00; C12M 23/02; C12M 23/06; C12M 23/44; C12M 23/58; C12M 23/34; C12M 23/14; C12M 27/00

See application file for complete search history.

(56) **References Cited**

U.S. PATENT DOCUMENTS

D311,876 S * 11/1990 Kiegami D10/81
D325,638 S * 4/1992 Sloat D24/224
7,144,727 B2 * 12/2006 Akers C12M 23/06
210/257.2
D642,282 S * 7/2011 Bargh D24/224
D679,412 S * 4/2013 Khamu D24/224
D735,880 S * 8/2015 Bargh D24/224

* cited by examiner

Primary Examiner — Antoine D Davis

(74) *Attorney, Agent, or Firm* — Dickinson Wright PLLC

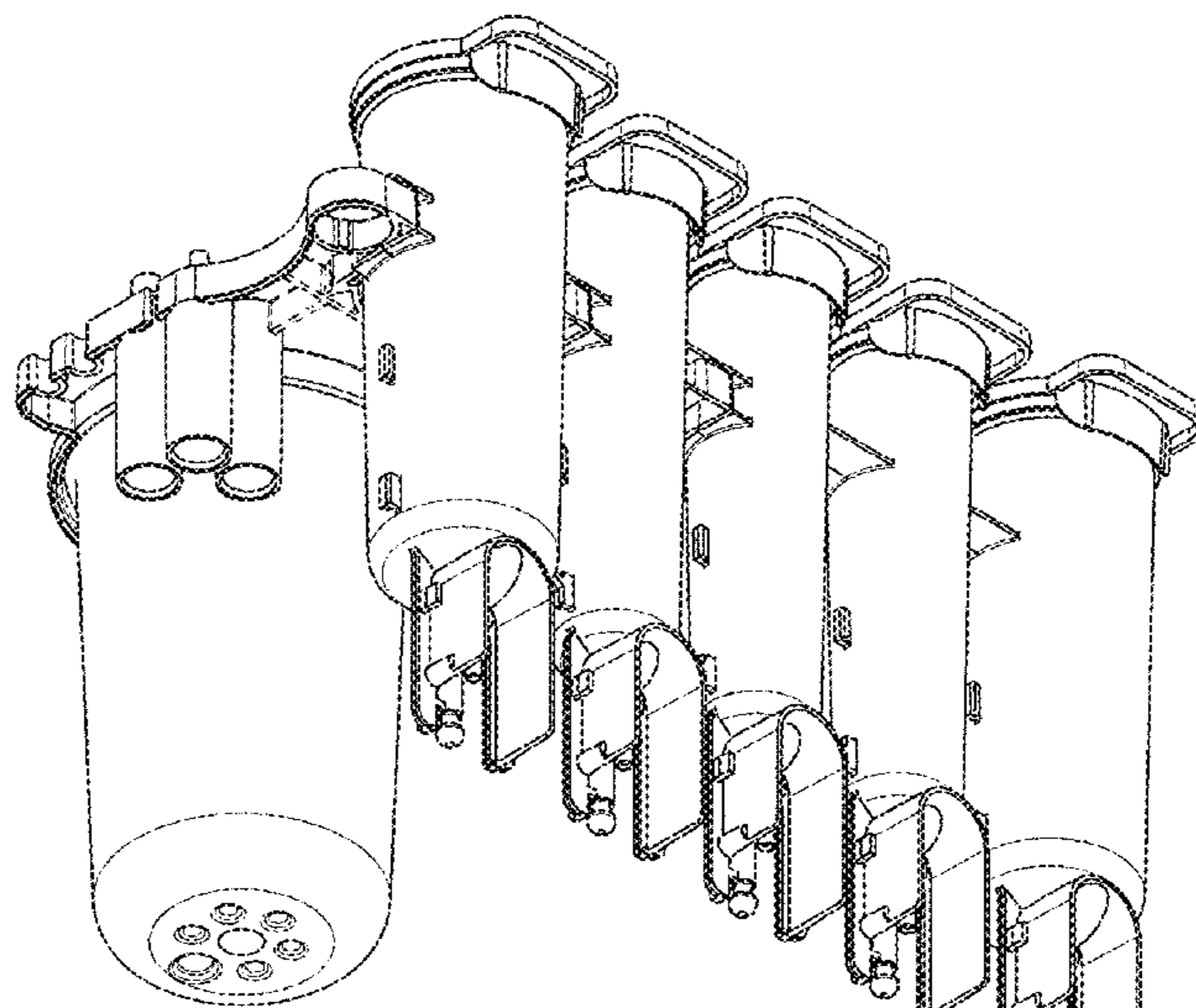
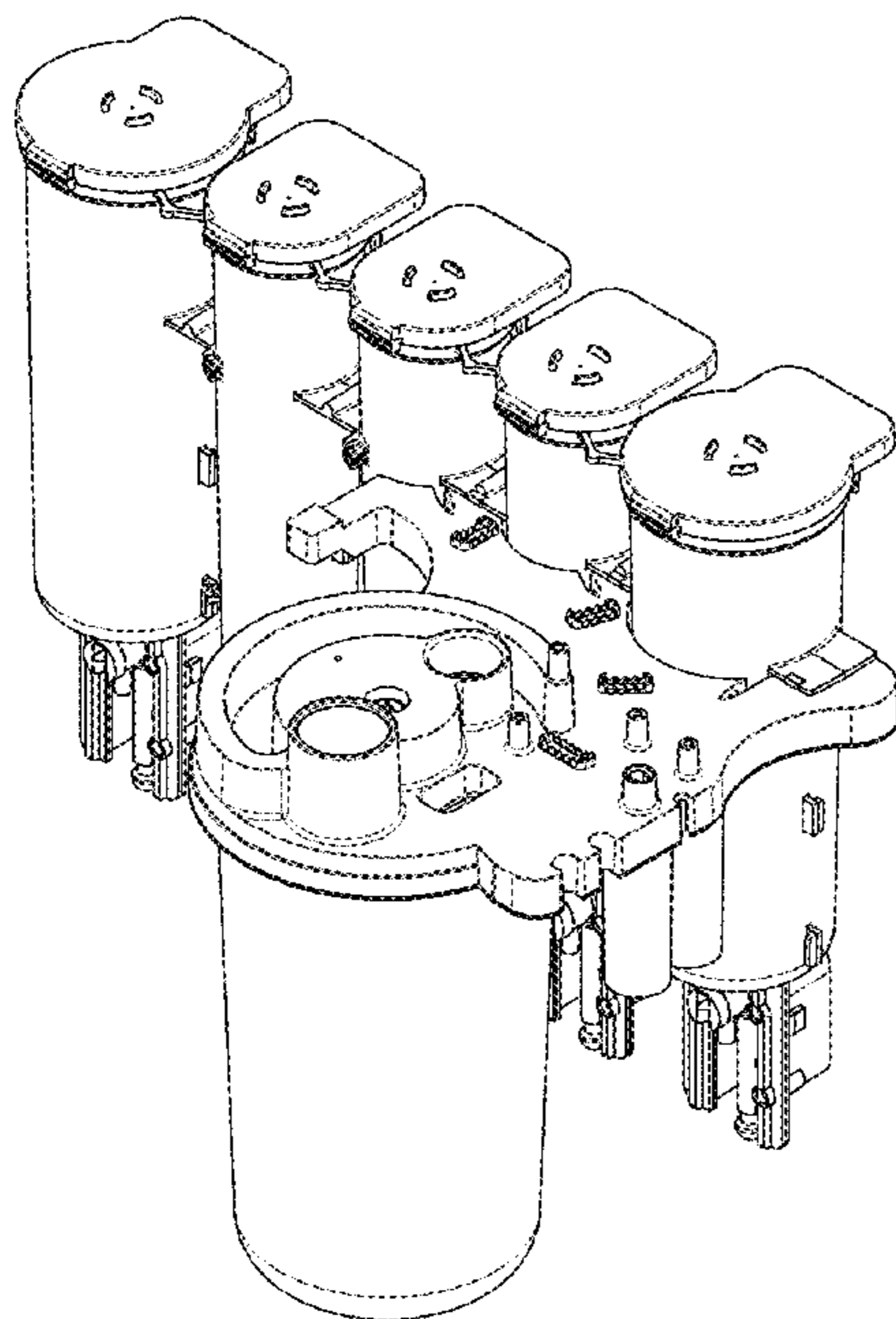
(57) **CLAIM**

The ornamental design for a bioreactor vessel, as shown and described.

DESCRIPTION

FIG. 1 is a top perspective view of the bioreactor vessel;
FIG. 2 is a right side view of the bioreactor vessel;
FIG. 3 is a top plan view of the bioreactor vessel;
FIG. 4 is a bottom plan view of the bioreactor vessel;
FIG. 5 is a front elevational view of the bioreactor vessel;
FIG. 6 is a rear elevational view of the bioreactor vessel;
and,
FIG. 7 is a bottom perspective view of the bioreactor vessel.

1 Claim, 7 Drawing Sheets



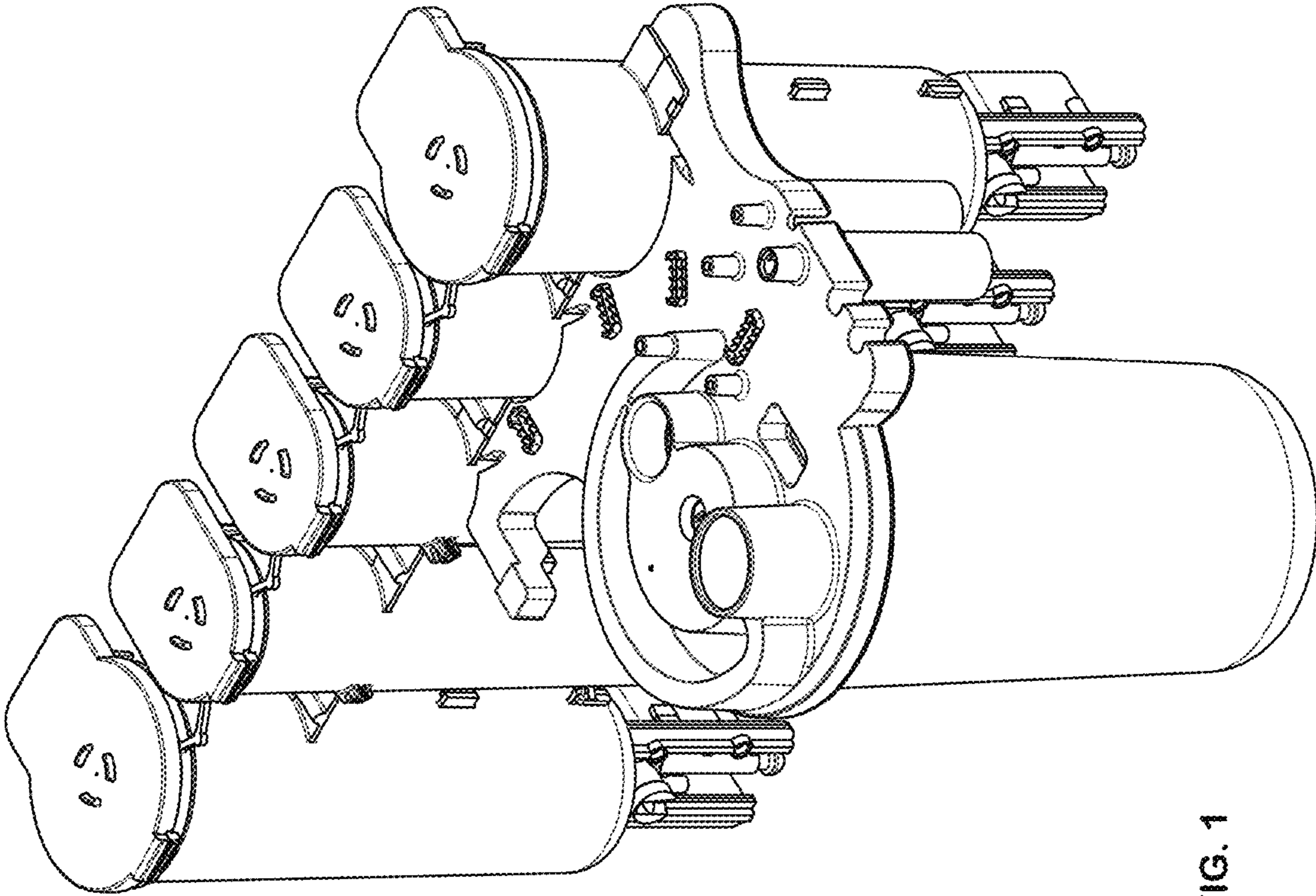


FIG. 1

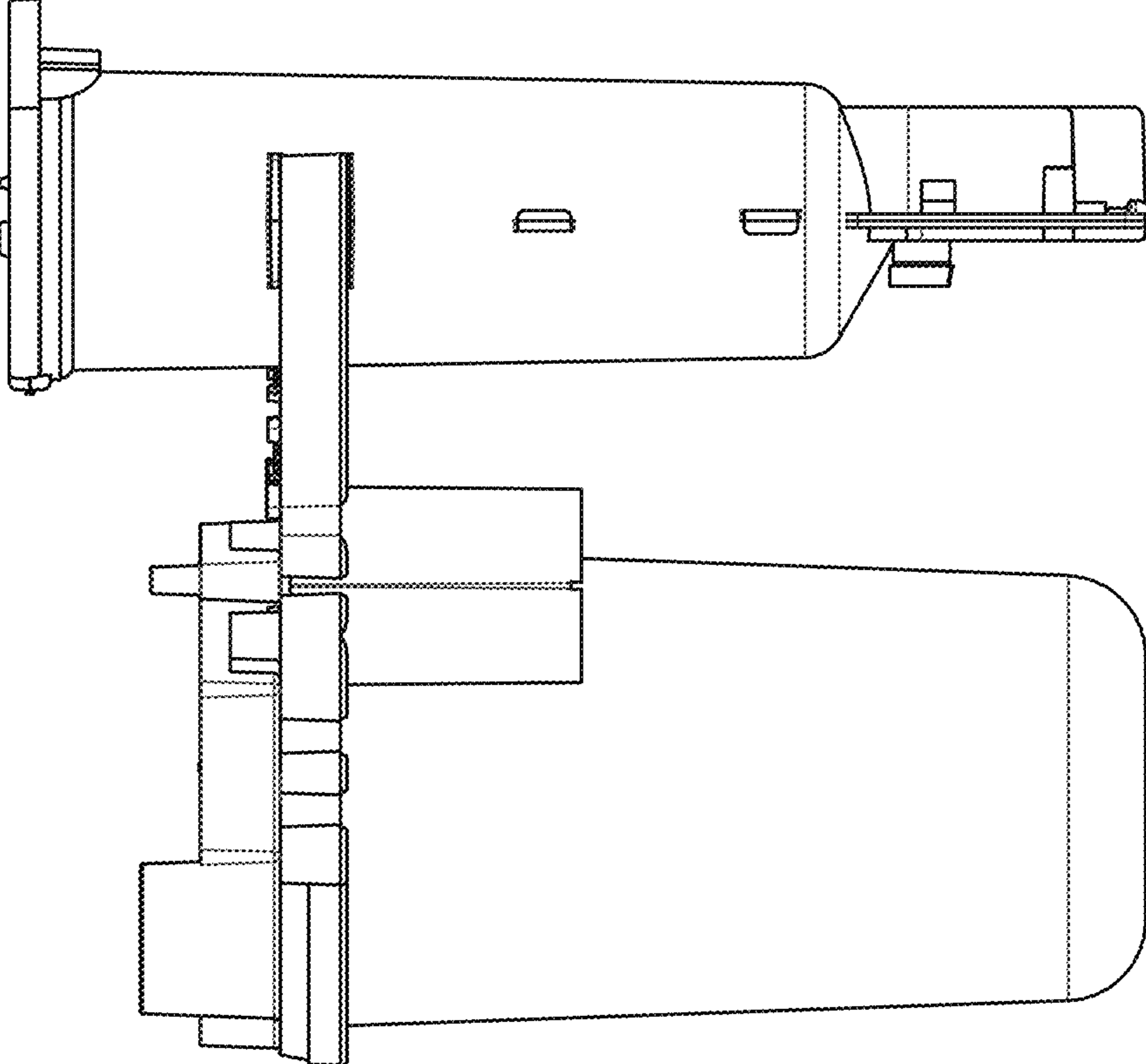


FIG. 2

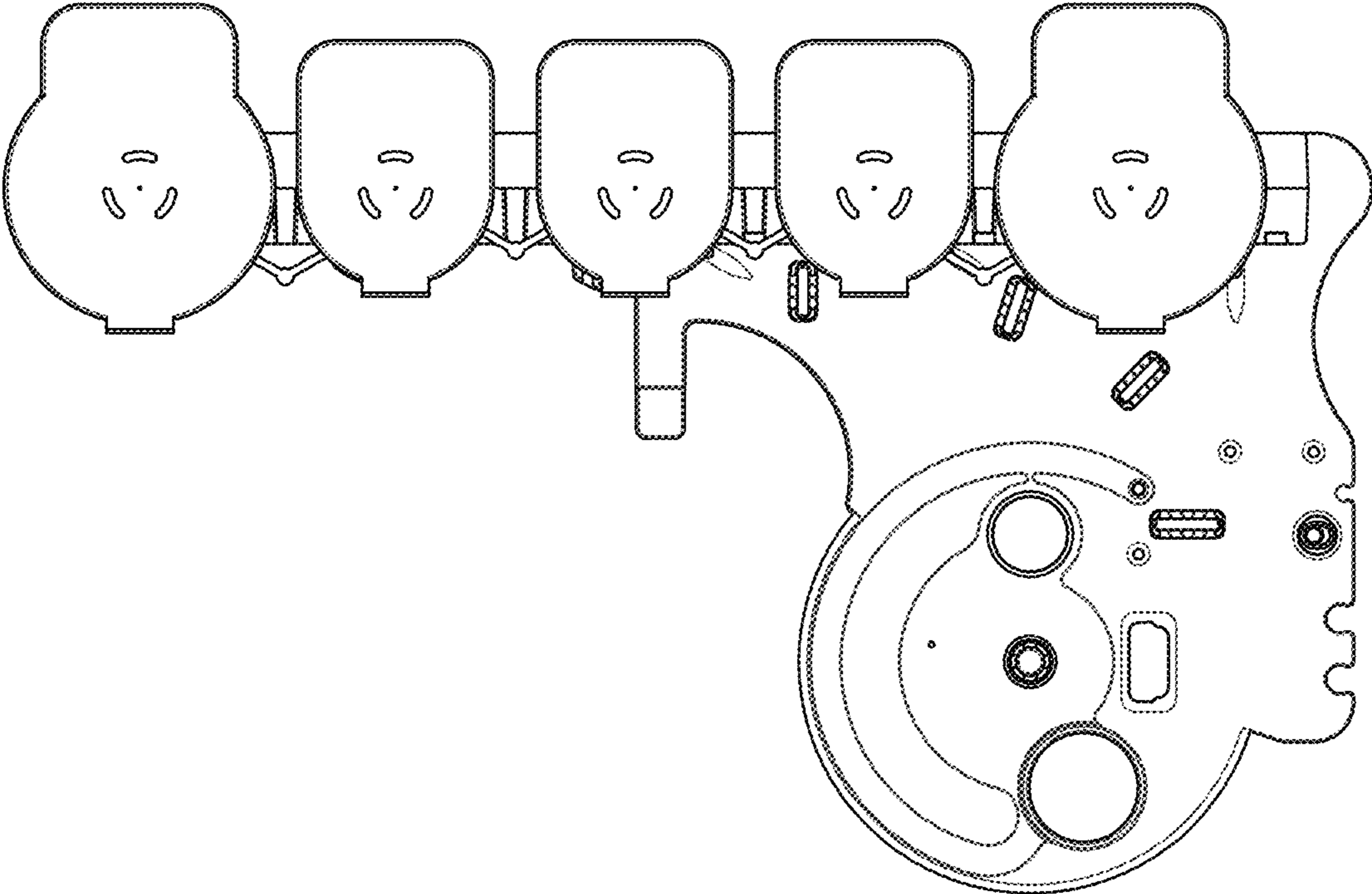


FIG. 3

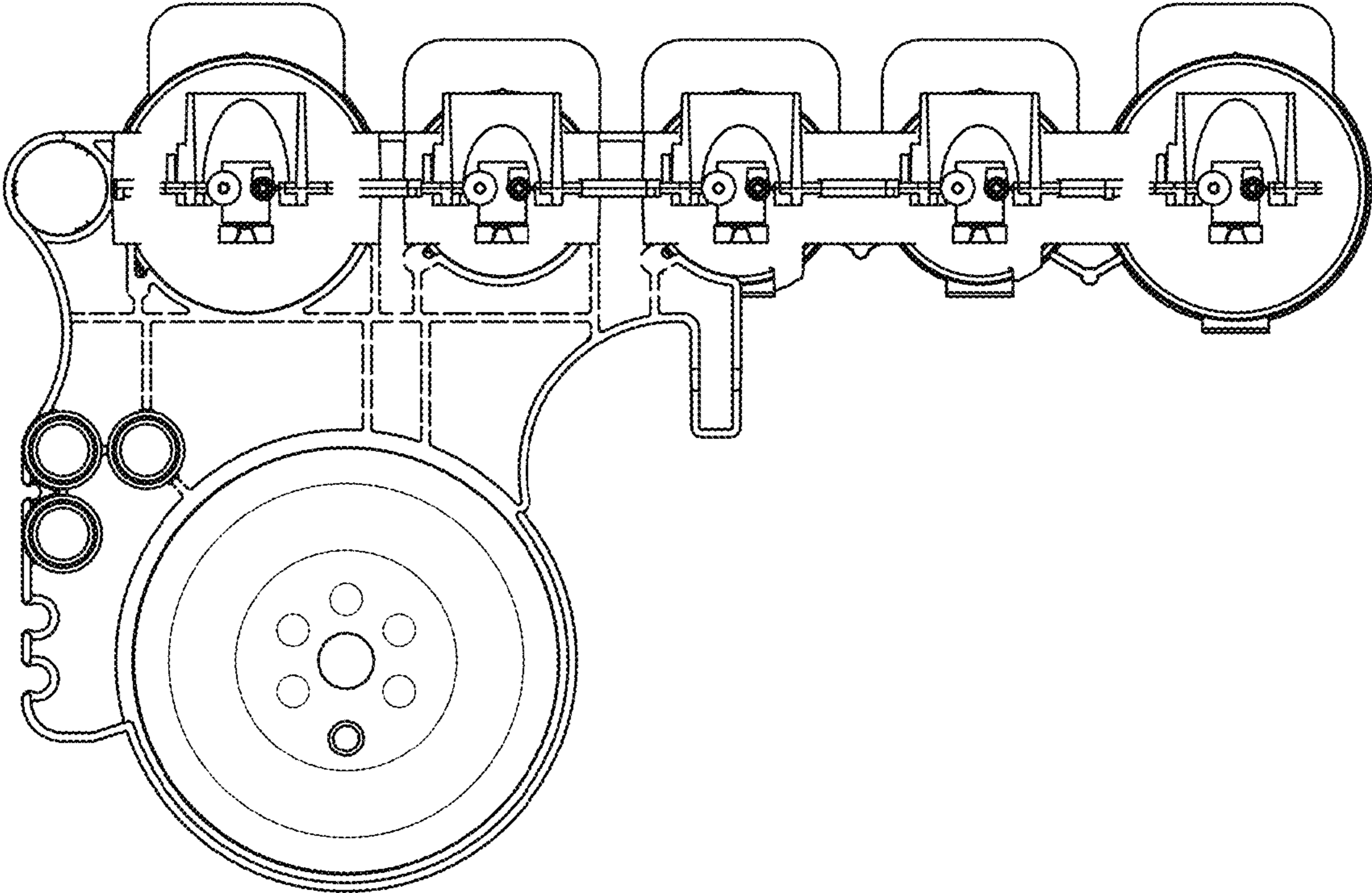


FIG. 4

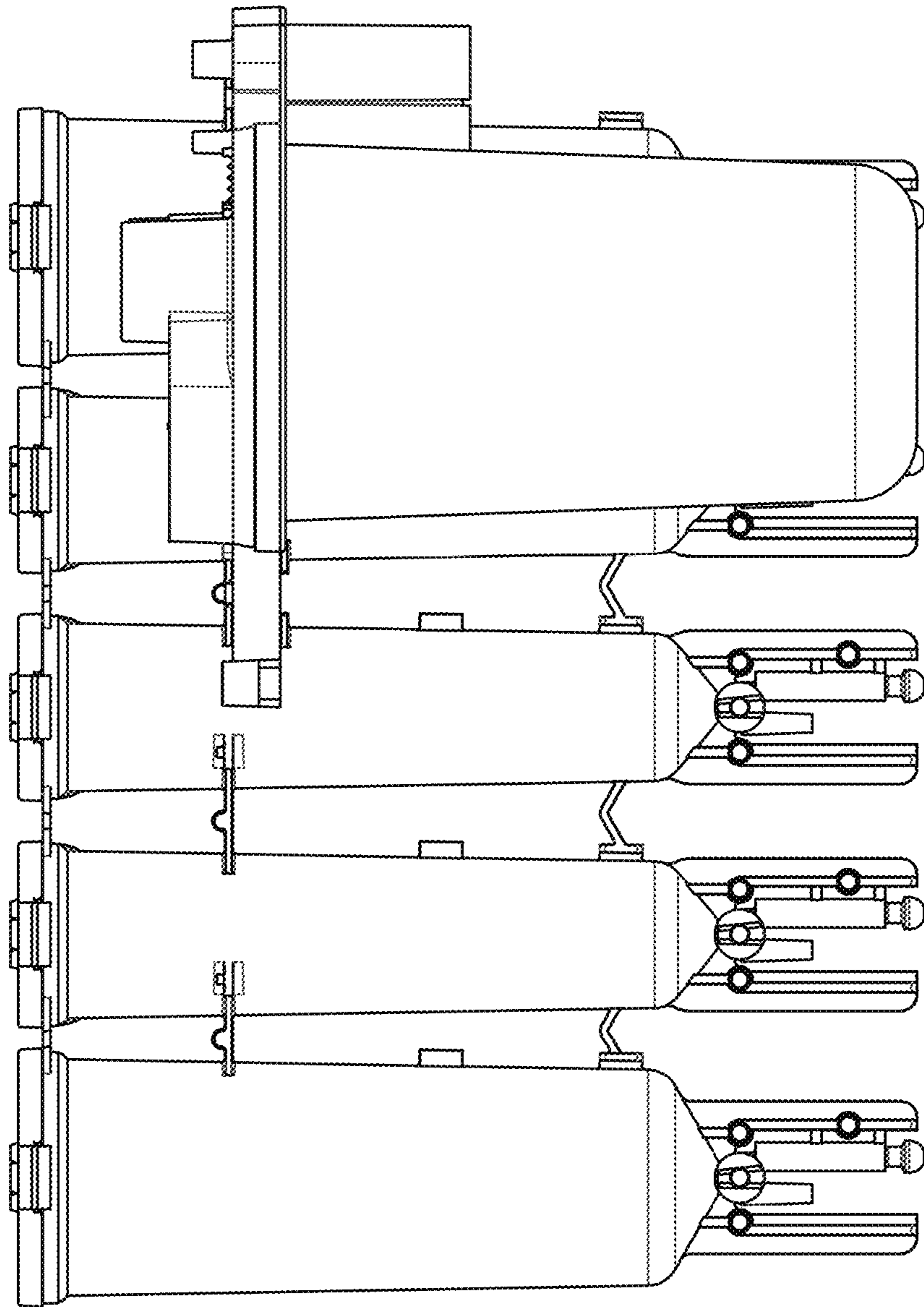


FIG. 5

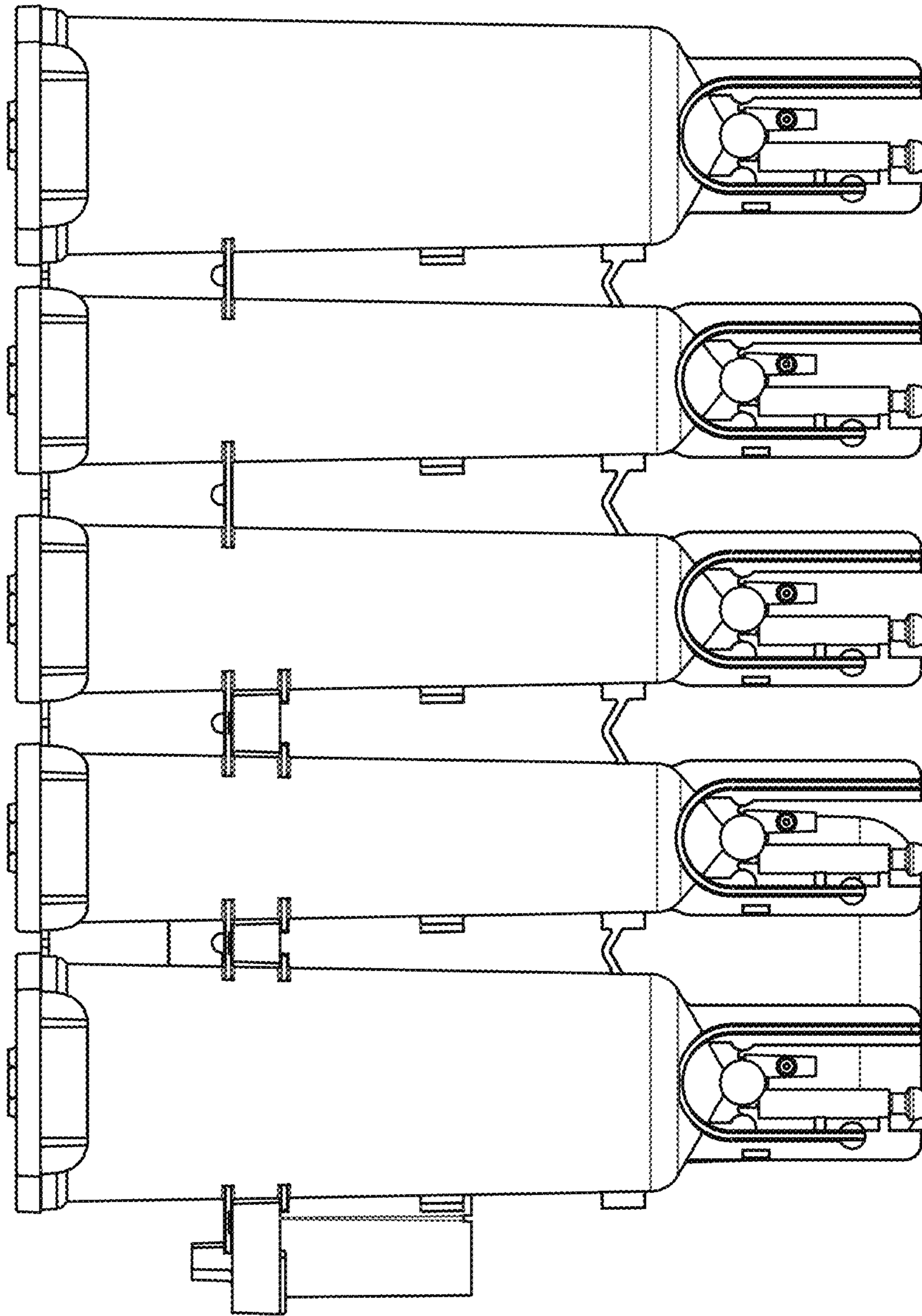


FIG. 6

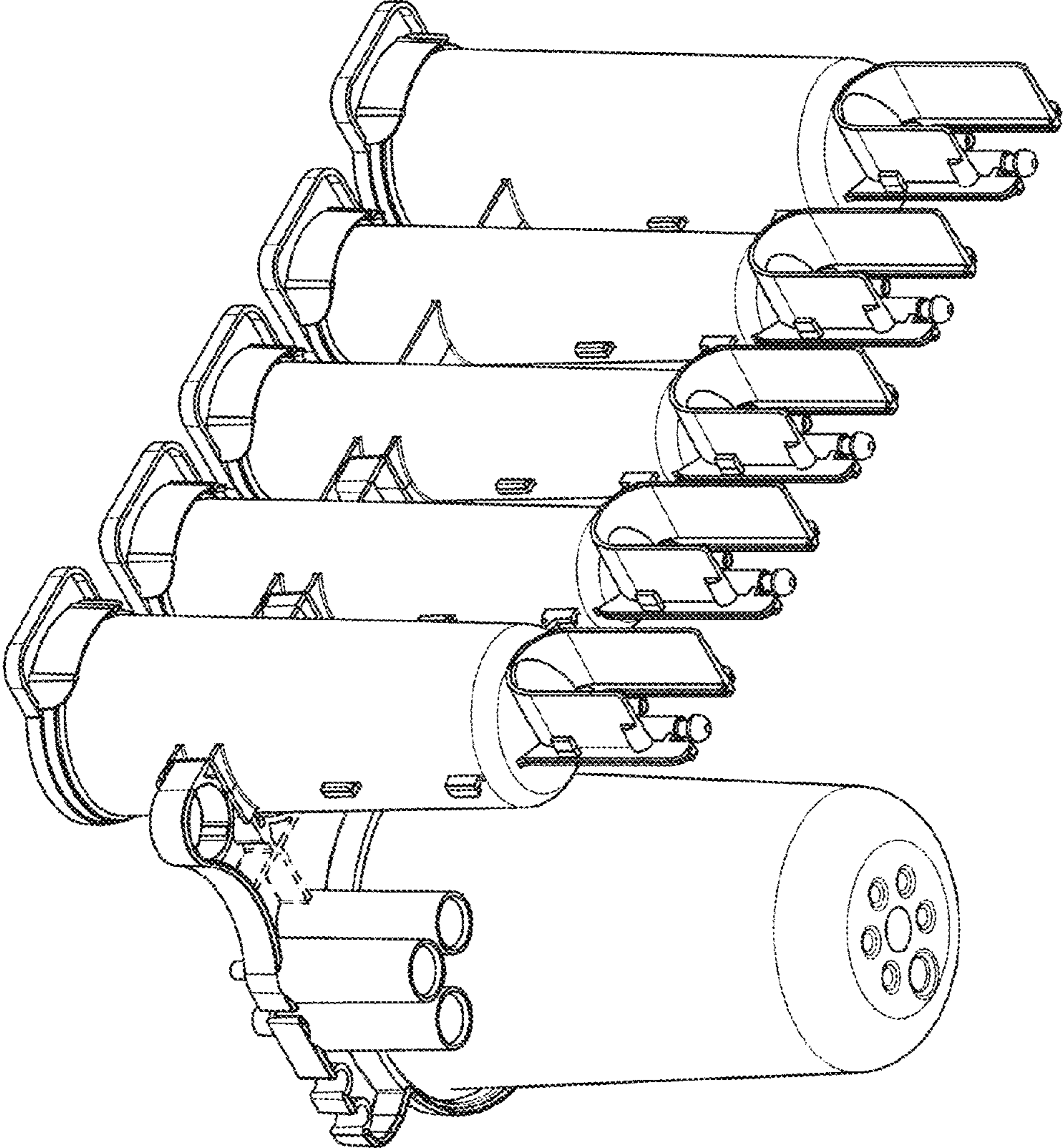


FIG. 7