



US00D769750S

(12) **United States Design Patent**
Teranishi et al.

(10) **Patent No.:** **US D769,750 S**
(45) **Date of Patent:** **** Oct. 25, 2016**

(54) **PROBE PIN**
(71) Applicant: **OMRON Corporation**, Kyoto-shi,
Kyoto (JP)
(72) Inventors: **Hirotsada Teranishi**, Osaka (JP);
Takahiro Sakai, Moriyama (JP);
Makoto Kondo, Moriyama (JP)
(73) Assignee: **OMRON Corporation**, Kyoto (JP)
(**) Term: **15 Years**
(21) Appl. No.: **29/557,790**

D662,895 S * 7/2012 Kimura D13/154
D665,744 S * 8/2012 Yamauchi D13/133
D665,745 S * 8/2012 Yamauchi D13/133
8,366,496 B2 * 2/2013 Hsu G01R 1/0466
439/66
8,460,010 B2 * 6/2013 Kimura G01R 1/06722
439/66
8,669,774 B2 * 3/2014 Kato G01R 1/06722
324/755.01
8,808,038 B2 * 8/2014 Hwang G01R 1/06722
439/66
9,130,290 B2 * 9/2015 Sakai H01R 13/2428
9,207,260 B2 * 12/2015 Ogasawara G01R 1/06772
D749,968 S * 2/2016 Huang D10/77
D750,987 S * 3/2016 Huang D10/80
9,322,846 B2 * 4/2016 Sakai G01R 1/06716

(22) Filed: **Mar. 11, 2016**
(30) **Foreign Application Priority Data**
Sep. 15, 2015 (JP) 2015-020449
(51) **LOC (10) Cl.** **10-04**
(52) **U.S. Cl.**
USPC **D10/78**
(58) **Field of Classification Search**
USPC D10/78, 80; D13/133, 154
CPC G01R 1/067; G01R 1/06705; G01R
1/06711; G01R 1/06716; G01R 1/06722;
G01R 1/06727; G01R 1/06733; G01R
1/06738; G01R 1/06744; G01R 1/0675;
G01R 1/06766; G01R 1/06772; G01R
1/06777; G01R 1/06783; G01R 1/0678
See application file for complete search history.

(56) **References Cited**
U.S. PATENT DOCUMENTS
D229,184 S * 11/1973 Brown et al. D10/103
D507,197 S * 7/2005 Sun D10/72

OTHER PUBLICATIONS
U.S. Appl. No. 29/557,788, filed Mar. 11, 2016; Teranishi et al.
* cited by examiner
Primary Examiner — Antoine D Davis
(74) *Attorney, Agent, or Firm* — Sterne, Kessler,
Goldstein & Fox P.L.L.C.

(57) **CLAIM**
The ornamental design for a probe pin, as shown and
described.

DESCRIPTION
FIG. 1 is a perspective view of a probe pin;
FIG. 2 is a front elevational view thereof;
FIG. 3 is a rear elevational view thereof;
FIG. 4 is a left side view thereof;
FIG. 5 is a right side view thereof;
FIG. 6 is a top plan view thereof; and,
FIG. 7 is a bottom plan view thereof.

1 Claim, 5 Drawing Sheets

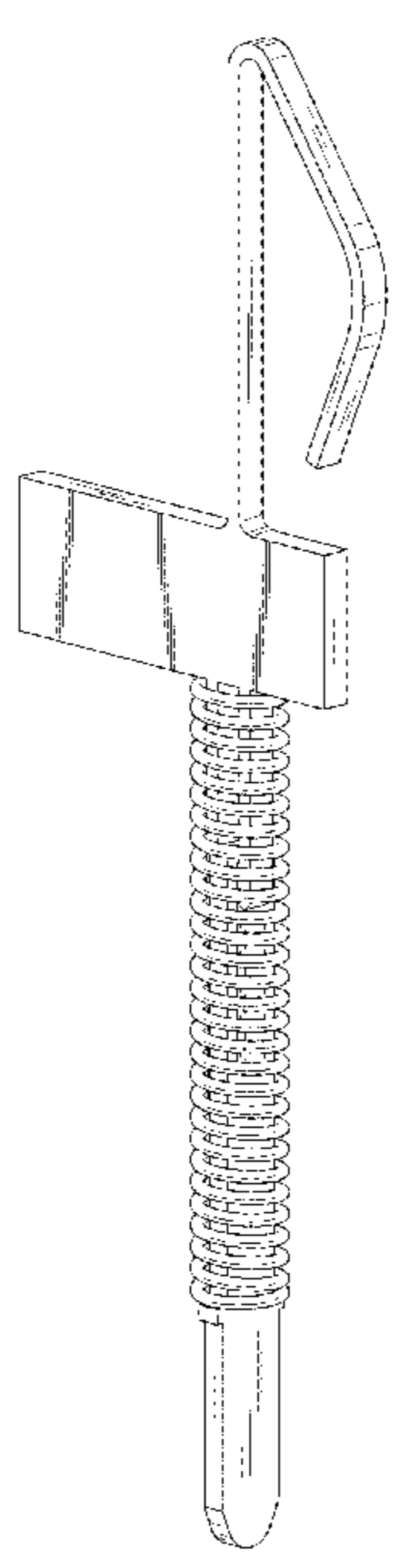


Fig. 1

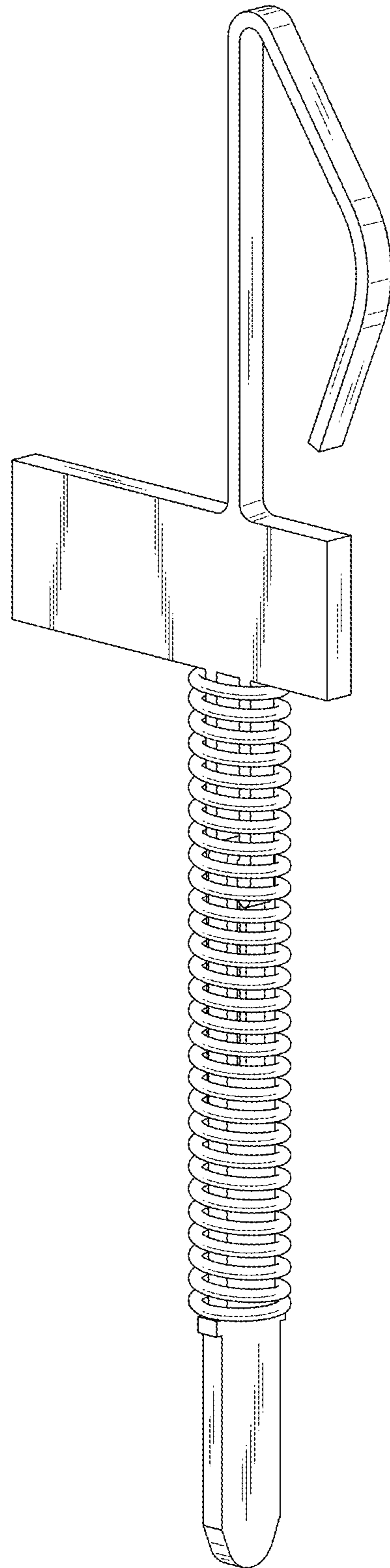


Fig. 2

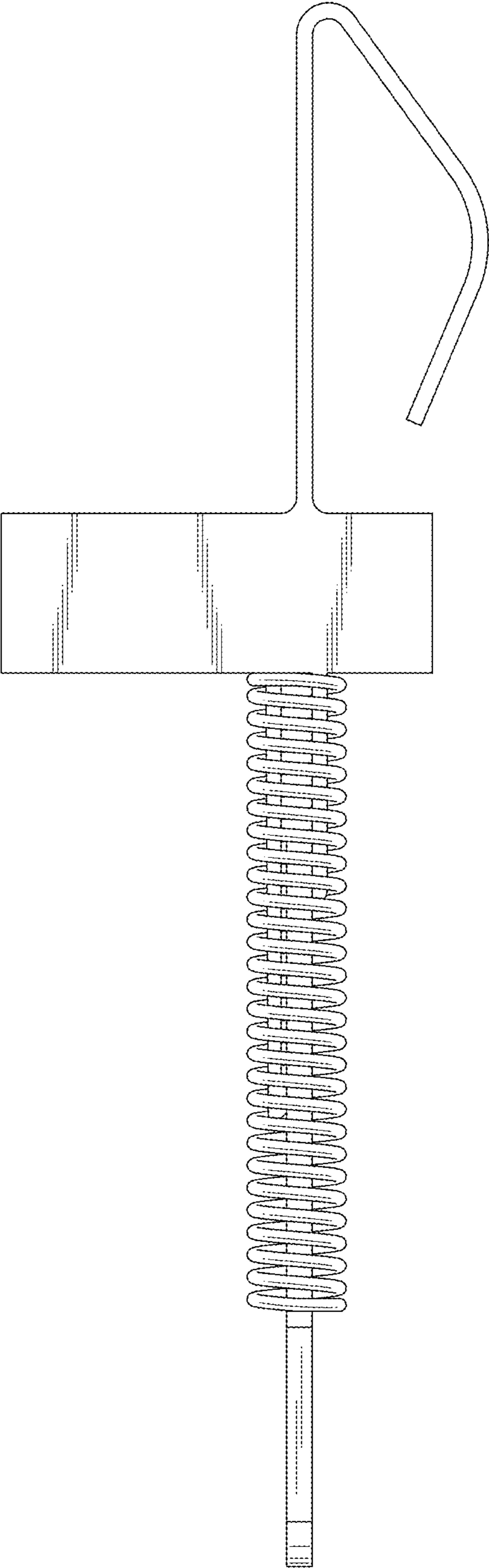


Fig. 3

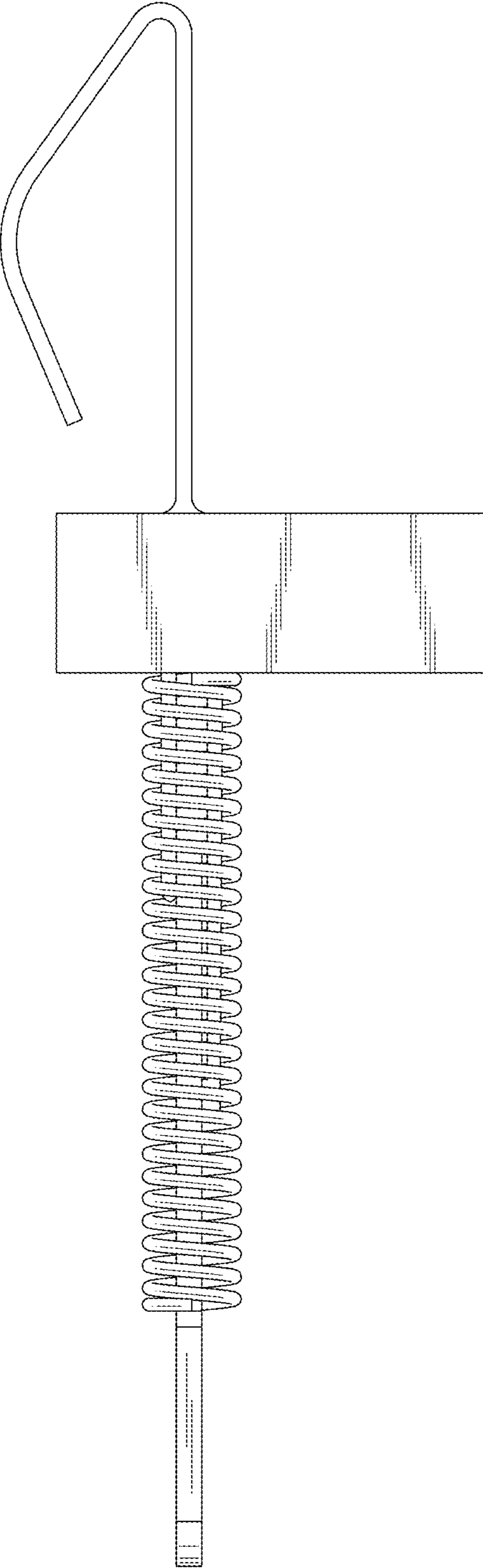


Fig. 4

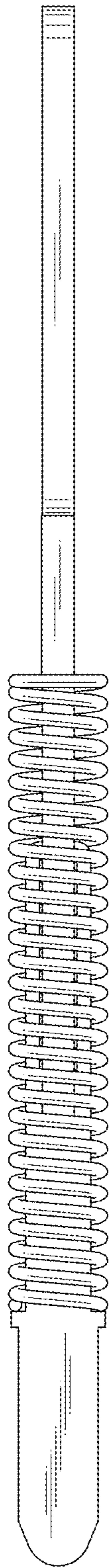


Fig. 5



Fig. 6

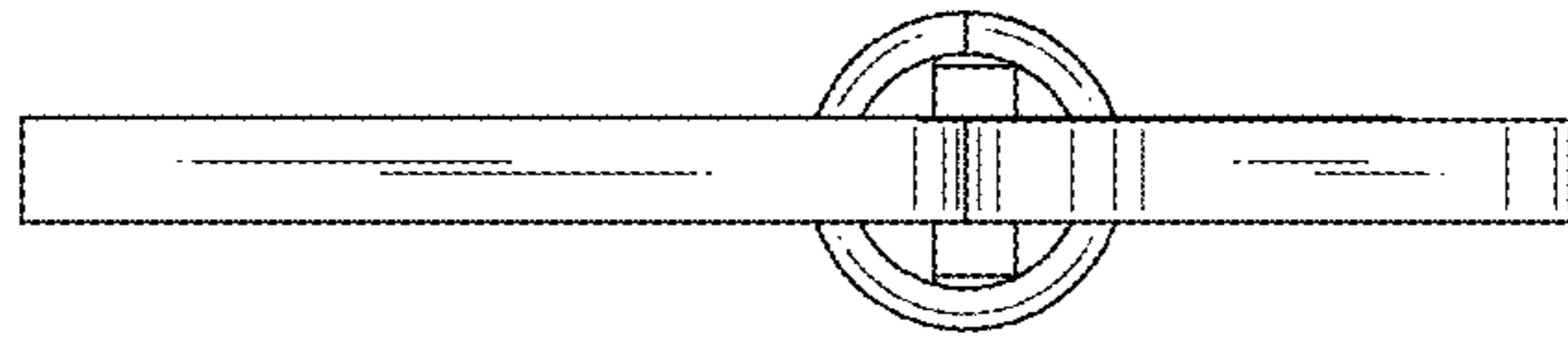


Fig. 7

