



US00D769737S

(12) **United States Design Patent**  
**Voirin**

(10) **Patent No.:** **US D769,737 S**  
(45) **Date of Patent:** **\*\* Oct. 25, 2016**

(54) **WATCHCASE**  
(71) Applicant: **LONGINES WATCH CO.,  
FRANCILLON LTD., St-Imier (CH)**  
(72) Inventor: **Alexandre Voirin, Morteau (FR)**  
(73) Assignee: **LONGINES WATCH CO.,  
FRANCILLON LTD., St-Imier (CH)**  
(\*\*) Term: **15 Years**

D157,607 S \* 3/1950 Lachman ..... D10/38  
D284,949 S \* 8/1986 Kong ..... D10/128  
D296,991 S \* 8/1988 Lauper ..... D10/131  
D309,865 S \* 8/1990 Woomer ..... D10/122  
D319,027 S \* 8/1991 Burgener ..... D10/39  
D332,055 S \* 12/1992 Gander ..... D10/39  
5,319,615 A \* 6/1994 Ng ..... G04B 47/046  
368/276  
D353,544 S \* 12/1994 Reich ..... D10/32  
5,373,484 A \* 12/1994 Rappo ..... G04B 37/1486  
368/281  
5,398,218 A \* 3/1995 Munnier ..... G04B 37/1486  
224/164  
D558,612 S \* 1/2008 Wei ..... D10/38  
D606,890 S \* 12/2009 Bulgari ..... D10/39  
D647,808 S \* 11/2011 Giroud ..... D10/38  
D746,157 S \* 12/2015 Babcock ..... D10/30  
D756,239 S \* 5/2016 Delhotal ..... D10/30

(21) Appl. No.: **29/536,578**  
(22) Filed: **Aug. 18, 2015**

(30) **Foreign Application Priority Data**

Feb. 18, 2015 (WO) ..... DM/085683

(51) **LOC (10) Cl.** ..... **10-02**  
(52) **U.S. Cl.**  
USPC ..... **D10/30; D10/38**

(58) **Field of Classification Search**  
USPC ..... D10/30-39, 1-29, 122-132; 368/10,  
368/15-18, 21, 28, 37, 80, 223, 228, 232,  
368/276, 277, 281, 282, 285, 294, 295, 308,  
368/319  
CPC .... G04B 17/00; G04B 17/02; G04B 17/005;  
G04B 17/285; G04B 37/00; G04B 37/0008;  
G04B 37/0058; G04B 45/00; G04B 45/038;  
G04B 45/0069; G04B 45/0076; G04B 45/02;  
G04B 29/00  
See application file for complete search history.

(56) **References Cited**

**U.S. PATENT DOCUMENTS**

1,162,480 A \* 11/1915 Hathaway ..... G04B 37/0472  
224/167  
2,191,020 A \* 2/1940 Kaufmann ..... A44C 5/145  
224/177

\* cited by examiner

*Primary Examiner* — Susan Bennett Hattan

*Assistant Examiner* — Jennifer Wright

(74) *Attorney, Agent, or Firm* — Donald J. Ranft; Collen IP

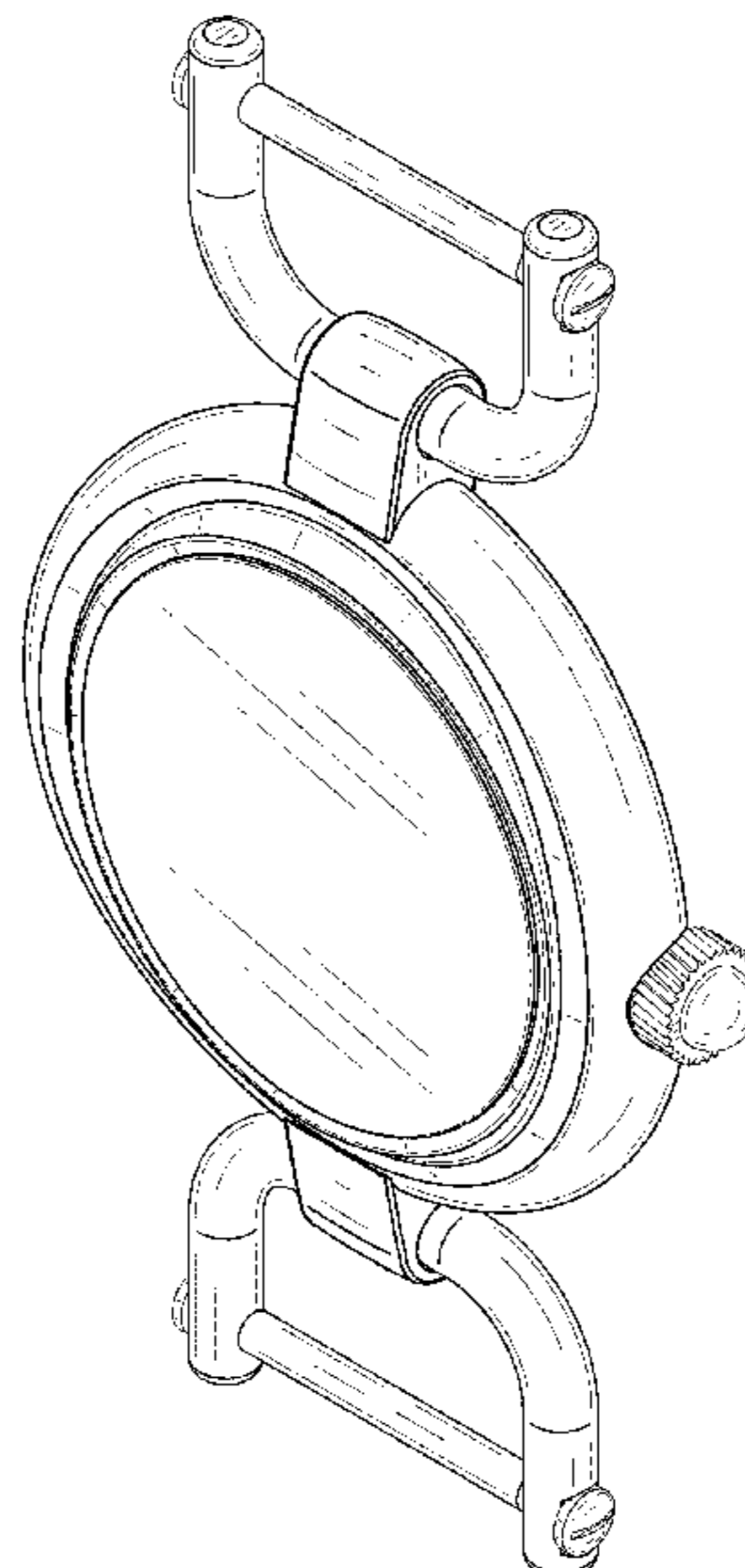
(57) **CLAIM**

The ornamental design for a watchcase, as shown.

**DESCRIPTION**

FIG. 1 is a front right perspective view of a watchcase showing my new design;  
FIG. 2 is a front left perspective view thereof;  
FIG. 3 is a rear right perspective view thereof;  
FIG. 4 is a rear left perspective view thereof;  
FIG. 5 is a front view thereof;  
FIG. 6 is a rear view thereof;  
FIG. 7 is a left side view thereof;  
FIG. 8 is a right side view thereof;  
FIG. 9 is a top view thereof; and,  
FIG. 10 is a bottom view thereof.

**1 Claim, 8 Drawing Sheets**



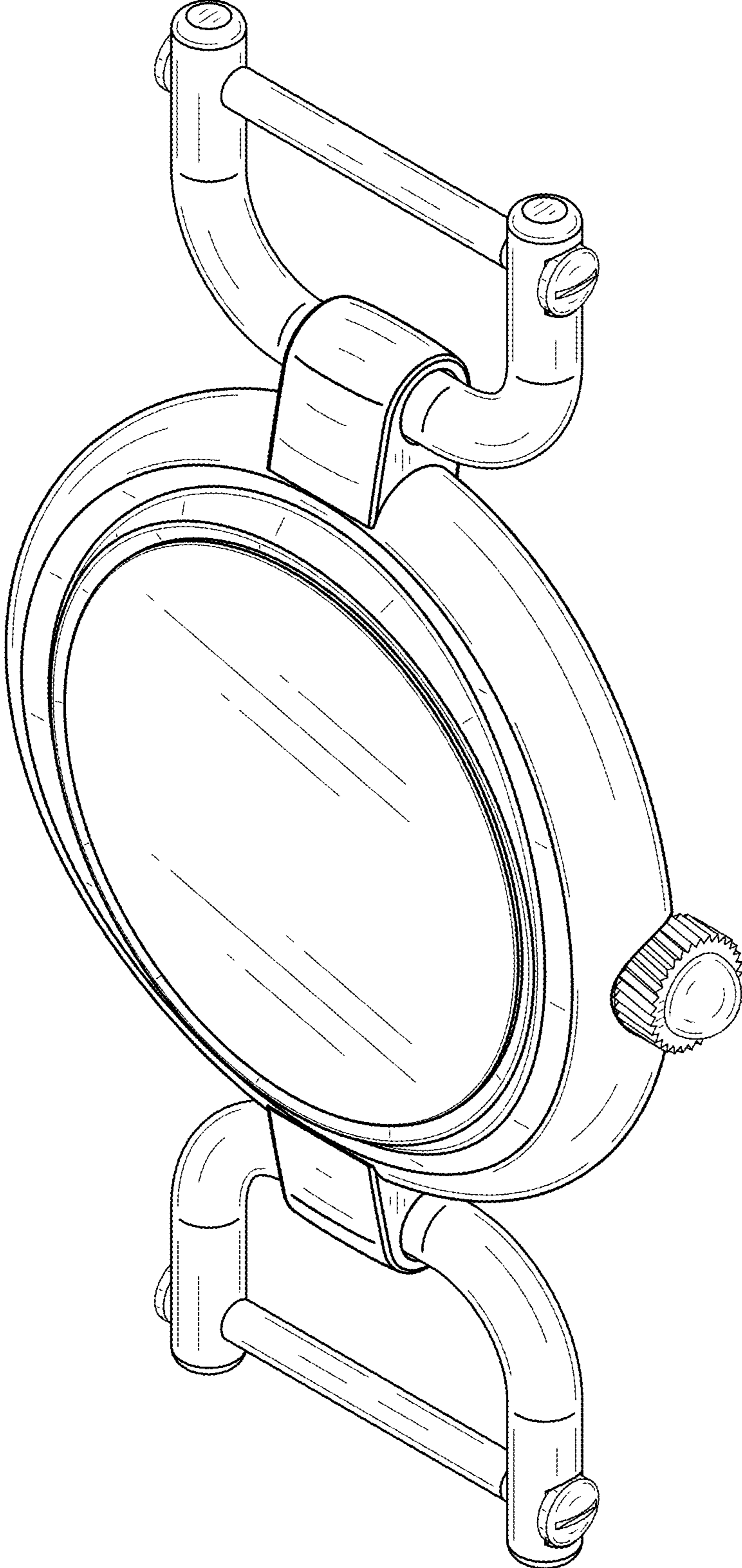


FIG. 1

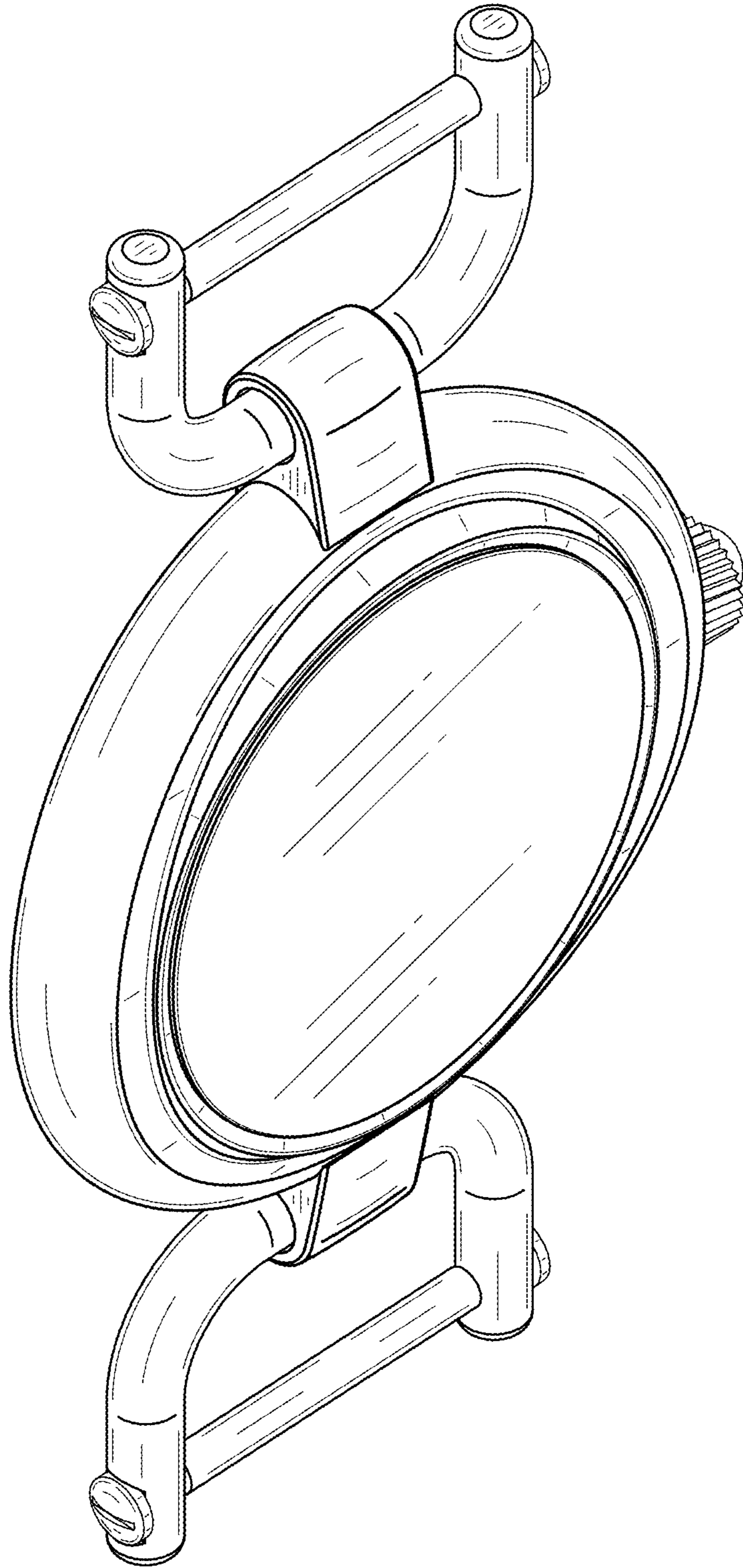


FIG. 2

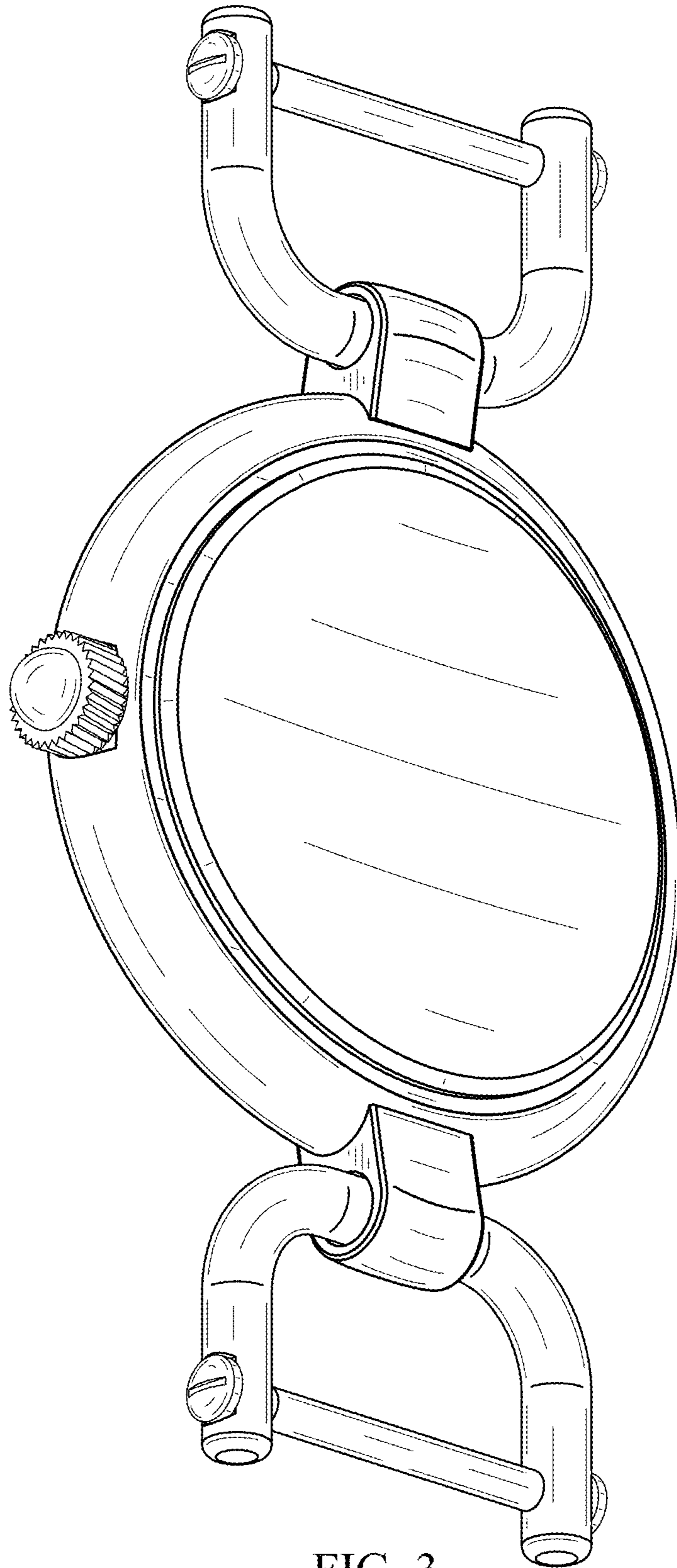


FIG. 3

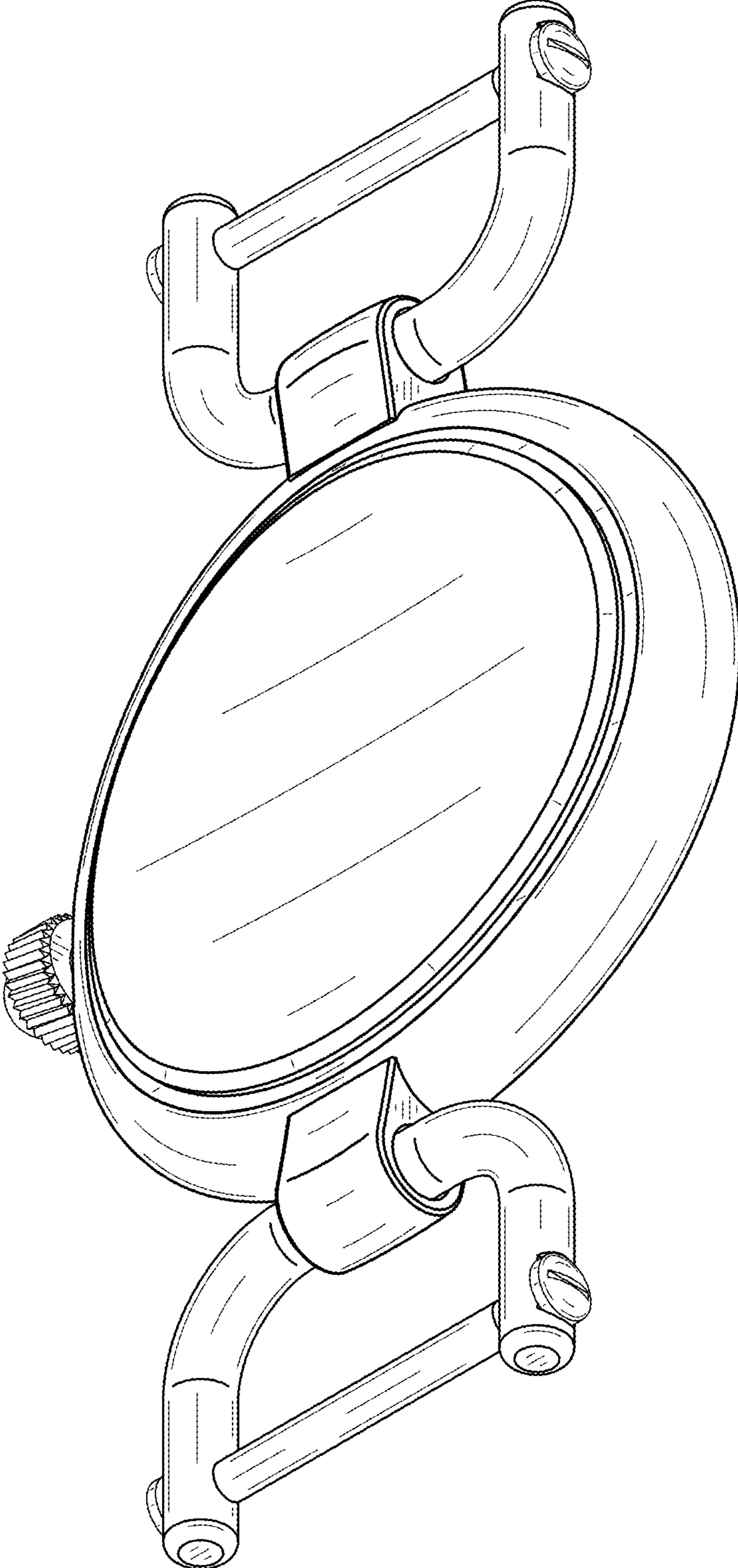


FIG. 4

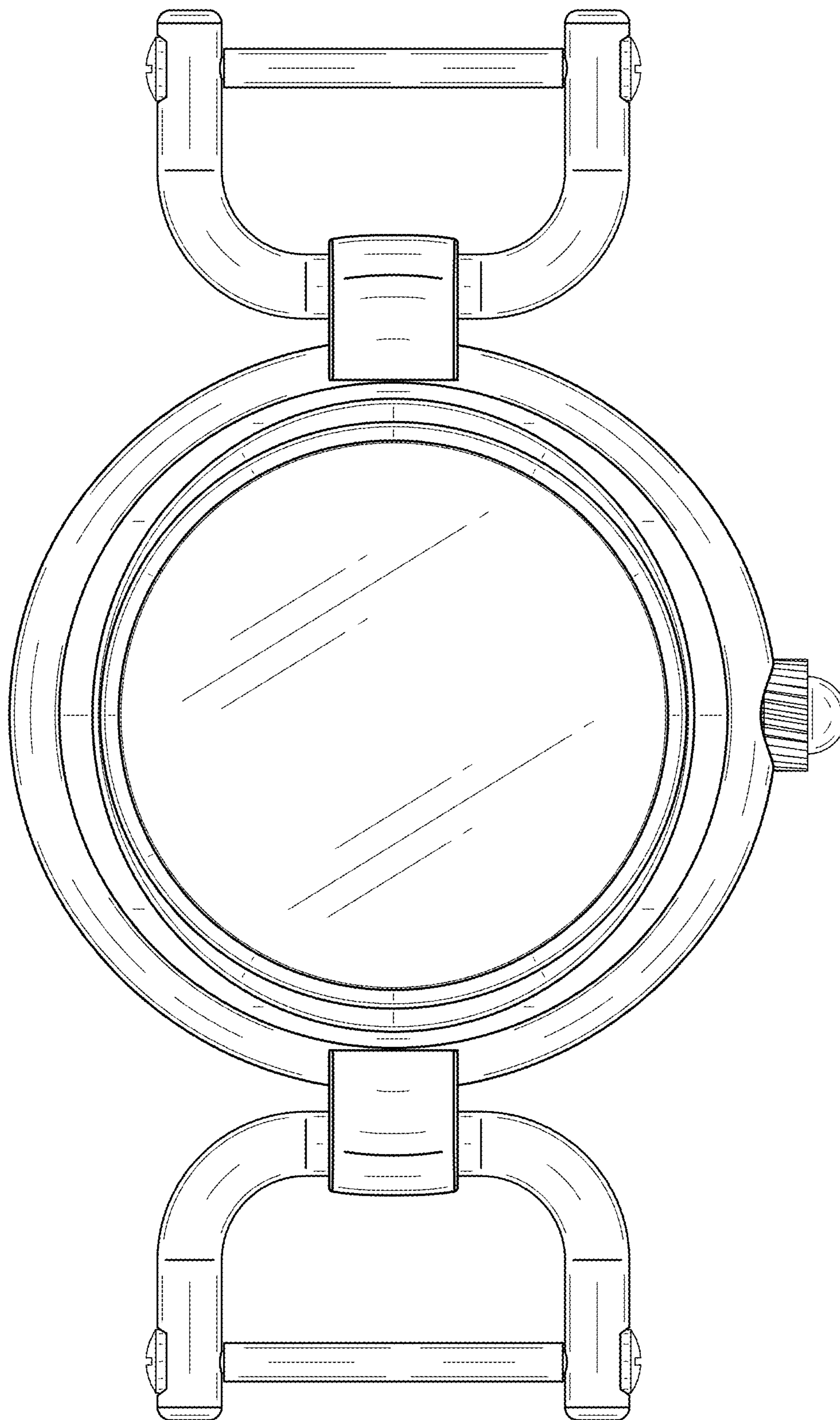


FIG. 5

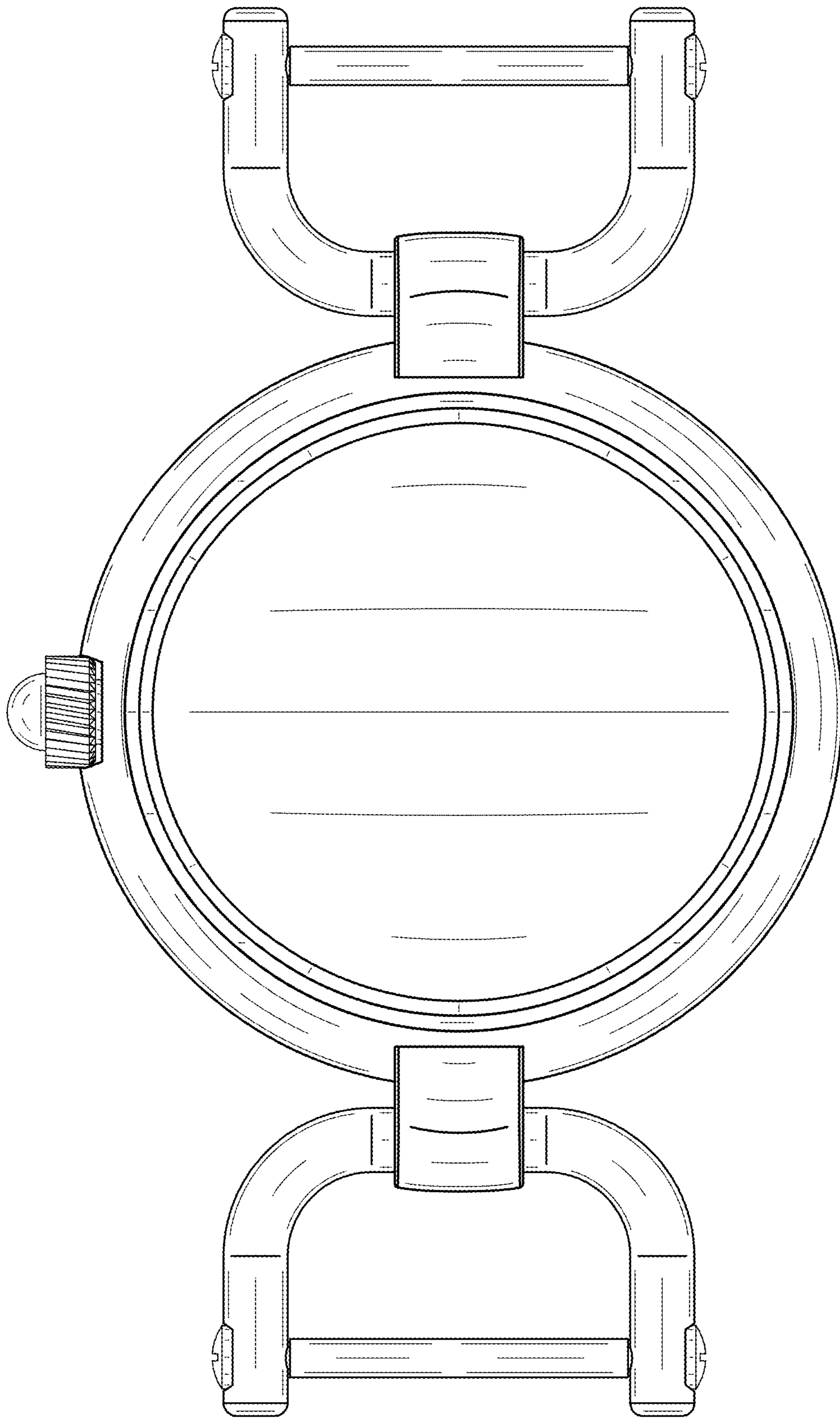


FIG. 6

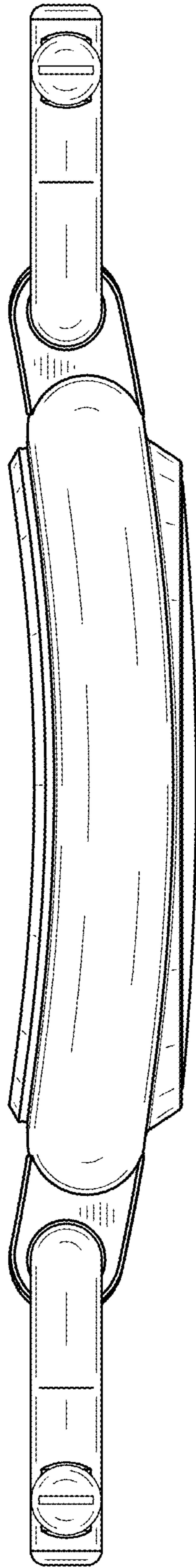


FIG. 7

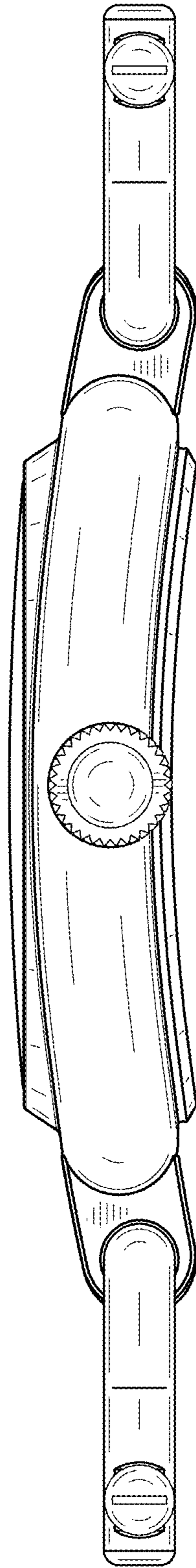


FIG. 8



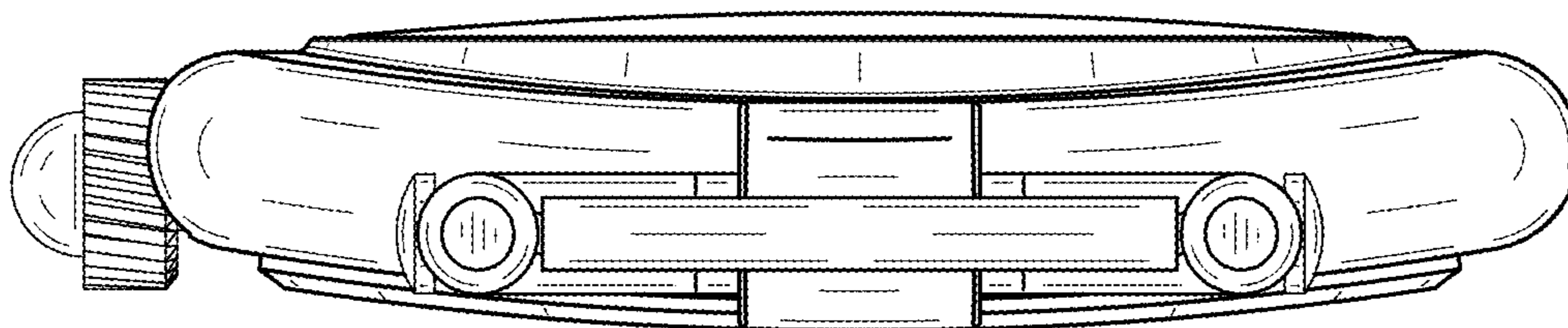


FIG. 9

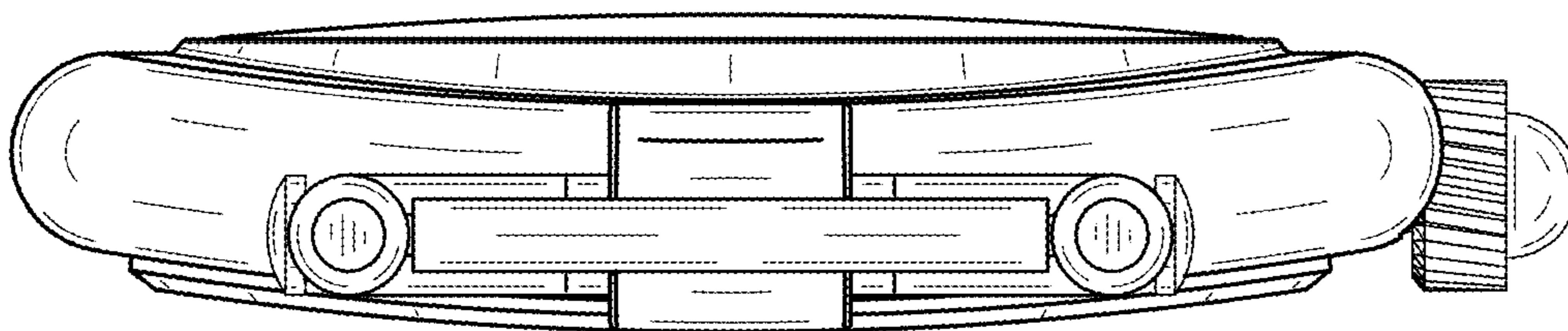


FIG. 10