



US00D769736S

(12) **United States Design Patent**  
**Behling**

(10) **Patent No.:** **US D769,736 S**

(45) **Date of Patent:** **\*\* Oct. 25, 2016**

(54) **WATCH CASE**

(71) Applicant: **LVMH Swiss Manufactures SA**, La  
Chaux-de-Fonds (CH)

(72) Inventor: **Christoph Behling**, London (GB)

(73) Assignee: **LVMH Swiss Manufactures SA**, La  
Chaux-de-Fonds (CH)

(\*\*) Term: **15 Years**

(21) Appl. No.: **29/530,529**

(22) Filed: **Jun. 17, 2015**

(30) **Foreign Application Priority Data**

Dec. 19, 2014 (WO) ..... DM/085258

(51) **LOC (10) Cl.** ..... **10-02**

(52) **U.S. Cl.**  
USPC ..... **D10/30**

(58) **Field of Classification Search**

USPC ..... D10/1-29, 30-39, 122-132; 248/114;  
224/165; 368/10, 80, 223, 228, 232,  
368/276, 281, 282, 288-290, 295, 308,  
368/319; 73/714

CPC ..... G04B 19/06; G04B 19/10; G04B 19/12;  
G04B 19/08; G04B 19/103; G04B 19/106;  
G04B 47/042

See application file for complete search history.

(56) **References Cited**

**U.S. PATENT DOCUMENTS**

D329,022 S \* 9/1992 Bulgari ..... D10/32  
D632,592 S \* 2/2011 Actis-Datta ..... D10/32

D640,144 S \* 6/2011 Tonohori ..... D10/32  
D667,316 S \* 9/2012 Tonohori ..... D10/32  
D668,557 S \* 10/2012 Goto ..... D10/32  
D668,968 S \* 10/2012 Duport ..... D10/32  
D677,175 S \* 3/2013 Bulgari ..... D10/32  
D717,668 S \* 11/2014 Sugiura ..... D10/32  
D719,850 S \* 12/2014 Kita ..... D10/32  
2015/0205263 A1 \* 7/2015 Momose ..... G04B 19/06  
368/232

\* cited by examiner

*Primary Examiner* — Manpreet Matharu

*Assistant Examiner* — Keith Wilson

(74) *Attorney, Agent, or Firm* — Mark S. Leonardo;  
Brown Rudnick LLP

(57) **CLAIM**

The ornamental design for a watch case, as shown and described.

**DESCRIPTION**

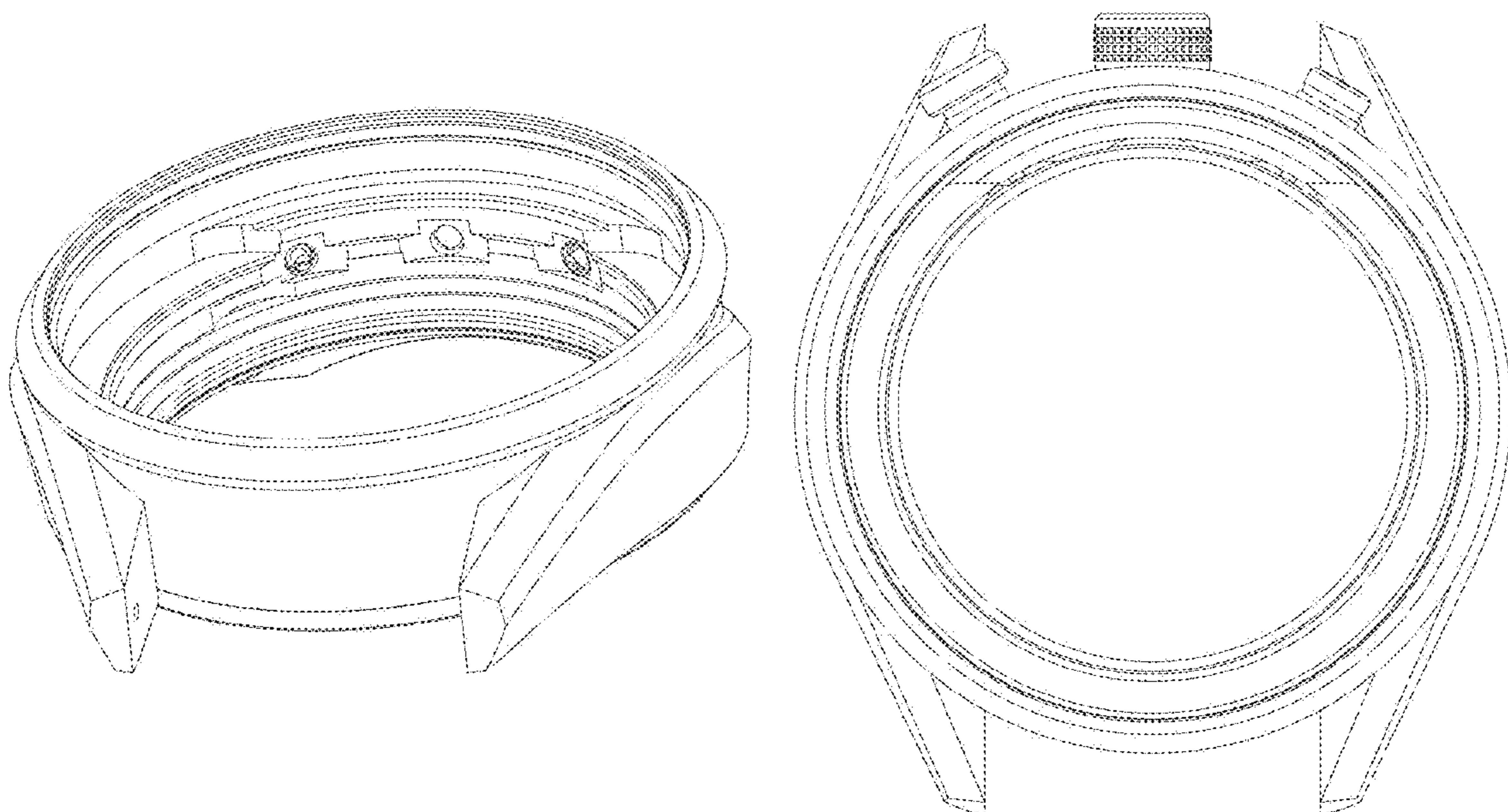
FIG. 1 illustrates a perspective view of a watch case employing an ornamental design in accordance with the present invention;

FIG. 2 illustrates a front view of the watch case of FIG. 1; FIG. 3 illustrates a back view of the watch case of FIG. 1; FIG. 4 illustrates a left side view of the watch case of FIG. 1;

FIG. 5 illustrates a right side view of the watch case of FIG. 1;

FIG. 6 illustrates a top view of the watch case of FIG. 1; and, FIG. 7 illustrates a bottom view of the watch case of FIG. 1.

**1 Claim, 5 Drawing Sheets**



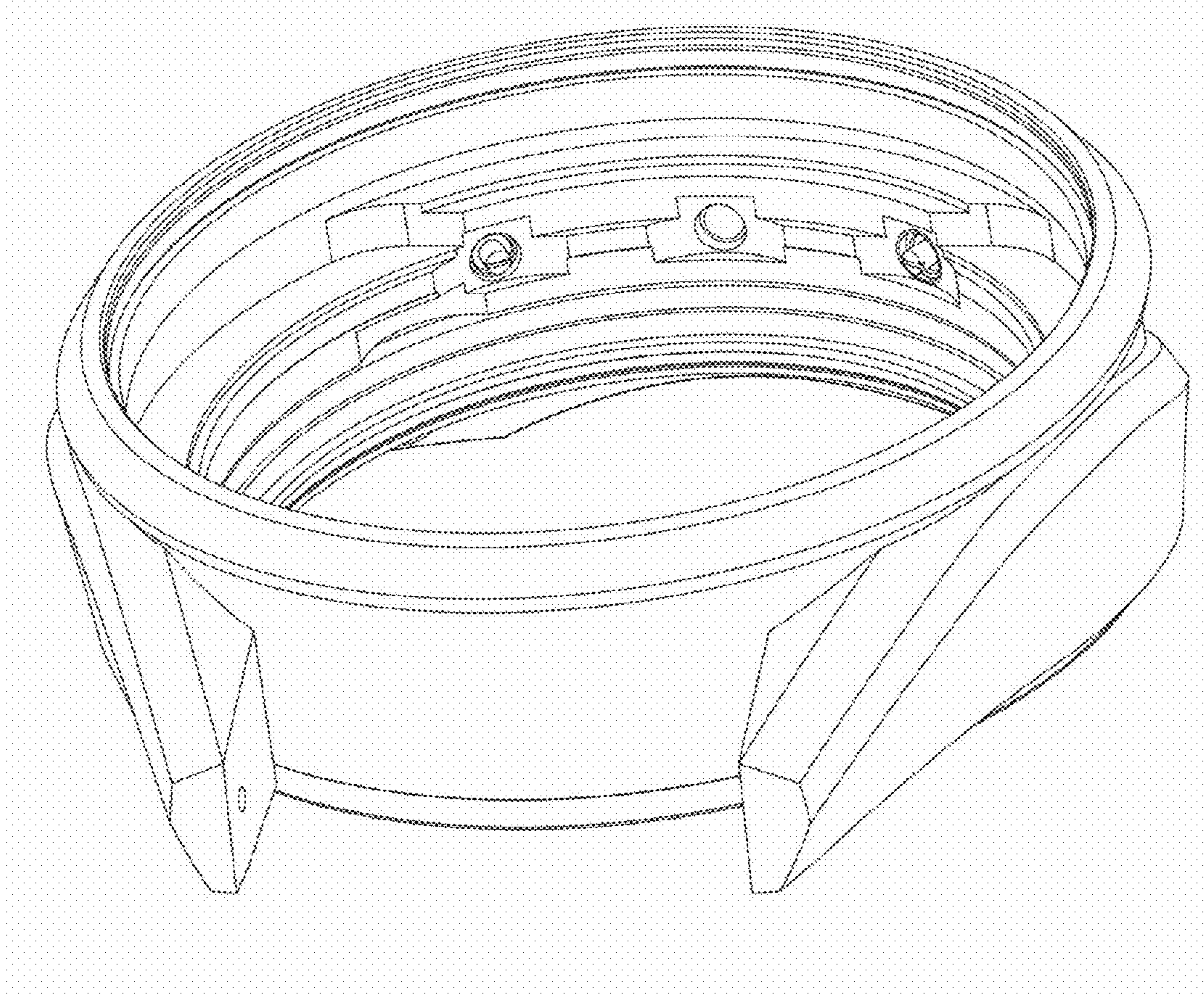
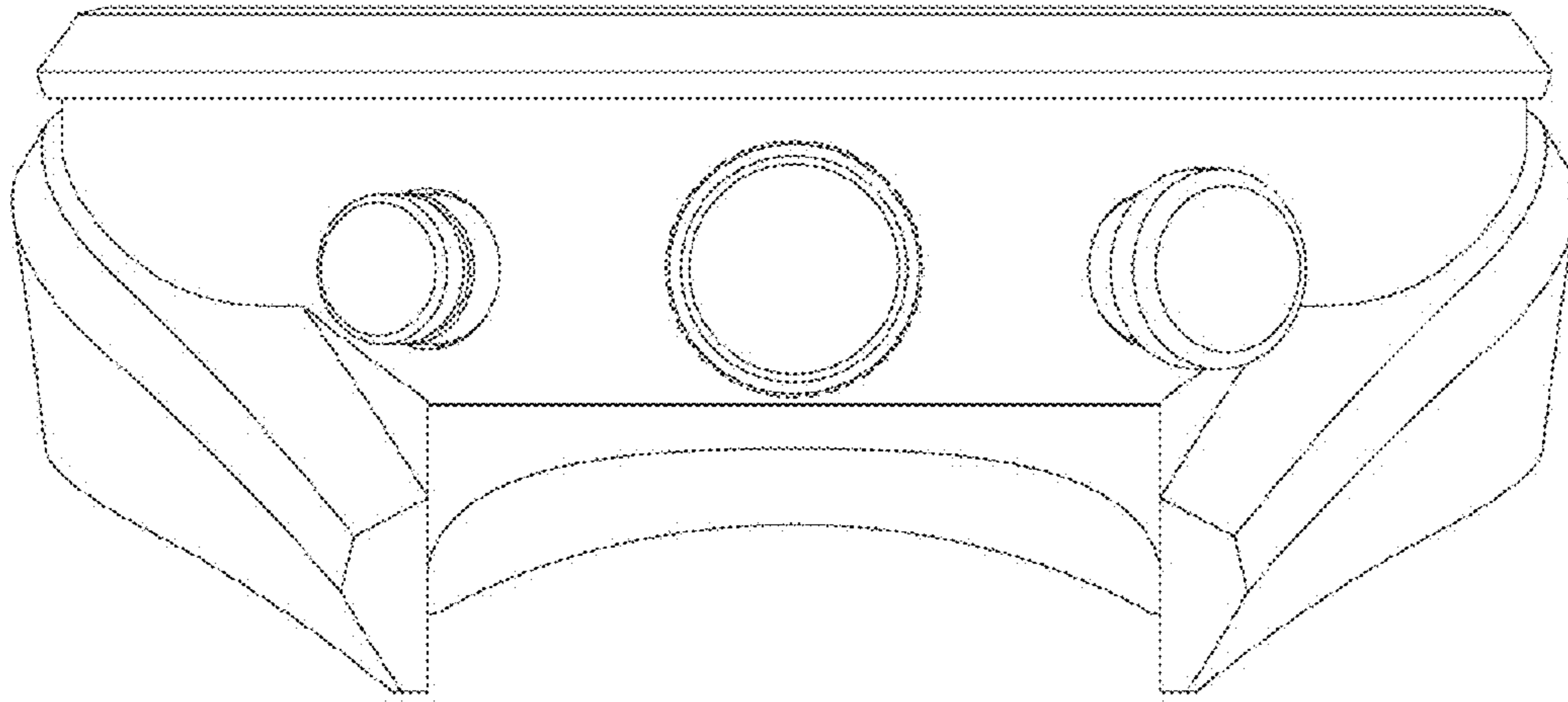
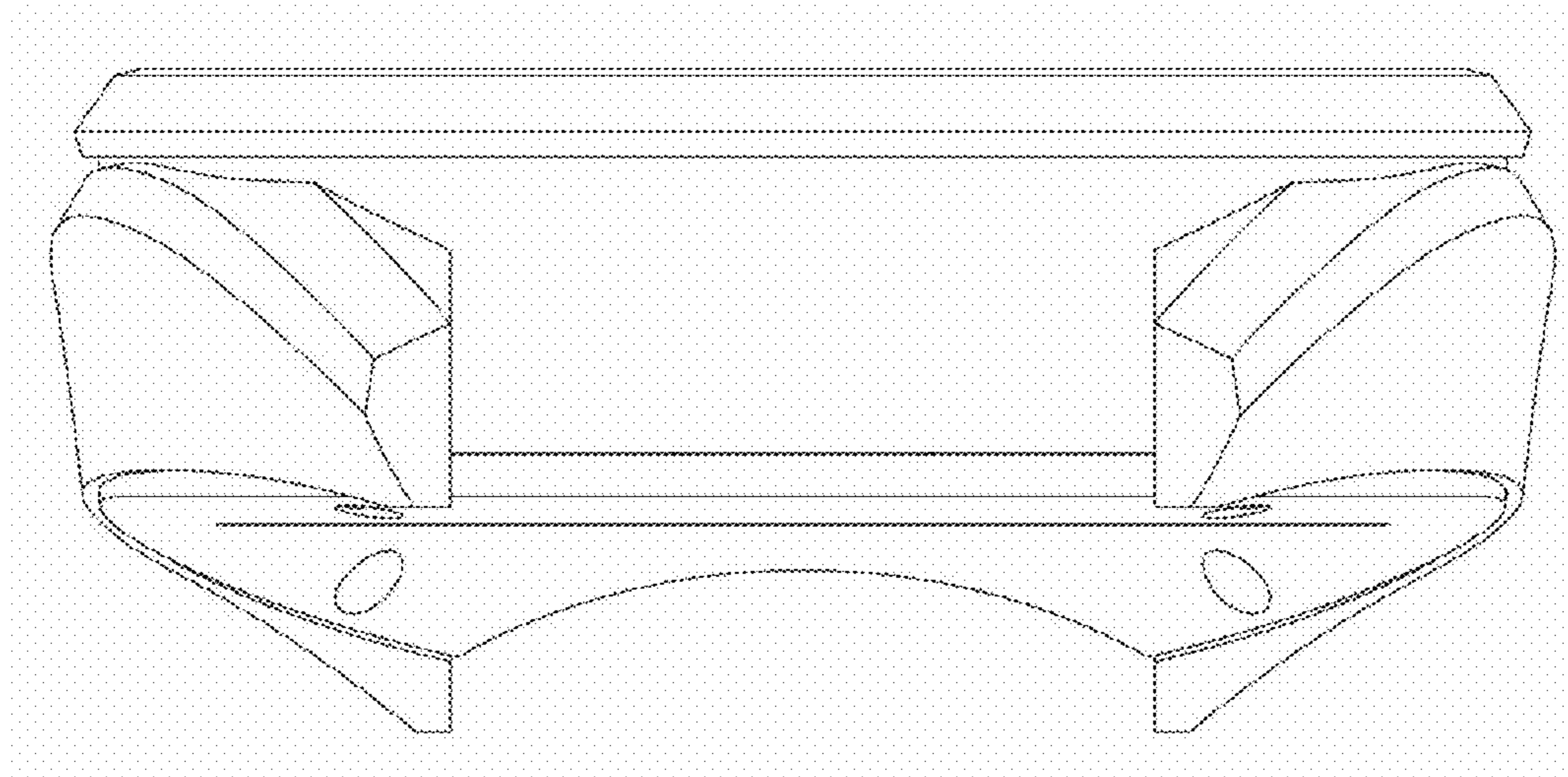


FIG. 1





**FIG. 2**



**FIG. 3**

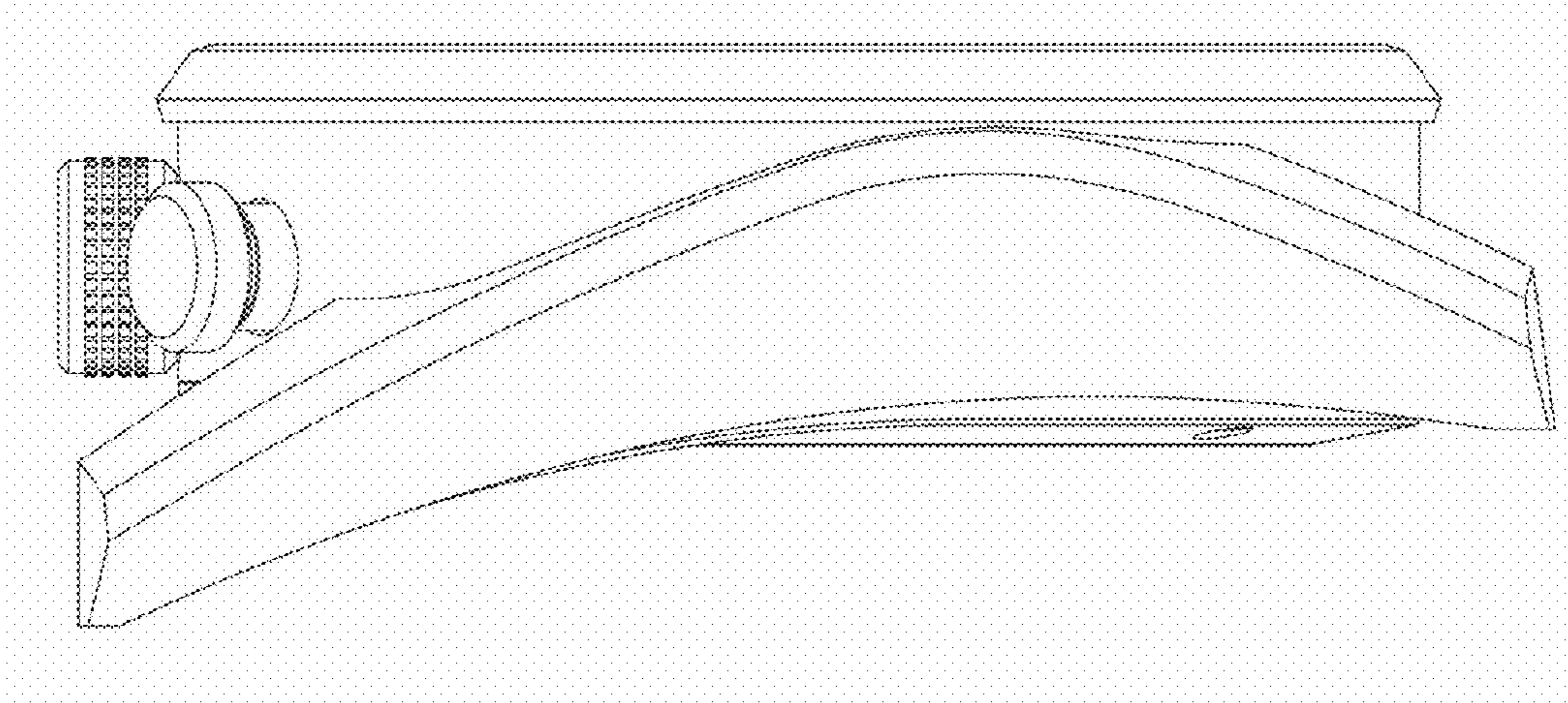


FIG. 4

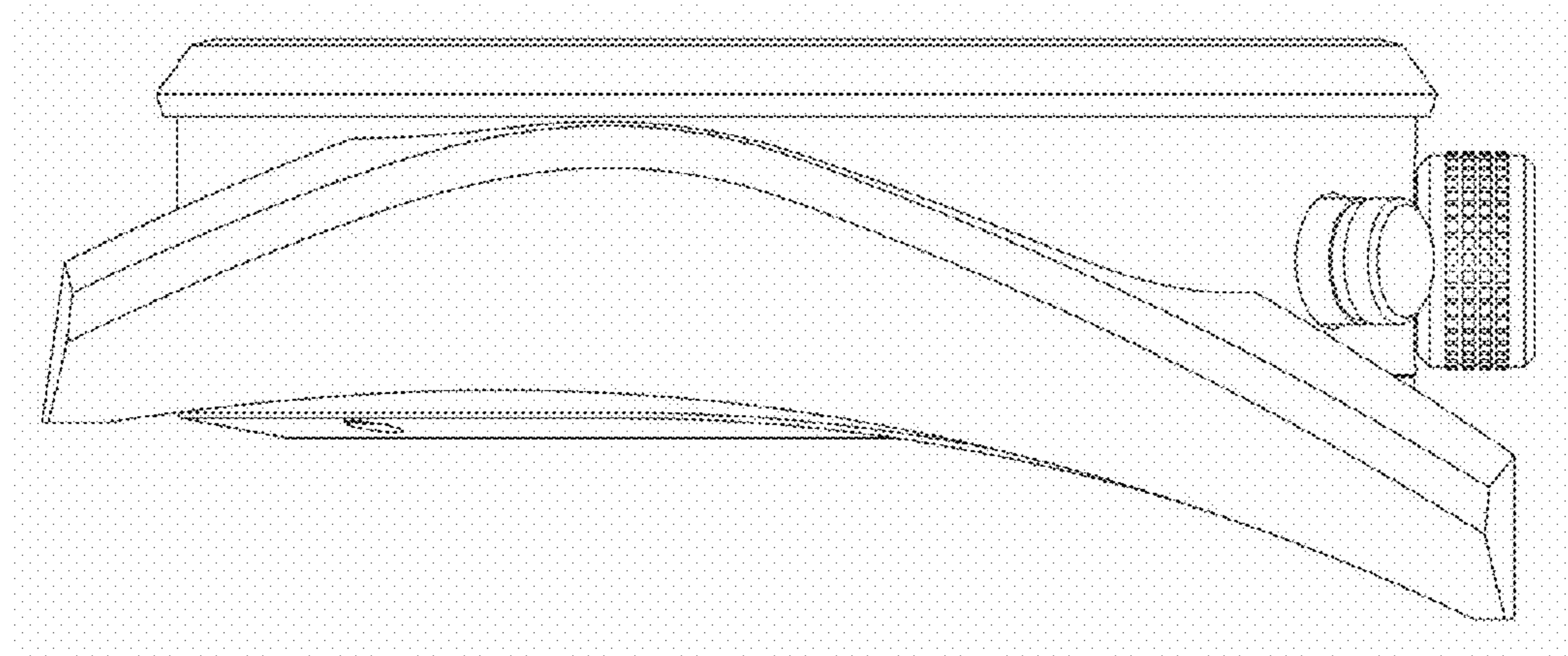


FIG. 5

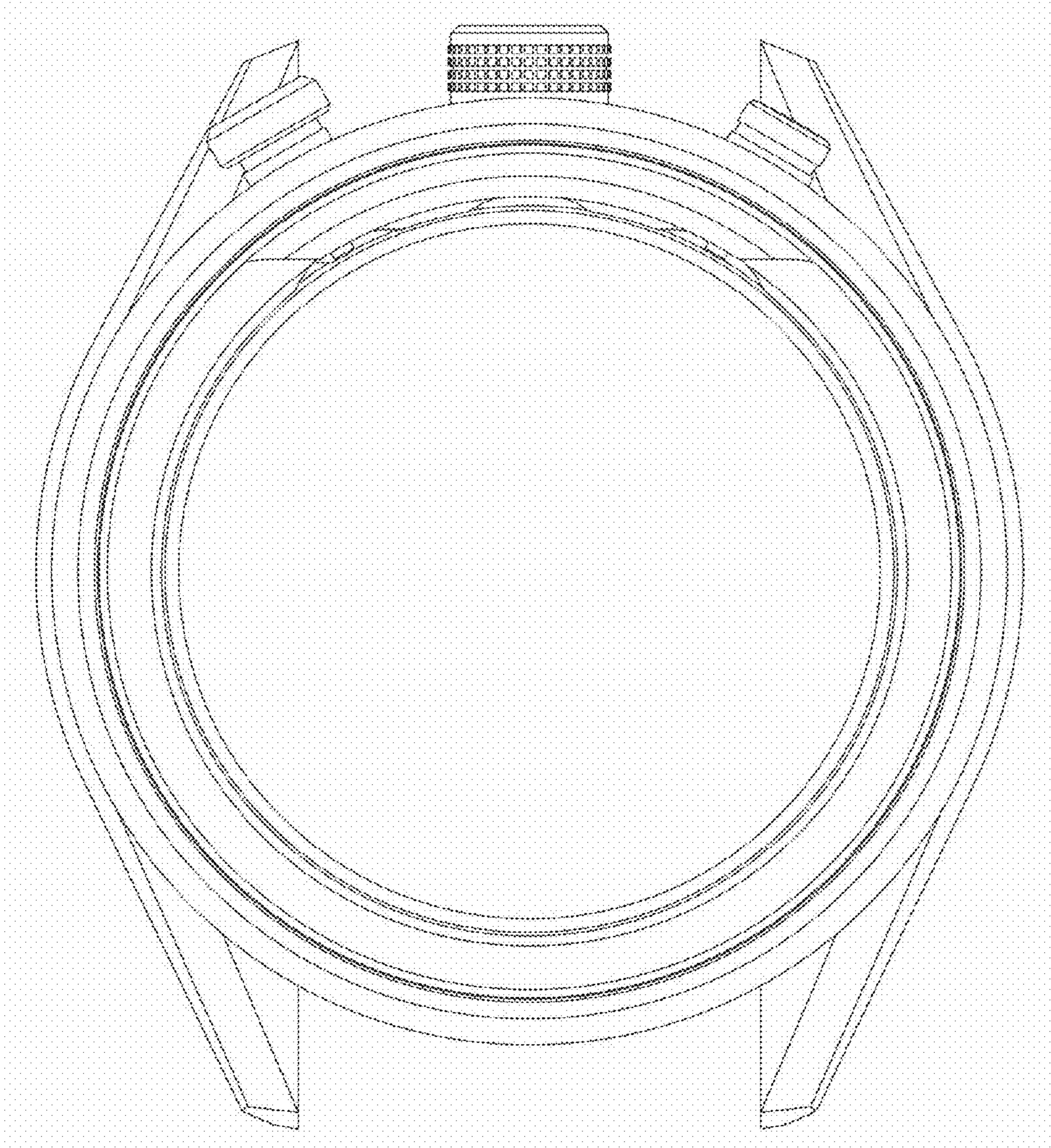
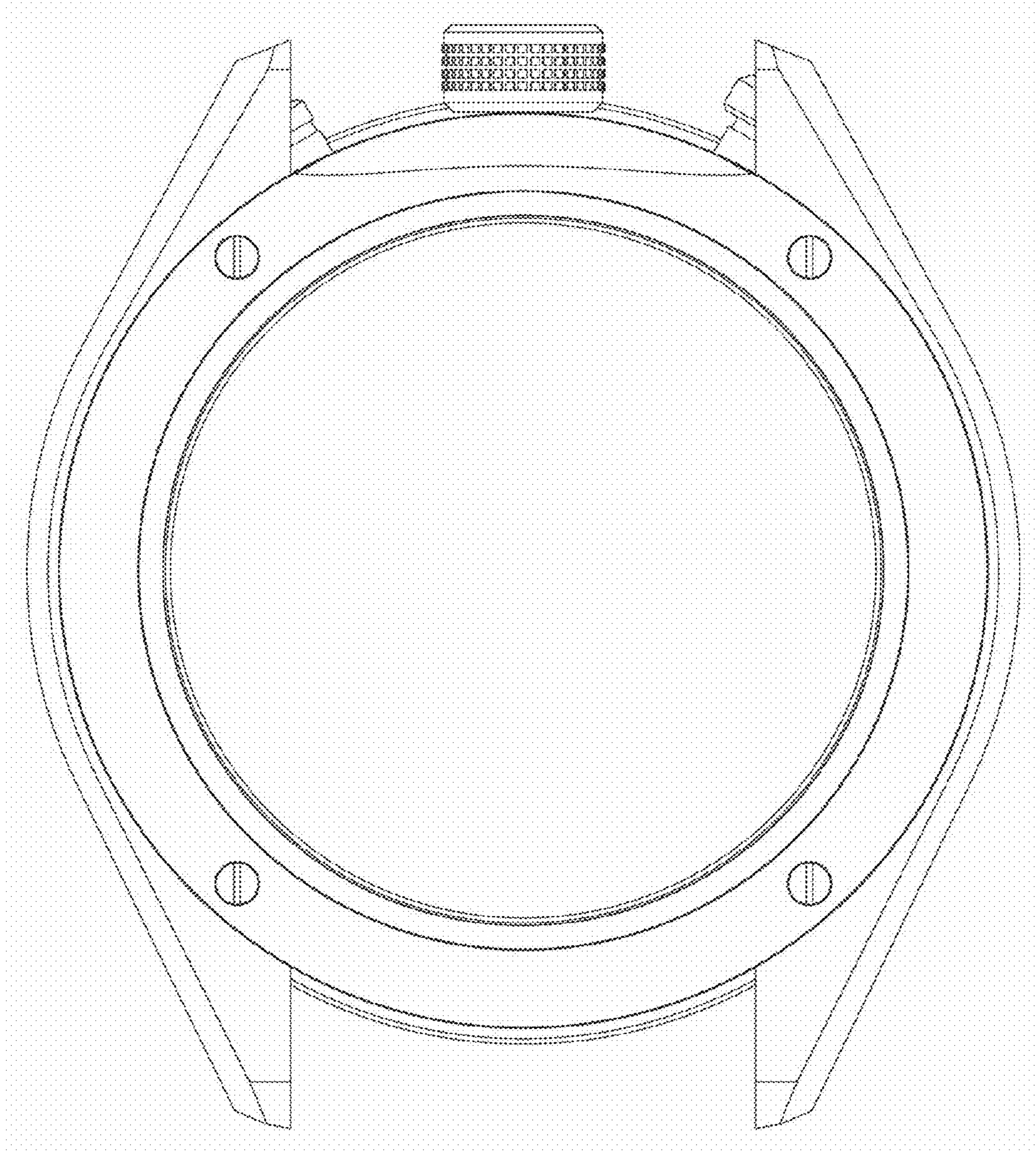


FIG. 6





**FIG. 7**