



US00D769733S

(12) **United States Design Patent**
Menkin

(10) **Patent No.:** **US D769,733 S**
(45) **Date of Patent:** **** Oct. 25, 2016**

(54) **COMBINED CONTAINER AND APPLICATOR**

(71) Applicant: **Jessica Menkin**, Marietta, GA (US)

(72) Inventor: **Jessica Menkin**, Marietta, GA (US)

(73) Assignee: **SWIPE COSMETICS, LLC**, Sandy Springs, GA (US)

(**) Term: **14 Years**

(21) Appl. No.: **29/515,944**

(22) Filed: **Jan. 28, 2015**

(51) **LOC (10) Cl.** **09-01**

(52) **U.S. Cl.**
USPC **D9/723**

(58) **Field of Classification Search**

USPC D3/247, 249-253, 303; D9/415, 416;
D14/385, 411, 435, 436; D28/5, 7;
132/294, 297, 301, 320; 206/38, 237;
345/168; 439/141, 144; 455/575.4;
710/74, 300, 301
CPC G06K 7/0047; G06K 19/005; G06K
19/07741; G09F 23/10; H05K 5/0278;
Y10S 439/945

See application file for complete search history.

(56) **References Cited**

U.S. PATENT DOCUMENTS

4,883,079	A	11/1989	Sakamaki et al.	
4,924,076	A *	5/1990	Kitamura G06K 19/07743 235/487
5,013,173	A	5/1991	Shiraishi	
D410,916	S *	6/1999	Oba D14/432
D432,505	S *	10/2000	Oba D13/182
D453,337	S *	2/2002	Pentz D14/436
6,457,647	B1 *	10/2002	Kurihashi G06K 7/0047 235/441
6,505,632	B1	1/2003	Toll et al.	
6,585,112	B2	7/2003	Levin et al.	
D529,029	S *	9/2006	Sekine D14/433
D553,130	S *	10/2007	Fiorentino D14/436
D558,199	S *	12/2007	Fiorentino D14/436

8,469,236	B2	6/2013	Kharas	
8,726,914	B2	5/2014	Lim et al.	
2009/0020443	A1	1/2009	Kesselman	
2009/0211591	A1	8/2009	Hwang	
2010/0287732	A1 *	11/2010	Fang G06F 1/1675 16/250
2011/0272308	A1 *	11/2011	Andre G06K 19/005 206/320
2012/0012126	A1	1/2012	Arrington	
2012/0266910	A1	10/2012	Tarling et al.	

OTHER PUBLICATIONS

Tool Logic Survival Card, announced Sep. 2009, [online], site visited Mar. 15, 2016. Available from Internet, <URL: <http://www.amazon.com>>.*

Unikia Smilesaver, announced May 2014, [online], site visited Mar. 15, 2016. Available from Internet, <URL: <http://www.the-gadgeteer.com>>.*

* cited by examiner

Primary Examiner — Ian Simmons

Assistant Examiner — Janice Lim

(74) *Attorney, Agent, or Firm* — Mathew L. Grell; Grell & Watson Patent Attorneys

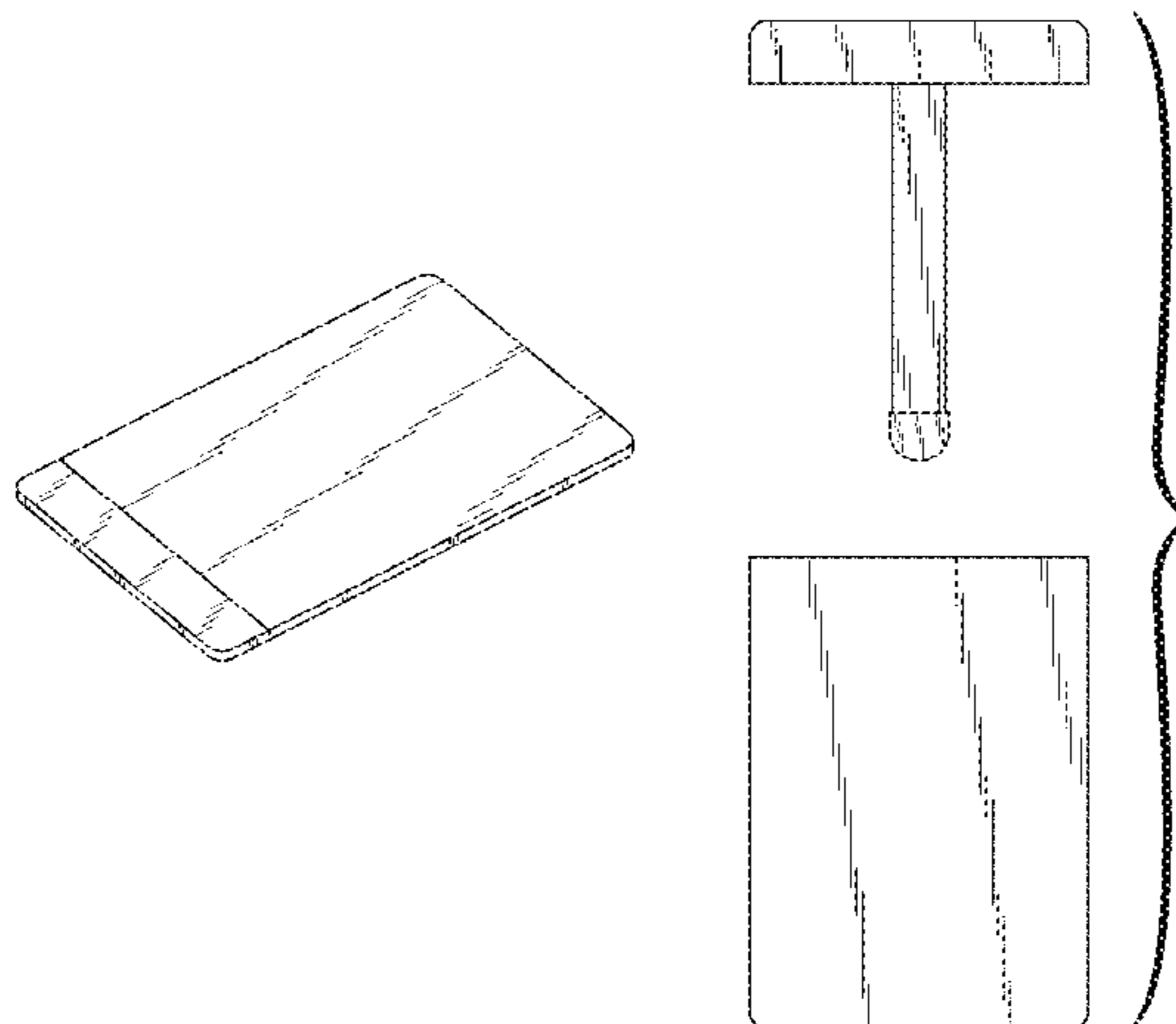
(57) **CLAIM**

The ornamental design for a combined container and applicator, as shown and described.

DESCRIPTION

FIG. 1 is a perspective view of a combined container and applicator, showing my new design;
FIG. 2 is a top plan view thereof, bottom plan view being a mirror image thereof;
FIG. 3 is a left side view thereof, and the right side view being a mirror image thereof;
FIG. 4 is a front view thereof;
FIG. 5 is a back view thereof;
FIG. 6 is an exploded top plan view thereof; and,
FIG. 7 is a top plan view thereof, with the applicator shown in partially inserted condition.

1 Claim, 4 Drawing Sheets



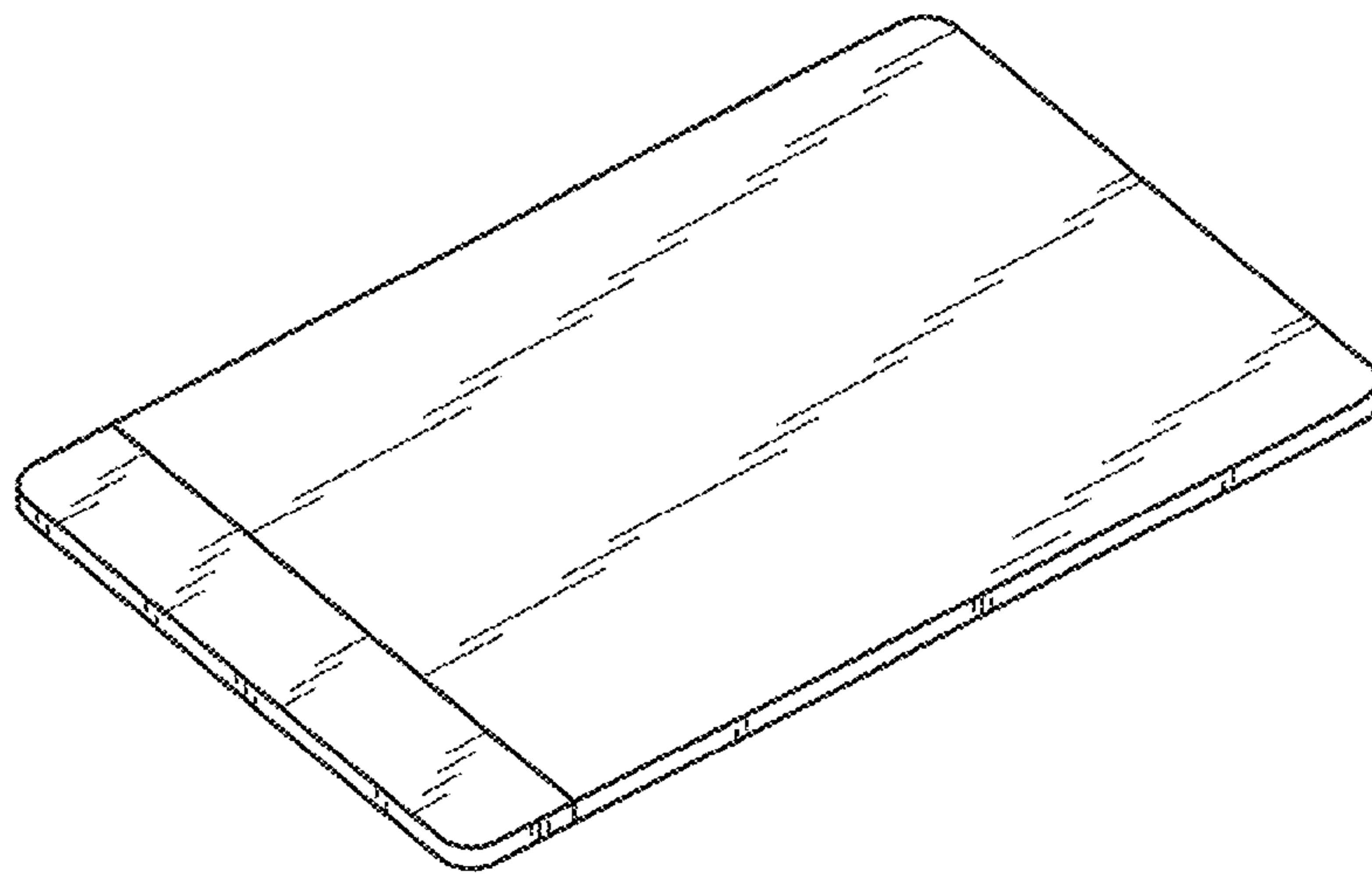


FIG. 1

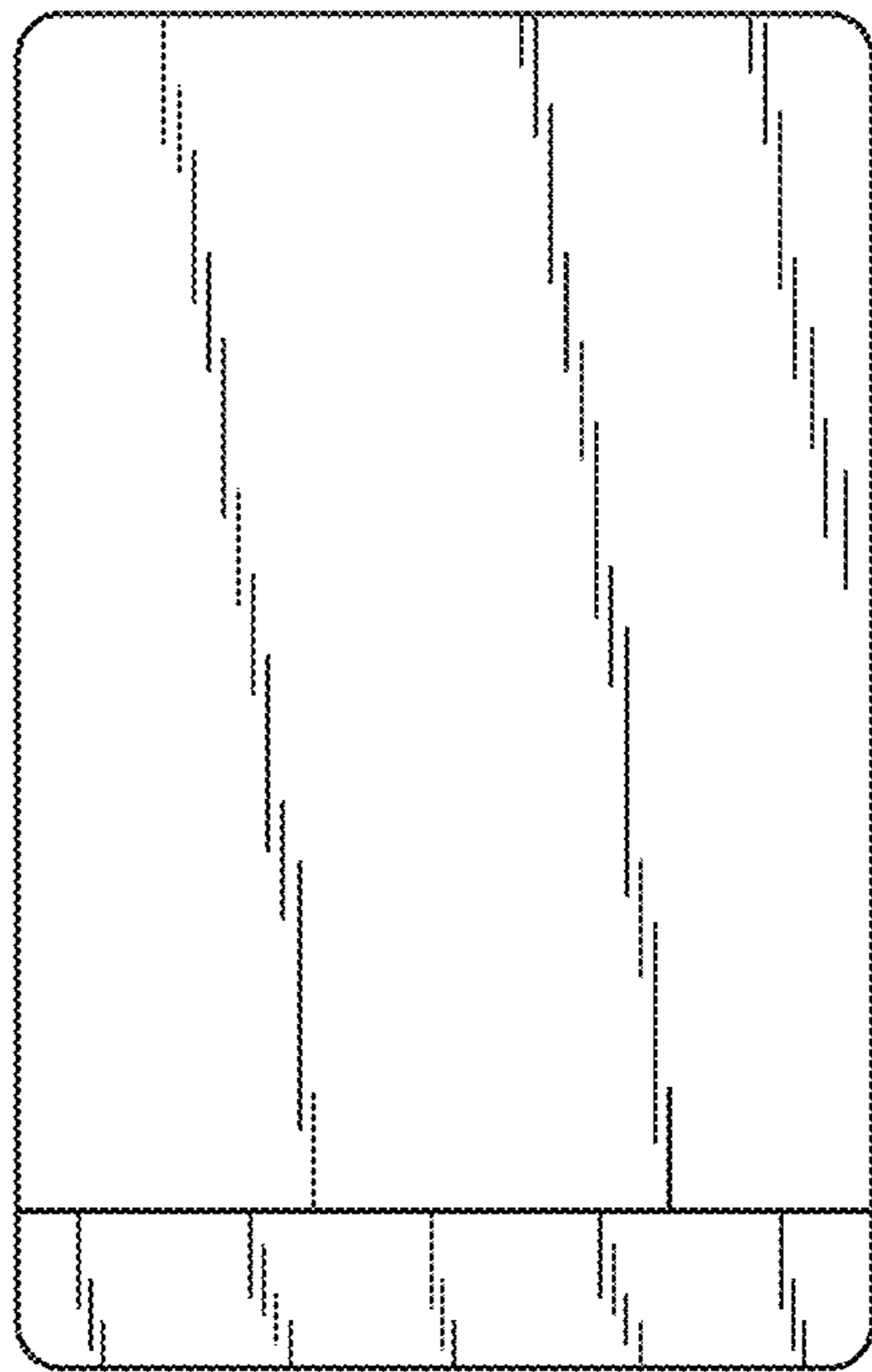


FIG. 2

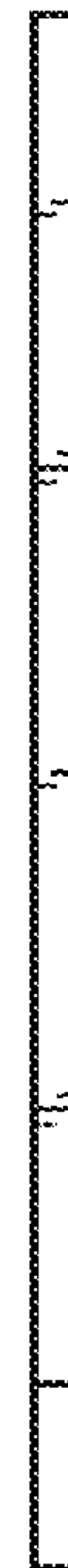


FIG. 3

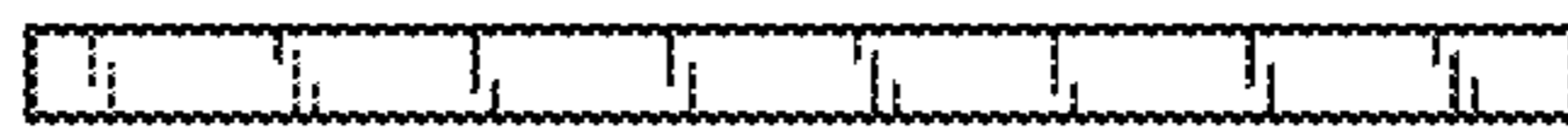


FIG. 4



FIG. 5

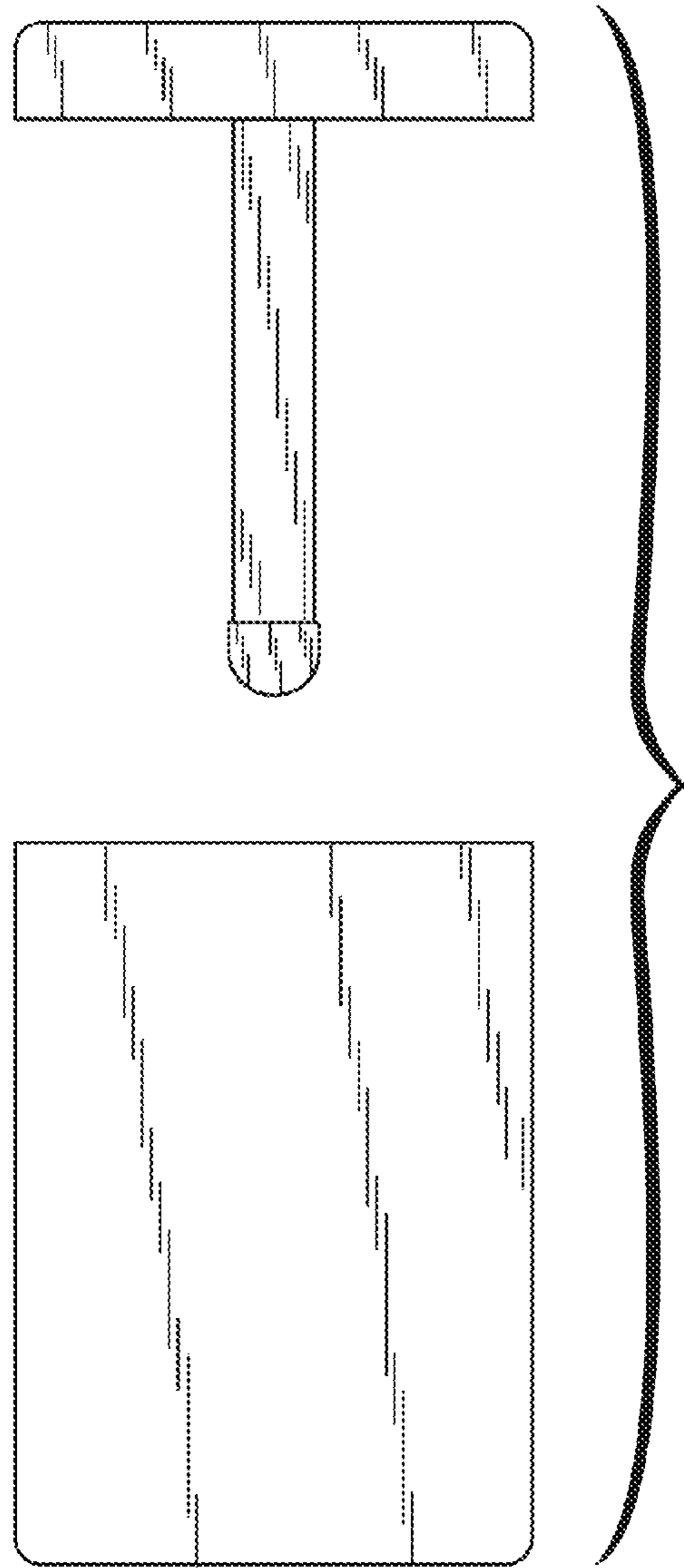


FIG. 6

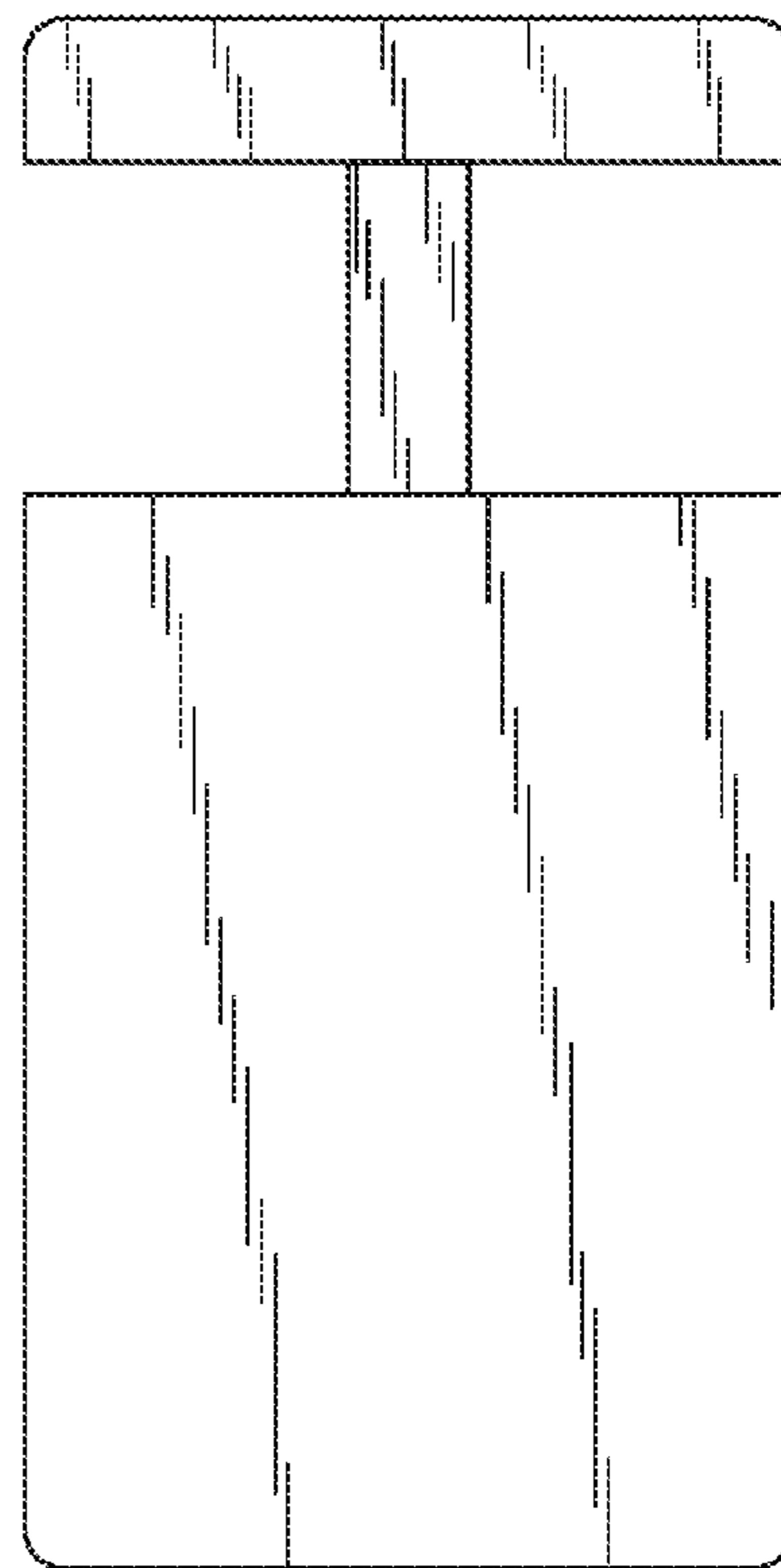


FIG. 7