



US00D769732S

(12) **United States Design Patent** (10) **Patent No.:** **US D769,732 S**  
**Shoshan** (45) **Date of Patent:** **\*\* Oct. 25, 2016**

- (54) **CONTAINER AND OVERWRAP ASSEMBLY** 5,484,059 A \* 1/1996 Sutherland ..... B65D 71/18  
 206/140  
 (71) Applicant: **FiveStar Gourmet Foods, Inc.,** D484,798 S \* 1/2004 Bukowski ..... D9/433  
 Ontario, CA (US) D595,150 S \* 6/2009 Cain ..... D9/711  
 D639,186 S \* 6/2011 Shapiro ..... D9/711  
 D639,679 S \* 6/2011 Kissner ..... D9/739  
 (72) Inventor: **Tal Shoshan,** Alta Loma, CA (US) D654,810 S \* 2/2012 Mansouri ..... D9/711  
 D665,271 S \* 8/2012 Halty ..... D9/711  
 D693,242 S \* 11/2013 Birchmeier ..... D9/711  
 (73) Assignee: **FIVESTAR GOURMET FOODS,** D710,213 S \* 8/2014 Birchmeier ..... D9/711  
**INC.,** Ontario, CA (US) D714,639 S \* 10/2014 Royer ..... D9/433  
 D718,641 S \* 12/2014 Ryan ..... D9/433  
 D722,871 S \* 2/2015 Royer ..... D9/433  
 (\*\*) Term: **14 Years** D760,036 S \* 6/2016 Hucuptan ..... D7/629

- (21) Appl. No.: **29/512,912**  
 (22) Filed: **Dec. 23, 2014**  
 (51) **LOC (10) Cl.** ..... **09-05**  
 (52) **U.S. Cl.**  
 USPC ..... **D9/711**  
 (58) **Field of Classification Search**  
 USPC ..... D9/414–418, 420–423, 430–434,  
 D9/702–705, 709–713, 715; D3/302, 303;  
 D7/601, 602  
 CPC ..... B65D 5/00–5/02; B65D 5/0209–5/0272;  
 B65D 5/40; B65D 5/5455; B65D 5/727;  
 B65D 31/10–31/18; B65D 35/04; B65D  
 35/56  
 See application file for complete search history.

- (56) **References Cited**  
 U.S. PATENT DOCUMENTS  
 3,443,681 A \* 5/1969 Wysocki ..... B65D 71/20  
 206/434  
 4,671,453 A \* 6/1987 Cassidy ..... B65D 65/24  
 206/147

\* cited by examiner

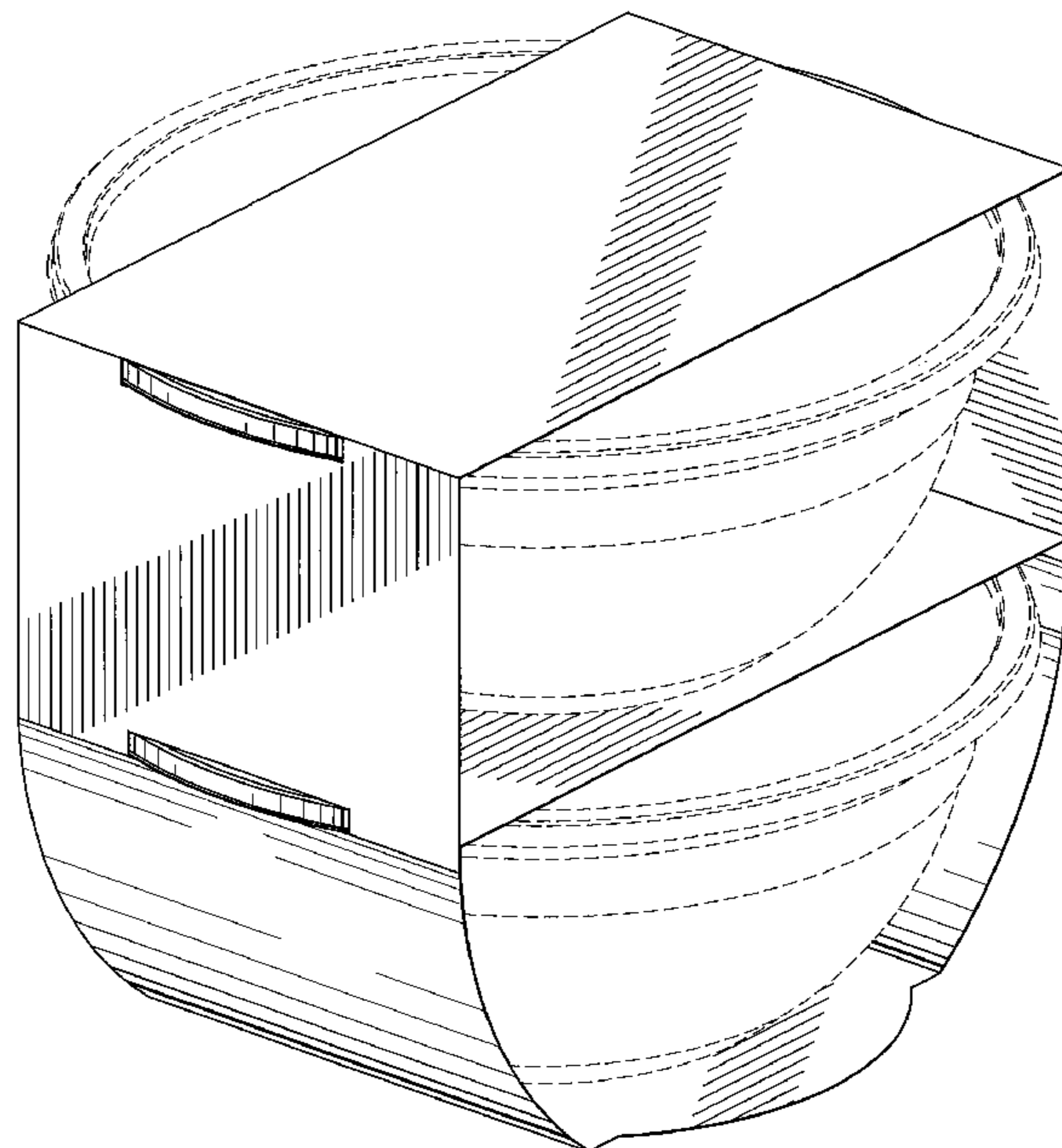
*Primary Examiner* — Vy Koenig  
 (74) *Attorney, Agent, or Firm* — Frost Brown Todd LLC

(57) **CLAIM**  
 The ornamental design for a container and overwrap assembly, as shown and described.

**DESCRIPTION**

FIG. 1 is a top perspective view of a container and overwrap assembly, showing our new design;  
 FIG. 2 is a bottom perspective view thereof;  
 FIG. 3 is a front elevational view thereof, the rear elevational view thereof being identical thereto;  
 FIG. 4 is a left elevational view thereof, the right elevational view being identical thereto;  
 FIG. 5 is a top plan view thereof; and,  
 FIG. 6 is a bottom plan view thereof.  
 The protrusions, recesses, and other portions of the container and overwrap assembly shown in broken lines are unclaimed environment, and form no part of the claimed design.

**1 Claim, 6 Drawing Sheets**



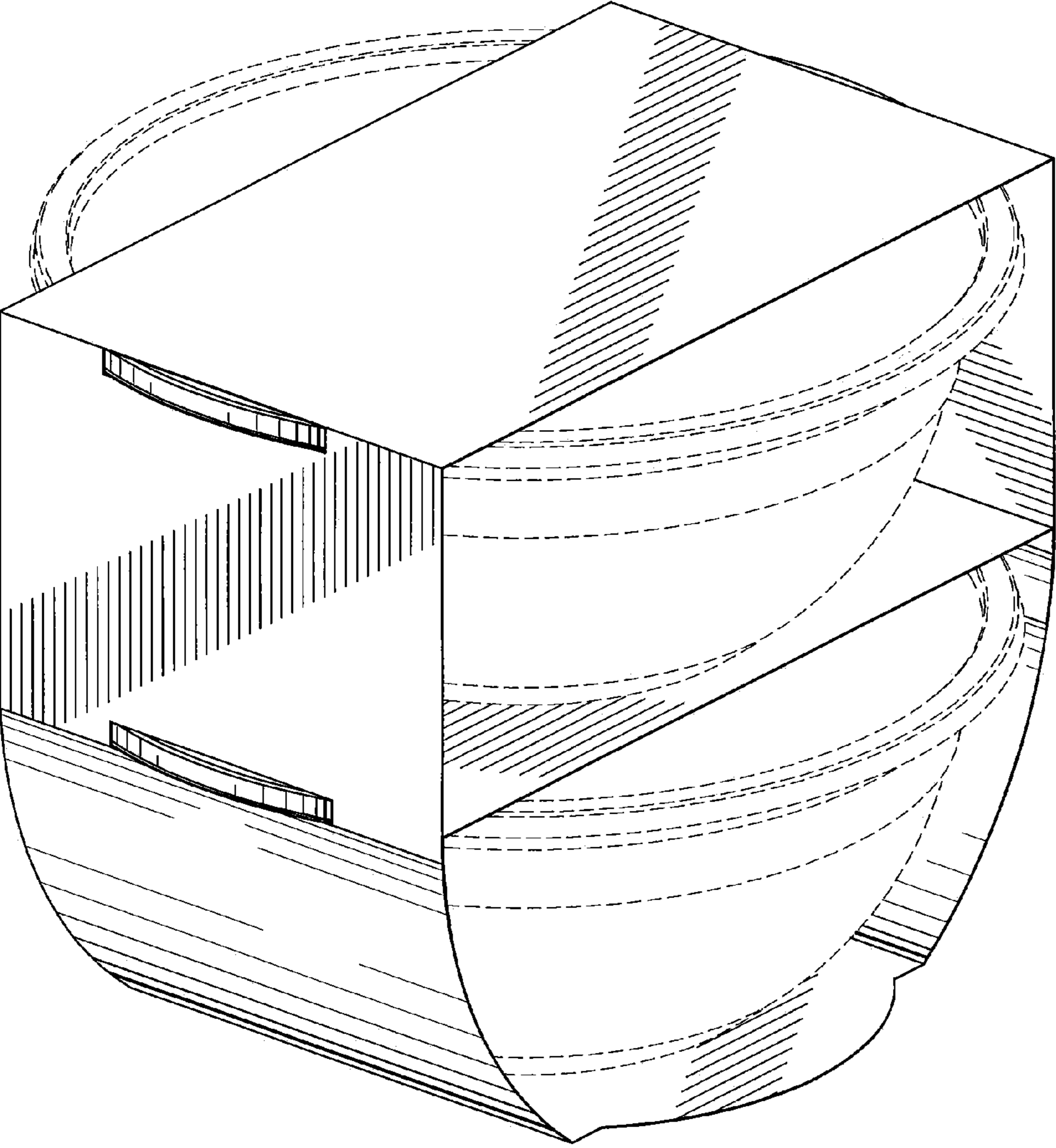


Fig.1

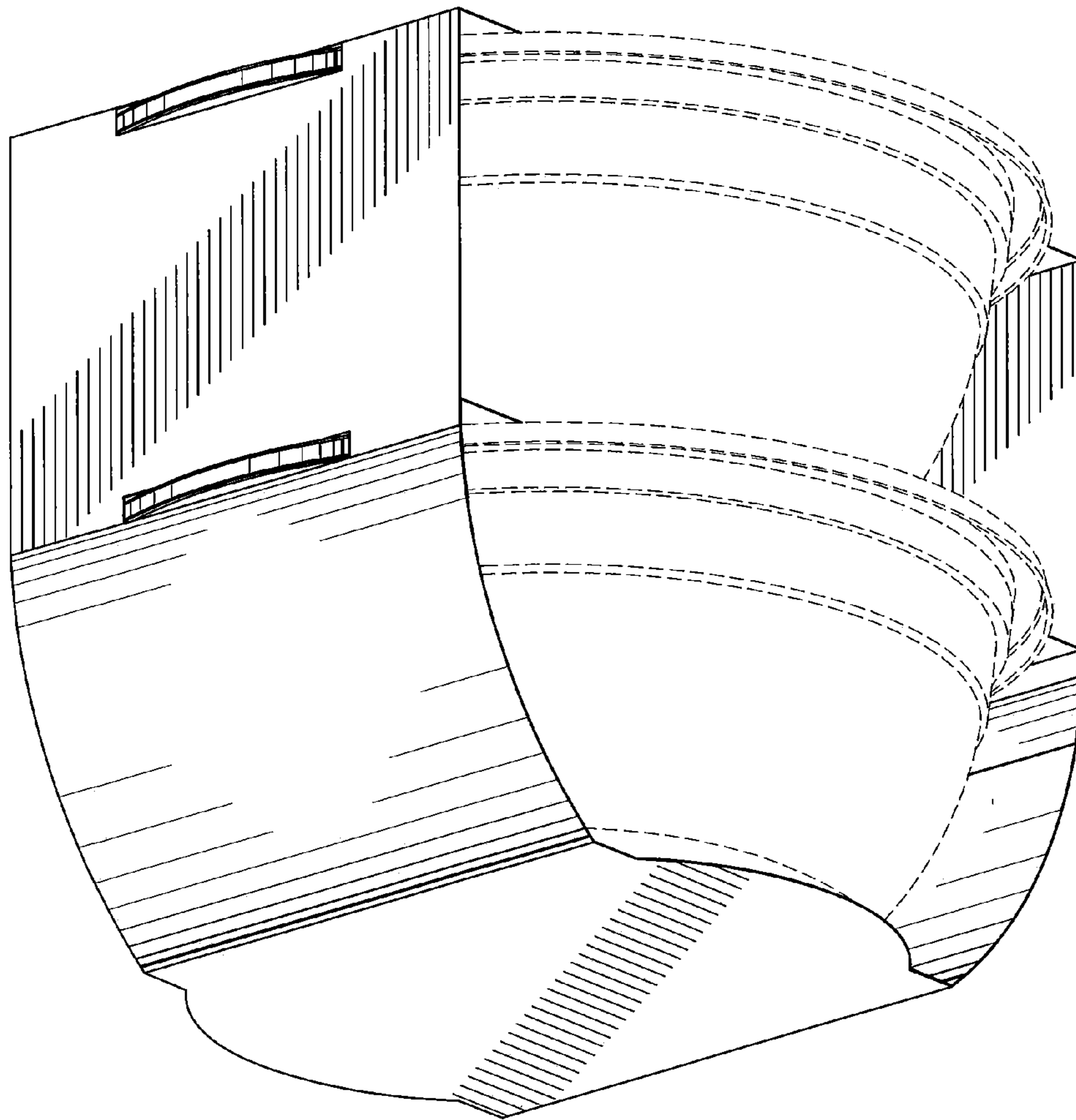


Fig.2

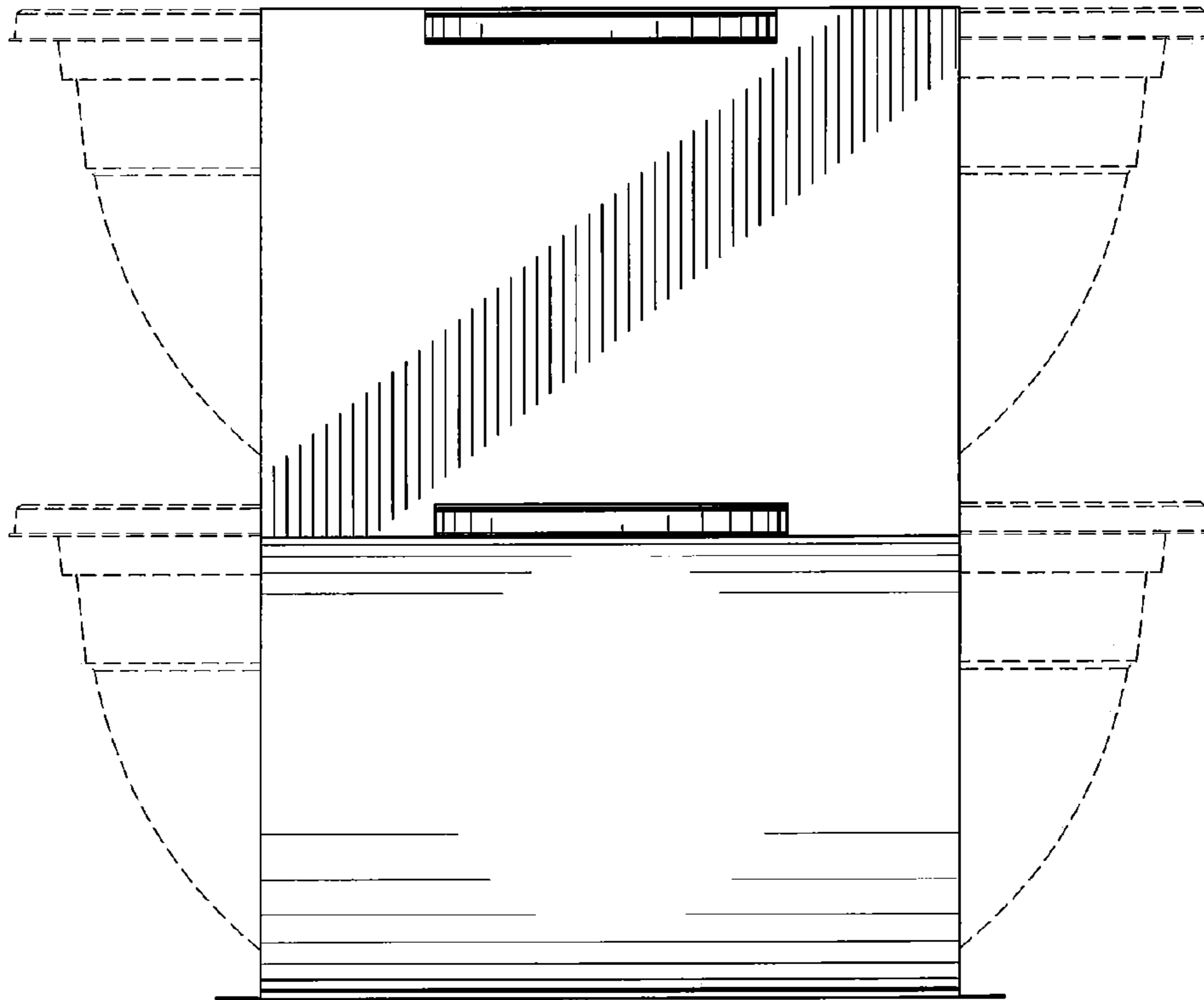


Fig.3

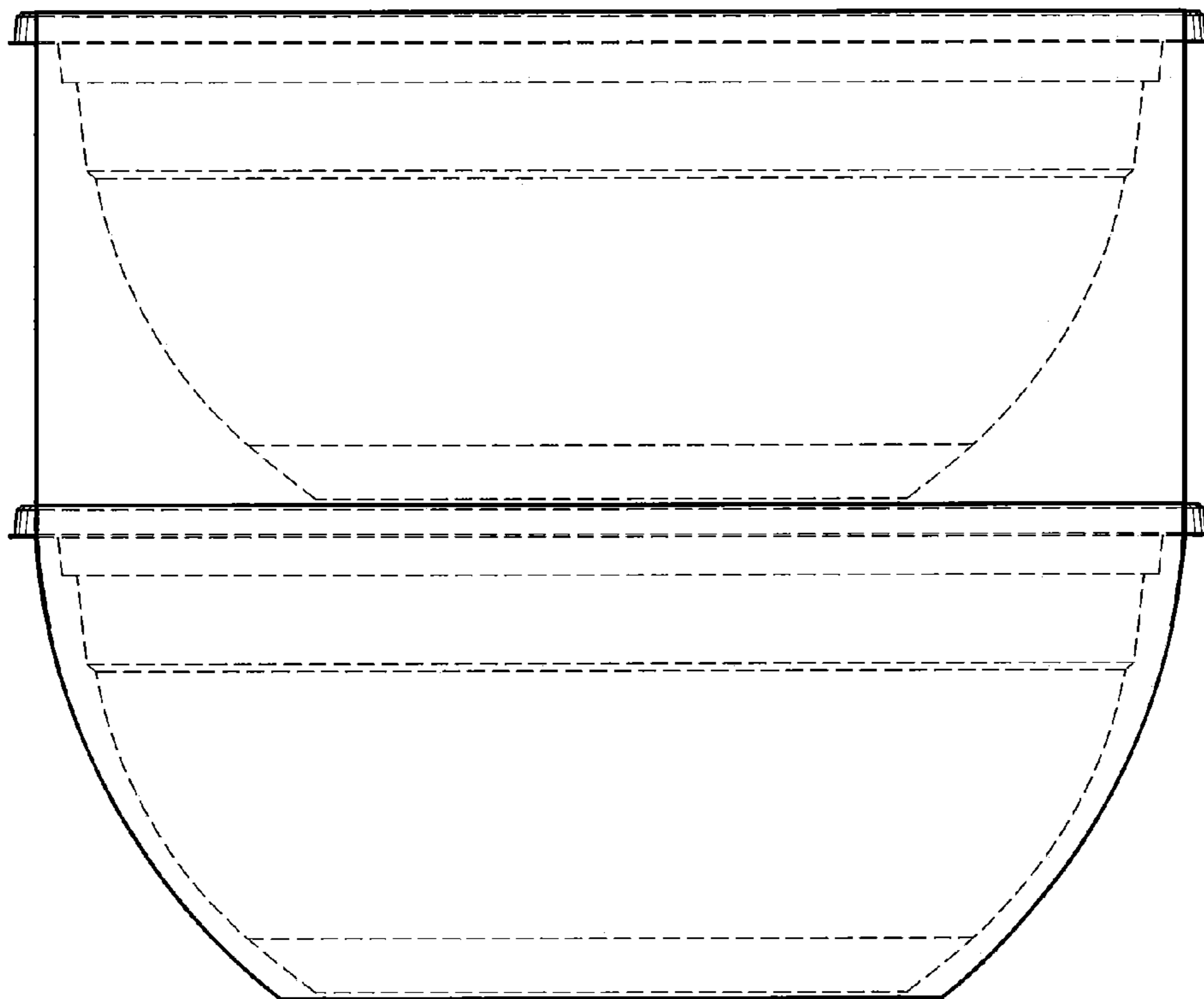


Fig.4



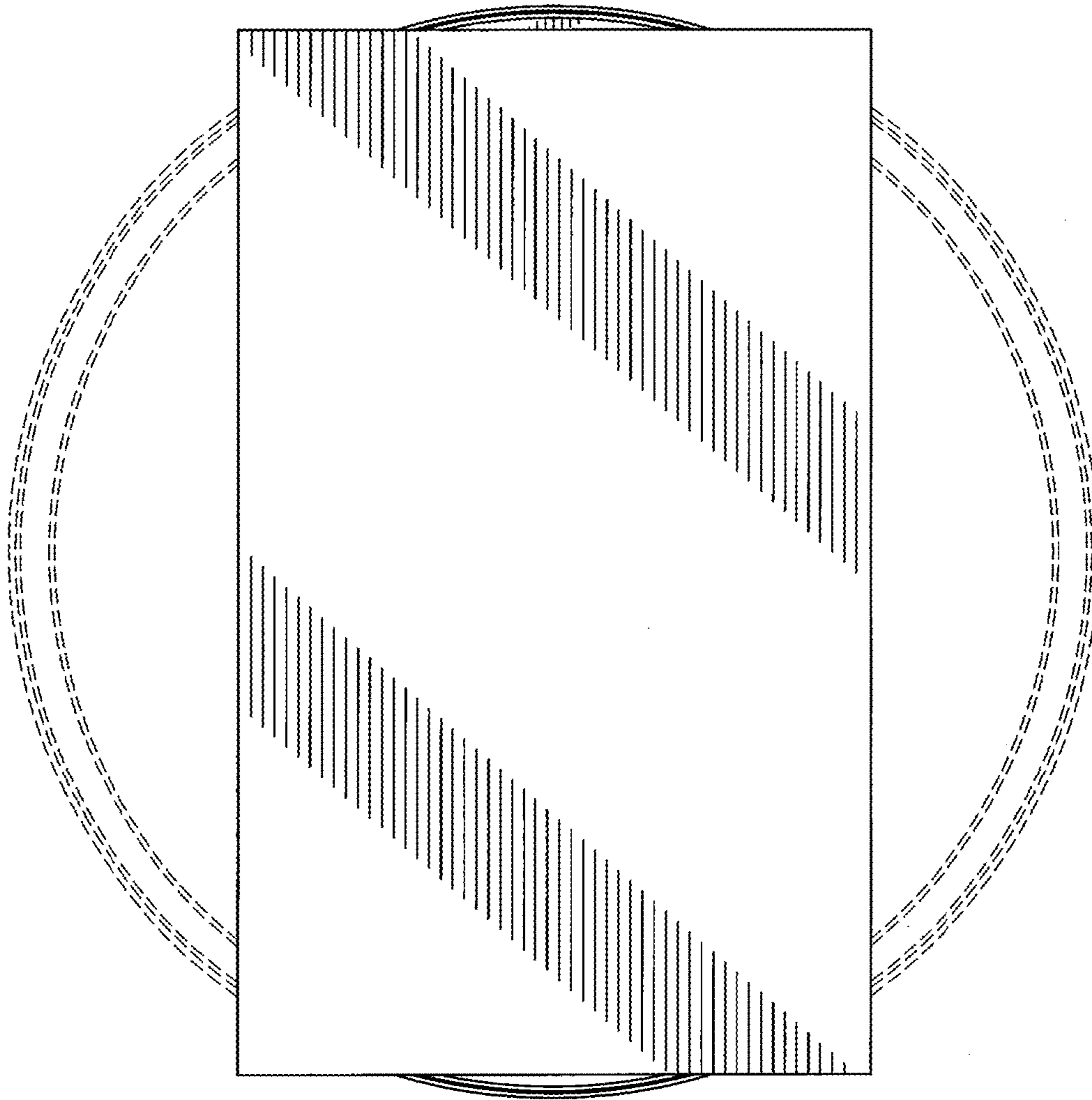


Fig.5

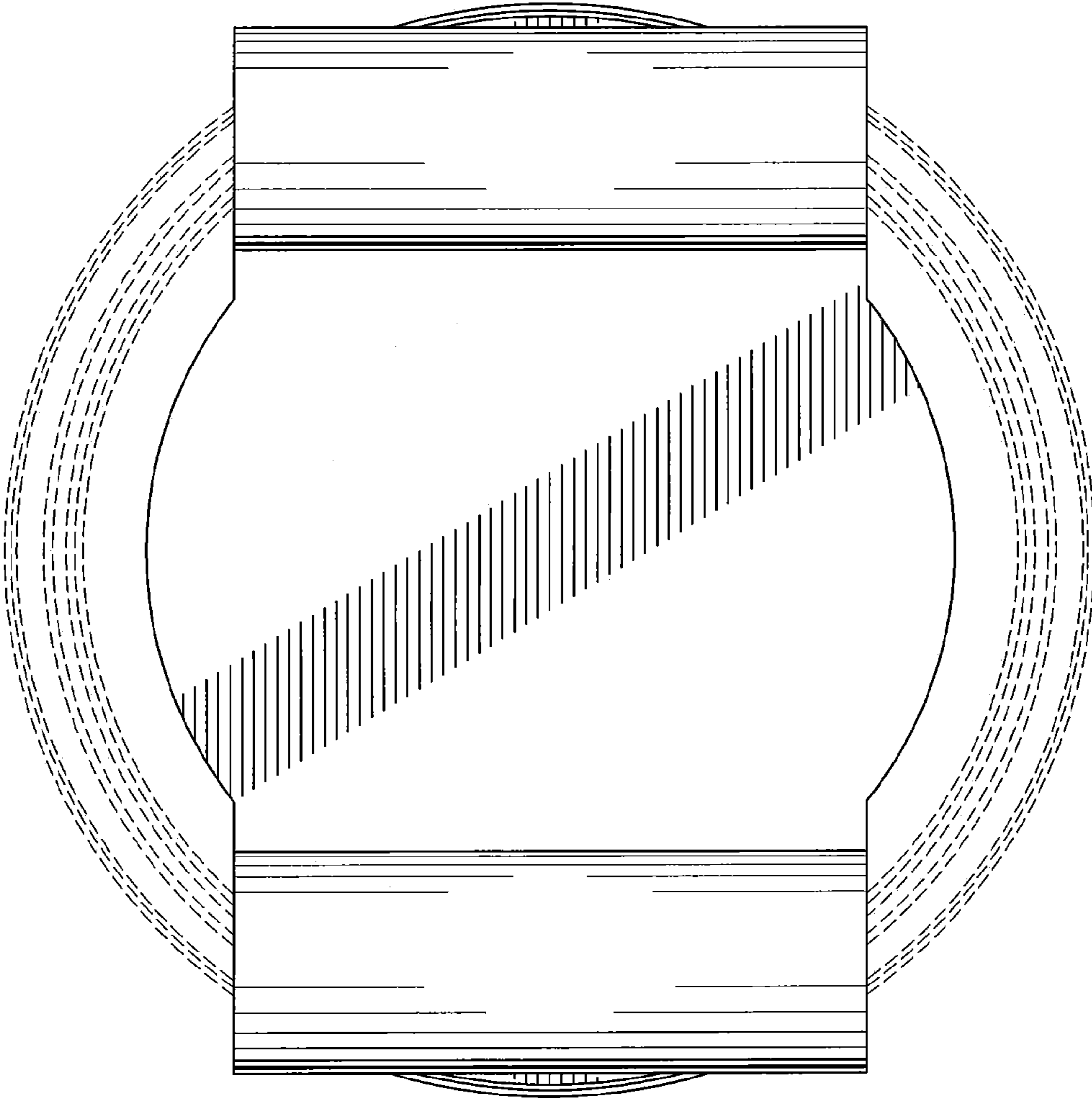


Fig.6