



US00D769729S

(12) **United States Design Patent** (10) **Patent No.:** **US D769,729 S**  
**Kelly et al.** (45) **Date of Patent:** **\*\* Oct. 25, 2016**

(54) **BOX**  
(71) Applicant: **The Northwest Company, LLC**,  
Roslyn, NY (US)  
(72) Inventors: **Kathleen Lynne Kelly**, Lindenhurst,  
NY (US); **Elizabeth Anne Gilmore**,  
Lindenhurst, NY (US); **Jillian Ilyssa  
Ivler**, Plainview, NY (US)  
(73) Assignee: **The Northwest Company, LLC**,  
Roslyn, NY (US)  
(\*\*) Term: **15 Years**  
(21) Appl. No.: **29/544,368**  
(22) Filed: **Nov. 3, 2015**  
(51) **LOC (10) Cl.** ..... **09-01**  
(52) **U.S. Cl.**  
USPC ..... **D9/652; D9/415; D9/418**  
(58) **Field of Classification Search**  
USPC ..... D9/600; 206/457, 494, 459.5, 527, 540;  
229/116.1; 446/77; 215/381-384, 400;  
D3/270-271.3  
CPC ..... B65D 67/00; B65D 81/36; B65D 81/60;  
B65D 81/368; B65D 2203/00; B65D  
2203/02; A63H 33/16  
See application file for complete search history.

D528,905 S \* 9/2006 Sholeen ..... D9/418  
D529,376 S \* 10/2006 Sholeen ..... D9/418  
D529,796 S \* 10/2006 Sholeen ..... D9/418  
D567,646 S \* 4/2008 Ballard ..... D9/415  
D581,263 S \* 11/2008 Suyama ..... D9/415  
D696,134 S \* 12/2013 Larson ..... D9/432

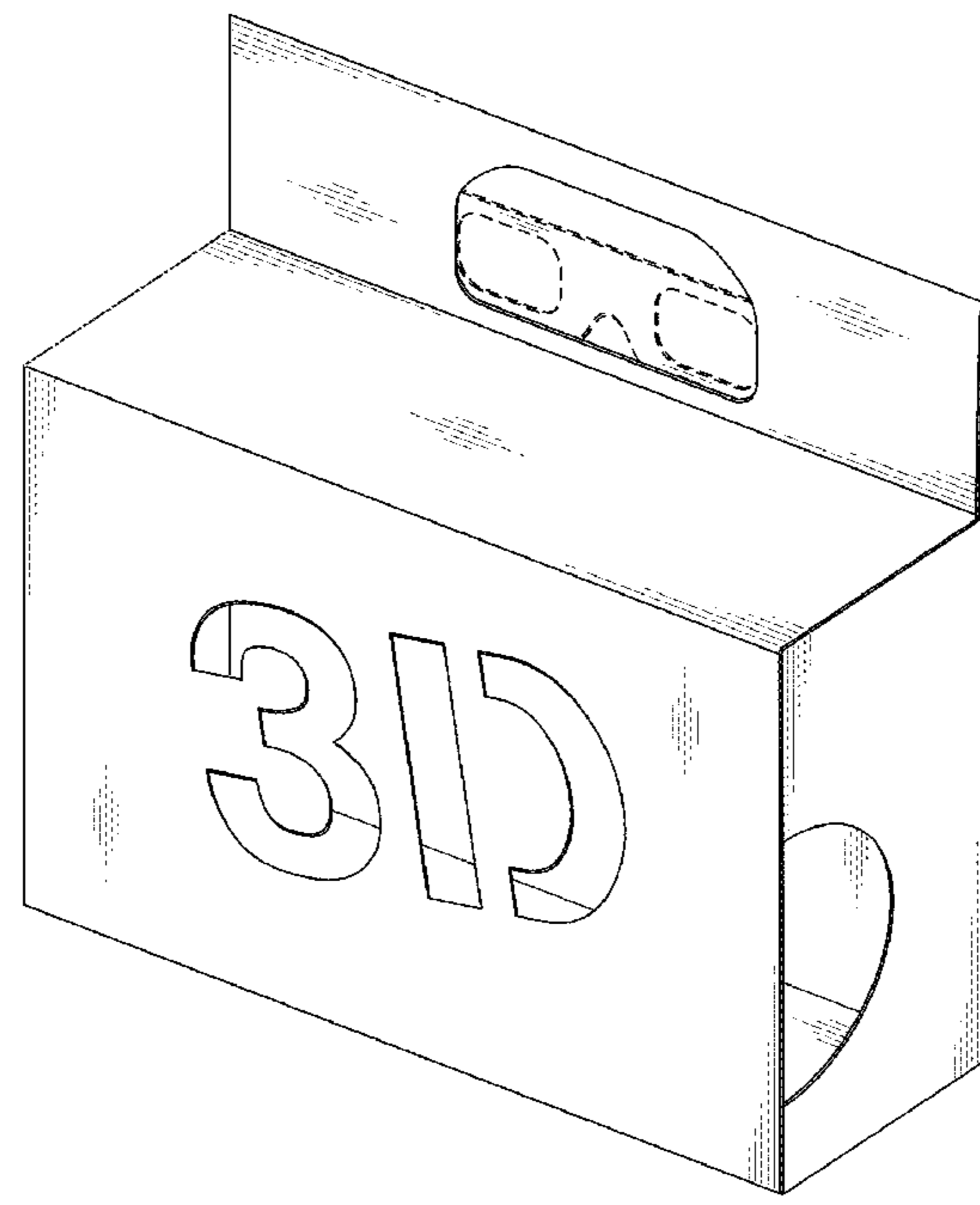
\* cited by examiner  
*Primary Examiner* — Sandra Morris  
(74) *Attorney, Agent, or Firm* — Collard & Roe, P.C.

(57) **CLAIM**  
The ornamental design for a box, as shown and described.

**DESCRIPTION**  
FIG. 1 shows a front, top and right side perspective view of  
a box, showing our new design;  
FIG. 2 is a front view thereof;  
FIG. 3 is a right side view thereof;  
FIG. 4 is a left side view thereof;  
FIG. 5 is a rear view thereof;  
FIG. 6 is a top view thereof; and,  
FIG. 7 is a bottom view thereof.  
The features shown in broken lines depict environmental  
structure only and form no part of the claimed design.

(56) **References Cited**  
U.S. PATENT DOCUMENTS  
D265,886 S \* 8/1982 Caputo ..... D9/418  
D344,021 S \* 2/1994 Martin ..... D9/415  
D406,754 S \* 3/1999 Tanabe ..... D9/415  
D434,654 S \* 12/2000 McCool ..... D9/415

**1 Claim, 5 Drawing Sheets**



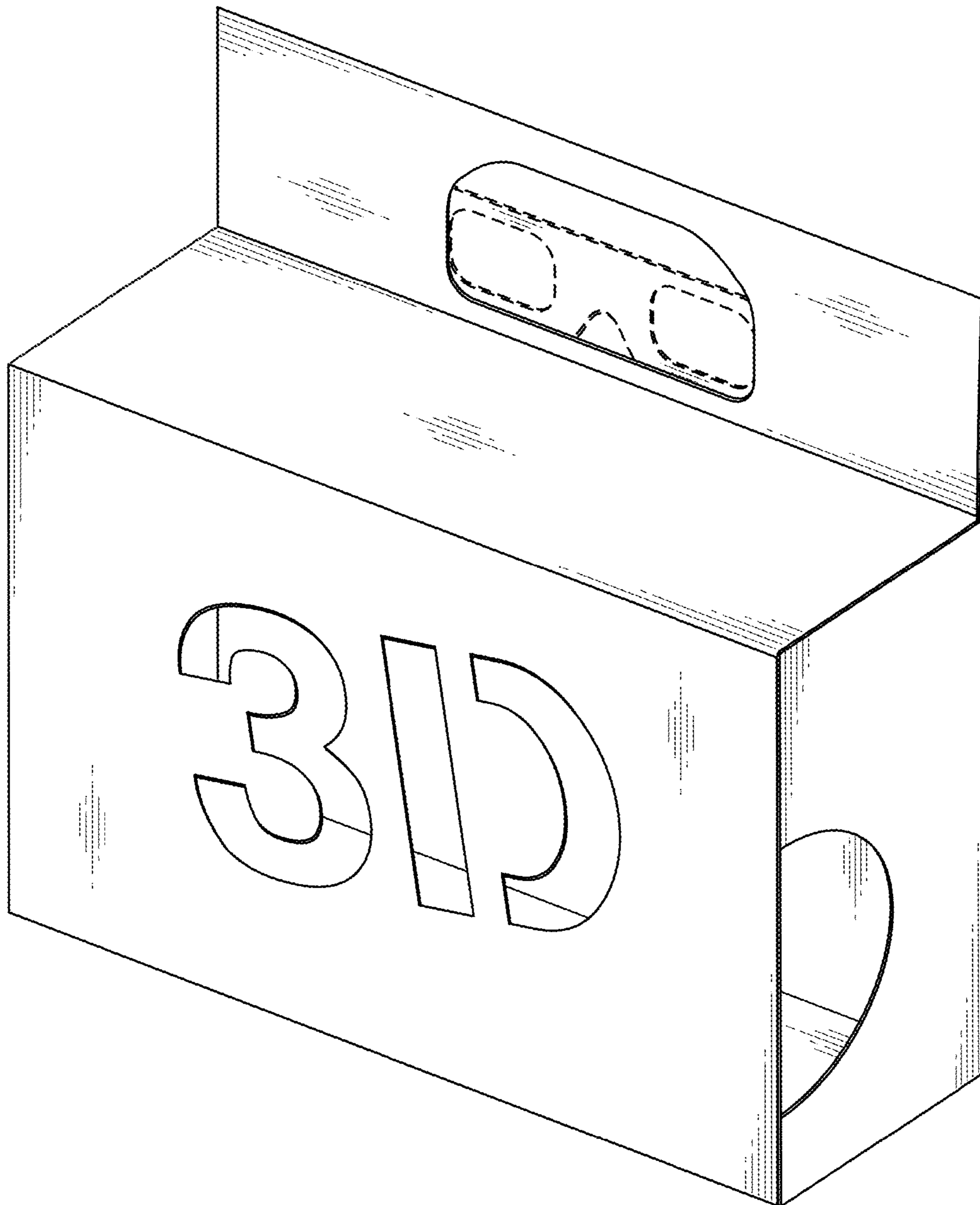


FIG. 1

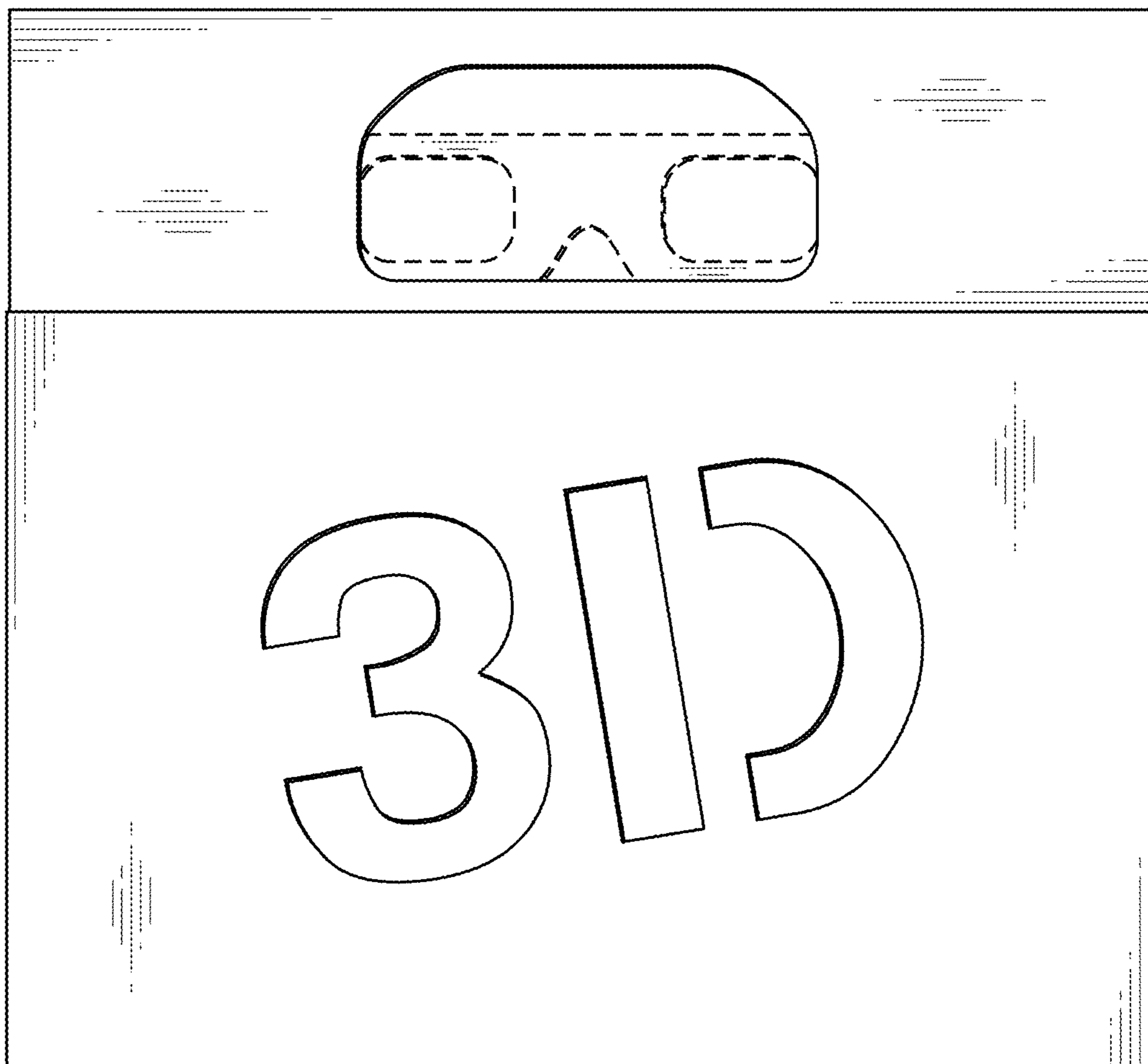


FIG. 2

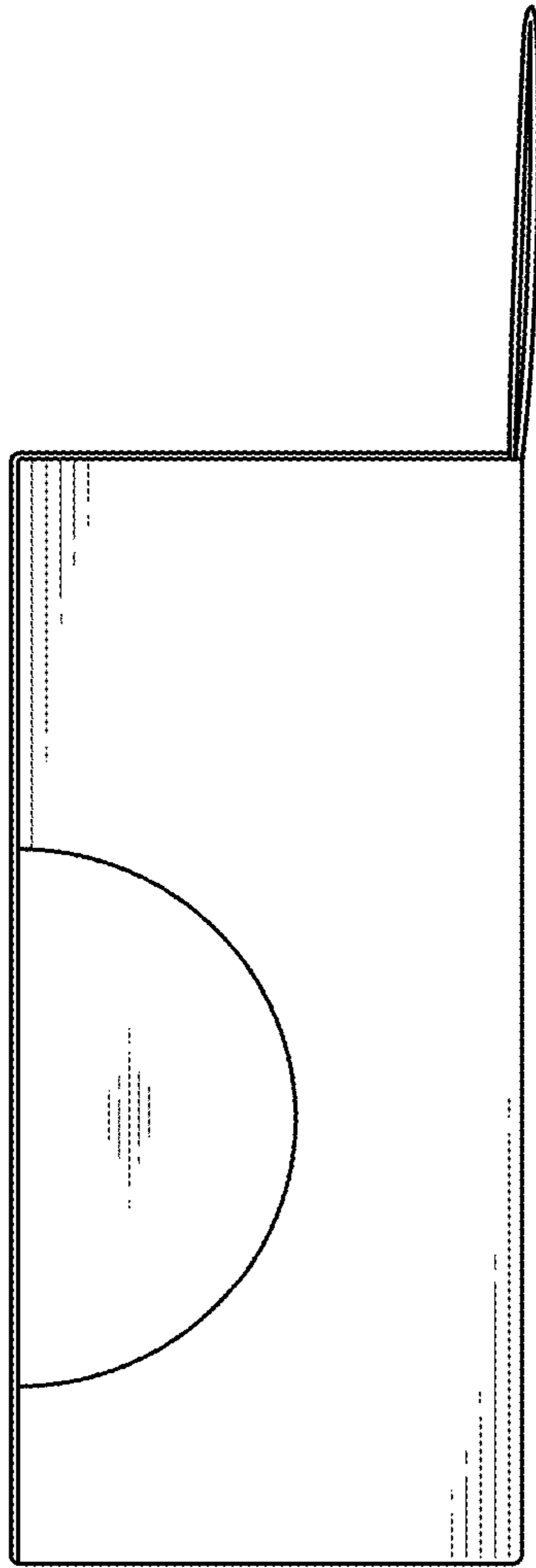


FIG. 3

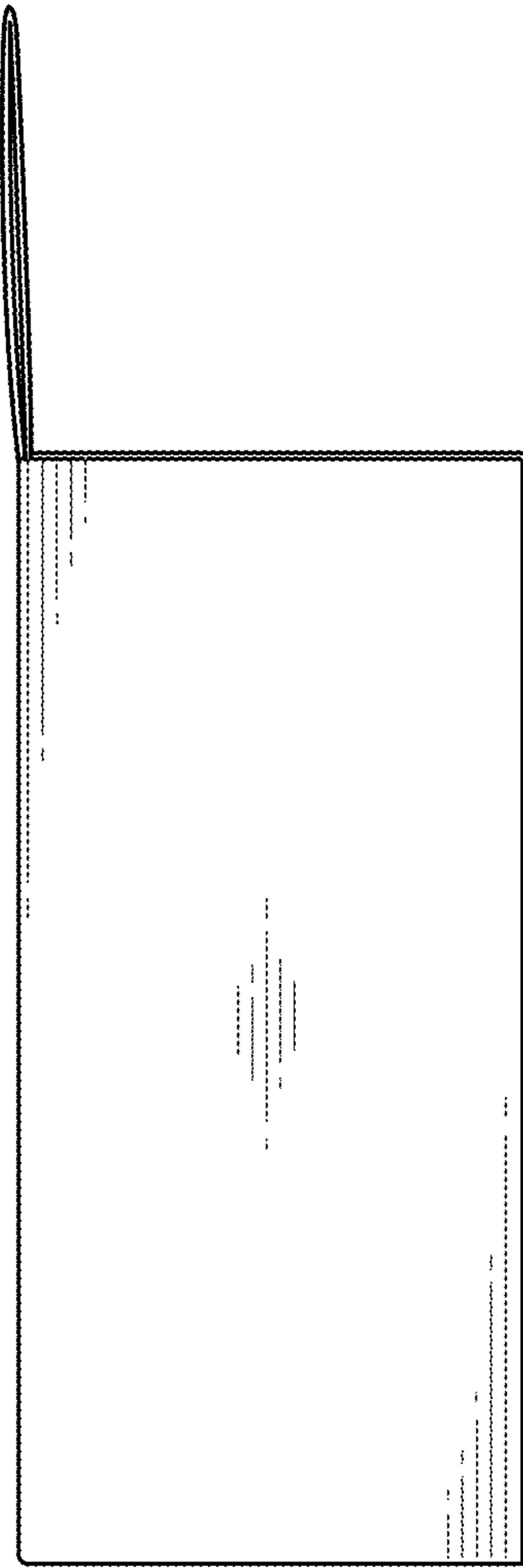


FIG. 4

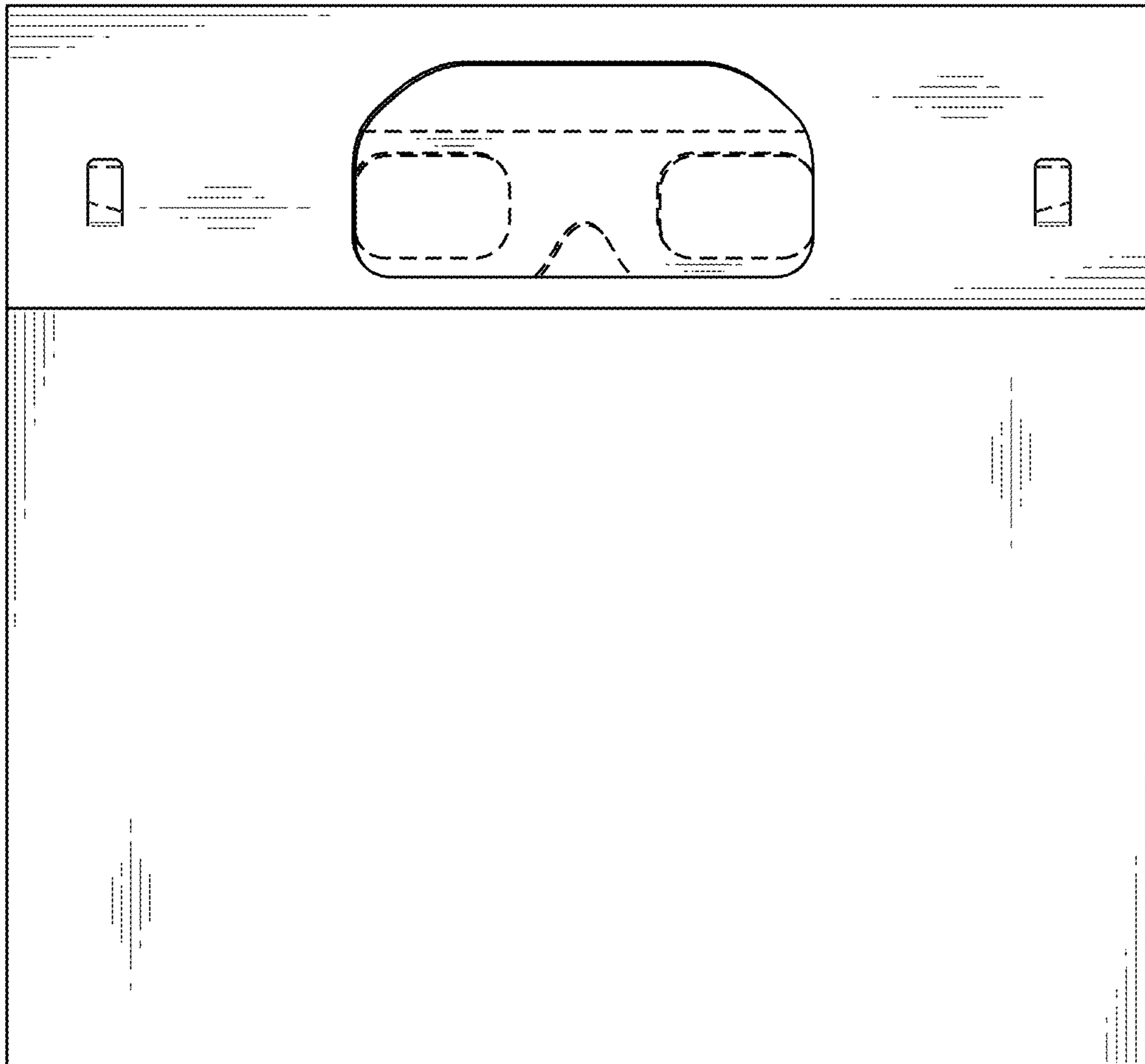


FIG. 5

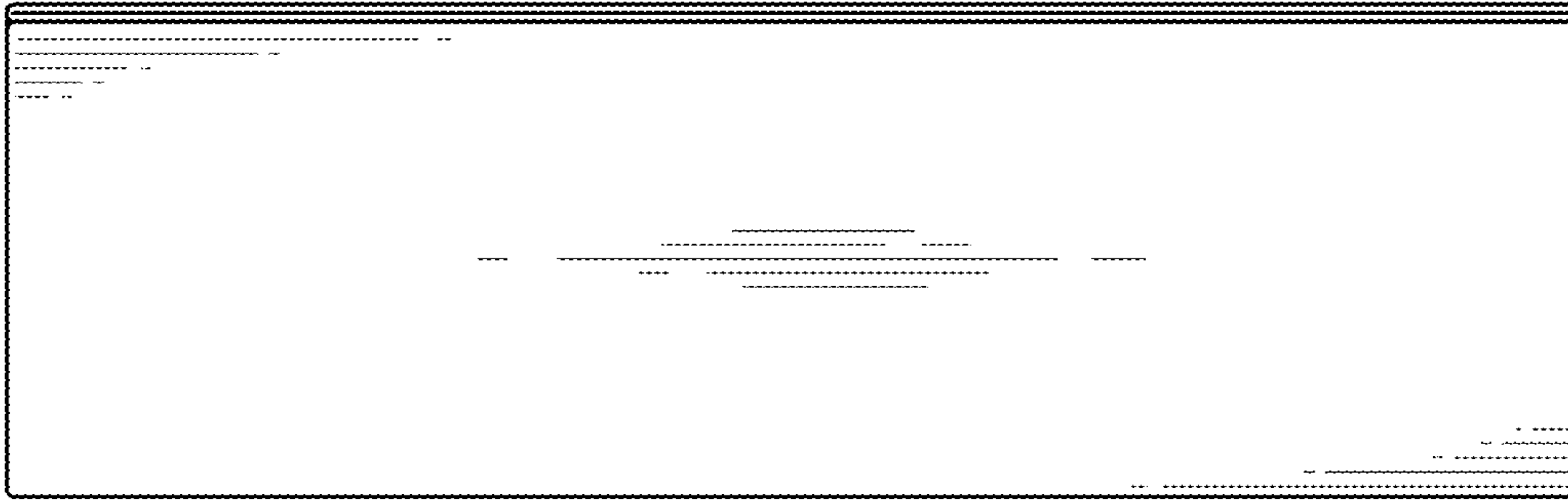


FIG. 6

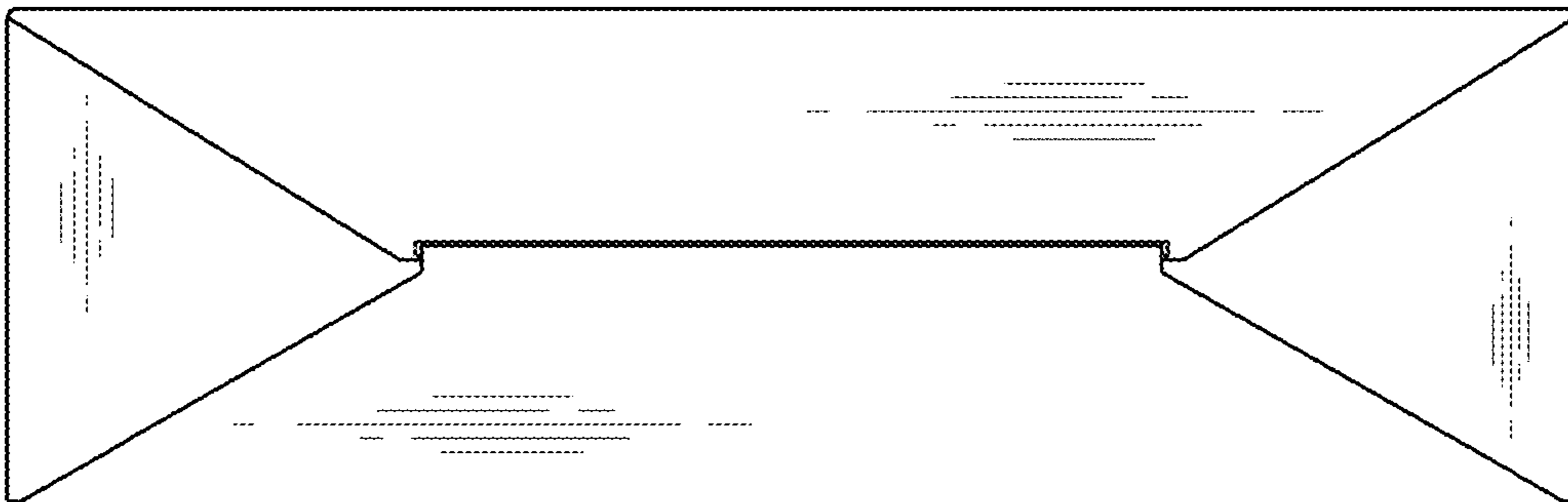


FIG. 7