



US00D769726S

(12) **United States Design Patent**
Trombetta

(10) **Patent No.:** **US D769,726 S**

(45) **Date of Patent:** **** Oct. 25, 2016**

(54) **CAPSULE WITH LOGO**

(71) Applicant: **2266170 Ontario Inc.**, Mississauga,
Ontario (CA)

(72) Inventor: **Liberatore A. Trombetta**, Ancaster
(CA)

(73) Assignee: **2266170 Ontario Inc.** (CA)

(**) Term: **14 Years**

(21) Appl. No.: **29/485,784**

(22) Filed: **Mar. 21, 2014**

(51) **LOC (10) Cl.** **09-01**

(52) **U.S. Cl.**

USPC **D9/600**; D9/667

(58) **Field of Classification Search**

USPC D9/414, 416, 418, 424-425, 427-428,
D9/434-435, 454, 500, 503-505, 516, 518,
D9/549, 558, 715-716, 719, 600, 667;
D7/507, 509-511, 523, 601-603, 612,
D7/615, 629-630, 400; D11/152;
D14/491-492; D20/11, 22, 28

CPC B65D 1/00; B65D 1/26; B65D 1/265;
B65D 17/00; B65D 17/02; B65D 17/50;
B65D 17/501; B65D 23/00; B65D 81/00;
B65D 85/804; B65D 85/8043; B65D
85/8046; B65D 2501/00; B65D 2501/0009

See application file for complete search history.

(56) **References Cited**

U.S. PATENT DOCUMENTS

D4,260 S 7/1870 Doyle
2,828,789 A * 4/1958 Geisler B65D 43/0206
220/783
2,919,844 A 1/1960 Anderson
3,128,029 A * 4/1964 Price B29C 67/221
220/DIG. 14
3,527,020 A * 9/1970 Mancini B65B 7/16
53/282

D241,228 S * 8/1976 Boduch D7/523
D244,063 S 4/1977 Christian
D247,548 S 3/1978 Crary
D258,350 S * 2/1981 Scott D9/438
D259,625 S 6/1981 Hamilton et al.

(Continued)

FOREIGN PATENT DOCUMENTS

CN 3102737 2/1999
CN 3102740 2/1999

(Continued)

OTHER PUBLICATIONS

U.S. Appl. No. 29/464,387, titled "Capsule," filed Aug. 15, 2013.

(Continued)

Primary Examiner — Dana L Meyrow

(74) *Attorney, Agent, or Firm* — Saidman DesignLaw
Group, LLC

(57)

CLAIM

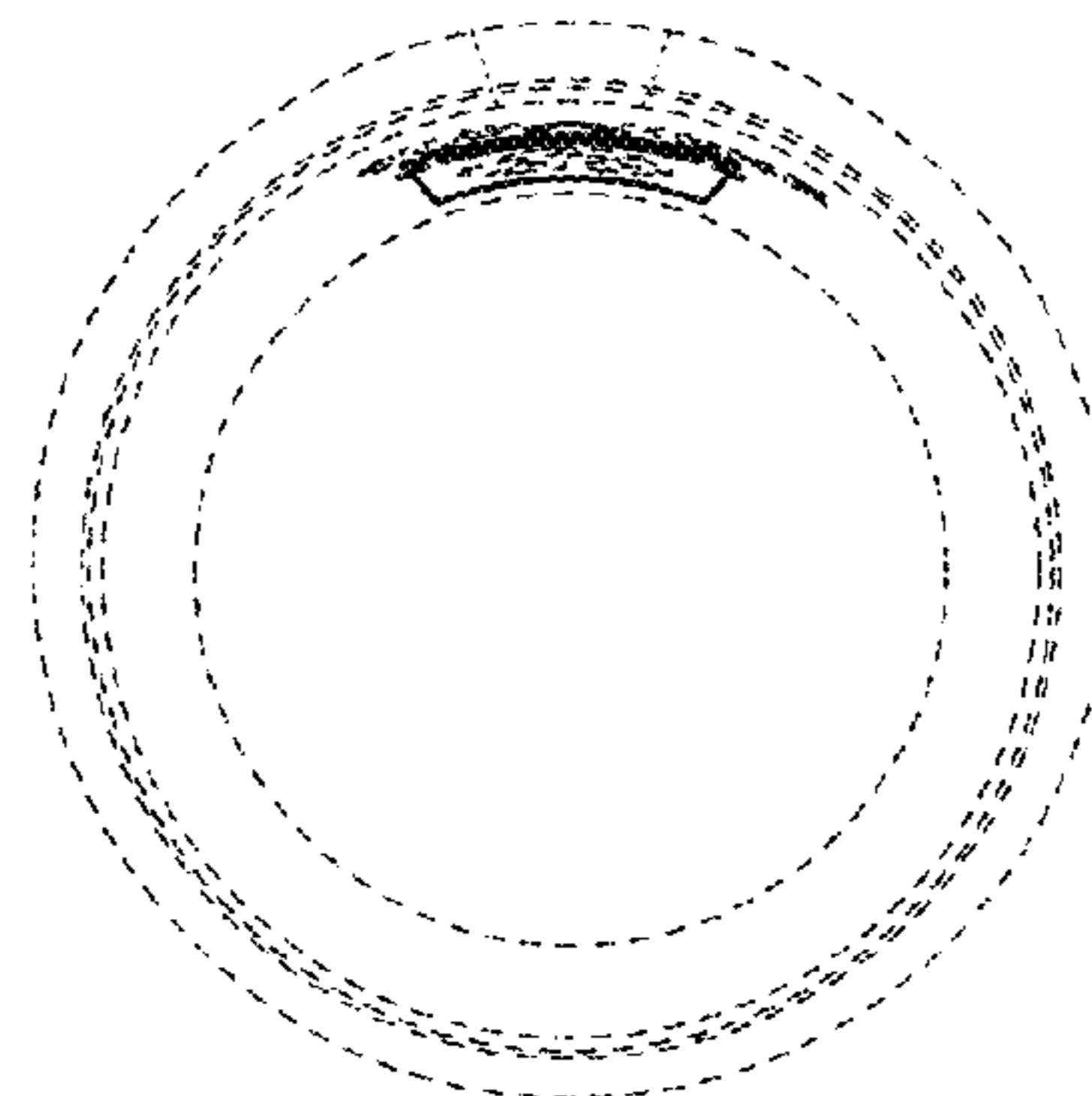
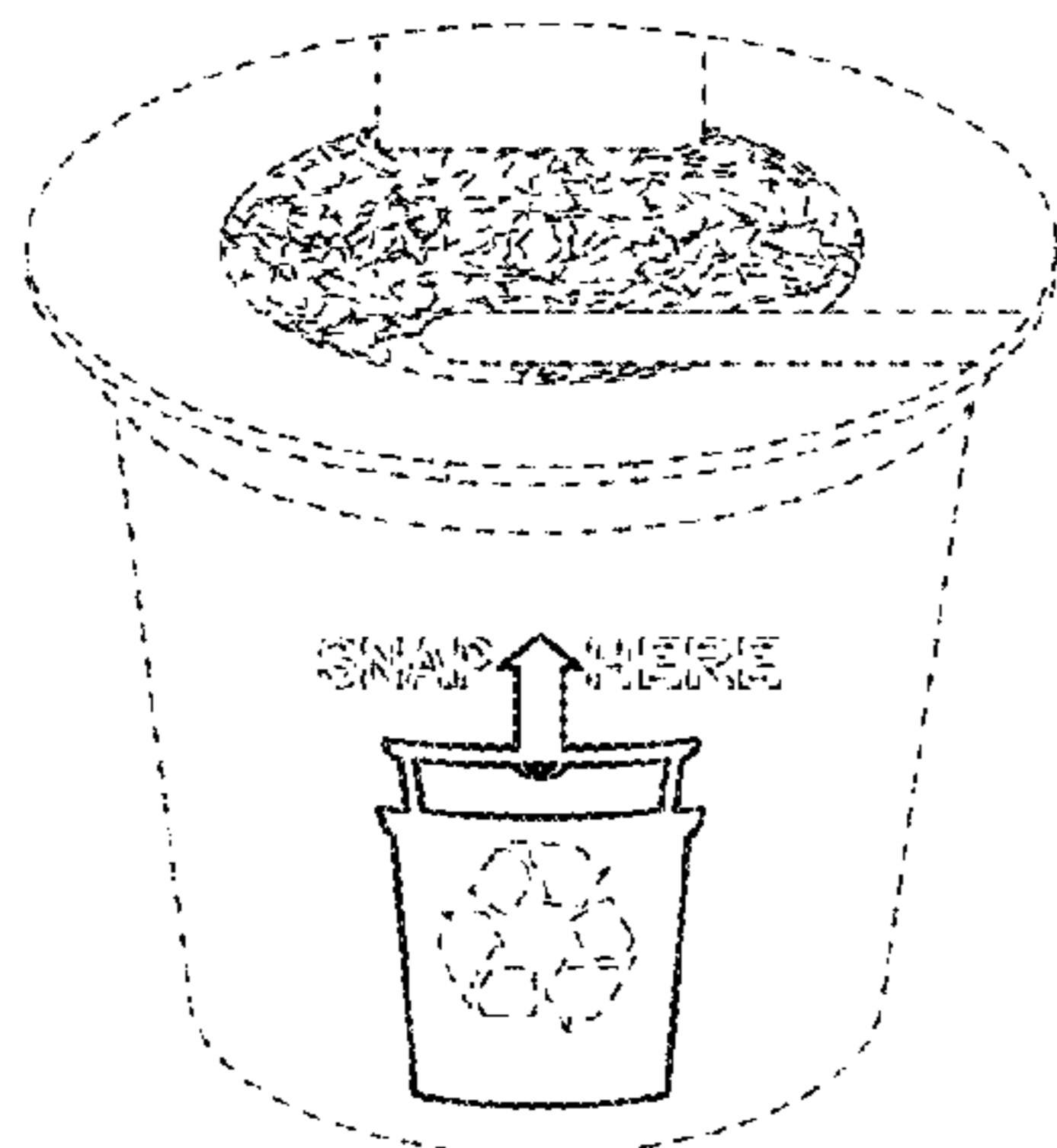
The ornamental design for a capsule with logo, as shown and described.

DESCRIPTION

FIG. 1 is a top perspective view of a capsule with logo showing my new design;
FIG. 2 is a bottom perspective view thereof;
FIG. 3 is a front view thereof;
FIG. 4 is a left side view thereof, the claimed portion visible in the right side view being a mirror image thereof;
FIG. 5 is a rear view thereof;
FIG. 6 is a top view thereof; and,
FIG. 7 is a bottom view thereof.

The dashed broken lines represent elements of the capsule and environment that form no part of the claimed design. The shorter dashed broken lines represent a perforation that forms no part of the claimed design.

1 Claim, 2 Drawing Sheets



(56)

References Cited

U.S. PATENT DOCUMENTS

D263,447 S 3/1982 Brown
 D280,075 S * 8/1985 Haag, Sr. D9/428
 D280,076 S * 8/1985 Haag, Sr. D9/428
 D312,400 S 11/1990 Schwaikert
 D321,477 S 11/1991 Gunter
 D334,113 S 3/1993 Lewis et al.
 D416,796 S * 11/1999 Smith D7/629
 6,237,777 B1 5/2001 Bierly
 D445,674 S 7/2001 Pritchett
 D452,433 S 12/2001 Lazaris
 D452,434 S 12/2001 Sweeney
 D467,800 S * 12/2002 Chen D9/428
 D473,788 S 4/2003 Chen et al.
 D474,110 S 5/2003 Sweeney
 D474,111 S 5/2003 Lazaris
 D501,368 S 2/2005 Roth et al.
 D502,362 S 3/2005 Lazaris et al.
 D536,579 S 2/2007 Roth et al.
 D568,156 S 5/2008 Wilson et al.
 D572,133 S 7/2008 Wilson et al.
 D577,253 S 9/2008 Bodum
 D577,288 S 9/2008 Wilson et al.
 D589,792 S * 4/2009 Clabough D9/434
 D606,363 S * 12/2009 Aardenburg D7/400
 D611,495 S * 3/2010 Choi D14/491
 D632,563 S * 2/2011 Sitabkhan D9/435
 D637,484 S 5/2011 Winkler
 D642,454 S 8/2011 Santoiemmo
 D642,455 S 8/2011 Santoiemmo
 D646,968 S 10/2011 Ortiz et al.
 D647,398 S 10/2011 Winkler
 D647,399 S 10/2011 Winkler
 D652,266 S * 1/2012 Smyers D7/630
 D656,009 S 3/2012 Ortiz et al.
 D656,010 S 3/2012 Ortiz et al.
 D658,493 S * 5/2012 Cometto D9/424
 D671,831 S 12/2012 Moreau
 D686,916 S * 7/2013 O'Brien D9/429
 D687,297 S * 8/2013 O'Brien D9/429
 D698,649 S * 2/2014 Quint D7/400
 D700,839 S * 3/2014 O'Brien D9/429
 D707,713 S * 6/2014 d'Amore D14/492
 D715,649 S * 10/2014 O'Brien D9/500
 D726,537 S * 4/2015 Trombetta D9/454
 D730,174 S * 5/2015 O'Brien D9/429
 D731,884 S * 6/2015 Trombetta D9/428
 D731,890 S * 6/2015 Trombetta D9/428
 D732,390 S * 6/2015 Trombetta D9/428
 D732,949 S * 6/2015 Schroeder D9/416
 D736,621 S * 8/2015 Ivancic D9/436
 D753,491 S * 4/2016 Trombetta D9/503
 2008/0250681 A1 * 10/2008 Jackson G06Q 30/06
 40/299.01
 2009/0200301 A1 * 8/2009 Beekman B65D 81/3216
 220/4.27
 2010/0288131 A1 * 11/2010 Kilber B65D 85/8043
 99/295
 2011/0183048 A1 * 7/2011 Noble A23F 5/32
 426/122
 2012/0097602 A1 * 4/2012 Tedford B65D 65/466
 210/500.1
 2014/0120217 A1 * 5/2014 O'Brien B65D 85/8043
 426/115

2014/0120218 A1 * 5/2014 O'Brien B65D 85/8043
 426/115
 2014/0161936 A1 * 6/2014 Trombetta B65D 85/8046
 426/77
 2014/0308406 A1 * 10/2014 O'Brien C08K 3/34
 426/115
 2014/0377413 A1 * 12/2014 Liu B65D 85/8043
 426/115
 2015/0150409 A1 * 6/2015 Cross B65D 85/8043
 426/112

FOREIGN PATENT DOCUMENTS

CN	3102741	2/1999
CN	3103590	2/1999
CN	3336639	11/2003
CN	3336640	11/2003
CN	3336646	11/2003
CN	3340286	12/2003
CN	3386161	8/2004
CN	3429241	3/2005
CN	3442199	4/2005
CN	3442205	4/2005
CN	3448912	5/2005
CN	3448913	5/2005
CN	3469773	8/2005
CN	3570660	10/2006
CN	3597250	1/2007
CN	3614944	2/2007
CN	300707939	11/2007
CN	300707940	11/2007
CN	300707941	11/2007
CN	300707942	11/2007
CN	300710086	11/2007
CN	300710087	11/2007
CN	300710088	11/2007
CN	300710089	11/2007
CN	300815220	8/2008
CN	300833940	10/2008
CN	300843246	10/2008
CN	301347136	9/2010
CN	301437314	1/2011
CN	301505145	4/2011
CN	302041529	8/2012
CN	302141646	10/2012
CN	302141791	10/2012
CN	302297349	1/2013
CN	302370417	3/2013
CN	302439912	5/2013
KR	300341422.0000	12/2006

OTHER PUBLICATIONS

U.S. Appl. No. 29/464,380, titled "Capsule," filed Aug. 15, 2013.
 U.S. Appl. No. 29/464,384, titled "Capsule," filed Aug. 15, 2013.
 U.S. Appl. No. 29/464,393, titled "Capsule," filed Aug. 15, 2013.
 U.S. Appl. No. 29/464,395, titled "Capsule," filed Aug. 15, 2013.
 U.S. Appl. No. 29/464,399, titled "Capsule," filed Aug. 15, 2013.
 U.S. Appl. No. 29/464,397, titled "Capsule," filed Aug. 15, 2013.
 U.S. Appl. No. 29/485,747, titled "Capsule," filed Mar. 21, 2014.
 U.S. Appl. No. 29/485,783, titled "Capsule," filed Mar. 21, 2014.

* cited by examiner

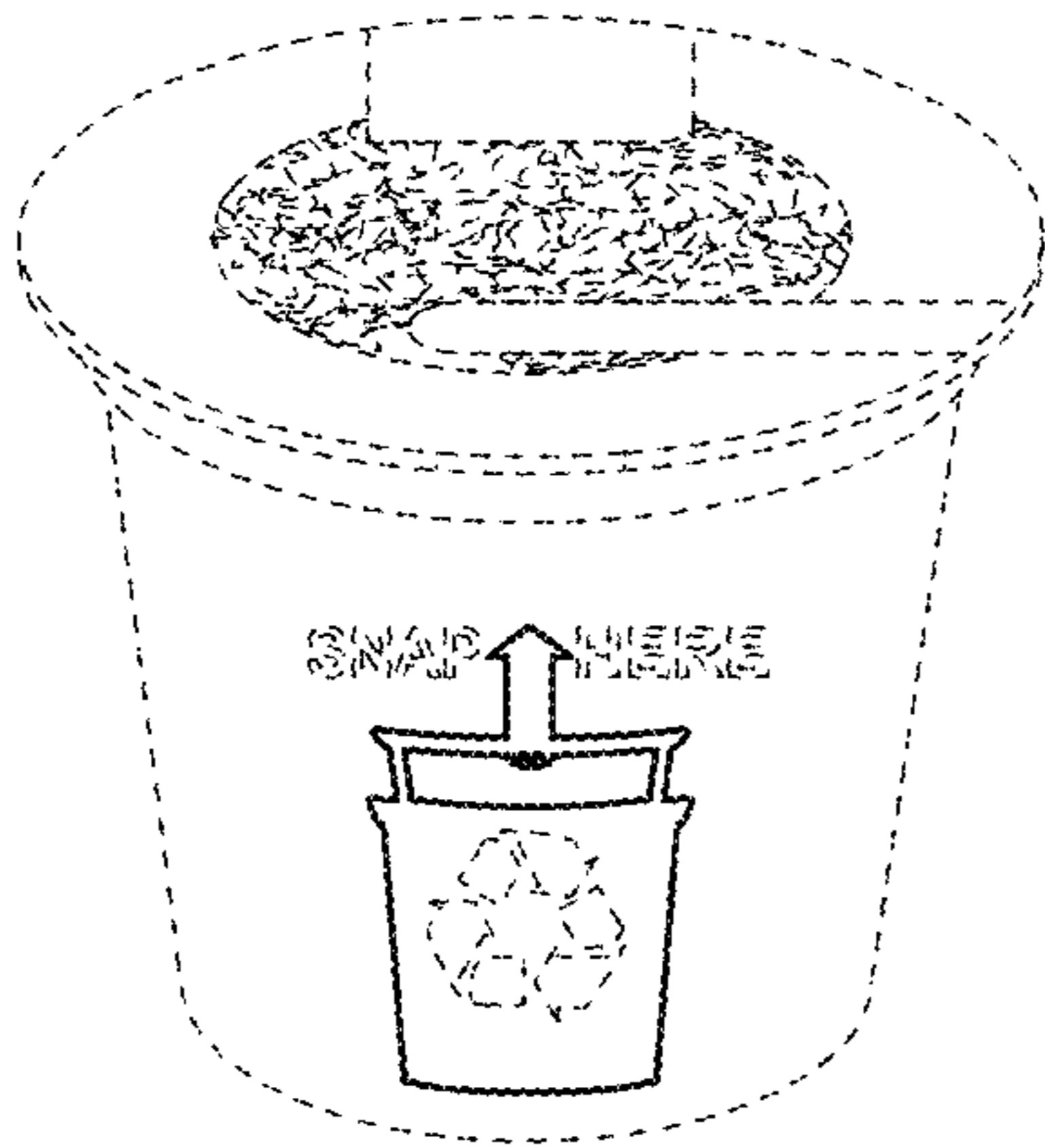


FIG. 1

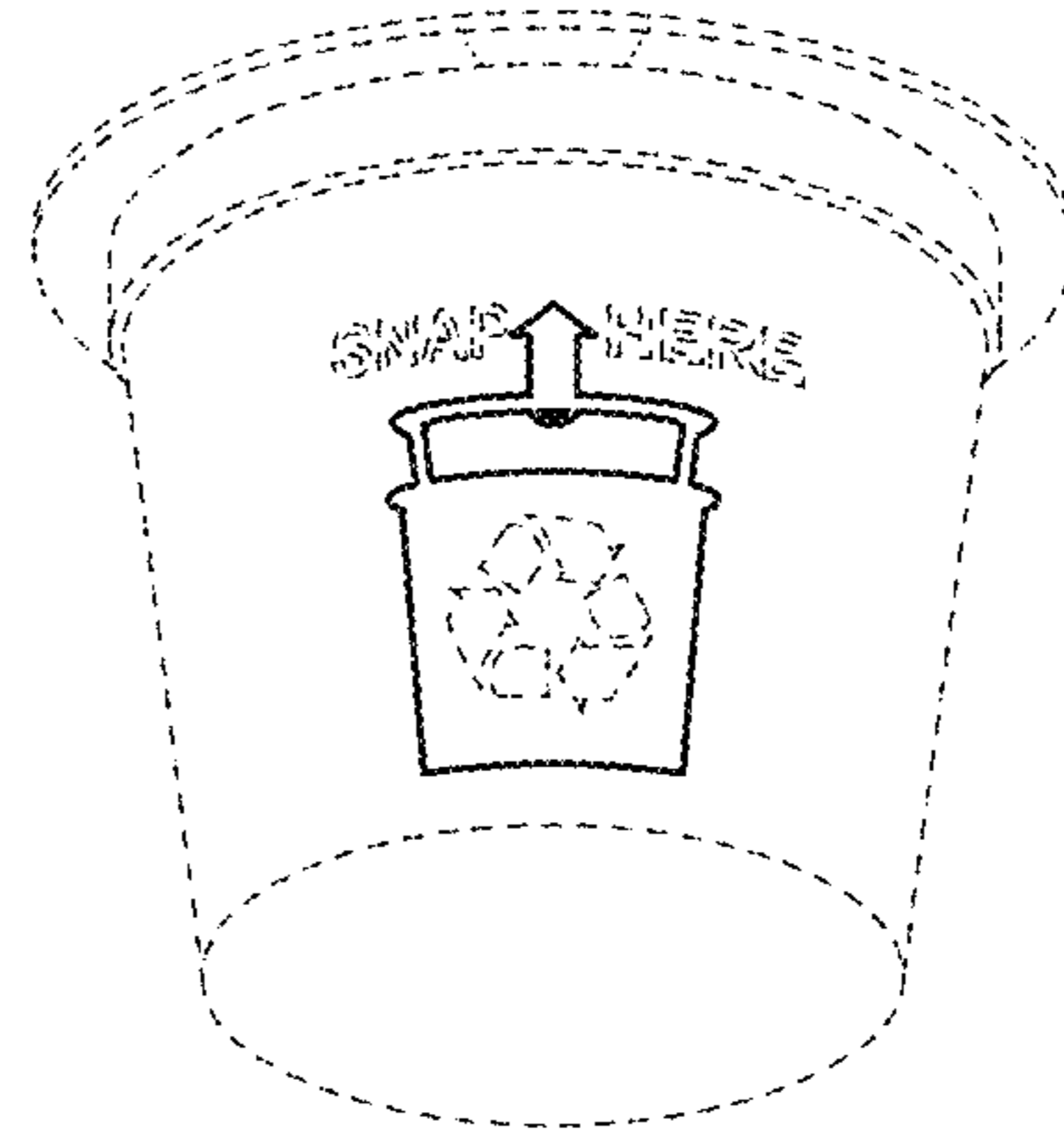


FIG. 2

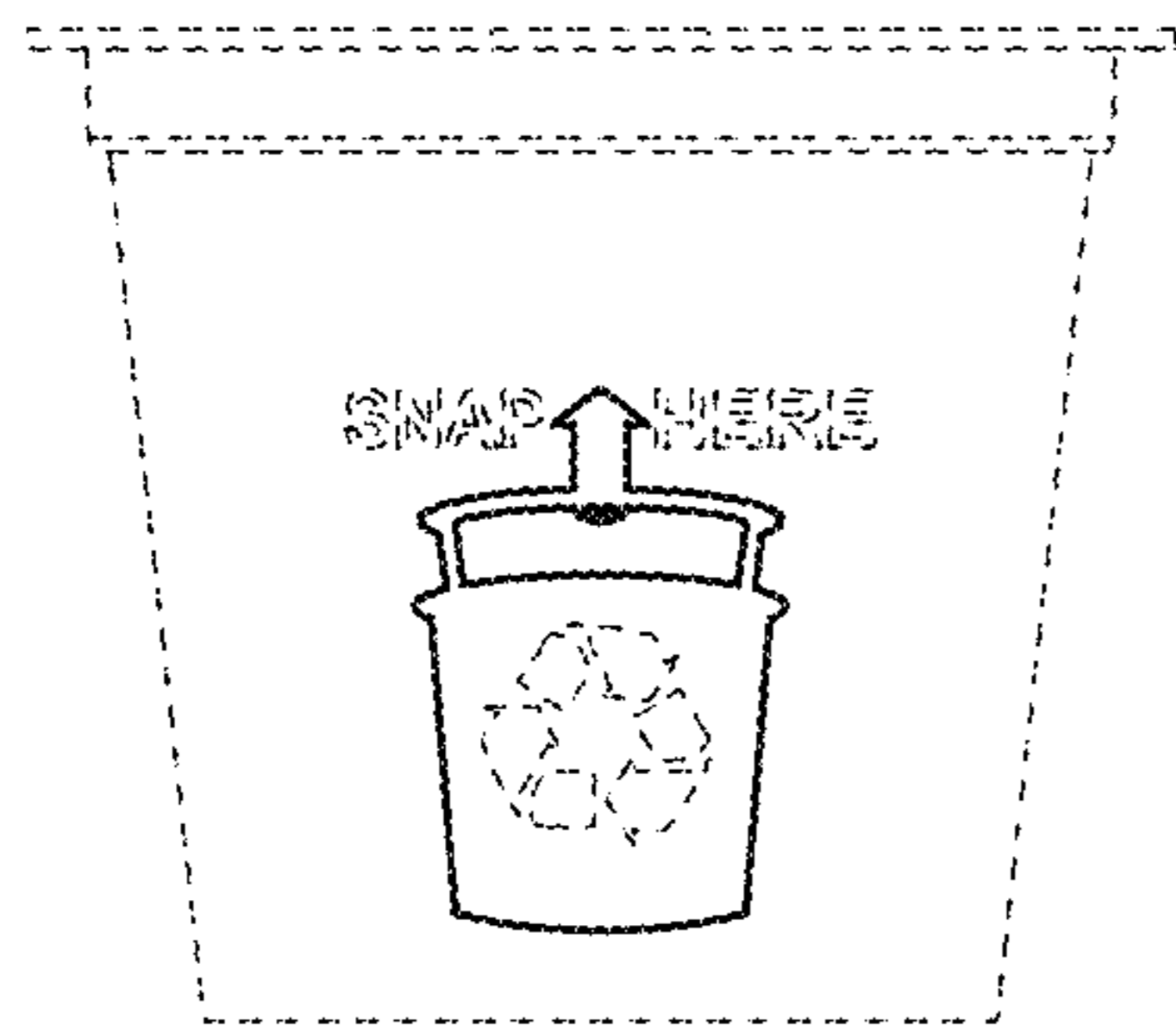


FIG. 3

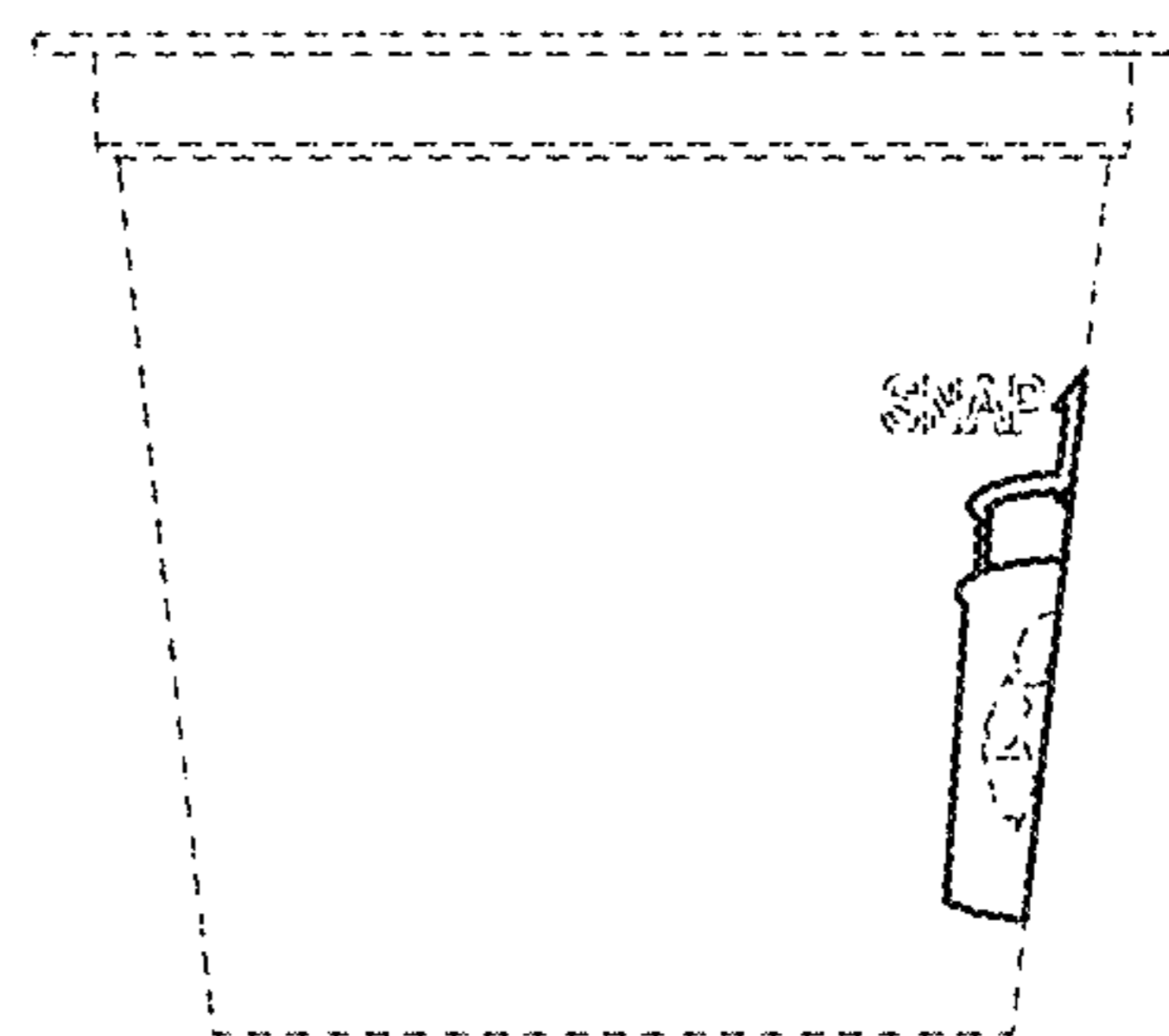


FIG. 4

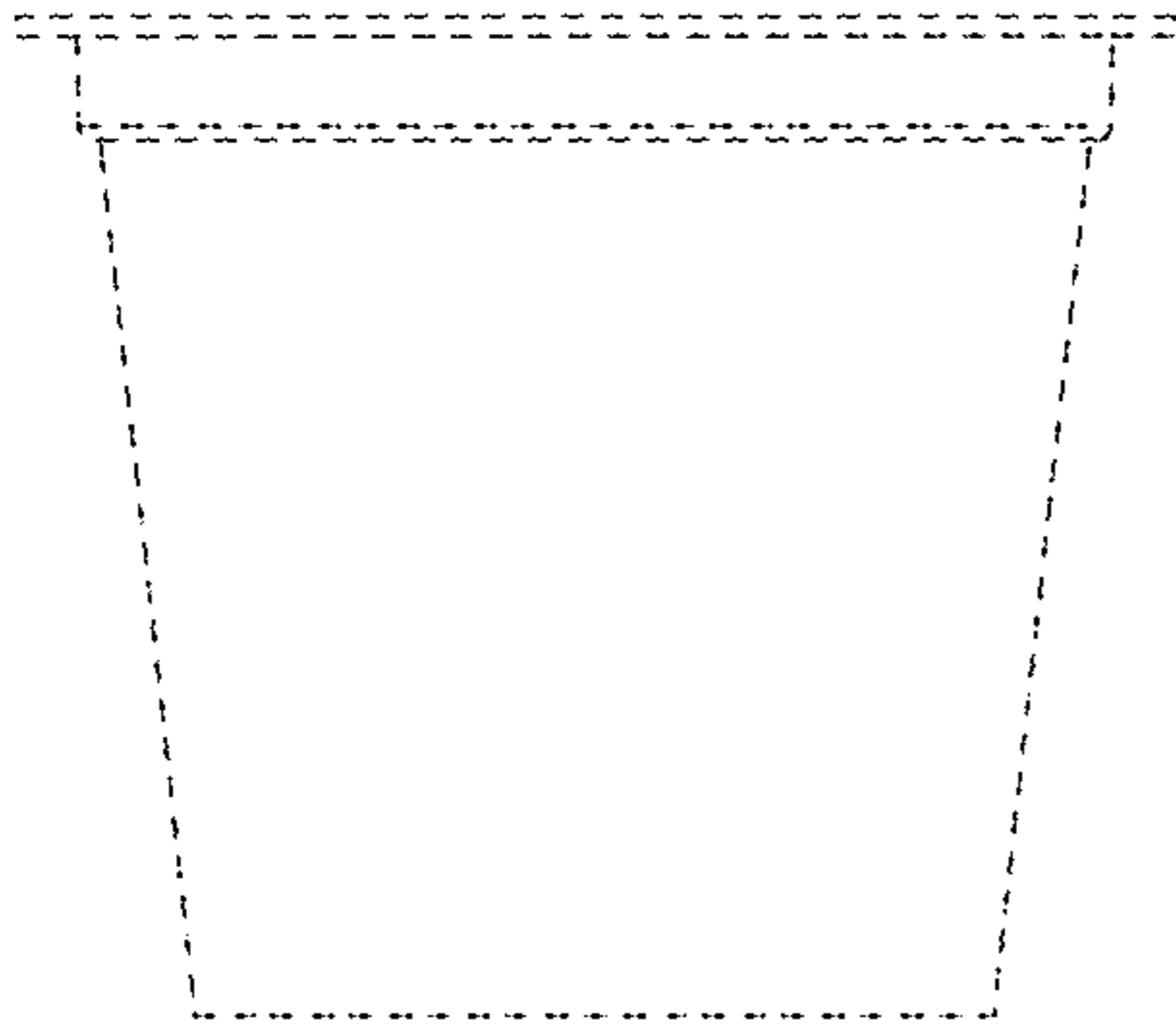


FIG. 5

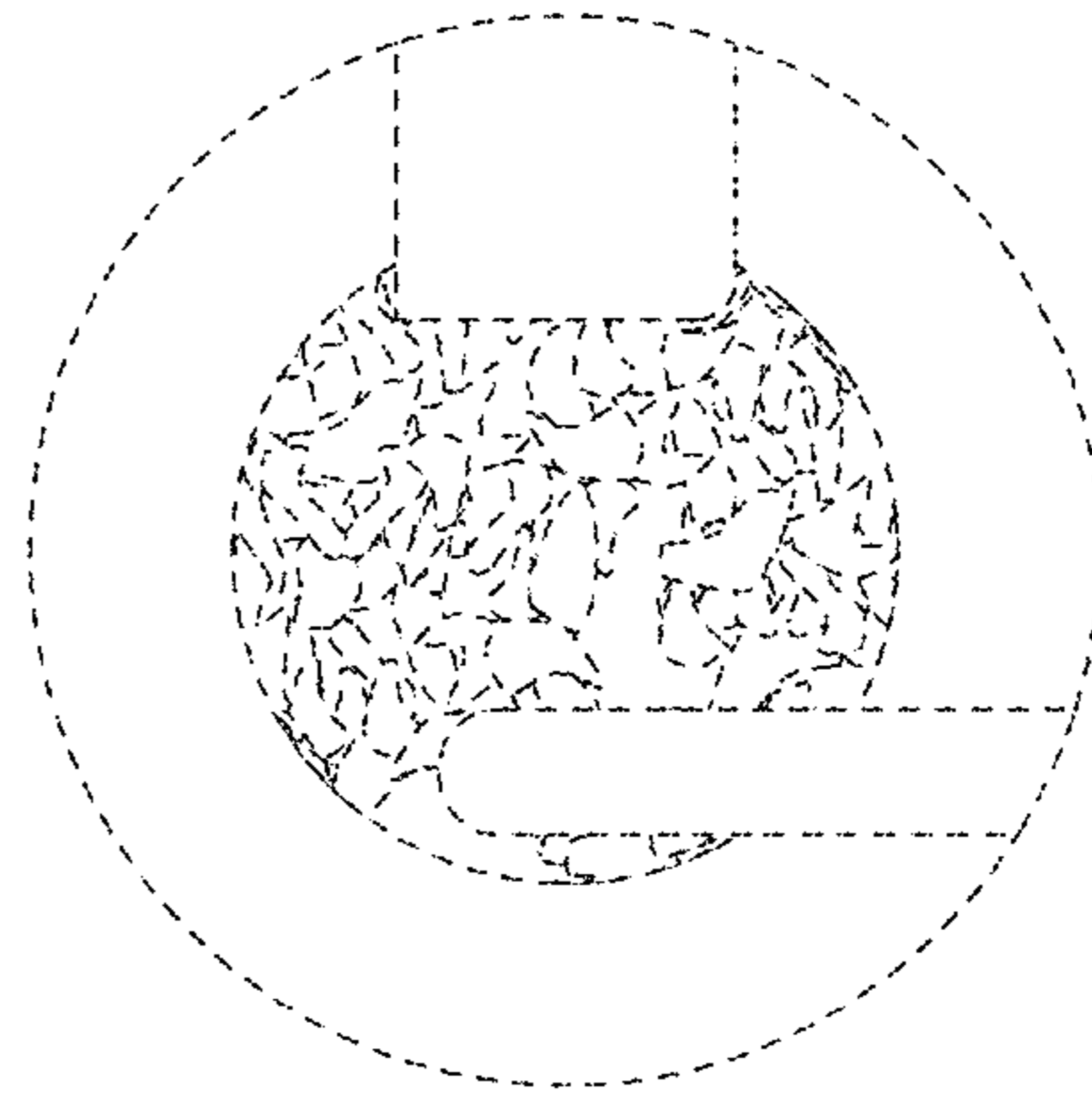


FIG. 6

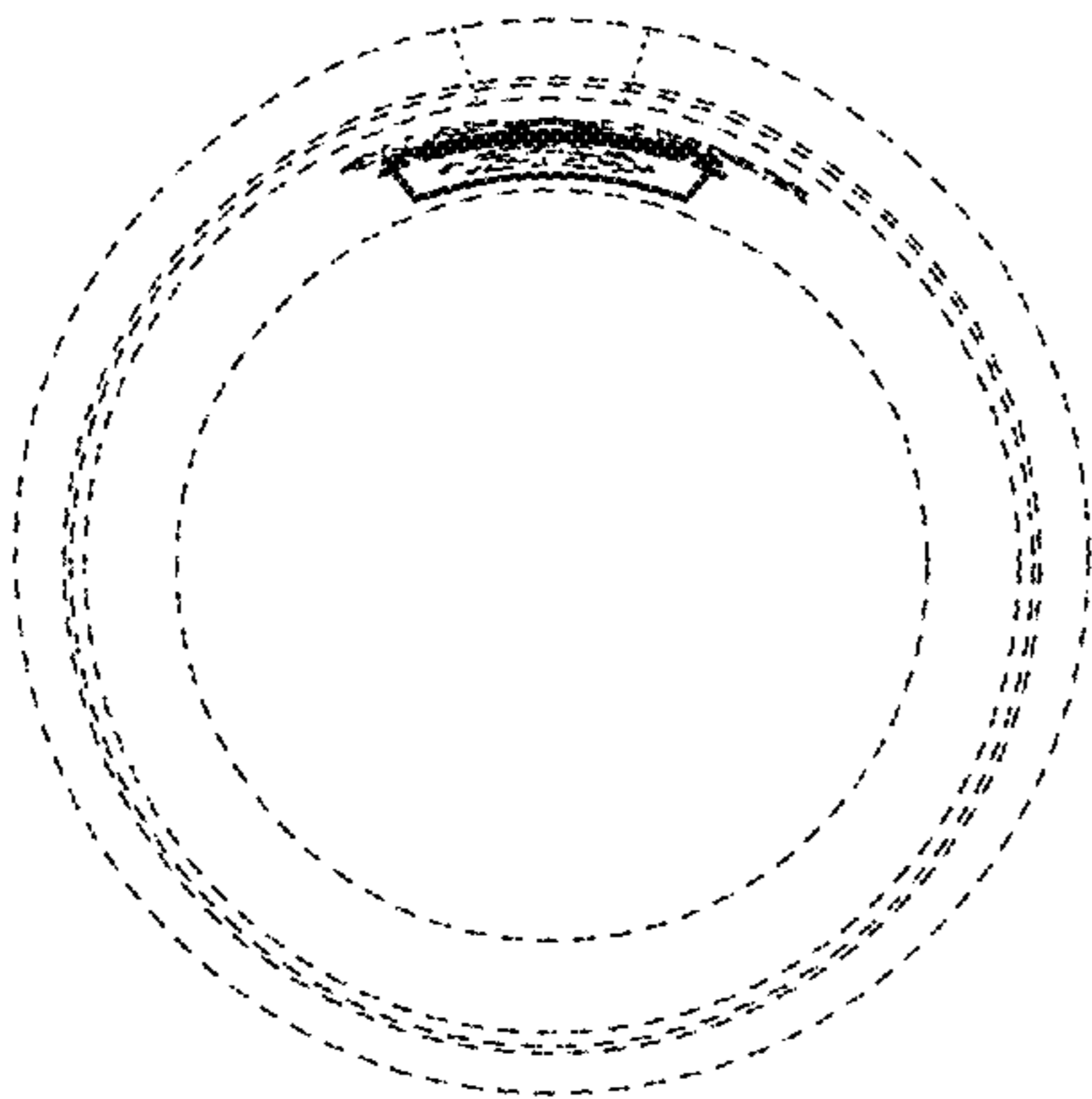


FIG. 7