



US00D769721S

(12) **United States Design Patent**  
**Zahr et al.**

(10) **Patent No.:** **US D769,721 S**

(45) **Date of Patent:** **\*\* Oct. 25, 2016**

(54) **E-LIQUID BOTTLE**

(71) Applicant: **RETRO BRANDS, LLC**, Foothill Ranch, CA (US)

(72) Inventors: **Rabih Zahr**, Foothill Ranch, CA (US); **Shady Makarem**, Foothill Ranch, CA (US); **Nedal Makarem**, Foothill Ranch, CA (US)

(73) Assignee: **Retro Brands, LLC**, Foothill Ranch, CA (US)

(\*\*) Term: **15 Years**

(21) Appl. No.: **29/561,741**

(22) Filed: **Apr. 19, 2016**

**Related U.S. Application Data**

(62) Division of application No. 29/477,434, filed on Dec. 20, 2013.

(51) **LOC (10) Cl.** ..... **09-01**

(52) **U.S. Cl.**

USPC ..... **D9/523**; D27/186; D27/189

(58) **Field of Classification Search**

USPC ..... D27/100, 139, 141-143, 146-148, D27/150-161, 172, 183, 186-187, 189-191, D27/194; 431/153; D9/529, 517, 417, 420, D9/421, 523; 131/329

CPC ..... F23D 11/36; B65D 51/18

See application file for complete search history.

(56) **References Cited**

**U.S. PATENT DOCUMENTS**

228,598 A 6/1880 Buckley  
523,254 A 7/1894 Winkley  
630,277 A 8/1899 Weitling  
657,267 A 9/1900 Epstein  
697,601 A 4/1902 Biren  
744,074 A 11/1903 Hiering

1,032,326 A 7/1912 Erichsen  
1,093,481 A 4/1914 Savage  
1,188,067 A 6/1916 Greer  
2,064,584 A 12/1936 Aronson  
D134,173 S 10/1942 Kanter  
2,509,462 A 5/1950 Vogel  
2,557,048 A 6/1951 Haase  
2,672,141 A 3/1954 Filger  
2,675,146 A 4/1954 Russell  
2,906,439 A 9/1959 Santuci, Sr.  
D168,121 S 10/1963 Rachel  
D196,934 S 11/1963 Grushon  
D205,085 S 6/1966 Goessling

(Continued)

**OTHER PUBLICATIONS**

PCT/US2014/070117; International Search Report and Written Opinion of the ISA mailed May 19, 2015; 7 pages.

*Primary Examiner* — Susan Bennett Hattan

*Assistant Examiner* — Janice Hallmark

(74) *Attorney, Agent, or Firm* — Hankin Patent Law APC; Jimmy Sauz; Kevin Schraven

(57)

**CLAIM**

The ornamental design for an e-liquid bottle, as shown and described.

**DESCRIPTION**

FIG. 1 is a top perspective view of an e-liquid bottle, showing our new design.

FIG. 2 is a bottom perspective view thereof.

FIG. 3 is a front elevational view thereof.

FIG. 4 is a rear elevational view thereof.

FIG. 5 is a left side elevational view thereof.

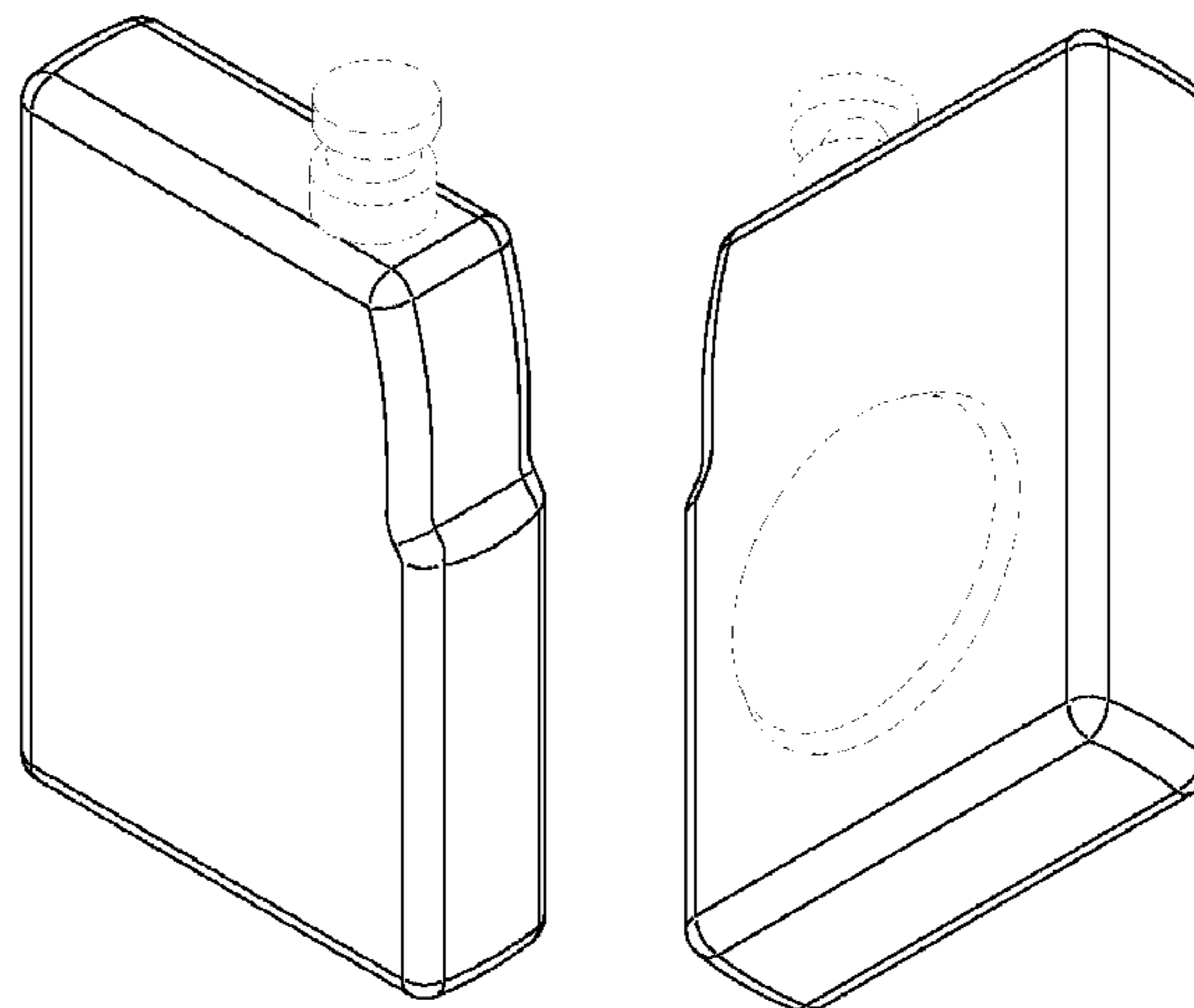
FIG. 6 is a right side elevational view thereof.

FIG. 7 is a top plan view thereof; and,

FIG. 8 is a bottom plan view thereof.

The broken lines in the drawings depict parts of the e-liquid bottle that form no part of the claimed design.

**1 Claim, 3 Drawing Sheets**



(56)

References Cited

U.S. PATENT DOCUMENTS

3,325,031 A 6/1967 Singier  
 3,341,083 A 9/1967 Stewart  
 3,412,907 A 11/1968 Faso  
 D218,281 S 8/1970 Diener  
 3,548,446 A 12/1970 Hocq  
 D228,037 S 7/1973 Nood  
 D228,039 S 7/1973 Wood  
 D229,519 S 12/1973 Wood  
 3,926,347 A 12/1975 Crist et al.  
 D249,870 S 10/1978 Tillander  
 4,168,032 A 9/1979 Sneider  
 4,563,104 A 1/1986 Saint-Amand  
 4,779,768 A 10/1988 St. Amand  
 4,787,536 A 11/1988 Widerstrom  
 4,930,668 A 6/1990 Krall  
 D316,972 S \* 5/1991 Law ..... D9/448  
 5,048,727 A 9/1991 Vlasich  
 D326,339 S 5/1992 Sherman  
 D328,431 S 8/1992 Skidmore  
 D338,336 S 8/1993 Grant  
 5,337,924 A 8/1994 Dickie  
 5,348,194 A 9/1994 Mascitelli  
 5,649,648 A 7/1997 Lier  
 5,673,822 A 10/1997 Chalmin  
 5,784,087 A 7/1998 Wallace  
 5,791,525 A 8/1998 Fan  
 5,927,548 A 7/1999 Villaveces  
 5,950,848 A 9/1999 Baudin  
 6,062,437 A 5/2000 Mascitelli  
 6,142,333 A 11/2000 Sasamoto  
 6,142,344 A 11/2000 Kai  
 6,240,930 B1 6/2001 Yuhara  
 6,296,151 B1 10/2001 Chen  
 D462,139 S 8/2002 Sagmeister  
 6,460,781 B1 10/2002 Garcia  
 6,520,367 B1 2/2003 Piroch  
 6,561,391 B1 5/2003 Baker  
 D499,019 S 11/2004 Sagmeister  
 6,860,387 B2 3/2005 Chang  
 7,100,806 B2 9/2006 Schuster  
 7,121,432 B2 10/2006 Kostal  
 D554,510 S 11/2007 Dorn  
 D567,646 S 4/2008 Ballard  
 D571,216 S 6/2008 Christian  
 D578,302 S 10/2008 Arvidsson  
 D586,656 S 2/2009 Mount  
 7,651,009 B2 1/2010 Grant  
 D613,609 S 4/2010 Pok  
 D618,391 S 6/2010 Moore  
 D622,901 S 8/2010 Smith  
 8,038,034 B2 10/2011 Pelfrey  
 D653,391 S 1/2012 Chuan  
 8,092,434 B2 1/2012 Harlan

D668,140 S 10/2012 Collins  
 D668,533 S 10/2012 Collins  
 D668,535 S 10/2012 Collins  
 8,336,790 B2 12/2012 Kolins  
 8,474,638 B2 7/2013 Pedmo  
 8,646,658 B2 2/2014 Bae  
 8,833,616 B2 9/2014 Lin  
 D723,373 S 3/2015 Wahl  
 D732,394 S 6/2015 DeMarco  
 9,089,166 B1 7/2015 Scatterday  
 D736,455 S 8/2015 Liu  
 D738,570 S 9/2015 VanNostran  
 D752,282 S \* 3/2016 Doster ..... D27/189  
 D752,283 S \* 3/2016 Doster ..... D27/189  
 D752,286 S \* 3/2016 Doster ..... D27/189  
 2002/0036207 A1 3/2002 Ohuo  
 2003/0006309 A1 1/2003 Duqueroie  
 2003/0010844 A1 1/2003 Duqueroie  
 2003/0136783 A1 7/2003 Hatsumoto  
 2004/0149778 A1 8/2004 Altonen  
 2005/0211241 A1 9/2005 Anderson et al.  
 2006/0151535 A1 7/2006 Duquet  
 2007/0023453 A1 2/2007 Simkins  
 2007/0045358 A1 3/2007 Arancibia  
 2007/0102389 A1 5/2007 Hoepner  
 2007/0102390 A1 5/2007 Hoepner  
 2007/0102391 A1 5/2007 Hoepner  
 2007/0151993 A1 7/2007 Yelland  
 2007/0175931 A1 8/2007 Leoncavallo  
 2007/0228042 A1 10/2007 Yeager  
 2007/0267444 A1 11/2007 de Buzzaccarini  
 2007/0270325 A1 11/2007 de Buzzaccarini  
 2008/0015135 A1 1/2008 de Buzzaccarini  
 2008/0029548 A1 2/2008 De Wree  
 2008/0032909 A1 2/2008 de Buzzaccarini  
 2009/0114617 A1 5/2009 Inomata  
 2009/0188214 A1 7/2009 Vohnout-Marle  
 2010/0051496 A1 3/2010 Watson  
 2010/0127012 A1 5/2010 Takeuchi  
 2010/0140283 A1 6/2010 Brozell  
 2010/0282779 A1 11/2010 Ramsey  
 2010/0327009 A1 12/2010 Hofte  
 2011/0011886 A1 1/2011 Zaima  
 2011/0082409 A1 4/2011 Reishus  
 2012/0114819 A1 5/2012 Ragnarsson et al.  
 2012/0167906 A1 7/2012 Gysland  
 2012/0181283 A1 7/2012 Wahl  
 2012/0227753 A1 9/2012 Newton  
 2012/0267397 A1 10/2012 Inaba  
 2012/0285995 A1 11/2012 Inaba  
 2013/0248385 A1 9/2013 Scatterday  
 2014/0034644 A1 2/2014 Wahl  
 2015/0048088 A1 2/2015 Giraud  
 2016/0081391 A1 3/2016 Zahr

\* cited by examiner

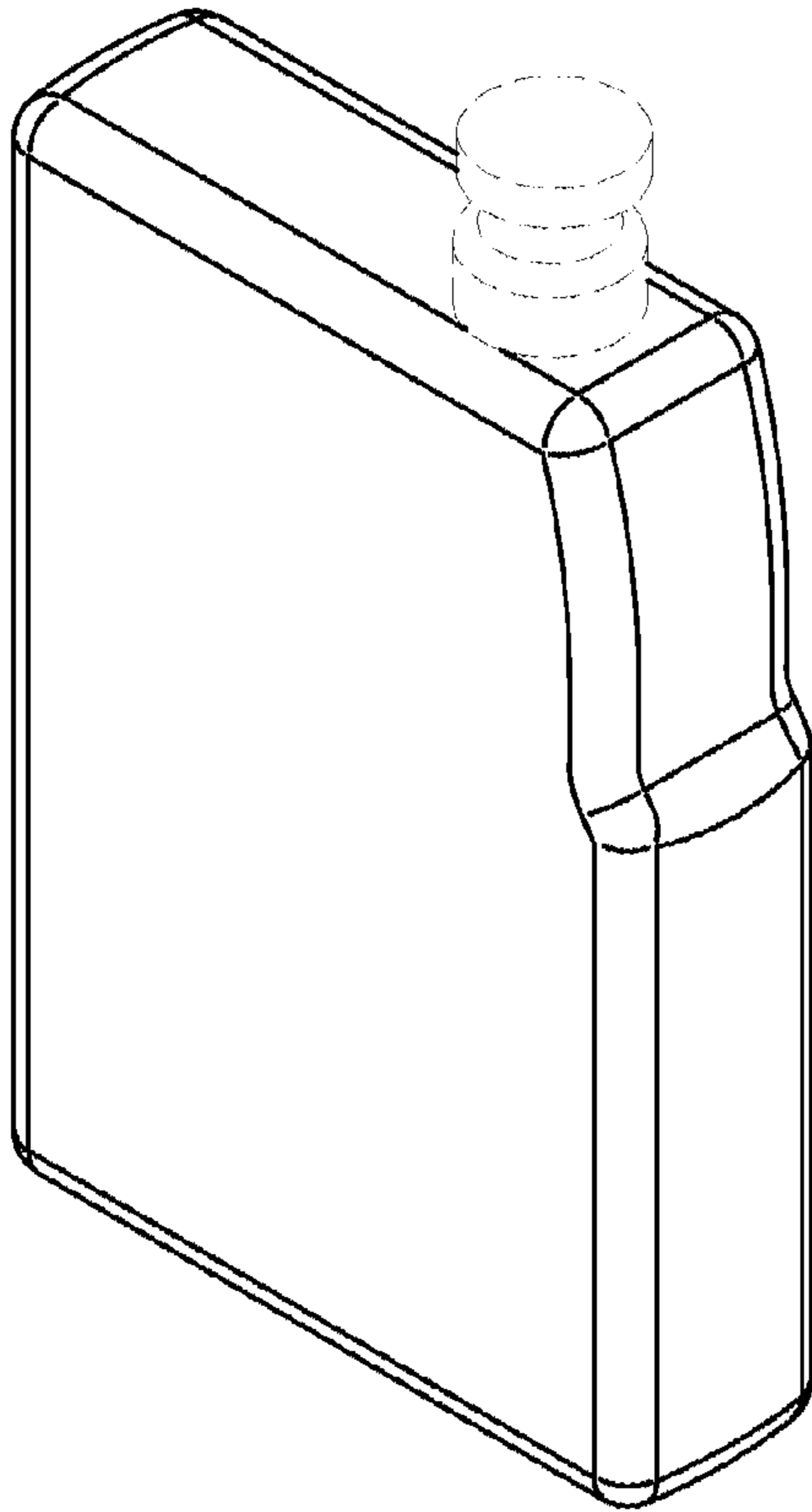


FIG. 1

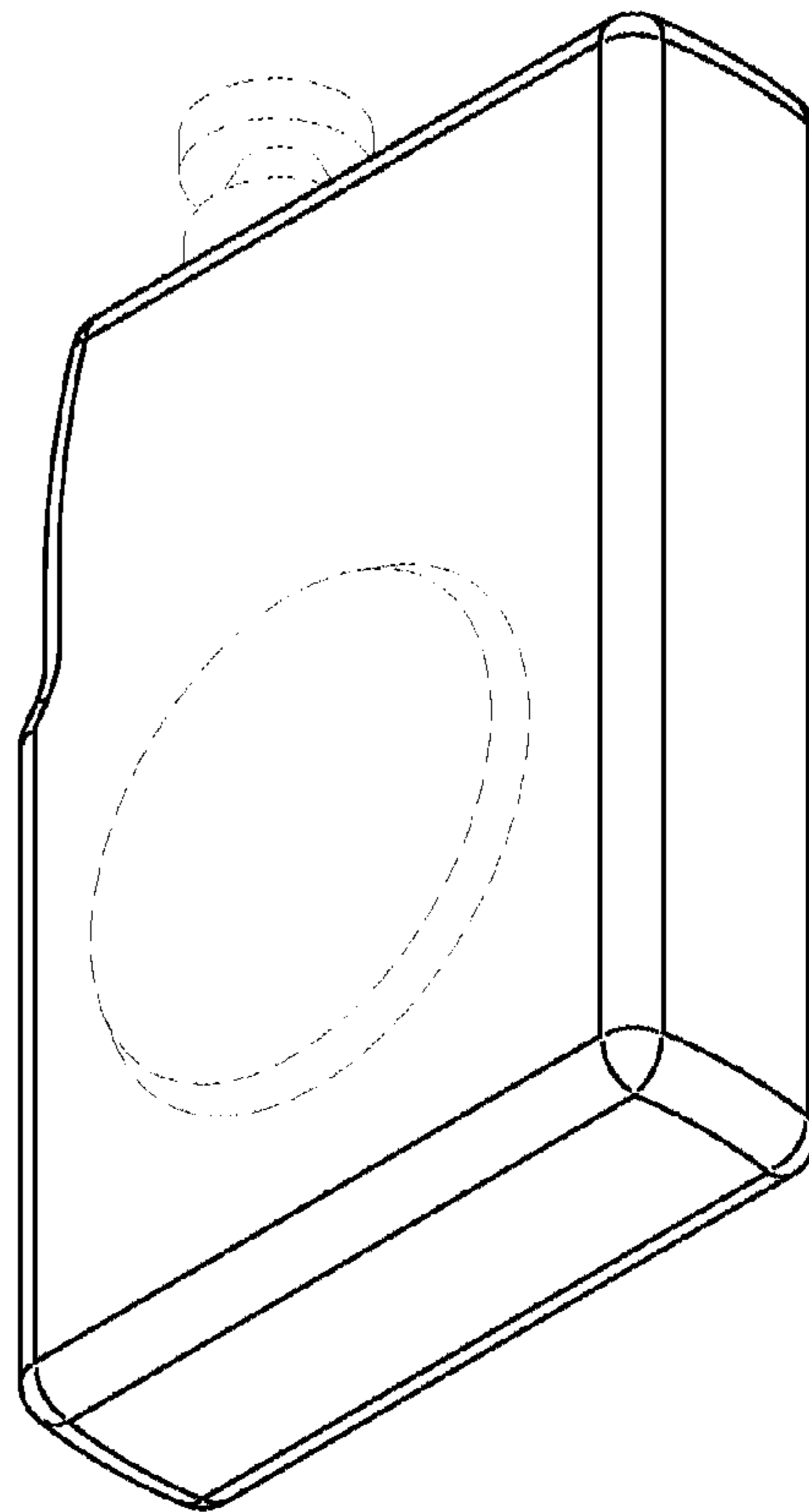


FIG. 2

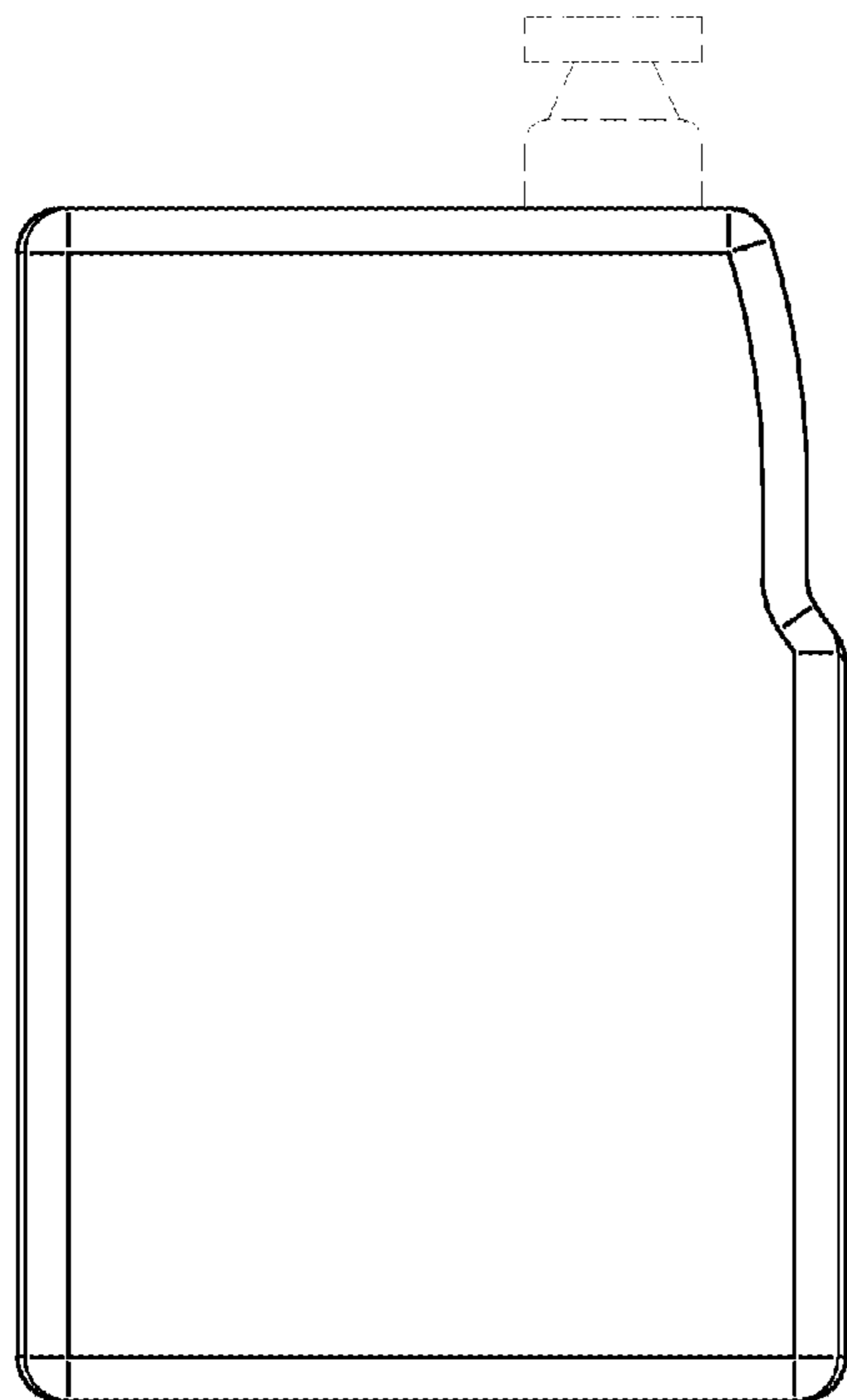


FIG. 3

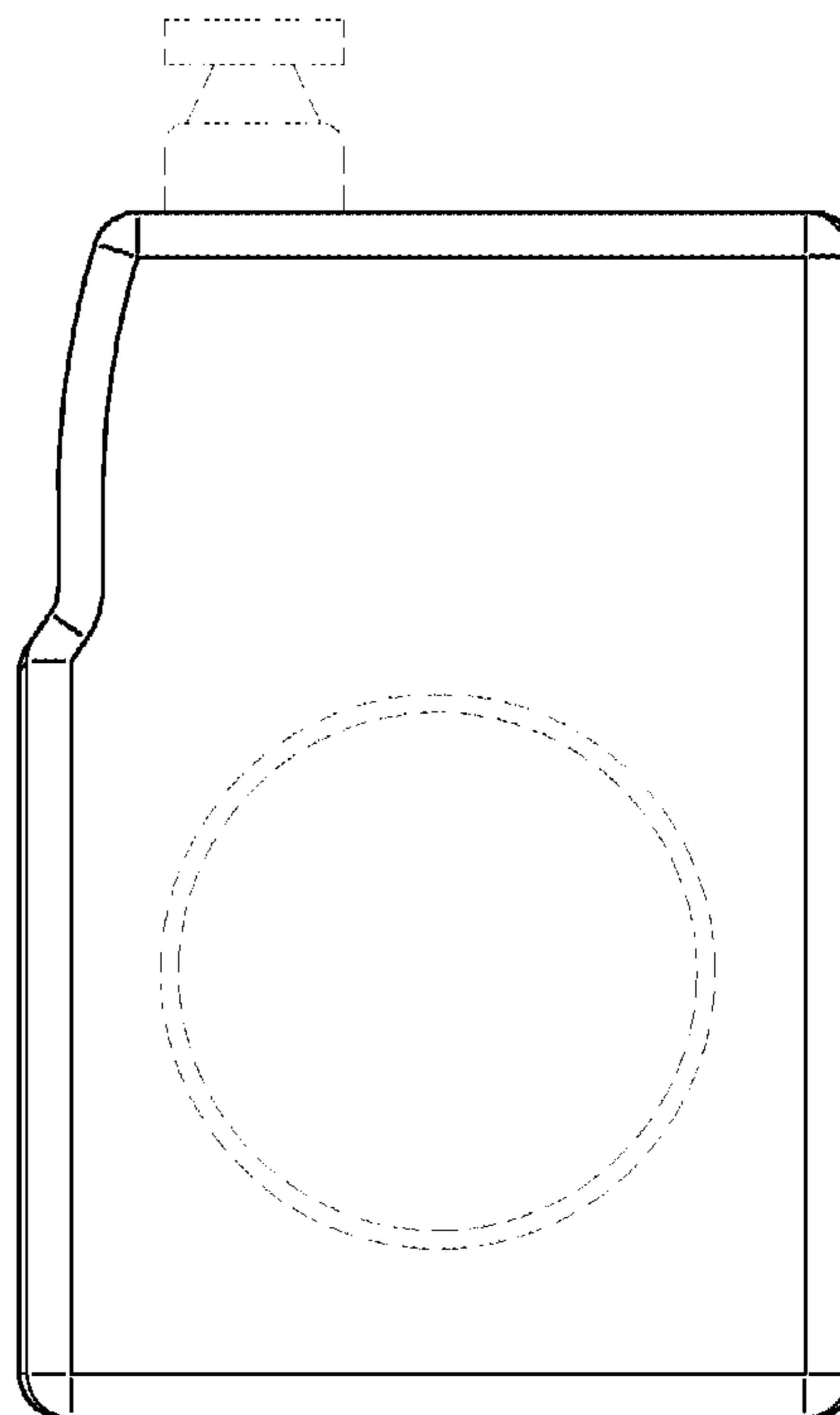


FIG. 4

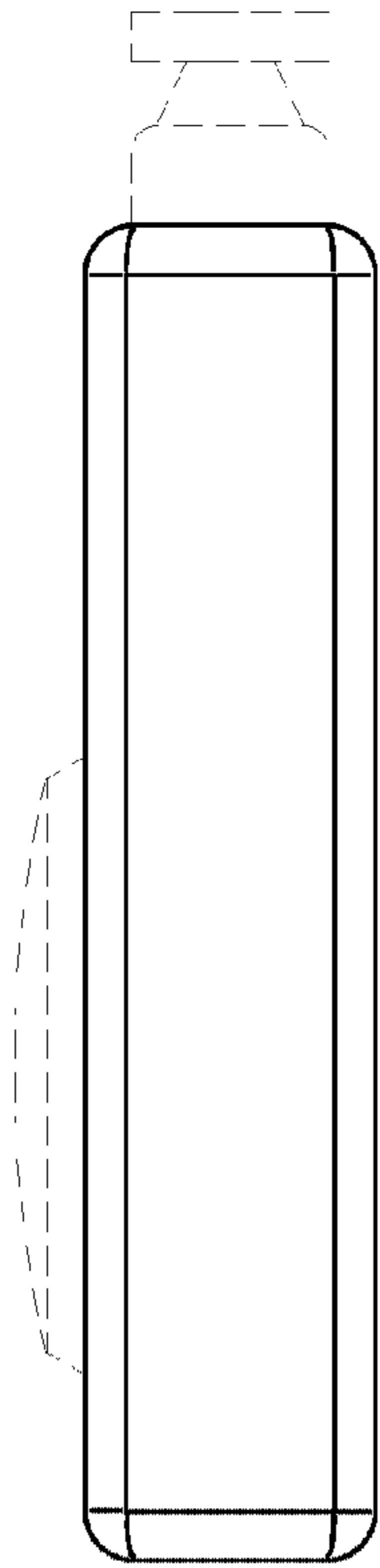


FIG. 5

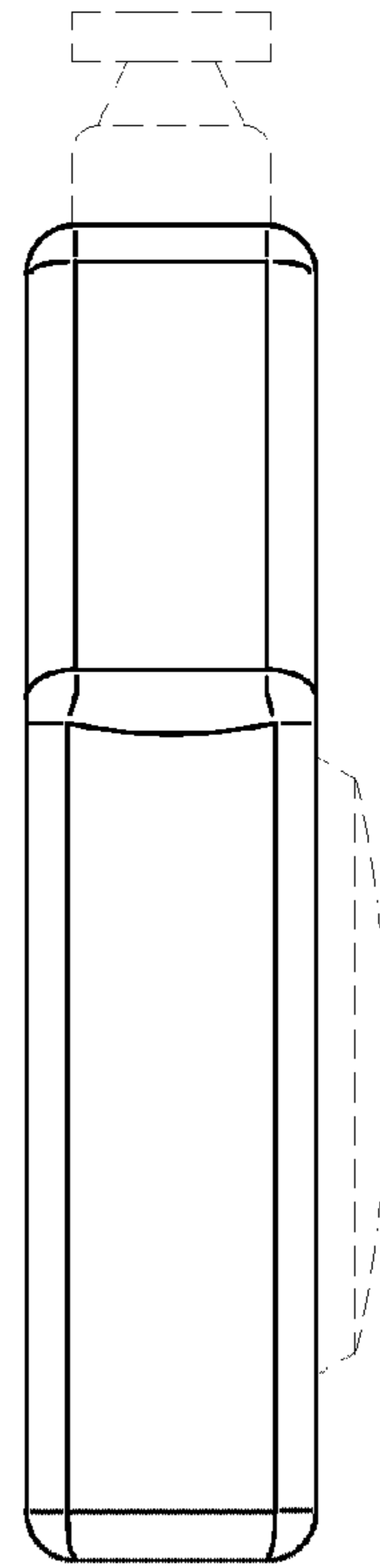


FIG. 6

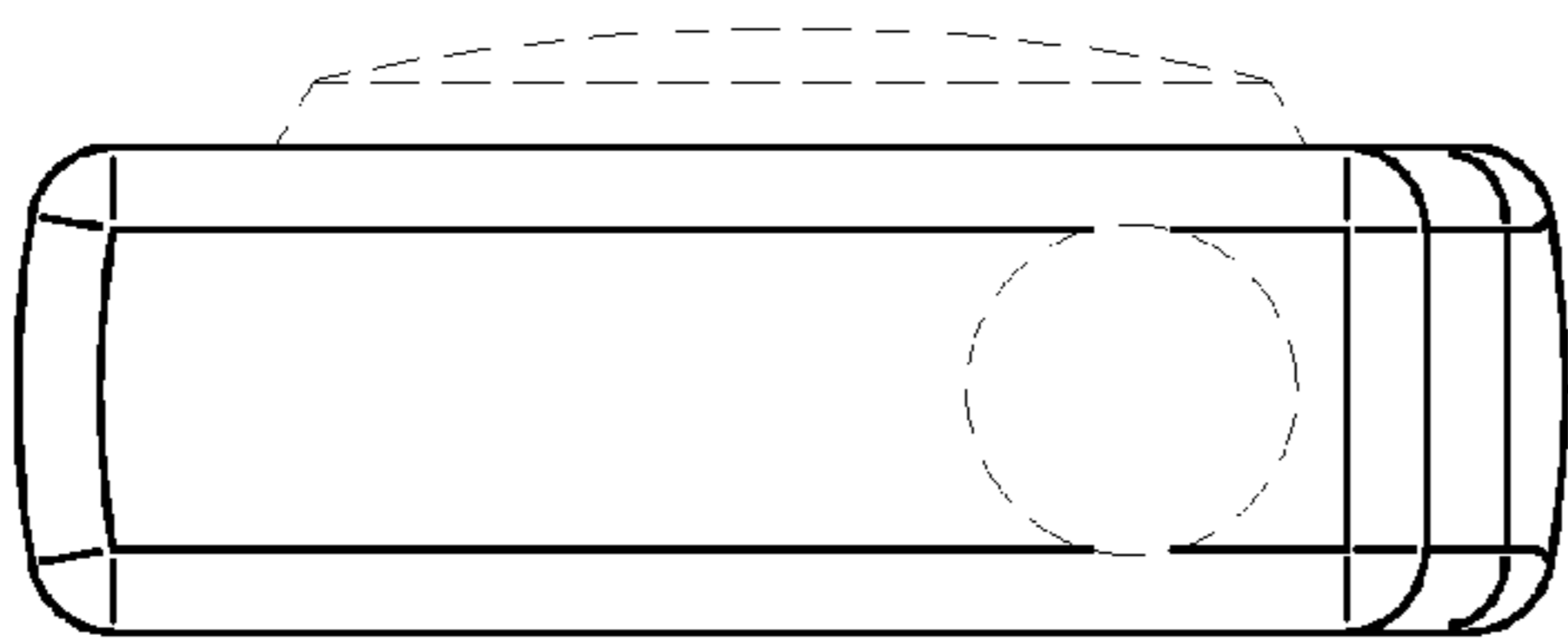


FIG. 7

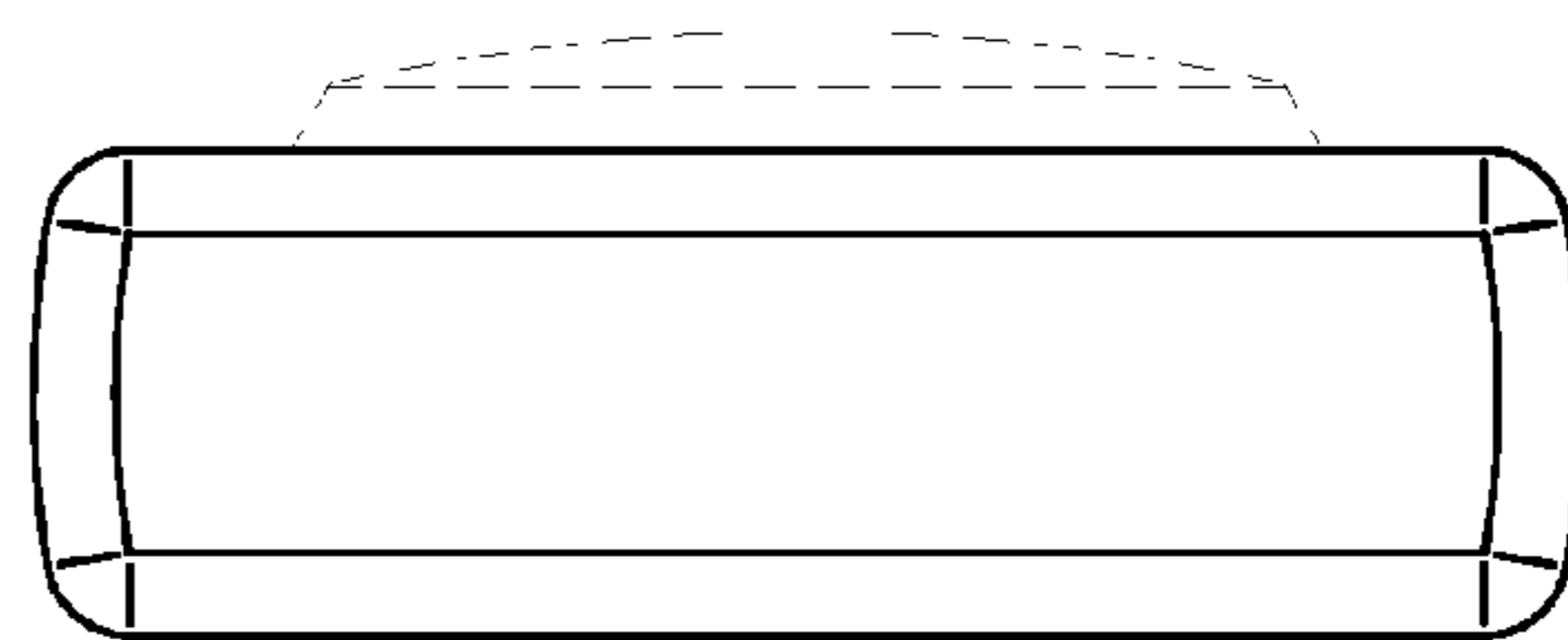


FIG. 8