



US00D769720S

(12) **United States Design Patent** (10) **Patent No.:** **US D769,720 S**  
**Porter et al.** (45) **Date of Patent:** **\*\* Oct. 25, 2016**

- (54) **PREFORM FOR DOSING BOTTLE**
- (71) Applicant: **Silgan Plastics LLC**, Chesterfield, MO (US)
- (72) Inventors: **Randal D. Porter**, Norcross, GA (US); **William J. Peek**, Lawrenceville, GA (US); **Brian J. Benell**, Monroe, GA (US)
- (73) Assignee: **Silgan Plastics LLC**, Chesterfield, MO (US)
- (\*\*) Term: **14 Years**
- (21) Appl. No.: **29/486,790**
- (22) Filed: **Apr. 2, 2014**

3,628,700 A	12/1971	Dodoghue	
D225,526 S	12/1972	Baum et al.	
D229,748 S	1/1974	White	
3,900,120 A	8/1975	Sincock	
D244,554 S	5/1977	Jones et al.	
4,070,140 A	1/1978	Lucas et al.	
4,140,489 A *	2/1979	Lee .....	B01L 3/5082 215/6
4,201,316 A	5/1980	Klingaman	
4,451,426 A	5/1984	Branchadell	
D281,534 S	11/1985	Ushikubo	
D285,115 S	8/1986	Proud et al.	
4,603,831 A	8/1986	Krishnakumar et al.	
D288,662 S	3/1987	Obuchowski	
4,646,925 A	3/1987	Nohara	
4,671,763 A	6/1987	Weiler	
4,715,504 A	12/1987	Chang et al.	
4,818,575 A	4/1989	Hirata et al.	

(Continued)

**Related U.S. Application Data**

- (63) Continuation-in-part of application No. 29/469,616, filed on Oct. 11, 2013, now Pat. No. Des. 705,659, which is a continuation of application No. 29/404,738, filed on Oct. 25, 2011, now Pat. No. Des. 694,111, which is a continuation of application No. 12/003,300, filed on Dec. 21, 2007, now Pat. No. 8,057,733.
- (51) **LOC (10) Cl.** ..... **09-01**
- (52) **U.S. Cl.**  
USPC ..... **D9/516**
- (58) **Field of Classification Search**  
USPC ..... D9/682, 686, 688-692, 516, 500, D9/502-505, 529, 539-540, 542-545, 549, D9/558; 215/379, 381-384; 220/660, 662, 220/669, 675; D7/513, 523; D28/4, 76; D24/117, 121-123, 216, 224  
See application file for complete search history.

(56) **References Cited**

**U.S. PATENT DOCUMENTS**

- 3,347,420 A 10/1967 Donoghue
- 3,581,953 A 6/1971 Donoghue

**OTHER PUBLICATIONS**

U.S. Appl. No. 29/469,616, filed Oct. 11, 2013, Porter et al.

*Primary Examiner* — Carol P Rademaker

(74) *Attorney, Agent, or Firm* — Reinhart Boerner Van Deuren s.c.

(57) **CLAIM**

We claim the ornamental design for a preform for dosing bottle, as shown and described.

**DESCRIPTION**

FIG. 1 is a top, front perspective view of a preform for a dosing bottle, of the claimed design, shown in a partially inverted orientation;

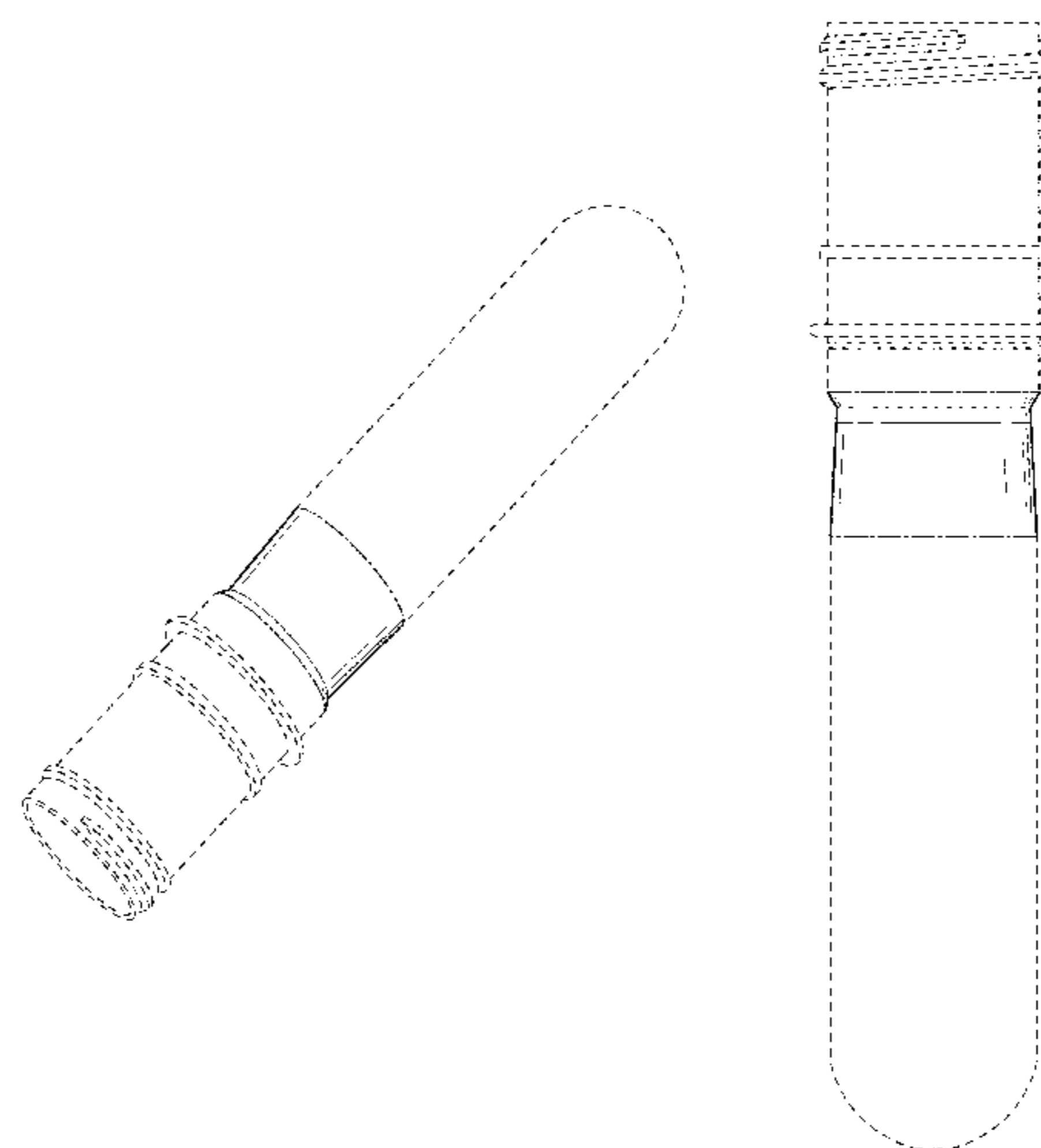
FIG. 2 is a front elevational view thereof, shown in an upright orientation;

FIG. 3 is a top plan view thereof; and,

FIG. 4 is a bottom plan view thereof.

The broken lines shown in the drawing views are included for the purpose of showing unclaimed portions of the preform for dosing bottle.

**1 Claim, 3 Drawing Sheets**



(56)

References Cited

U.S. PATENT DOCUMENTS

D304,681 S 11/1989 Metaxa  
 4,915,992 A 4/1990 Takakusaki et al.  
 4,954,376 A 9/1990 Krishnakumar et al.  
 D310,963 S 10/1990 Segati  
 4,971,226 A 11/1990 Donoghue  
 D313,935 S 1/1991 Miller  
 D316,815 S 5/1991 Kalin et al.  
 5,049,349 A 9/1991 McCullough et al.  
 D321,651 S 11/1991 Cochran  
 D321,829 S 11/1991 Iazzetta  
 D323,617 S 2/1992 Miller  
 5,122,325 A 6/1992 Bartley et al.  
 D336,046 S 6/1993 Donoghue  
 5,255,889 A 10/1993 Collette et al.  
 D340,838 S \* 11/1993 Lingo ..... D7/523  
 D342,028 S 12/1993 Stenger  
 5,330,081 A 7/1994 Davenport  
 5,364,585 A 11/1994 Takeuchi  
 D353,324 S 12/1994 Rice, III  
 D356,502 S 3/1995 Poandl  
 D357,416 S 4/1995 Valentine  
 5,411,698 A 5/1995 Mero et al.  
 D360,363 S 7/1995 Minale  
 D360,831 S 8/1995 Boisset  
 5,447,766 A 9/1995 Orimoto et al.  
 5,588,544 A 12/1996 Takashima et al.  
 D379,765 S 6/1997 Hencher  
 D387,993 S 12/1997 Workman et al.  
 D388,712 S 1/1998 Lyngdal et al.  
 5,735,420 A 4/1998 Nakamaki et al.  
 D395,239 S 6/1998 Davis  
 5,780,130 A 7/1998 Hansen et al.  
 D400,434 S 11/1998 Amos et al.  
 5,888,598 A 3/1999 Brewster et al.  
 5,911,344 A 6/1999 Kieras  
 5,918,752 A 7/1999 Meyer  
 6,082,565 A 7/2000 Harrold  
 6,123,211 A 9/2000 Rashid et al.  
 6,209,762 B1 4/2001 Haffner et al.  
 6,217,819 B1 4/2001 Wunderlich  
 D445,024 S 7/2001 Breidenbach et al.  
 D450,597 S 11/2001 Bobchenok et al.  
 6,312,641 B1 11/2001 Hutchinson  
 D452,159 S 12/2001 Belser et al.  
 6,382,954 B1 5/2002 Mai  
 6,568,156 B2 5/2003 Silvers et al.  
 6,572,812 B2 6/2003 Collette et al.  
 D484,419 S 12/2003 Potocki et al.  
 RE38,396 E 1/2004 Gellert  
 6,673,303 B2 1/2004 White et al.  
 6,681,548 B2 1/2004 Silvers et al.

D486,072 S 2/2004 Potocki et al.  
 6,709,624 B2 3/2004 Lisch et al.  
 6,808,820 B2 10/2004 Lee et al.  
 D498,144 S 11/2004 Illenberger et al.  
 D505,079 S 5/2005 Mulder et al.  
 6,890,621 B2 5/2005 Nakamura et al.  
 D511,460 S 11/2005 Deubel et al.  
 D512,316 S 12/2005 Illenberger et al.  
 D574,711 S 8/2008 Lederman et al.  
 D579,594 S 10/2008 Hesse et al.  
 D583,481 S 12/2008 Yamamoto et al.  
 D593,801 S \* 6/2009 Wilson ..... D24/114  
 D607,731 S 1/2010 Soliman  
 7,717,057 B2 5/2010 Hutchinson et al.  
 D633,392 S 3/2011 Northrop et al.  
 D644,536 S 9/2011 Witz et al.  
 D646,973 S 10/2011 Flanagan-Kent et al.  
 D646,981 S 10/2011 Flanagan-Kent et al.  
 D649,405 S \* 11/2011 Lingo ..... D24/224  
 8,057,733 B2 11/2011 Begley et al.  
 D664,165 S 7/2012 Witz  
 D677,989 S \* 3/2013 Fraser ..... D7/523  
 8,435,027 B2 5/2013 Nemoto et al.  
 D694,111 S 11/2013 Porter et al.  
 8,632,722 B2 1/2014 Porter et al.  
 D698,651 S \* 2/2014 Sommer ..... D9/521 X  
 D698,652 S \* 2/2014 Sommer ..... D9/503 X  
 D702,743 S \* 4/2014 Witz ..... D15/136  
 D705,659 S \* 5/2014 Porter ..... D9/516  
 D730,735 S \* 6/2015 Sommer ..... D9/500  
 2002/0037338 A1 3/2002 Lisch et al.  
 2002/0037377 A1 3/2002 Schmidt et al.  
 2002/0108924 A1 8/2002 White et al.  
 2003/0077349 A1 4/2003 Derouault et al.  
 2003/0116526 A1 6/2003 Mehanna  
 2003/0219555 A1 11/2003 Hutchinson et al.  
 2004/0071885 A1 4/2004 Hutchinson et al.  
 2004/0247735 A1 12/2004 Hutchinson et al.  
 2006/0051451 A1 3/2006 Hutchinson et al.  
 2006/0204694 A1 9/2006 Porter et al.  
 2008/0038500 A1 2/2008 Page et al.  
 2009/0159482 A1 6/2009 Begley et al.  
 2009/0211880 A1 8/2009 Klaiber et al.  
 2010/0178148 A1 7/2010 Forsthoewel et al.  
 2010/0243597 A1 9/2010 Nemoto et al.  
 2010/0307633 A1 12/2010 Dierickx  
 2011/0180509 A1 7/2011 Hutchinson et al.  
 2012/0031870 A1 2/2012 Porter et al.  
 2012/0061883 A1 3/2012 Gottlieb et al.  
 2012/0263902 A1 10/2012 Hanan  
 2012/0306126 A1 12/2012 Fuss et al.  
 2013/0071592 A1 3/2013 Liu et al.

\* cited by examiner

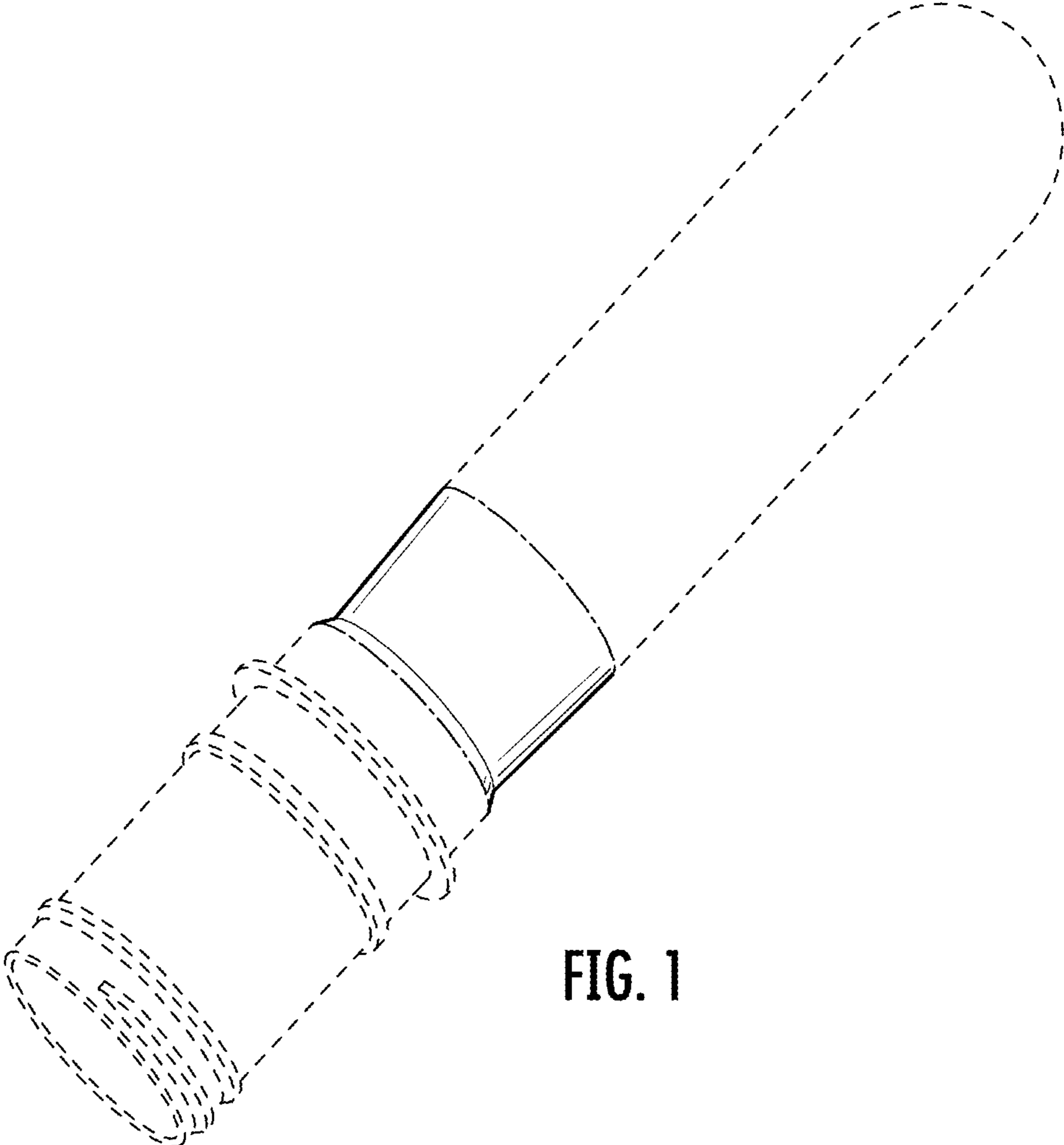


FIG. 1

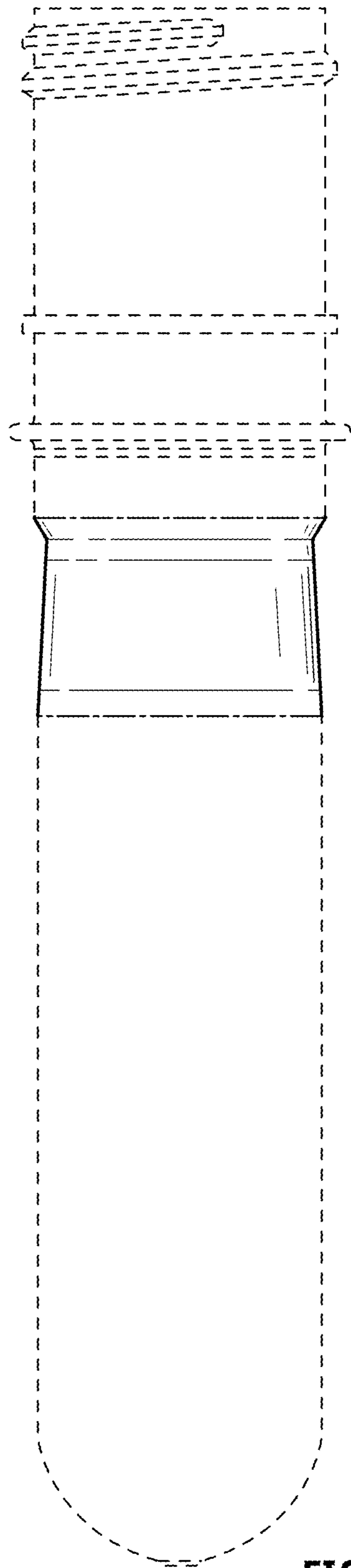
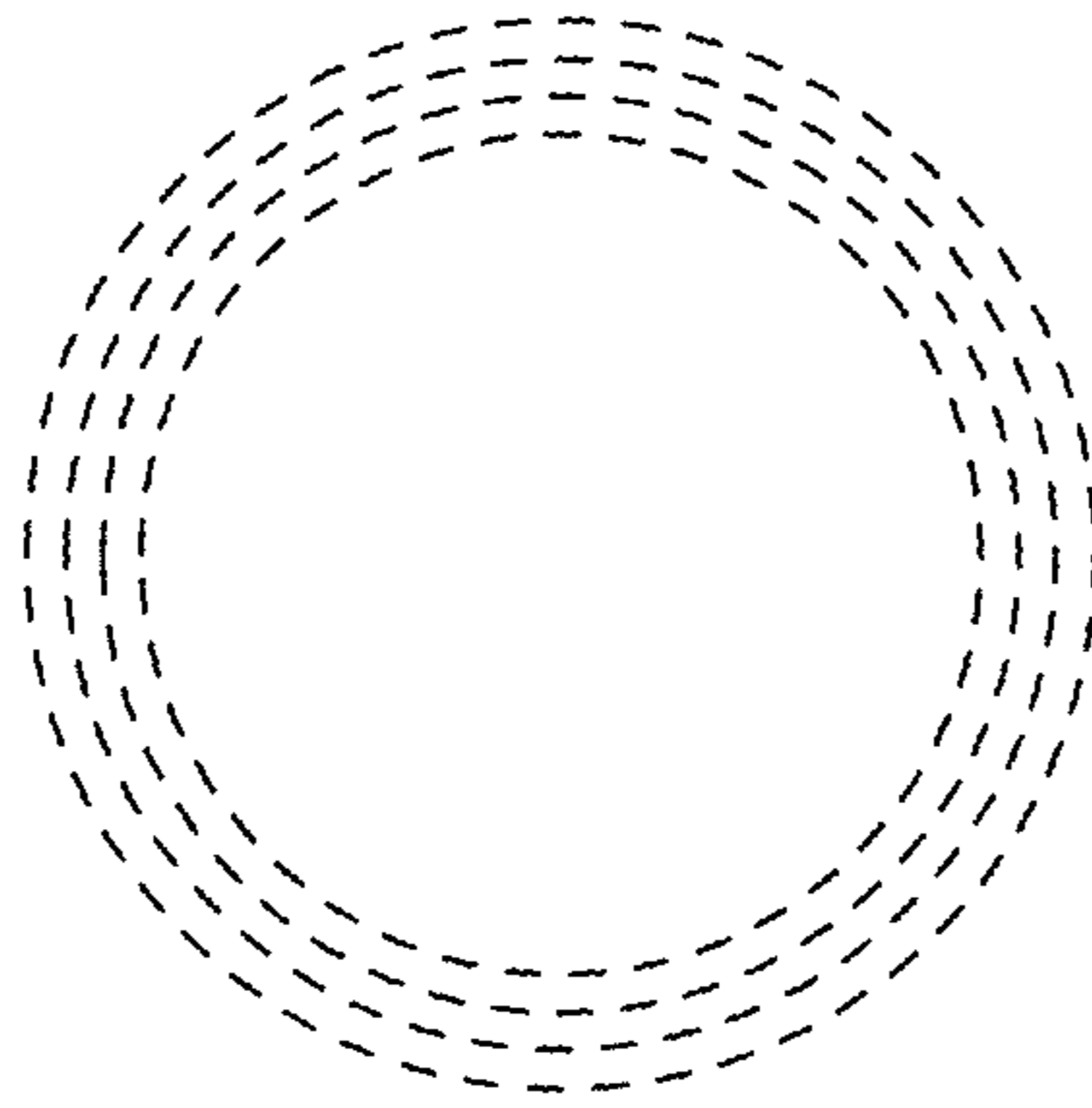
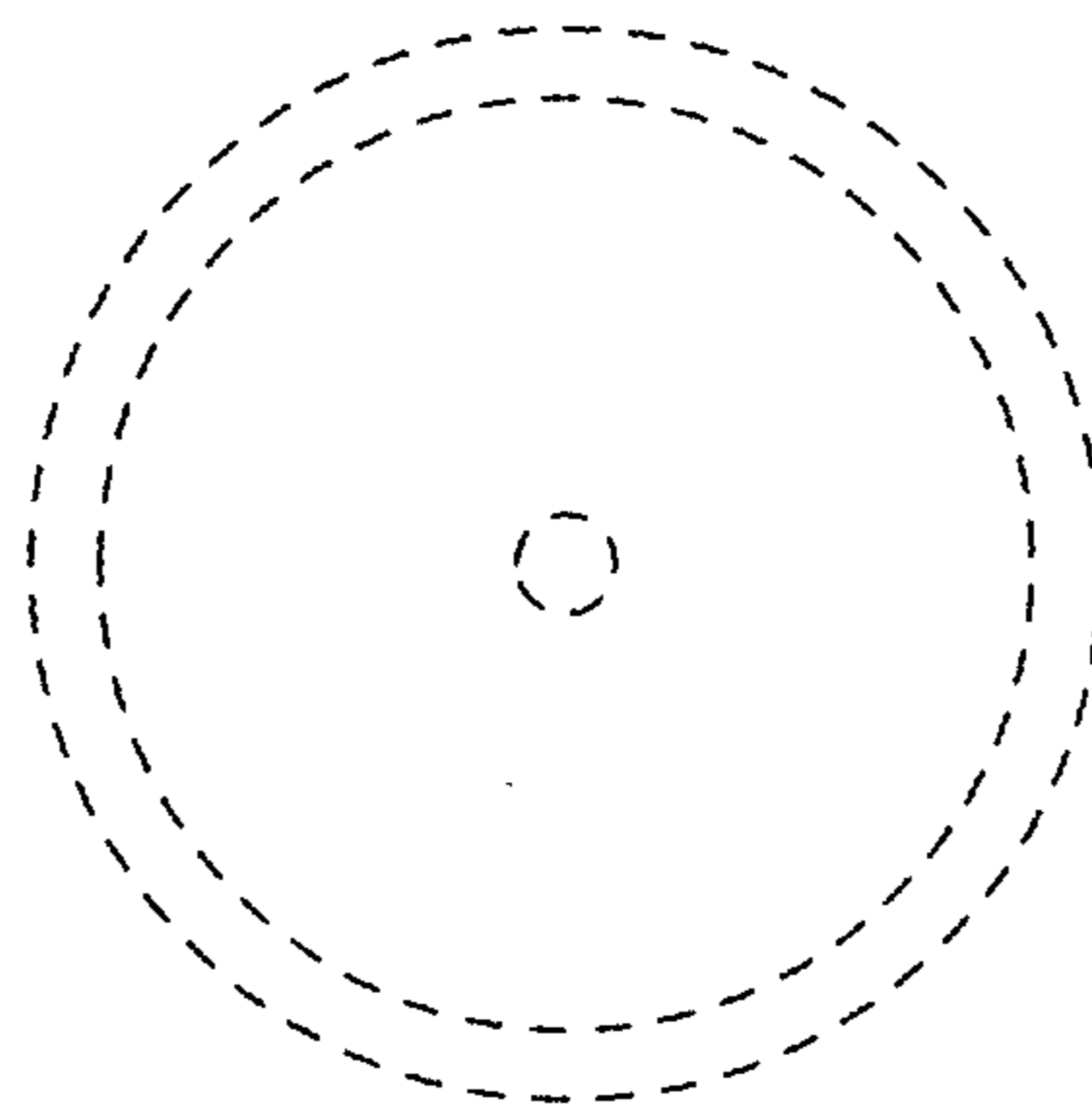


FIG. 2



**FIG. 3**



**FIG. 4**