



US00D769719S

(12) **United States Design Patent**
Lebon

(10) **Patent No.:** **US D769,719 S**
(45) **Date of Patent:** **** Oct. 25, 2016**

- (54) **CONTAINER**
- (71) Applicant: **Clariant Productions (France) SAS,**
Trosly Breuil (FR)
- (72) Inventor: **Jacquy Lebon,** Challands (FR)
- (73) Assignee: **Clariant Production (France) SAS,**
Trosly Breuil (FR)
- (**) Term: **14 Years**
- (21) Appl. No.: **29/490,104**
- (22) Filed: **May 6, 2014**
- (51) **LOC (10) Cl.** **09-03**
- (52) **U.S. Cl.**
USPC **D9/500; D9/520**
- (58) **Field of Classification Search**
USPC D9/414, 417, 500, 503-504, 516, 520,
D9/549, 558, 575, 715, 719, 730, 733,
D9/904-905; D7/590-591, 596-597,
D7/601-602, 629-630; D28/4, 8, 91;
D32/35, 75
CPC B65D 1/00; B65D 1/02; B65D 1/0223;
B65D 1/0261; B65D 1/10; B65D 23/00;
B65D 81/00; B65D 81/266; B65D 81/268;
B65D 2501/00; B65D 2501/0009
See application file for complete search history.

- 4,898,298 A * 2/1990 Norris B65D 47/06
215/387
- D309,364 S * 7/1990 Shaw D34/39
- 4,981,230 A 1/1991 Marshall et al.
- 5,071,663 A * 12/1991 Dugan A47J 43/255
241/168
- D331,639 S * 12/1992 Thompson D28/7
- D346,958 S * 5/1994 Olson D32/35
- D367,423 S * 2/1996 Stanley D9/504
- D373,291 S * 9/1996 Auker D7/667
- D382,175 S * 8/1997 Green D28/82
- 5,730,785 A * 3/1998 Idol B65D 11/26
206/204
- 5,759,241 A * 6/1998 Klett B01D 53/261
215/228
- D401,115 S 11/1998 Huang
- D410,073 S * 5/1999 Barnett D23/261
- 6,056,136 A 5/2000 Taber et al.
- D427,069 S 6/2000 Carter
- D466,814 S * 12/2002 Hurlburt D9/504

(Continued)

FOREIGN PATENT DOCUMENTS

- WO D067982-001 4/2006
- WO D069747-001 2/2008
- WO D070355-002 7/2008

Primary Examiner — Dana L Meyrow

(74) *Attorney, Agent, or Firm* — Knobbe, Martens, Olson & Bear LLP

(57) **CLAIM**

The ornamental design for a container, as shown and described.

DESCRIPTION

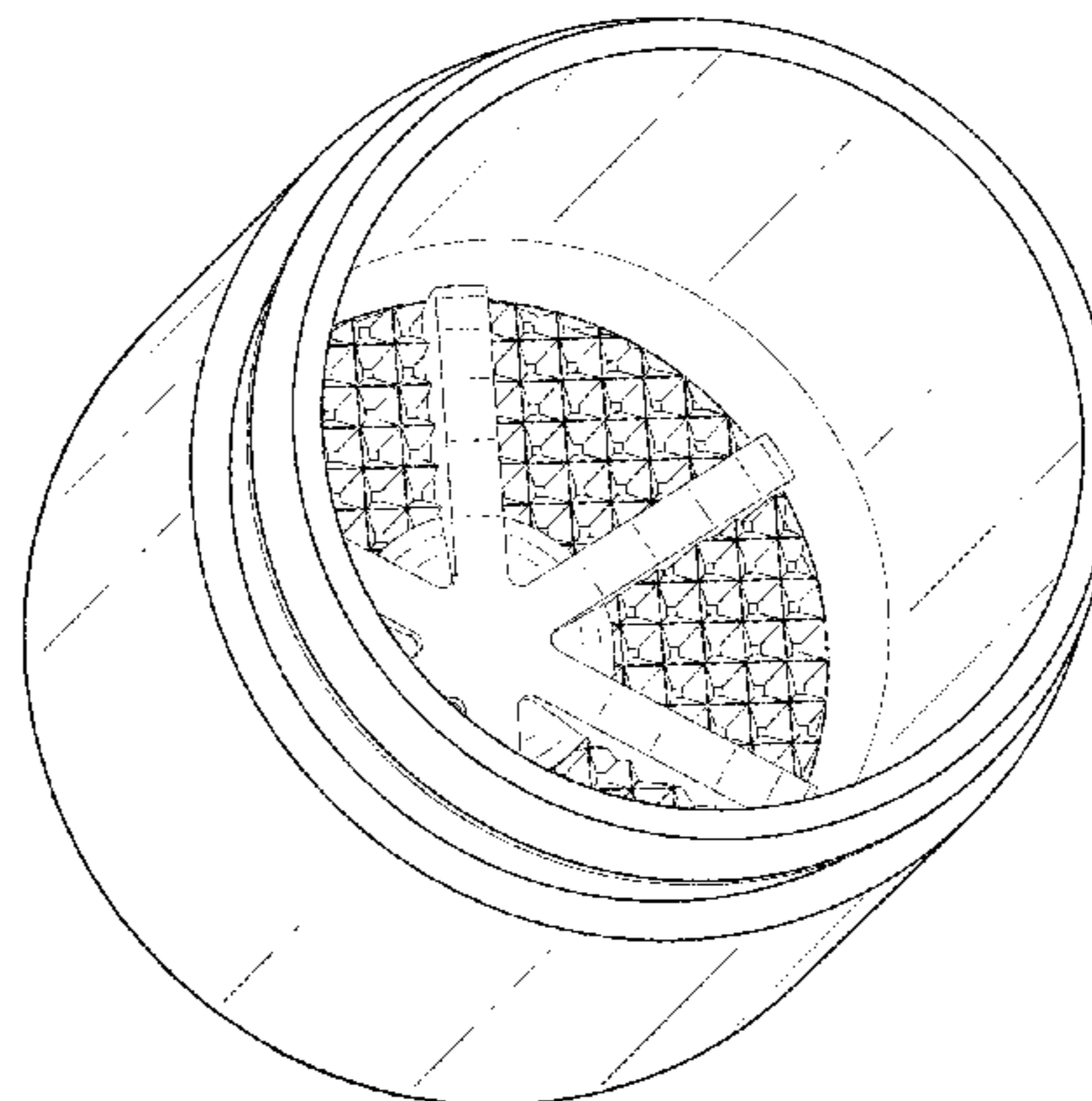
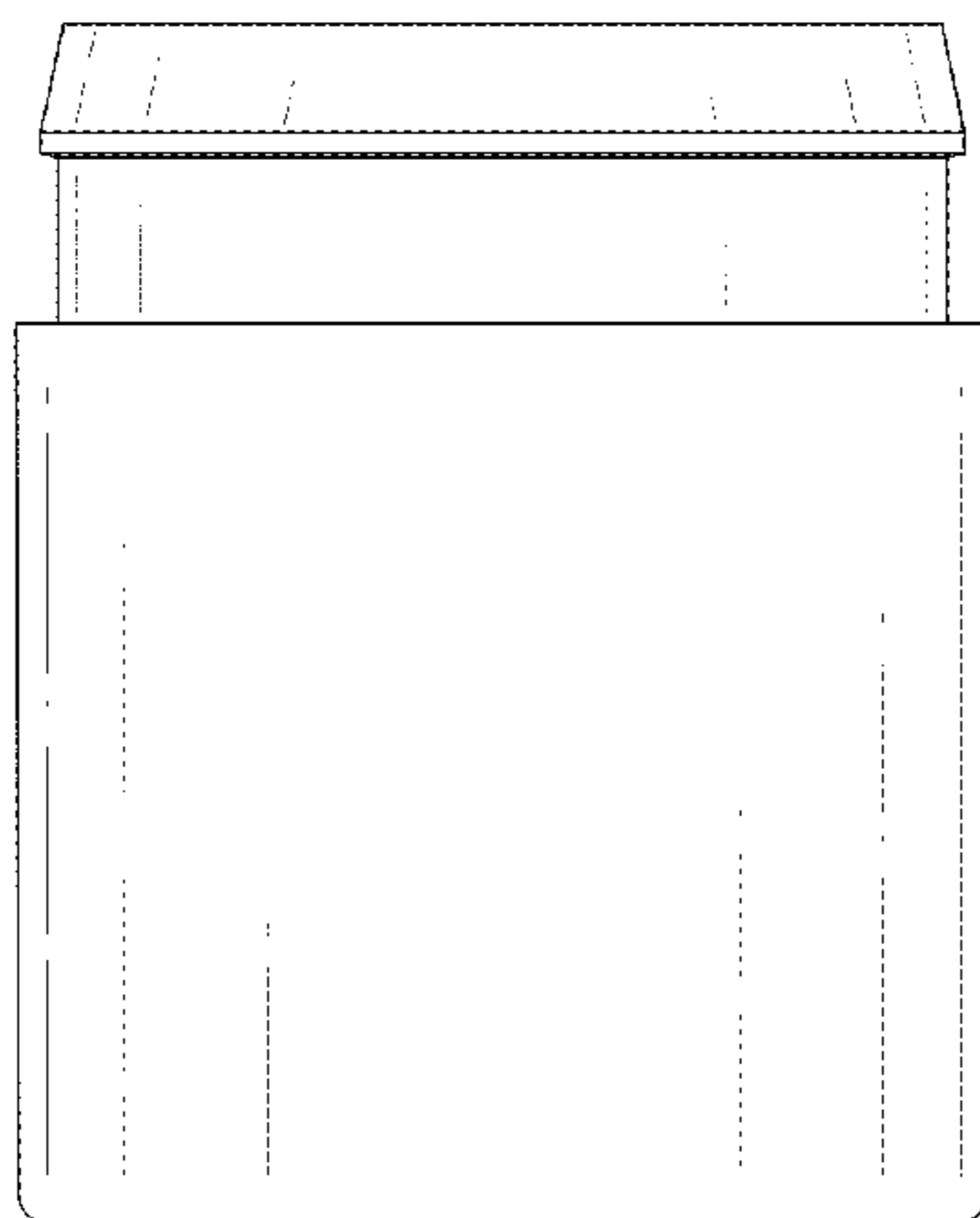
FIG. 1 is a side elevation view of a container showing our new design;
 FIG. 2 is a bottom view thereof;
 FIG. 3 is a top view thereof;
 FIG. 4 is a cross-section view thereof taken along the line 4-4 in FIG. 2;
 FIG. 5 is a cross-section view thereof taken along the line 5-5 in FIG. 3;
 FIG. 6 is a bottom perspective view thereof; and,
 FIG. 7 is a top perspective view thereof.

1 Claim, 7 Drawing Sheets

(56) **References Cited**

U.S. PATENT DOCUMENTS

- 1,841,691 A 1/1932 Wilson
- D185,399 S * 6/1959 Tupper D7/667
- 3,017,049 A * 1/1962 Powell B65D 50/061
215/206
- 3,276,626 A * 10/1966 Stevens B65D 83/0409
221/257
- D248,204 S * 6/1978 Daenen D7/591
- D263,269 S * 3/1982 Strathman D27/194
- D278,600 S * 4/1985 Fortuna D9/556
- D279,651 S 7/1985 Freeman
- 4,550,844 A 11/1985 Lininger
- D291,971 S 9/1987 Smith



(56)

References Cited

U.S. PATENT DOCUMENTS

D473,791 S 4/2003 Loris
 D479,801 S * 9/2003 Carmichael D7/401.1
 D527,812 S 9/2006 Brown
 D530,205 S 10/2006 Lohrman
 D547,602 S 7/2007 Yamasaki
 D553,981 S 10/2007 Harre
 D561,582 S 2/2008 Nottingham
 D576,257 S 9/2008 Rattenbury
 D599,655 S 9/2009 Friebe et al.
 D604,608 S 11/2009 Lourenco
 D610,008 S 2/2010 Baughmann
 D637,903 S 5/2011 Ghiotti
 D641,628 S 7/2011 Baughmann
 D644,337 S 8/2011 Belfance et al.
 D644,739 S 9/2011 Belfance et al.
 D644,740 S 9/2011 John et al.

8,025,067 B2 * 9/2011 Thorpe A45D 33/003
 132/307
 D653,734 S 2/2012 Sisk
 D654,366 S 2/2012 Presche et al.
 D666,086 S * 8/2012 Mundhra D7/667
 D673,246 S 12/2012 Lee
 D677,567 S * 3/2013 Groves D9/444
 D682,625 S * 5/2013 Lane D7/629
 D684,812 S * 6/2013 Johnson D7/392
 D694,100 S 11/2013 Schneider et al.
 8,800,809 B2 * 8/2014 Portier B65D 43/0212
 206/204
 D729,010 S 5/2015 Logel et al.
 D744,335 S * 12/2015 Rigollet D9/436
 2005/0198993 A1 * 9/2005 Corrigan B01D 53/0415
 62/474
 2005/0252878 A1 11/2005 Babcock
 2007/0186779 A1 8/2007 Fung
 2010/0224646 A1 9/2010 Incorvia et al.
 2010/0282783 A1 11/2010 Baughmann et al.

* cited by examiner

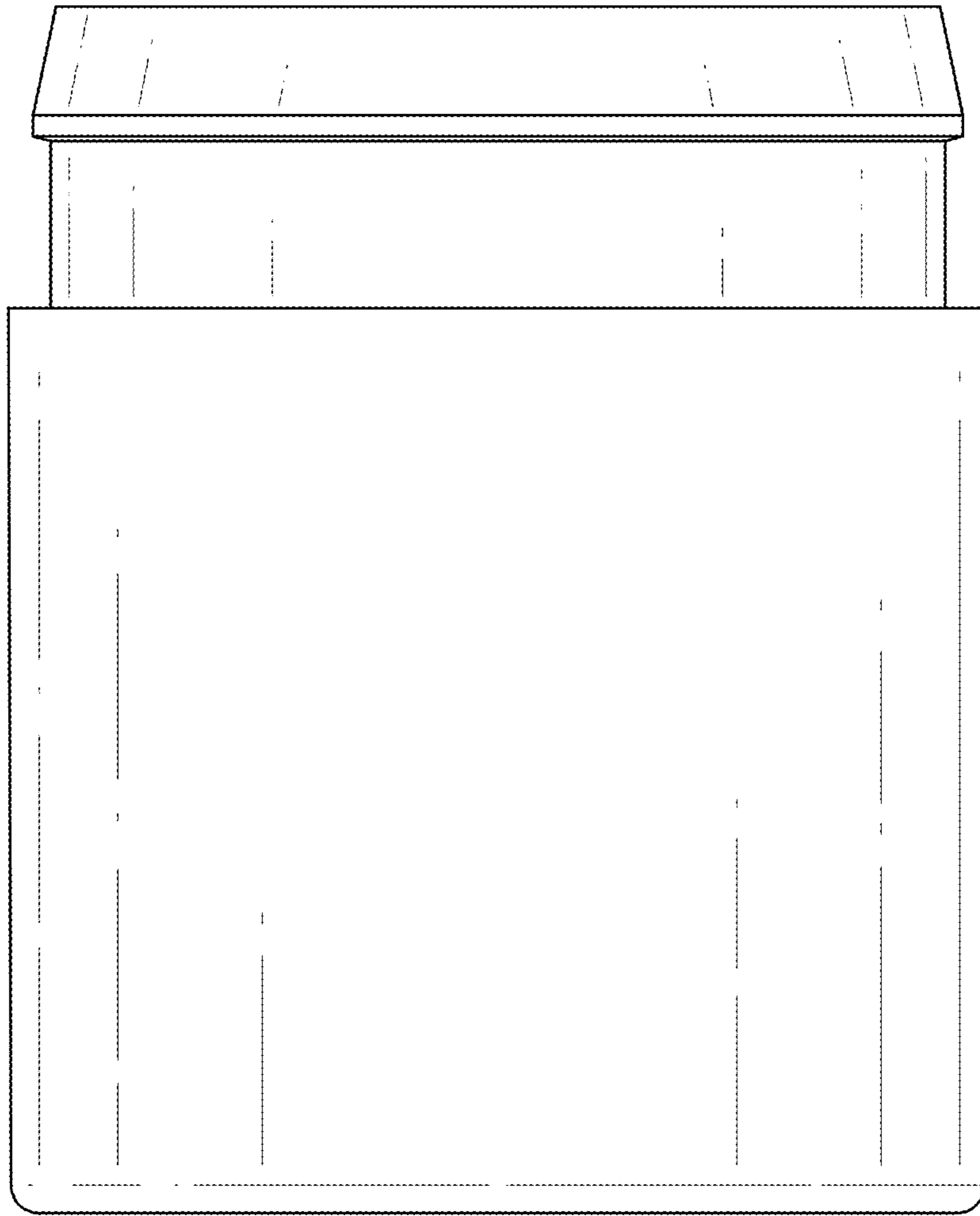
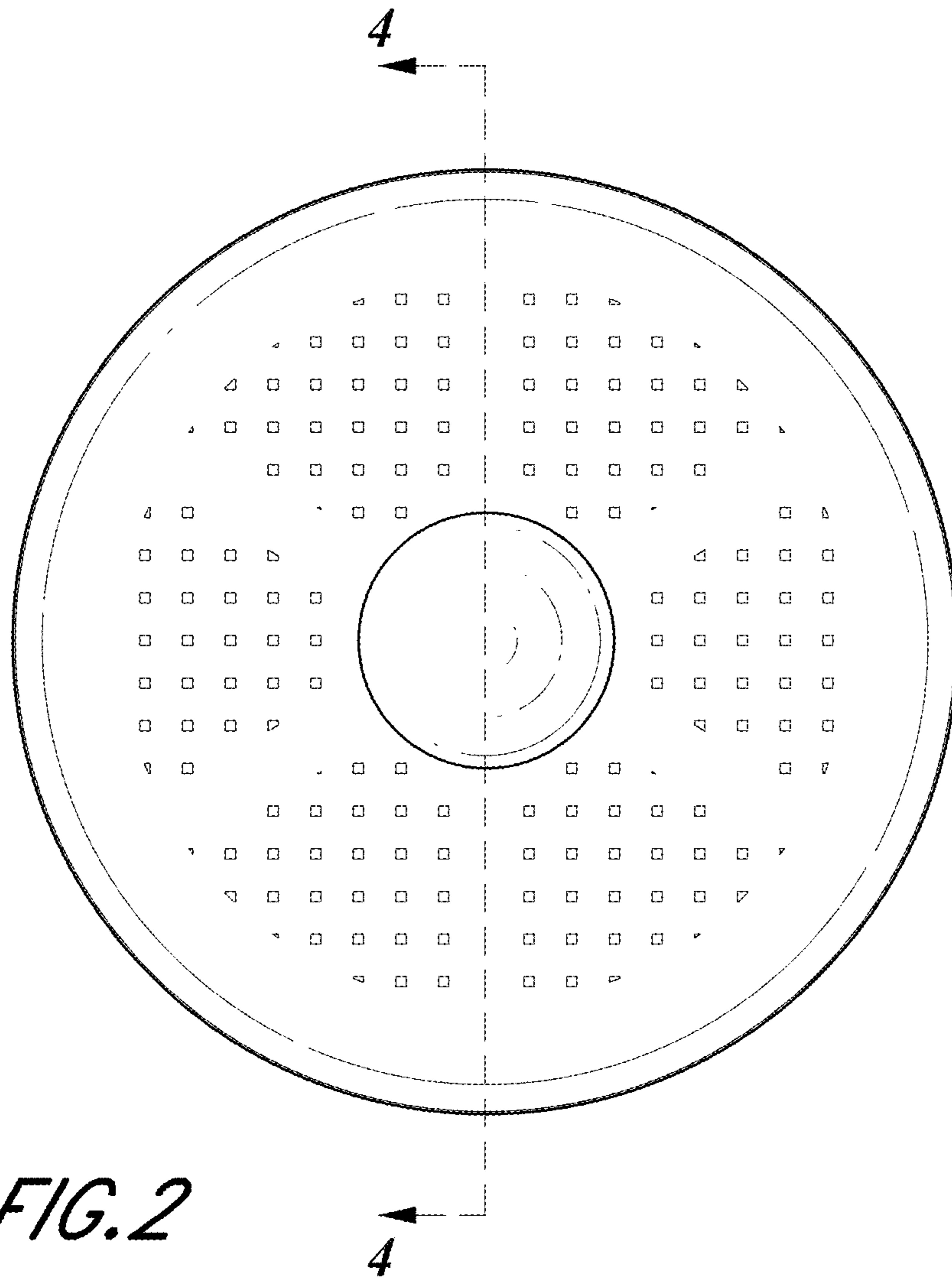


FIG. 1



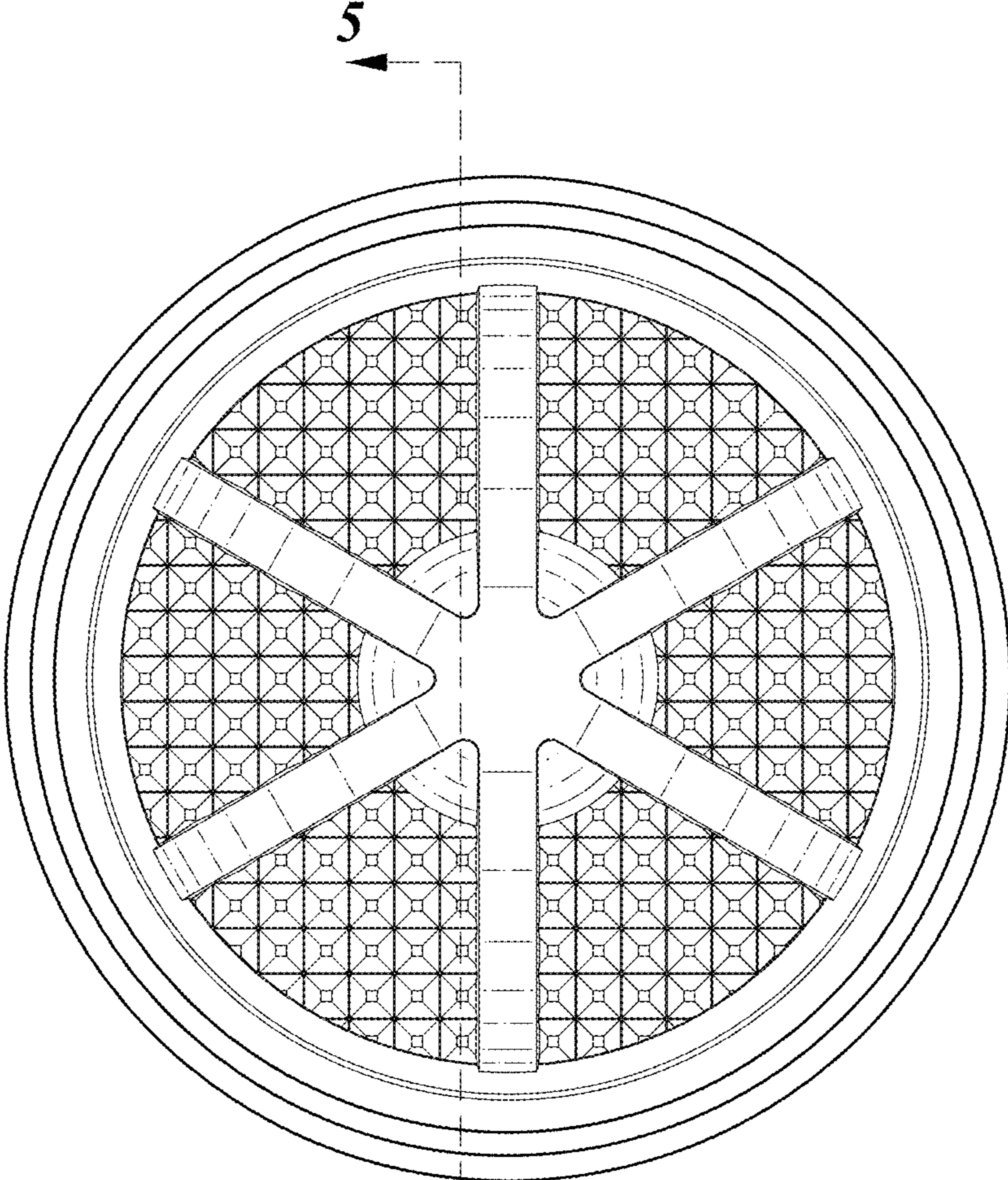


FIG. 3

5

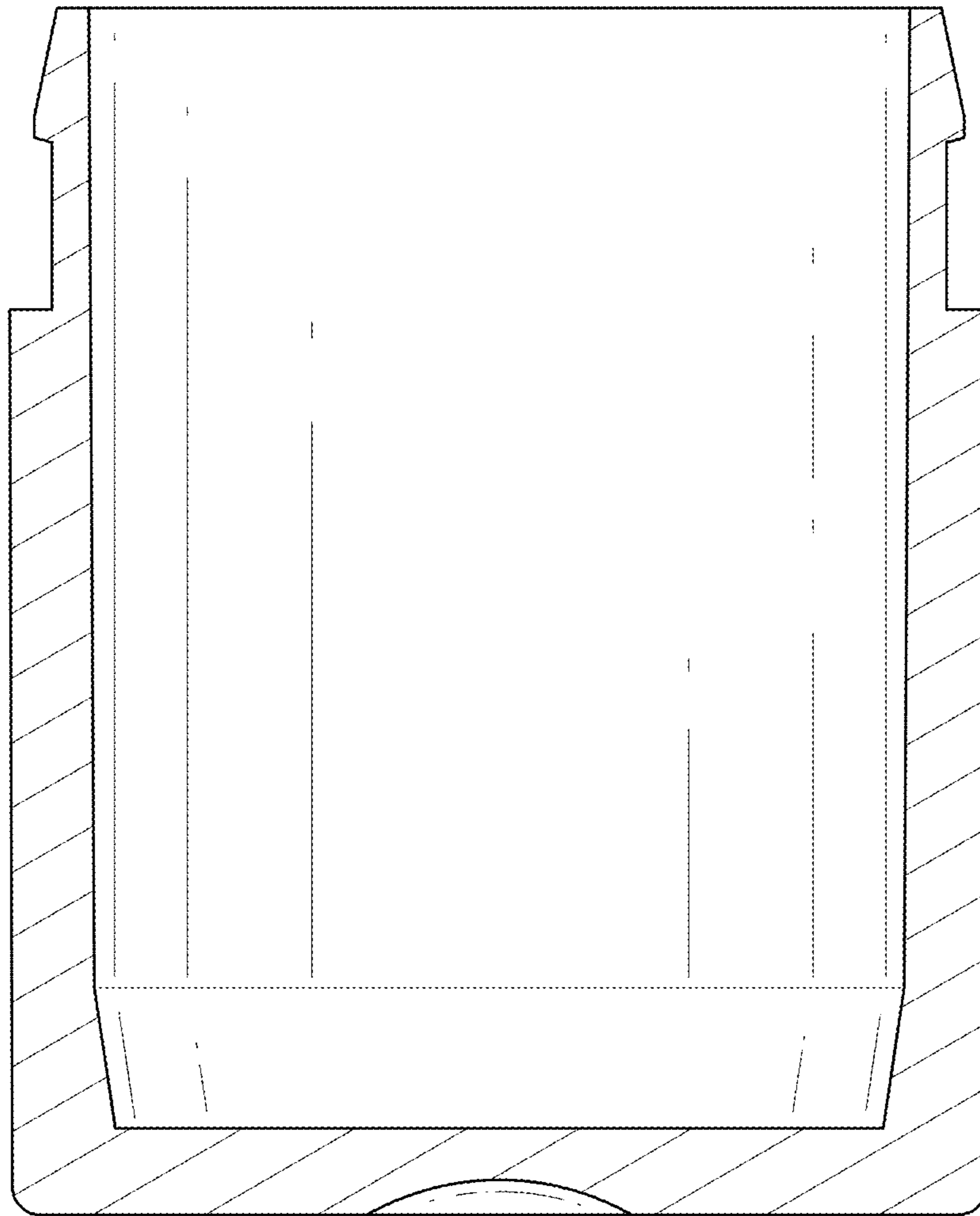


FIG. 4

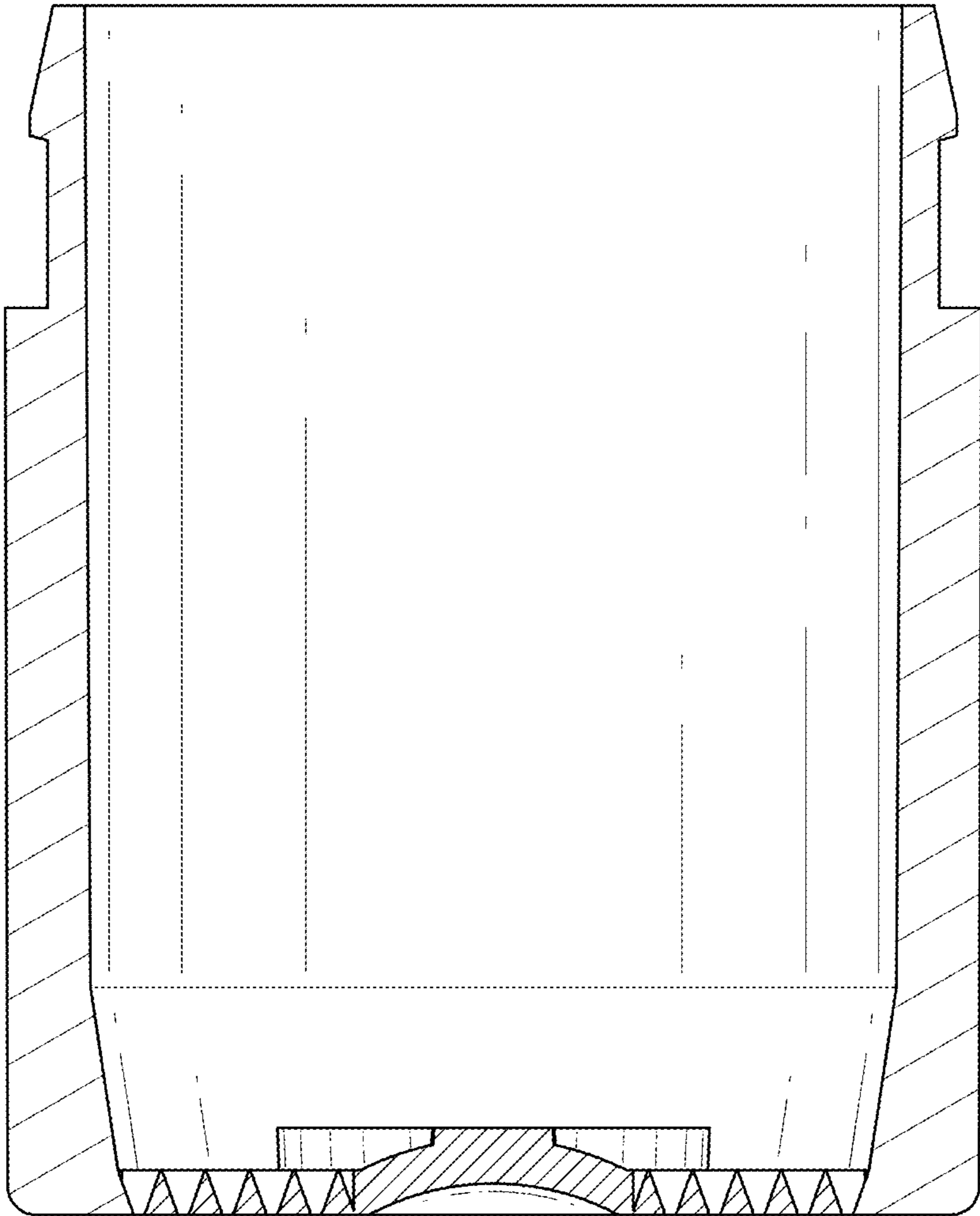


FIG. 5

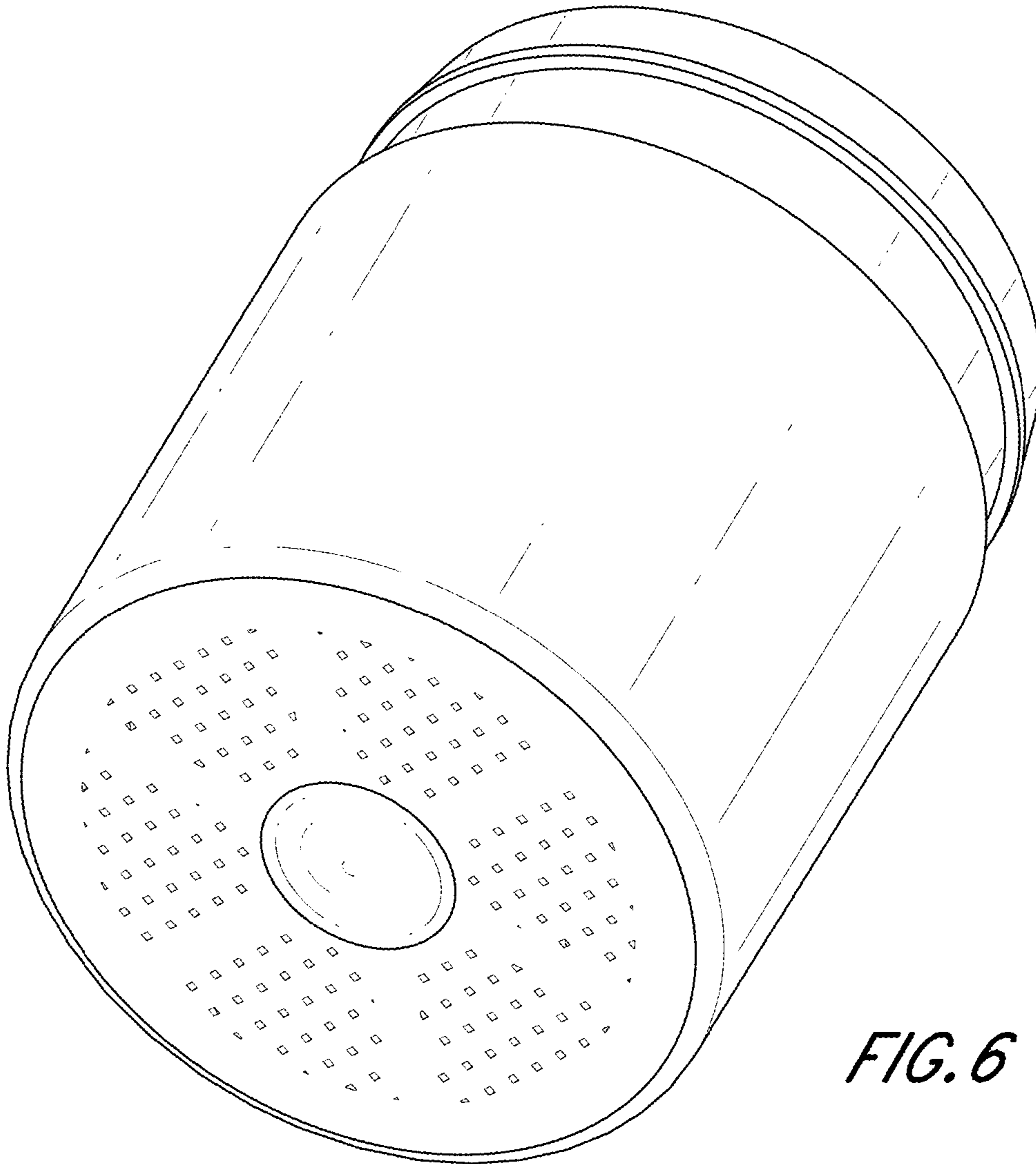


FIG. 6

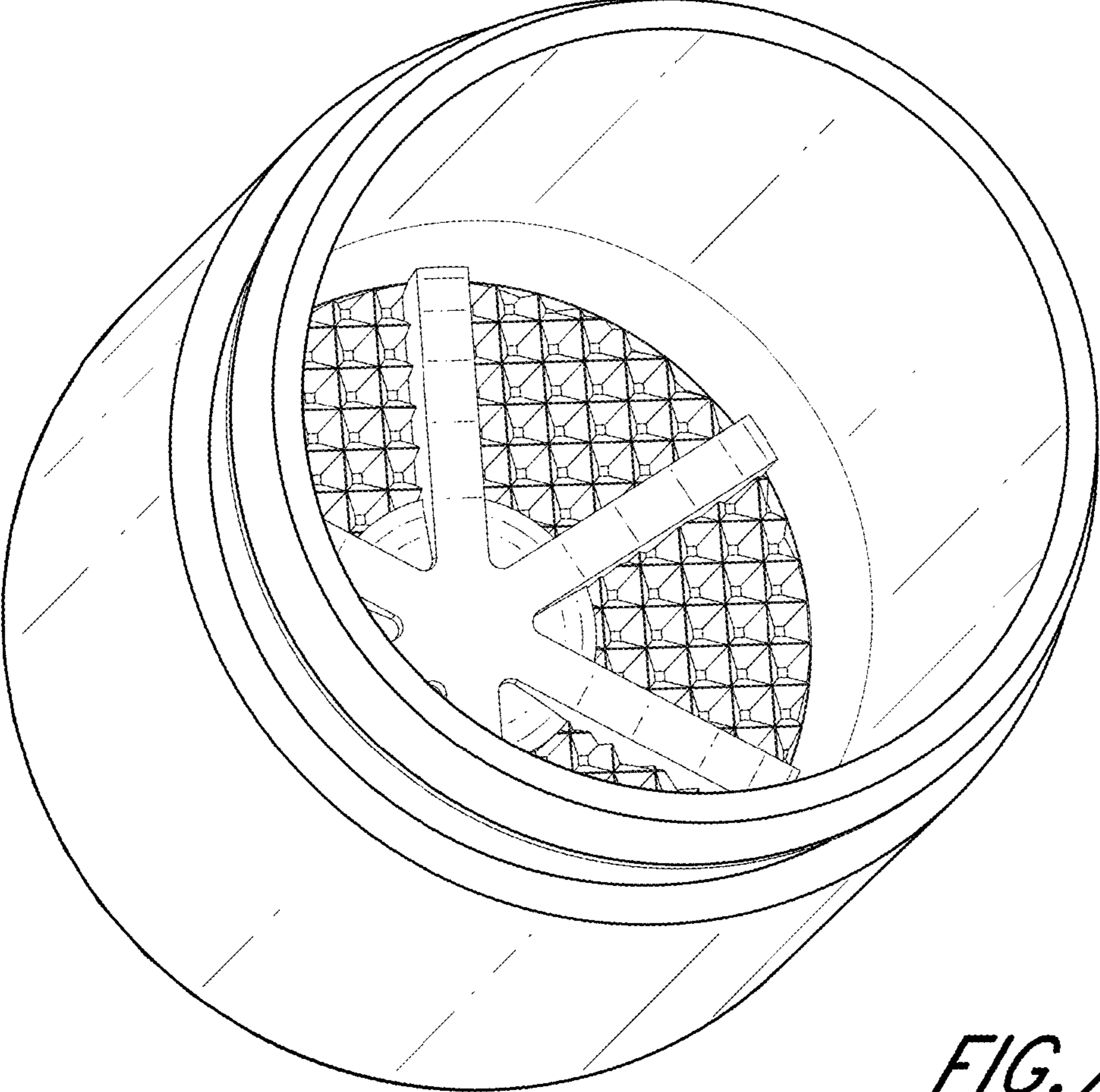


FIG. 7

UNITED STATES PATENT AND TRADEMARK OFFICE
CERTIFICATE OF CORRECTION

PATENT NO. : D769,719 S
APPLICATION NO. : 29/490104
DATED : October 25, 2016
INVENTOR(S) : Lebon

Page 1 of 1

It is certified that error appears in the above-identified patent and that said Letters Patent is hereby corrected as shown below:

On the Title Page

Item [30], insert -- Priority Information Community Design Application No. 002340752, filed July 11, 2013. --

Signed and Sealed this
Thirtieth Day of May, 2017



Michelle K. Lee
Director of the United States Patent and Trademark Office