



US00D769718S

(12) **United States Design Patent** (10) **Patent No.:** **US D769,718 S**  
**Houdijk et al.** (45) **Date of Patent:** **\*\* Oct. 25, 2016**

(54) **GARMENT BOX INSERT**

4,119,197 A 10/1978 Pilz  
4,158,406 A 6/1979 Feder  
D256,675 S 9/1980 Lubsen et al.

(71) Applicant: **United Parcel Service of America, Inc.**, Atlanta, GA (US)

(Continued)

(72) Inventors: **Gijs Houdijk**, Eindhoven (NL); **Koen De Greef**, Eindhoven (NL); **Frits Stam**, Eindhoven (NL)

FOREIGN PATENT DOCUMENTS

JP 6156557 A 6/1994

(73) Assignee: **United Parcel Service of America, Inc.**, Atlanta, GA (US)

OTHER PUBLICATIONS

International Searching Authority, International Search Report and Written Opinion for International Application No. PCT/US2012/042020, mailed Feb. 11, 2013, 12 pages, European Patent Office, The Netherlands.

(\*\*) Term: **14 Years**

(Continued)

(21) Appl. No.: **29/488,298**

(22) Filed: **Apr. 17, 2014**

*Primary Examiner* — Robert M Spear

(74) *Attorney, Agent, or Firm* — Alston & Bird LLP

**Related U.S. Application Data**

(62) Division of application No. 29/424,423, filed on Jun. 12, 2012, now Pat. No. Des. 714,643.

(57) **CLAIM**

The ornamental design for a garment box insert, as shown and described.

(51) **LOC (10) Cl.** ..... **09-07**

**DESCRIPTION**

(52) **U.S. Cl.**  
USPC ..... **D9/456**

(58) **Field of Classification Search**  
USPC ..... D9/430, 431, 432, 433, 434, 456, 499;  
220/579; 223/71  
CPC ..... B65D 25/00; B65D 85/18  
See application file for complete search history.

FIG. 1 is a perspective view of a garment box insert according to the present design.

FIG. 2 is a front view of the garment box insert shown in FIG. 1;

FIG. 3 is a rear view of the garment box insert shown in FIG. 1;

FIG. 4 is a top view of the garment box insert shown in FIG. 1;

FIG. 5 is a bottom view of the garment box insert shown in FIG. 1;

FIG. 6 is a side view of the garment box insert shown in FIG. 1, the opposite side view being a mirror image thereof; and, FIG. 7 is the opposite side view referenced above with regard to FIG. 6.

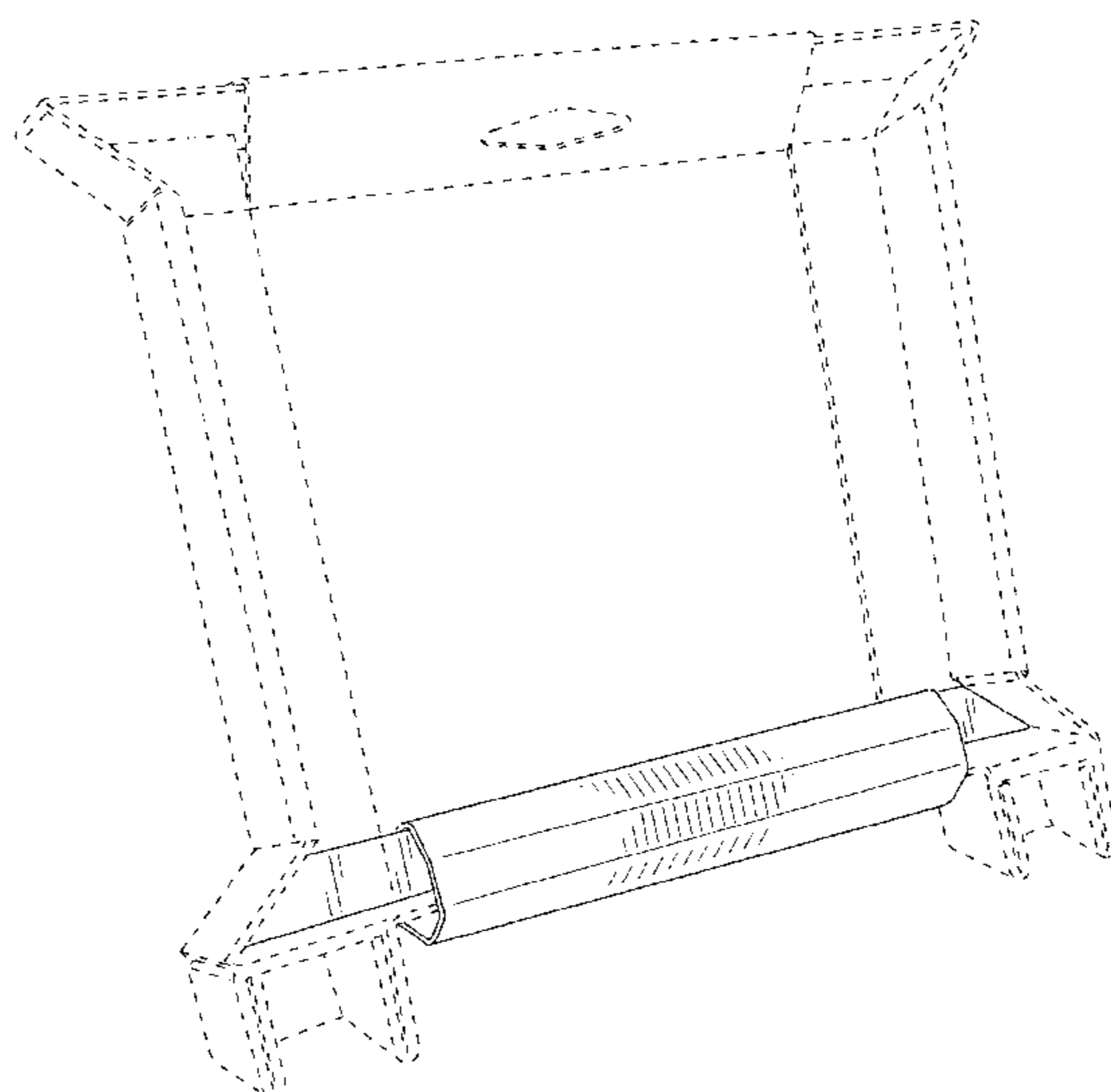
In the drawings, the broken lines depict environmental subject matter only and form no part of the claimed design.

(56) **References Cited**

U.S. PATENT DOCUMENTS

2,314,631 A \* 3/1943 Ray ..... 229/117.27  
2,508,579 A 5/1950 Mcfall  
2,581,696 A 1/1952 O'Reilly  
2,620,950 A 12/1952 Jacobson  
2,743,045 A 4/1956 Bartholome  
3,087,659 A 4/1963 Nolan  
3,999,657 A 12/1976 Doskocil

**1 Claim, 5 Drawing Sheets**



(56)

References Cited

U.S. PATENT DOCUMENTS

4,318,472 A 3/1982 Nauheimer et al.  
 D265,630 S 8/1982 Wahlberg et al.  
 4,342,389 A 8/1982 Bethune et al.  
 4,402,404 A 9/1983 Nauheimer  
 4,416,371 A 11/1983 Nauheimer  
 4,678,079 A 7/1987 Henning  
 4,942,683 A 7/1990 Lawson  
 5,096,100 A 3/1992 King et al.  
 5,505,298 A 4/1996 Dlugopolski  
 5,687,902 A 11/1997 Tusing et al.  
 5,797,542 A \* 8/1998 O'Connor ..... 229/109  
 6,155,415 A 12/2000 Runyan  
 6,237,838 B1 \* 5/2001 Bradenbaugh ..... 229/109  
 6,302,323 B1 10/2001 Southwell  
 D472,467 S \* 4/2003 Weinstein et al. .... D9/430  
 D628,884 S \* 12/2010 Smith ..... D9/430  
 D640,133 S \* 6/2011 Jones et al. .... D9/430  
 8,544,641 B1 10/2013 Houdijk et al.  
 D714,643 S \* 10/2014 Houdijk et al. .... D9/456

2003/0080117 A1 \* 5/2003 Chisholm ..... 219/730  
 2003/0080120 A1 \* 5/2003 Whitmore et al. .... 219/730  
 2008/0087563 A1 \* 4/2008 Kim ..... 206/299  
 2008/0128478 A1 \* 6/2008 Quadrelli ..... 229/110  
 2010/0163453 A1 \* 7/2010 Kim ..... 206/769  
 2010/0176187 A1 \* 7/2010 Shaboo ..... 229/110  
 2013/0346255 A1 \* 12/2013 Hayden et al. .... 705/27.1

OTHER PUBLICATIONS

United States Patent and Trademark Office, Office Action for U.S. Appl. No. 13/494,393, Jul. 8, 2013, 8 pages, USA.  
 United States Patent and Trademark Office, Notice of Allowance for U.S. Appl. No. 13/494,393, Aug. 6, 2013, 7 pages, USA.  
 United States Patent and Trademark Office, Office Action for U.S. Appl. No. 29/424,423, Apr. 29, 2014, 4 pages, USA.  
 United States Patent and Trademark Office, Office Action for U.S. Appl. No. 29/424,423, Jun. 6, 2014, 4 pages, USA.  
 United States Patent and Trademark Office, Notice of Allowance for U.S. Appl. No. 29/424,423, Aug. 12, 2014, 6 pages, USA.

\* cited by examiner

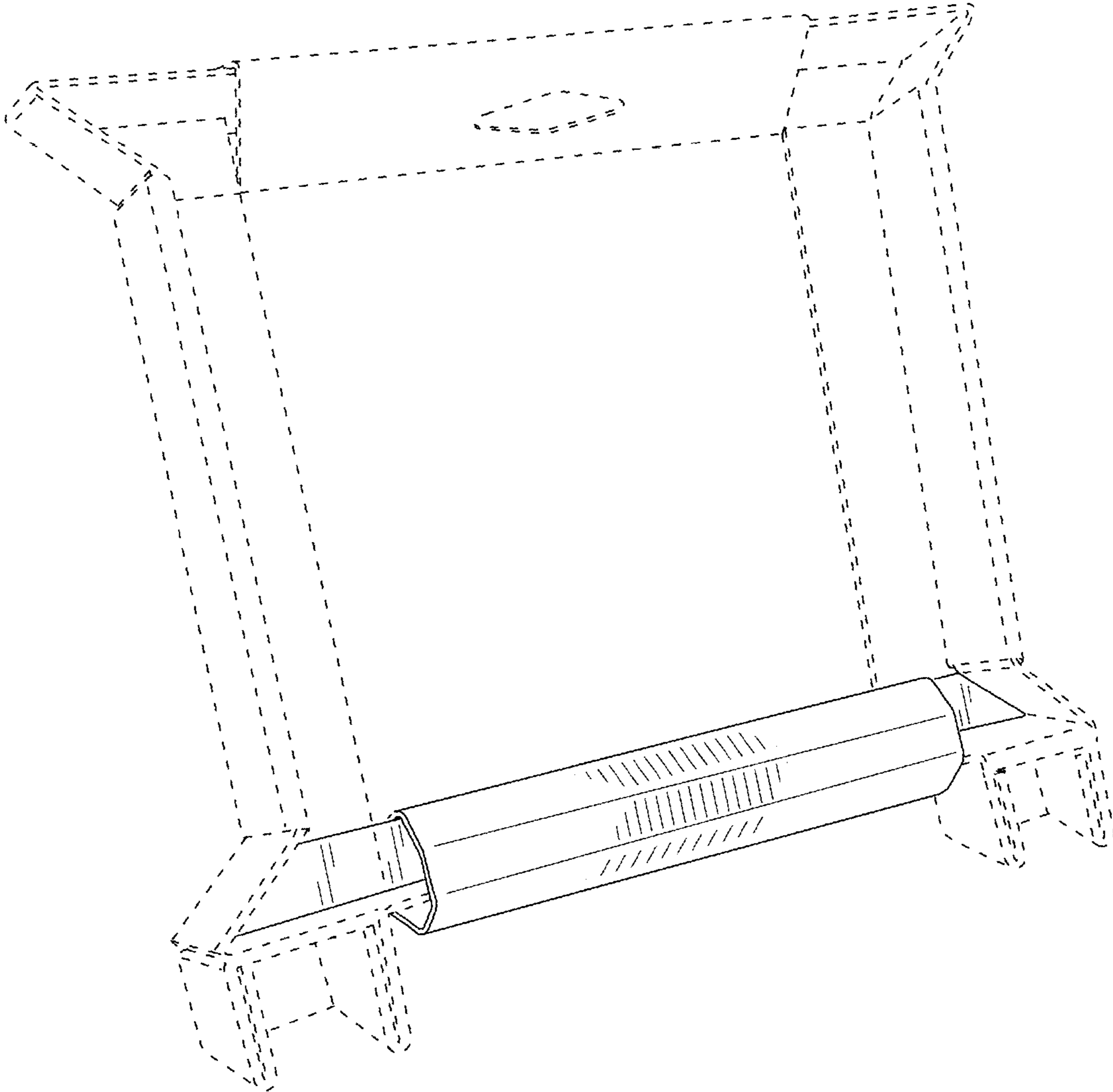


FIG. 1

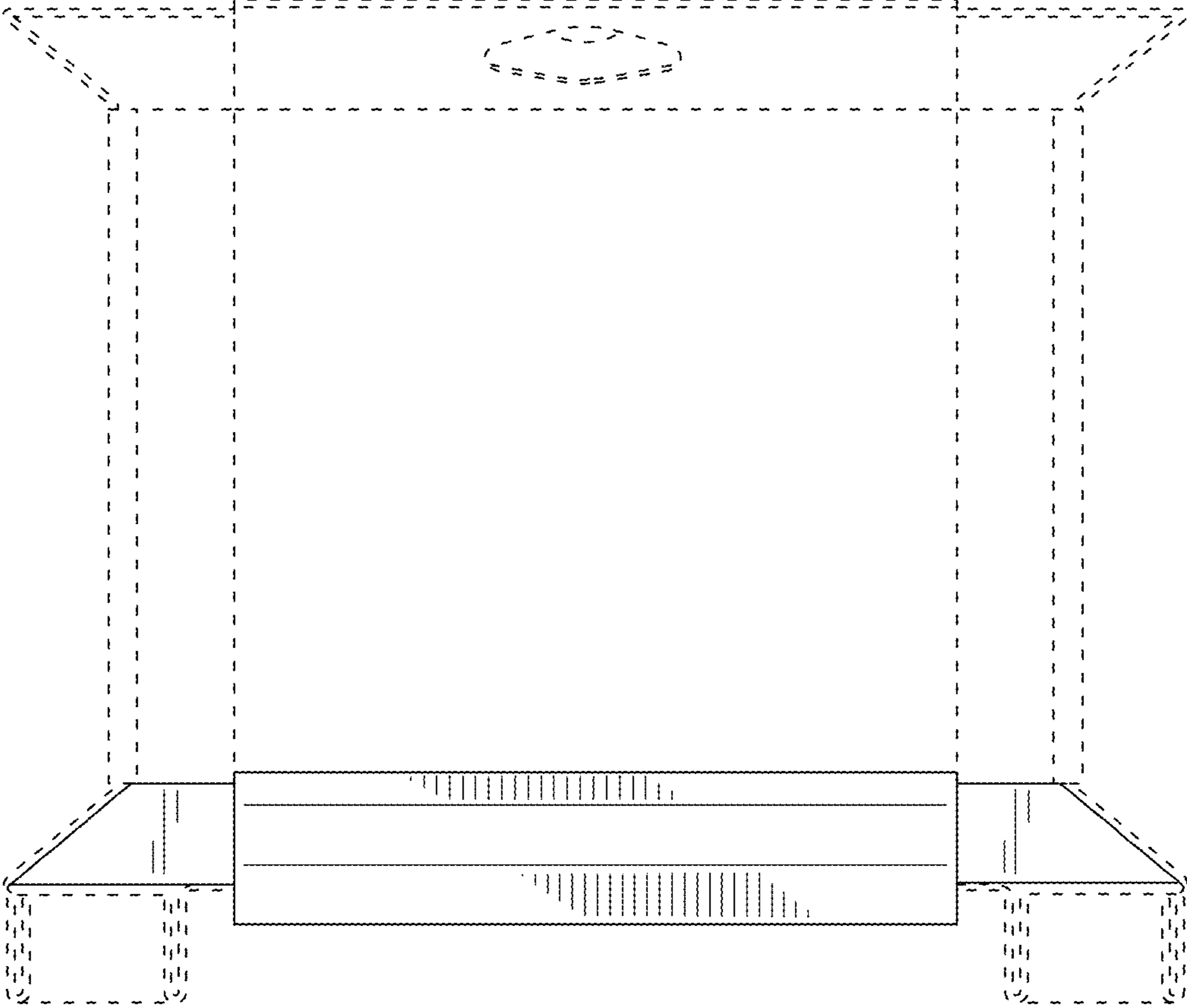


FIG. 2

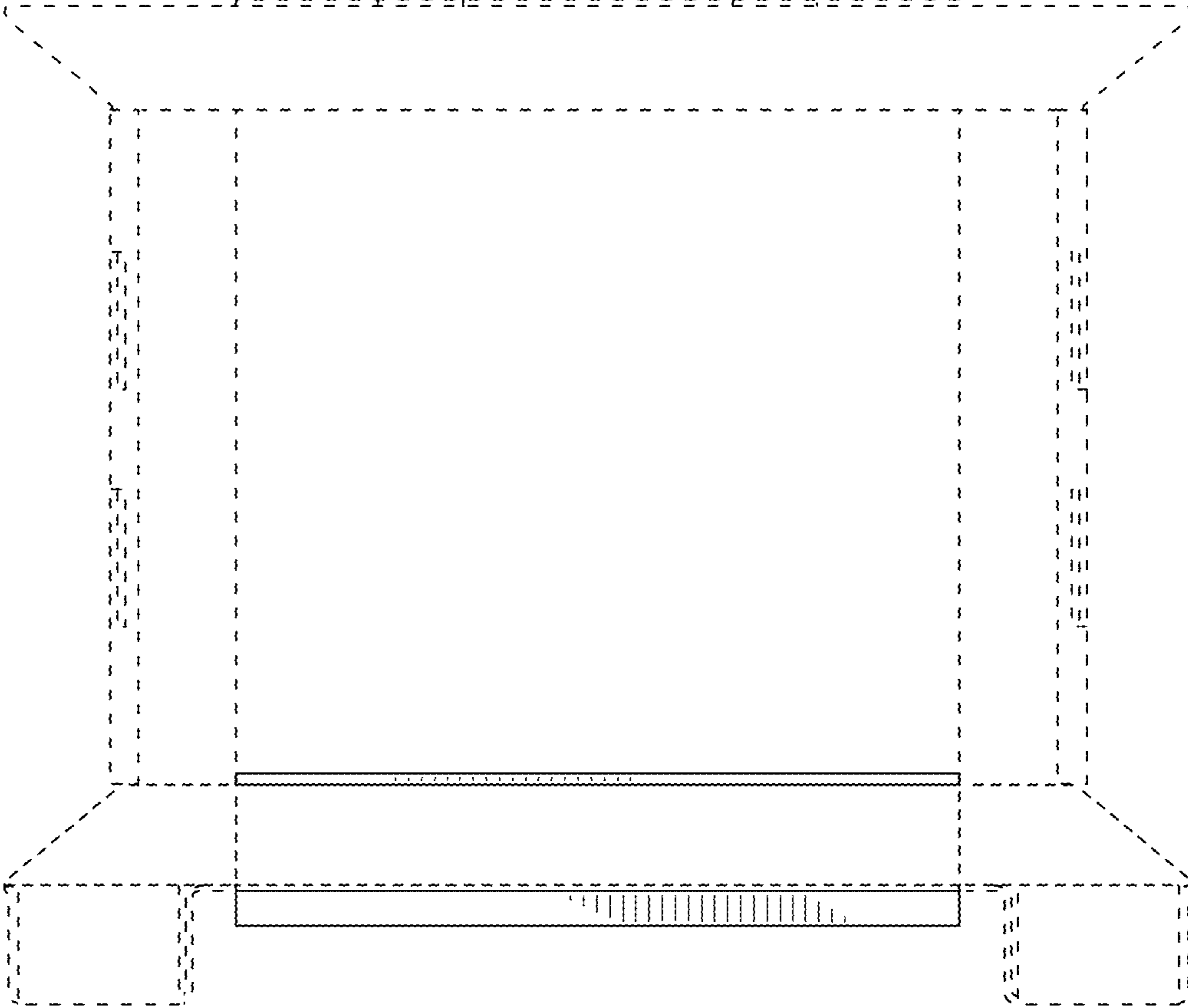


FIG. 3

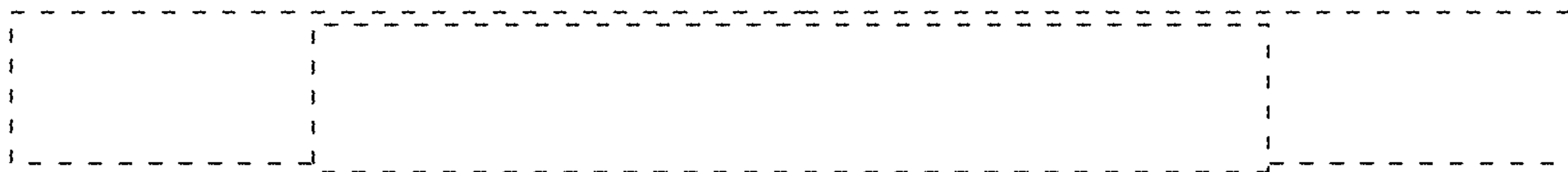


FIG. 4

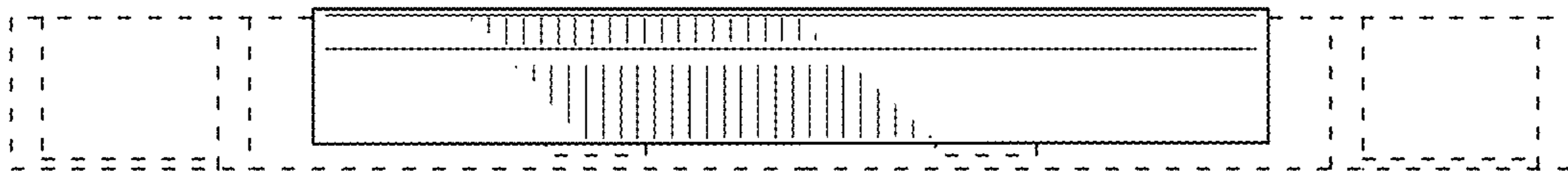


FIG. 5

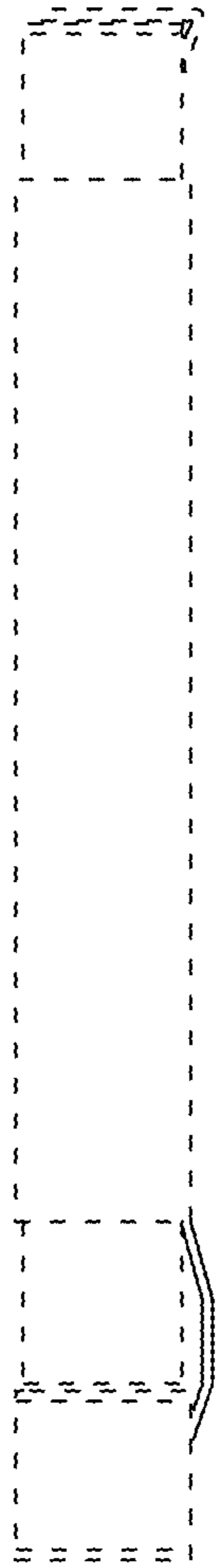


FIG. 6

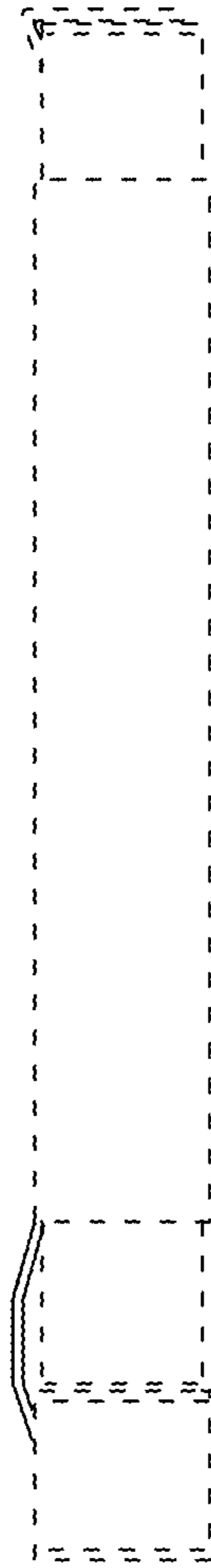


FIG. 7