



US00D769717S

(12) **United States Design Patent** (10) **Patent No.:** **US D769,717 S**  
**Fairchild, Jr.** (45) **Date of Patent:** **\*\* Oct. 25, 2016**

- (54) **INSULATING CUP SLEEVE**
- (71) Applicant: **Huhtamaki, Inc.**, De Soto, KS (US)
- (72) Inventor: **Robert L. Fairchild, Jr.**, Middletown, OH (US)
- (73) Assignee: **HUHTAMAKI, INC.**, De Soto, KS (US)
- (\*\*) Term: **14 Years**
- (21) Appl. No.: **29/509,261**
- (22) Filed: **Nov. 14, 2014**
- (51) **LOC (10) Cl.** ..... **09-05**
- (52) **U.S. Cl.**  
USPC ..... **D9/455**; D7/624.2; D9/434; D9/435
- (58) **Field of Classification Search**  
USPC ..... D7/509-511, 601-608, 612, 615, 619.1, D7/624.1, 624.2, 624.3, 387, 396.1, 396.2; D9/430, 433, 455, 500, 501, 702, 703, D9/711, 715, 716, 754; D34/1, 7, 10, 11, D34/39; D3/202; 215/11.6, 12.1, 12.2, 13.1, 215/379, 381-358; 220/592.16, 592.17, 220/660, 669-670, 737-739, 903; 229/400-403  
CPC ..... B65D 1/22; B65D 1/26; B65D 1/265; B65D 3/06; B65D 81/38; B29C 57/125; B29C 61/02; B29C 63/06  
See application file for complete search history.

- (56) **References Cited**  
U.S. PATENT DOCUMENTS  
D253,872 S \* 1/1980 Reynolds ..... D7/523  
D256,669 S \* 9/1980 Mitchell ..... D9/428  
4,872,569 A \* 10/1989 Bolte ..... A47G 19/22  
215/12.1  
5,385,260 A \* 1/1995 Gatcomb ..... B65D 3/06  
229/400  
5,628,453 A \* 5/1997 MacLaughlin ..... B65D 1/265  
220/739  
D386,047 S \* 11/1997 Jarvis ..... D7/523  
6,010,062 A \* 1/2000 Shimono ..... B29C 57/125  
229/4.5

- D454,034 S \* 3/2002 McLaughlin ..... D7/607
  - 6,367,652 B1 \* 4/2002 Toida ..... B65D 25/2811  
220/592.16
  - D468,203 S \* 1/2003 Gittins ..... D9/424
  - D552,930 S \* 10/2007 Huffman ..... D7/523
  - D559,623 S \* 1/2008 Schellenberg ..... D7/510
  - D590,211 S \* 4/2009 Mancha, Jr. .... D7/607
  - D590,212 S \* 4/2009 Mancha, Jr. .... D7/607
- (Continued)

**OTHER PUBLICATIONS**

Brewzy\_Announced Jul. 20, 2014 [online], site visited [Feb. 12, 2016]. Available from Internet URL: [http://logoit.com/Item/beer-cozies/pint-glass-cozies/pint-sleeve-scuba-foam.\\*](http://logoit.com/Item/beer-cozies/pint-glass-cozies/pint-sleeve-scuba-foam.*)

(Continued)

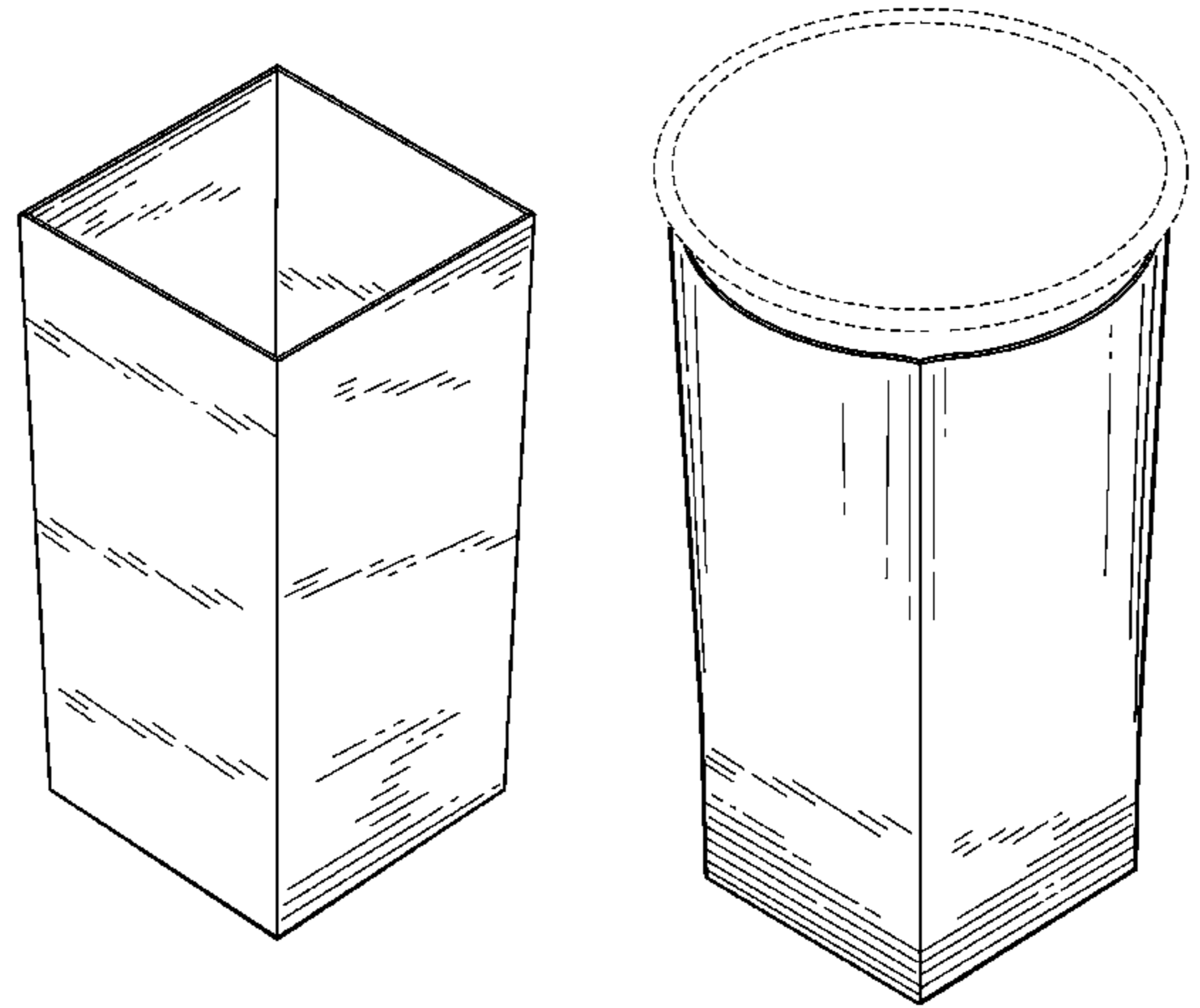
*Primary Examiner* — Thomas Johannes  
*Assistant Examiner* — Catherine Posthauer  
(74) *Attorney, Agent, or Firm* — Husch Blackwell LLP

(57) **CLAIM**  
The ornamental design for an insulating cup sleeve, as shown and described.

**DESCRIPTION**

FIG. 1 is a perspective view of an insulating cup sleeve; FIG. 2 is a side elevation view thereof; FIG. 3 is a top plan view thereof; FIG. 4 is a bottom plan view thereof; FIG. 5 is an exploded perspective view showing the insulating cup sleeve in a usage environment with a cup, forming no part of the claim; FIG. 6 is a perspective view showing the insulating cup sleeve in an alternate usage environment; FIG. 7 is a side view thereof; FIG. 8 is a top view thereof; and, FIG. 9 is a bottom view thereof. The broken lines are shown for the purpose of illustrating environmental subject matter and parts of the article that form no part of the claimed design.

**1 Claim, 6 Drawing Sheets**



(56)

**References Cited**

U.S. PATENT DOCUMENTS

7,552,841 B2 \* 6/2009 Hollis ..... B29C 63/06  
220/703  
D613,612 S \* 4/2010 D'Amato ..... D9/561  
D614,920 S \* 5/2010 Dobbin ..... D7/624.2  
D624,788 S \* 10/2010 Koennecke ..... D7/509  
7,828,199 B2 \* 11/2010 Robertson ..... B65D 81/3874  
220/592.2  
D653,088 S \* 1/2012 Hansen ..... D7/624.1  
D659,472 S \* 5/2012 D'Amato ..... D7/509  
D682,088 S \* 5/2013 de Urquijo Carmona .... D9/428  
D720,576 S \* 1/2015 Dresner ..... D7/624.2

D720,963 S \* 1/2015 Jarvis ..... D7/523  
D740,613 S \* 10/2015 Crosby ..... D7/531  
2003/0015582 A1 \* 1/2003 Handel ..... B29C 61/02  
229/403  
2016/0137389 A1 \* 5/2016 Fairchild, Jr. .... B65D 81/3876  
220/739

OTHER PUBLICATIONS

Brewzy Solo Cup Sleeve: Announced Jul. 20, 2014 [online], site visited [Feb. 12, 2016]. Available from Internet URL: <http://logoit.com/Item/beer-cozies/pint-glass-cozies/pint-sleeve-scuba-foam>.\*

\* cited by examiner

FIG. 1

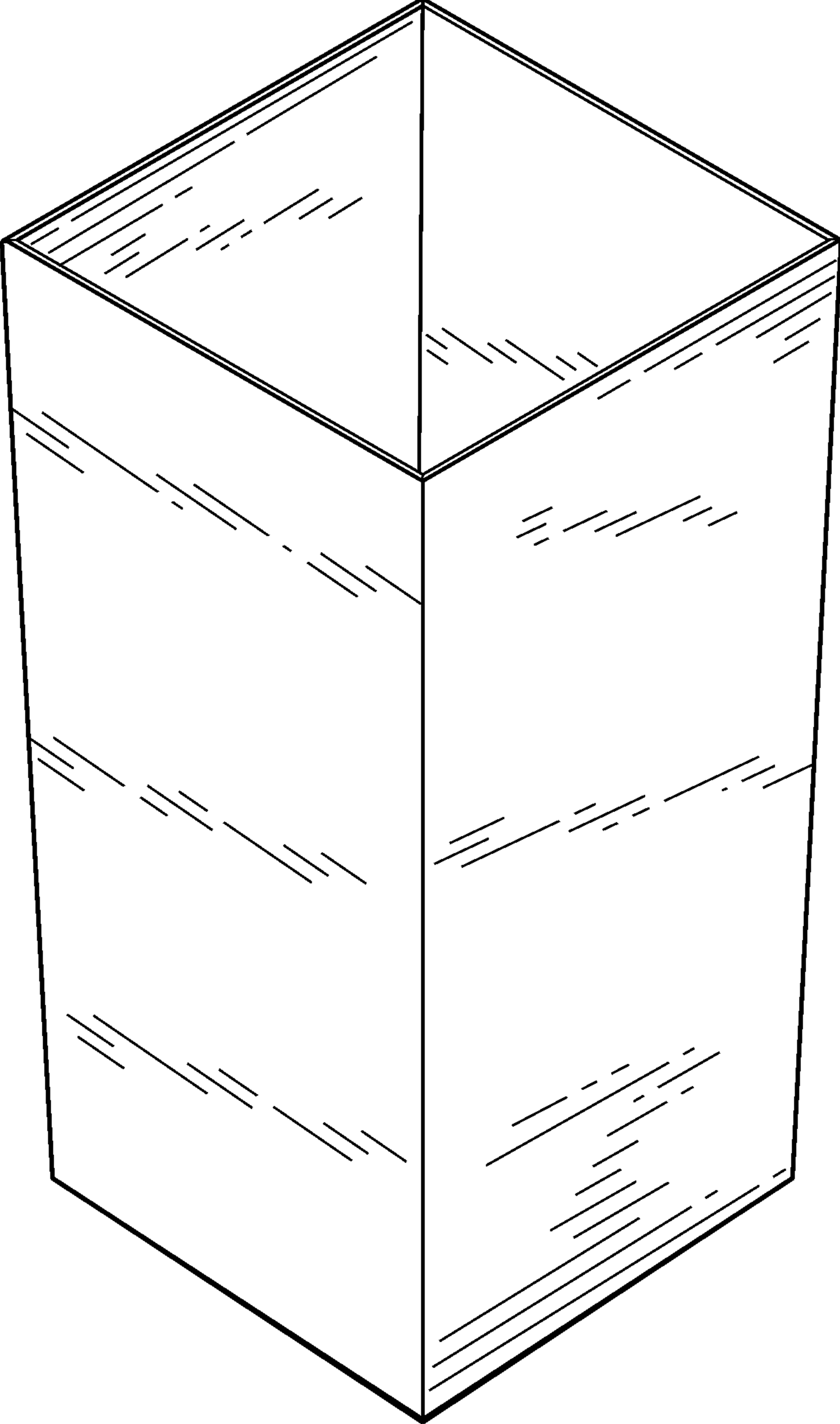


FIG. 2

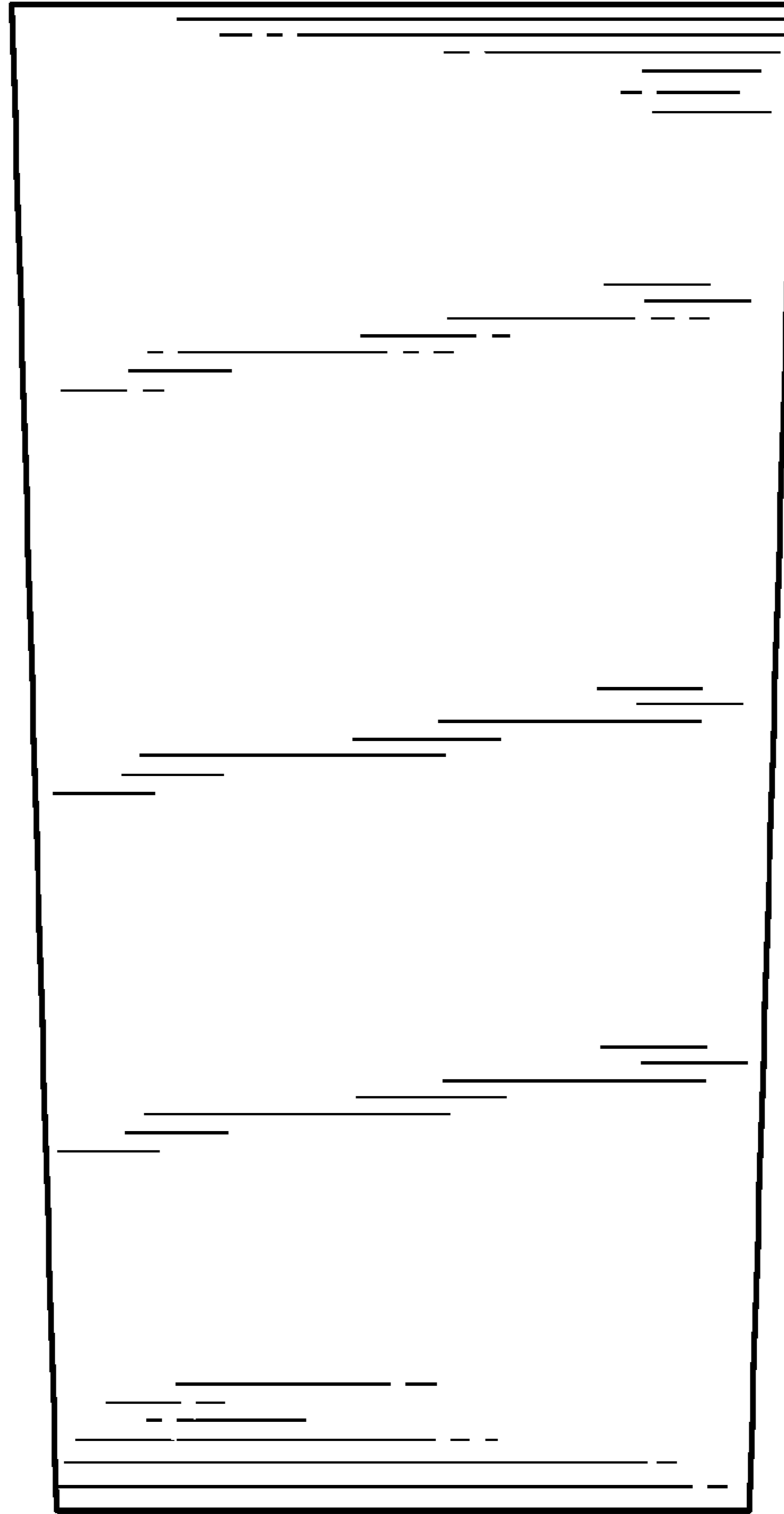


FIG. 3

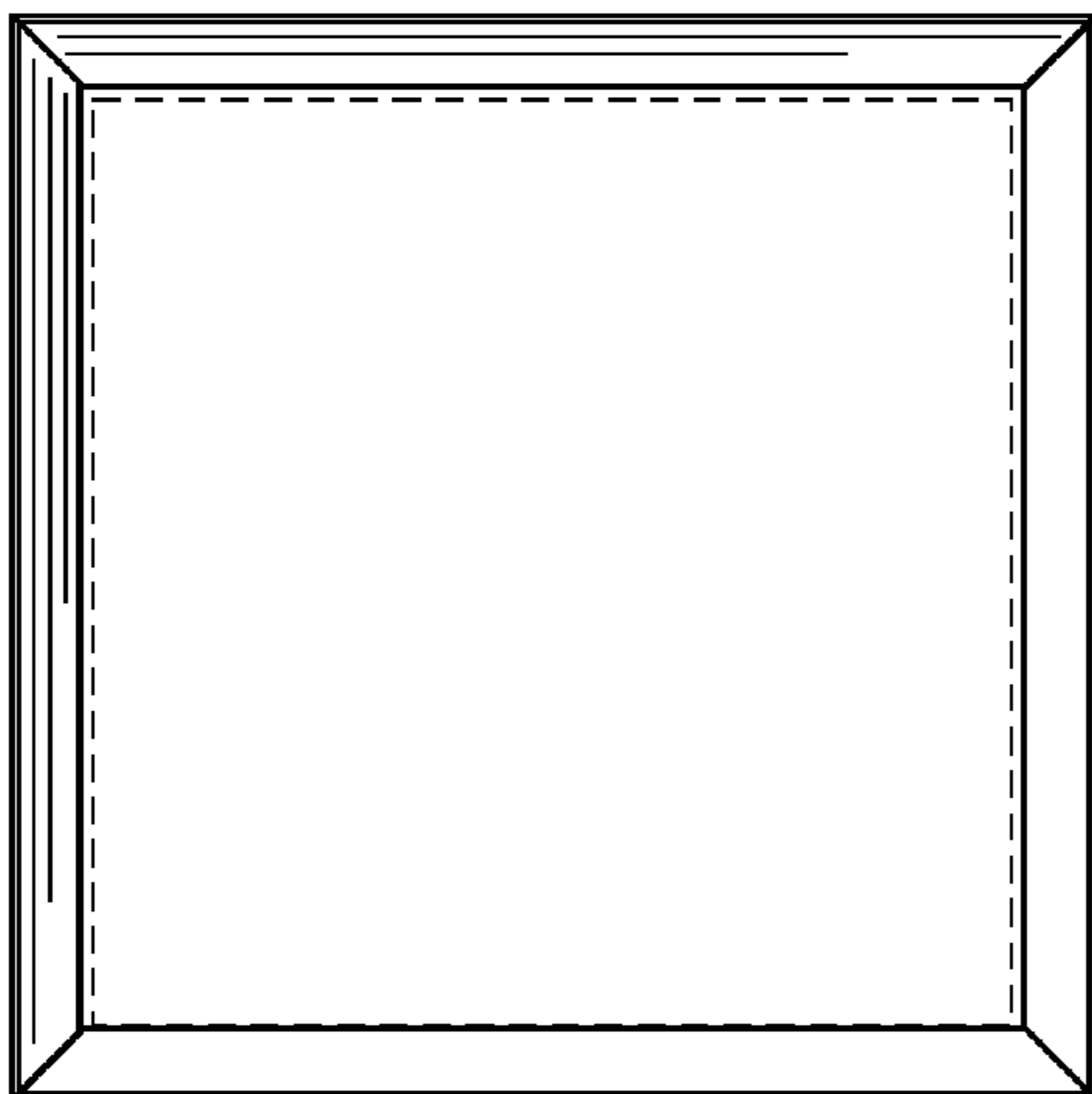


FIG. 4

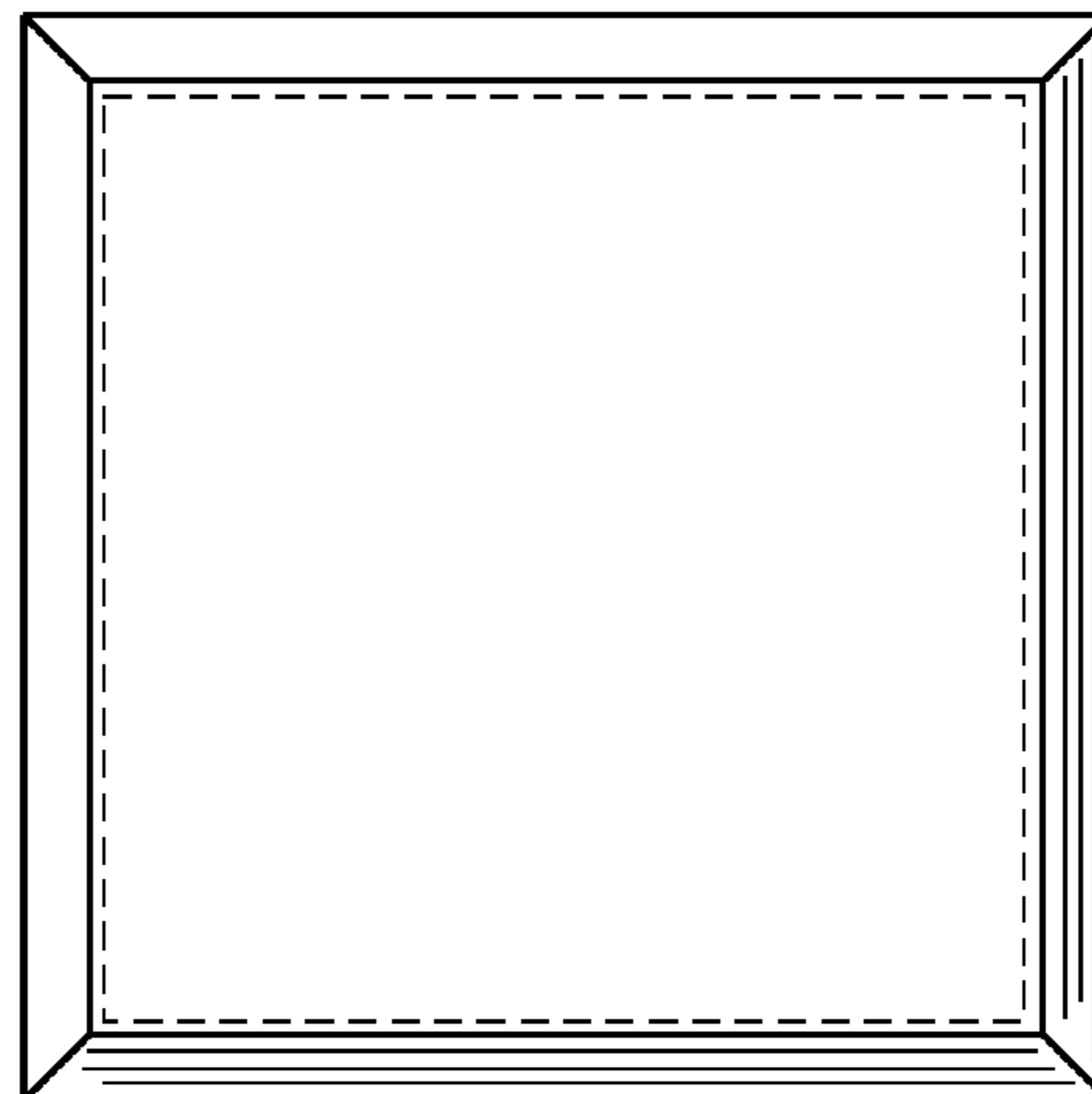


FIG. 5

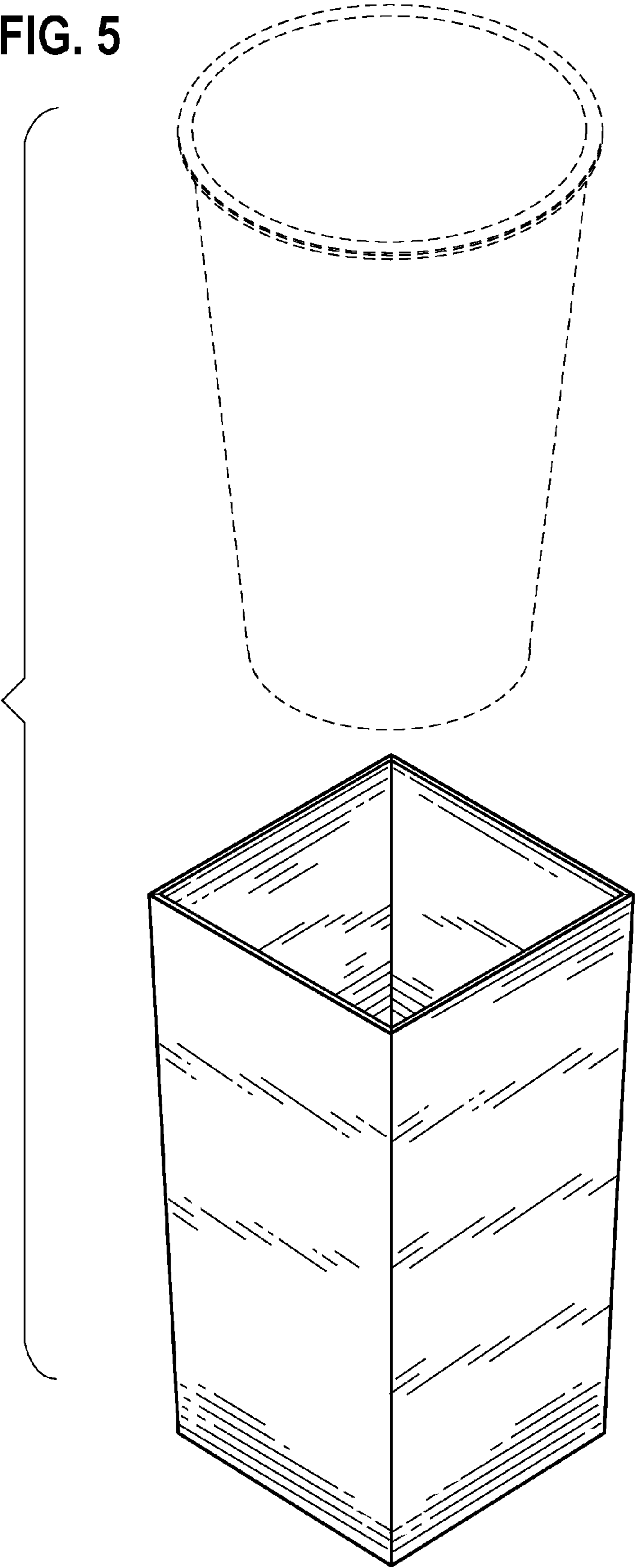
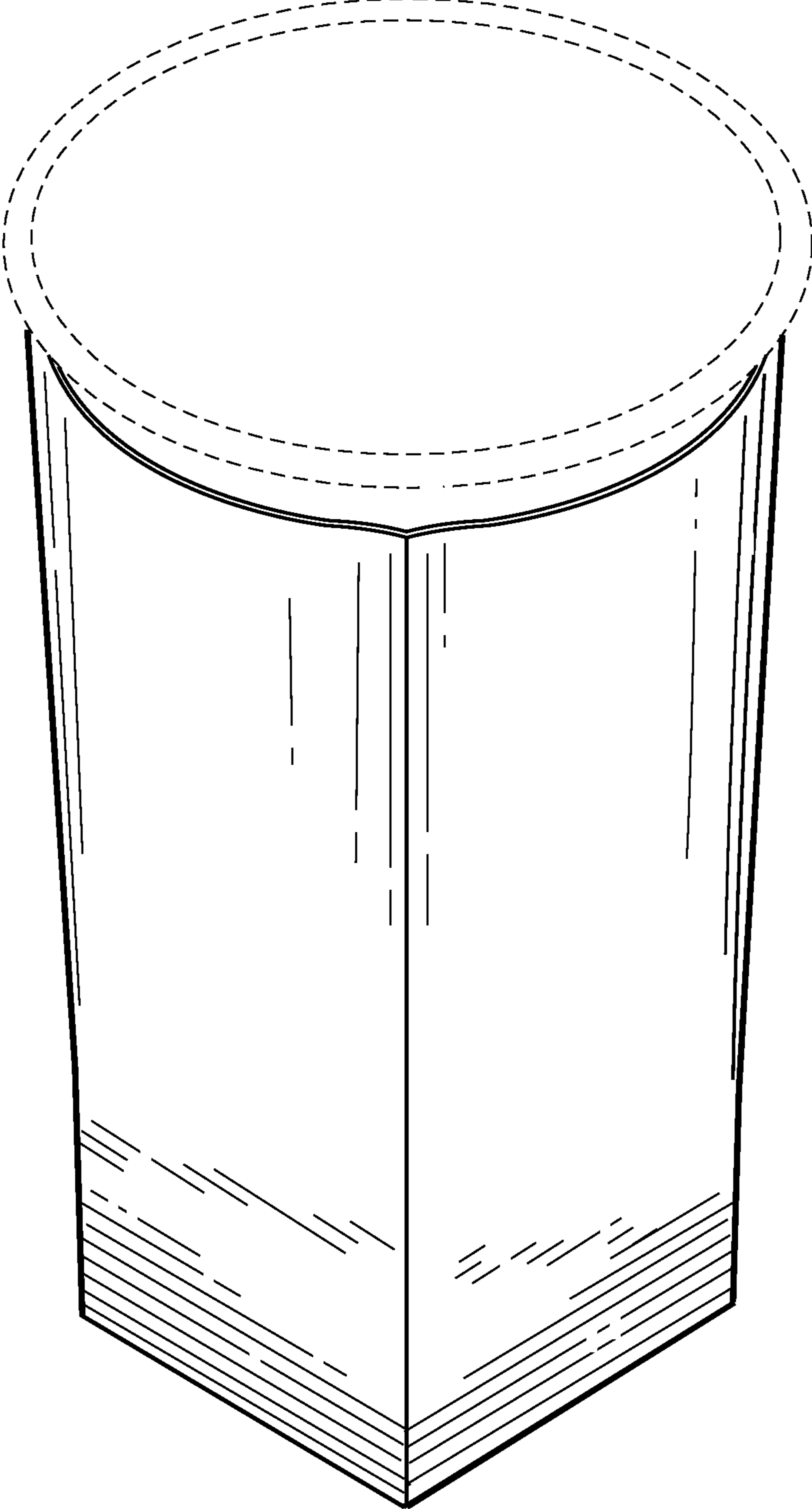
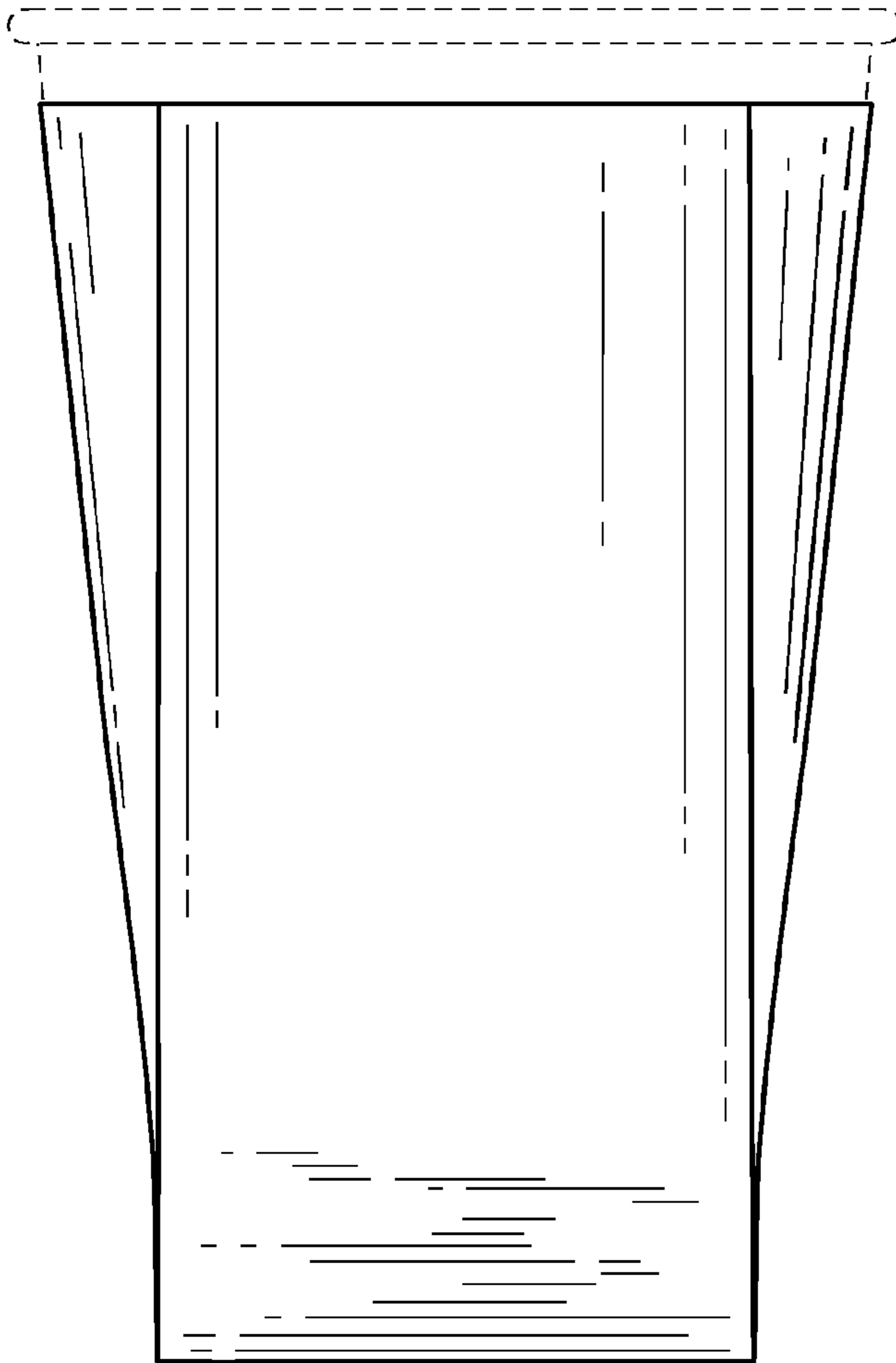


FIG. 6



**FIG. 7**



**FIG. 8**

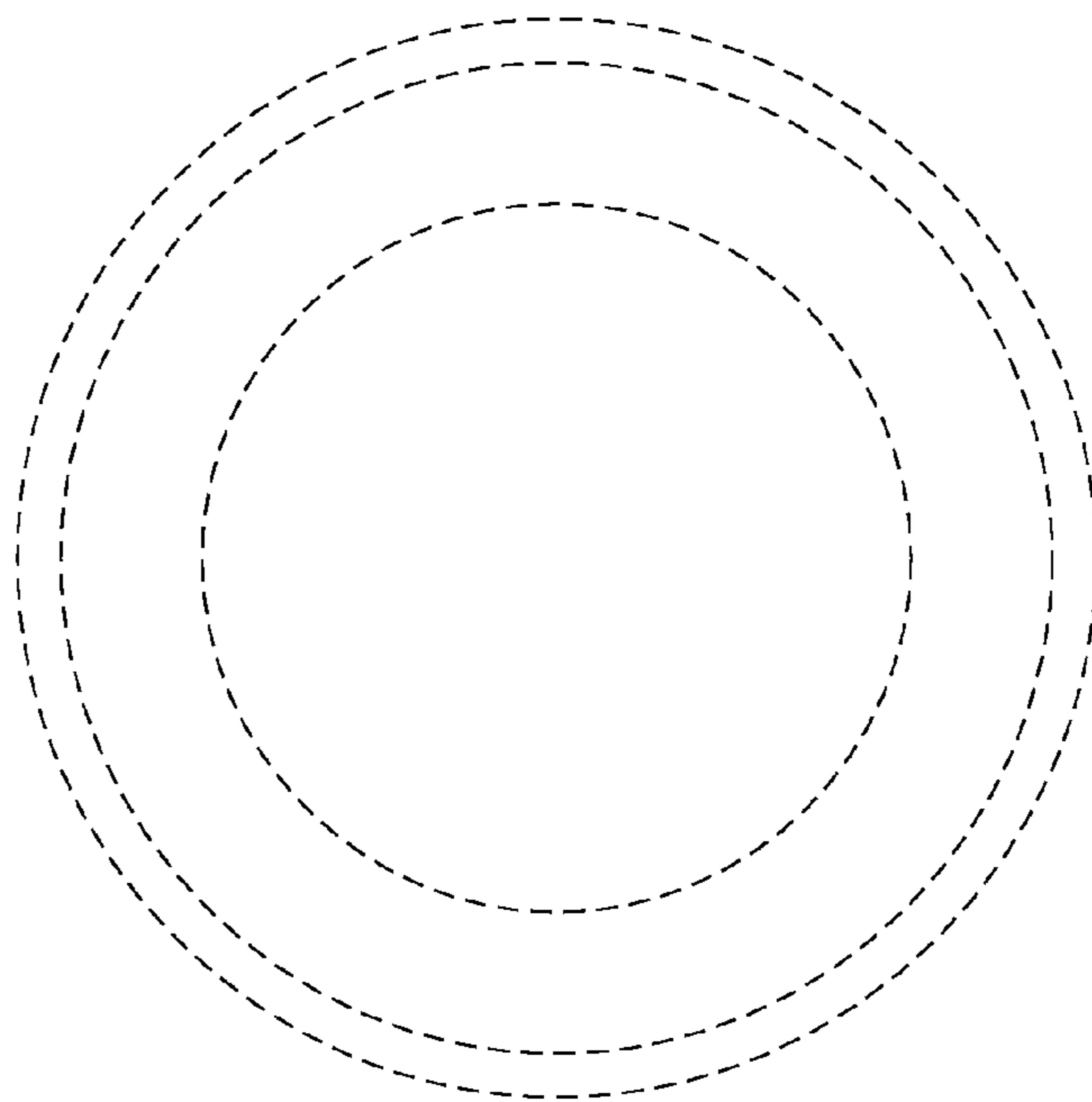


FIG. 9

