



US00D769716S

(12) **United States Design Patent**  
**Cameron et al.**

(10) **Patent No.:** **US D769,716 S**

(45) **Date of Patent:** **\*\* Oct. 25, 2016**

- (54) **LID**
- (71) Applicant: **Zmach LLC**, Plymouth, MN (US)
- (72) Inventors: **Michael A. Cameron**, Plymouth, MN (US); **Daniel J. Zilverberg**, St. Louis Park, MN (US)
- (73) Assignee: **Zmach LLC**, Plymouth, MN (US)
- (\*\*) Term: **15 Years**
- (21) Appl. No.: **29/540,828**
- (22) Filed: **Sep. 28, 2015**
- (51) **LOC (10) Cl.** ..... **09-03**
- (52) **U.S. Cl.**  
USPC ..... **D9/451; D9/454**
- (58) **Field of Classification Search**  
USPC ..... D9/600, 652, 668, 500-505, 516, D9/434-454; 206/457, 494, 459.5, 527, 206/540, 890; 229/116.1; 446/77; 215/381-384, 400; D7/514-516, 539, D7/544, 571, 579, 604, 613, 619.2, D7/628-630, 391-392.1; D3/270-271.3; D21/680-681  
CPC ..... B65D 67/00; B65D 81/36; B65D 81/60; B65D 81/368; B65D 2203/00; B65D 2203/02; B65D 51/245; B65D 81/365; B65D 81/366; A63H 33/16  
See application file for complete search history.

D404,303 S *	1/1999	Webster	.....	D9/443
D415,027 S *	10/1999	Blazar	.....	D9/454
D439,290 S *	3/2001	Rojas	.....	D21/680
D473,791 S *	4/2003	Loris	.....	D9/438
D525,869 S *	8/2006	Tedford	.....	D9/452
D567,085 S *	4/2008	Rim	.....	D9/439
D655,162 S *	3/2012	Daniel	.....	D9/445
D730,185 S *	5/2015	Blanco	.....	D9/439

\* cited by examiner

*Primary Examiner* — Sandra Morris

(74) *Attorney, Agent, or Firm* — Christensen Fonder P.A.

(56) **References Cited**  
U.S. PATENT DOCUMENTS

D292,676 S *	11/1987	Mileto	.....	D9/454
D298,719 S *	11/1988	Beckerer, Jr.	.....	D7/624.2

(57) **CLAIM**

We claim the ornamental design for lid, as shown and described.

**DESCRIPTION**

FIG. 1 is a front perspective view of a lid according to an embodiment of the invention. The hub portion and spokes appearing identical in an opposite rear perspective view and on lateral side perspective views.

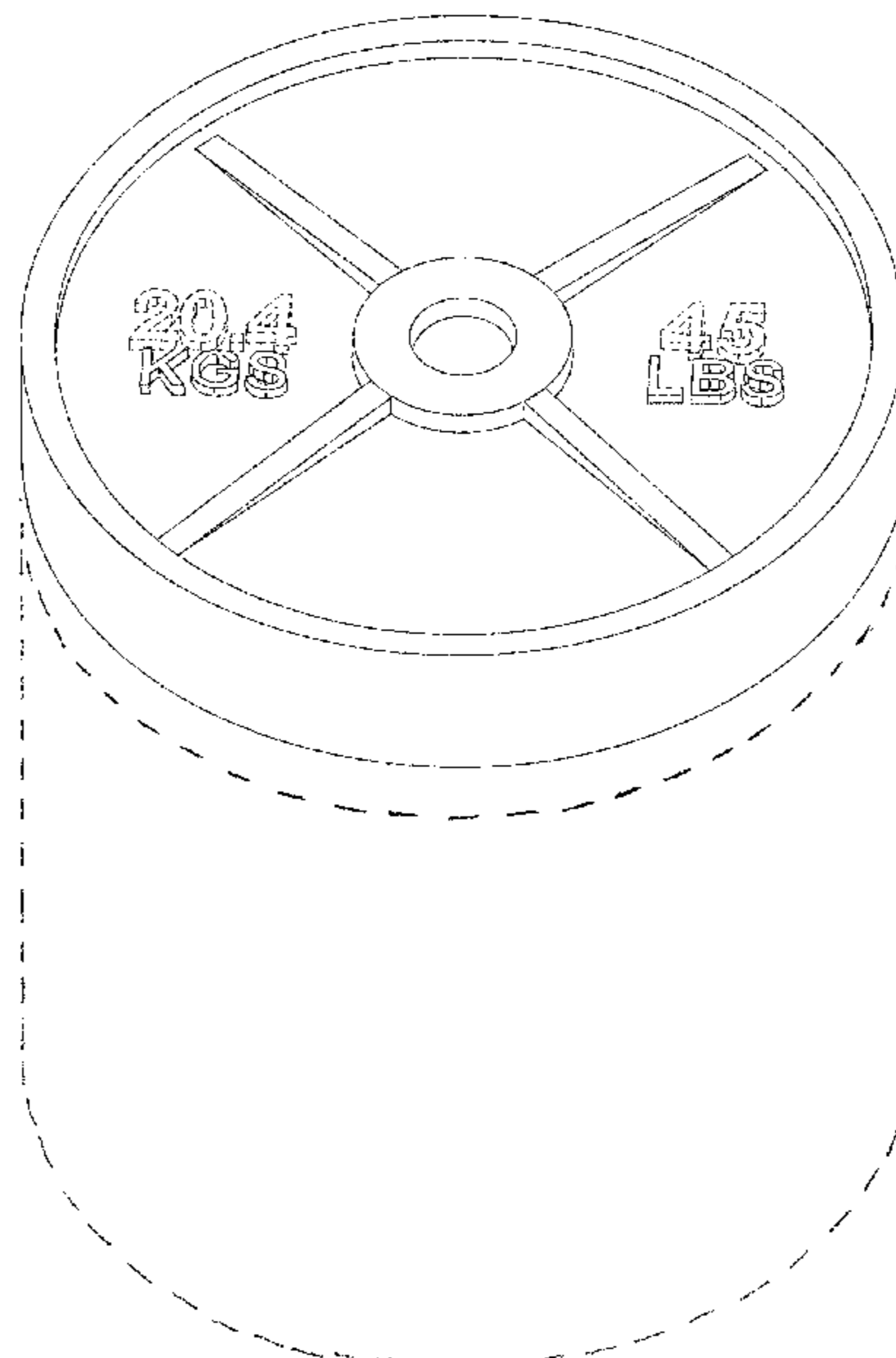
FIG. 2 is a top plan view of the lid; and,

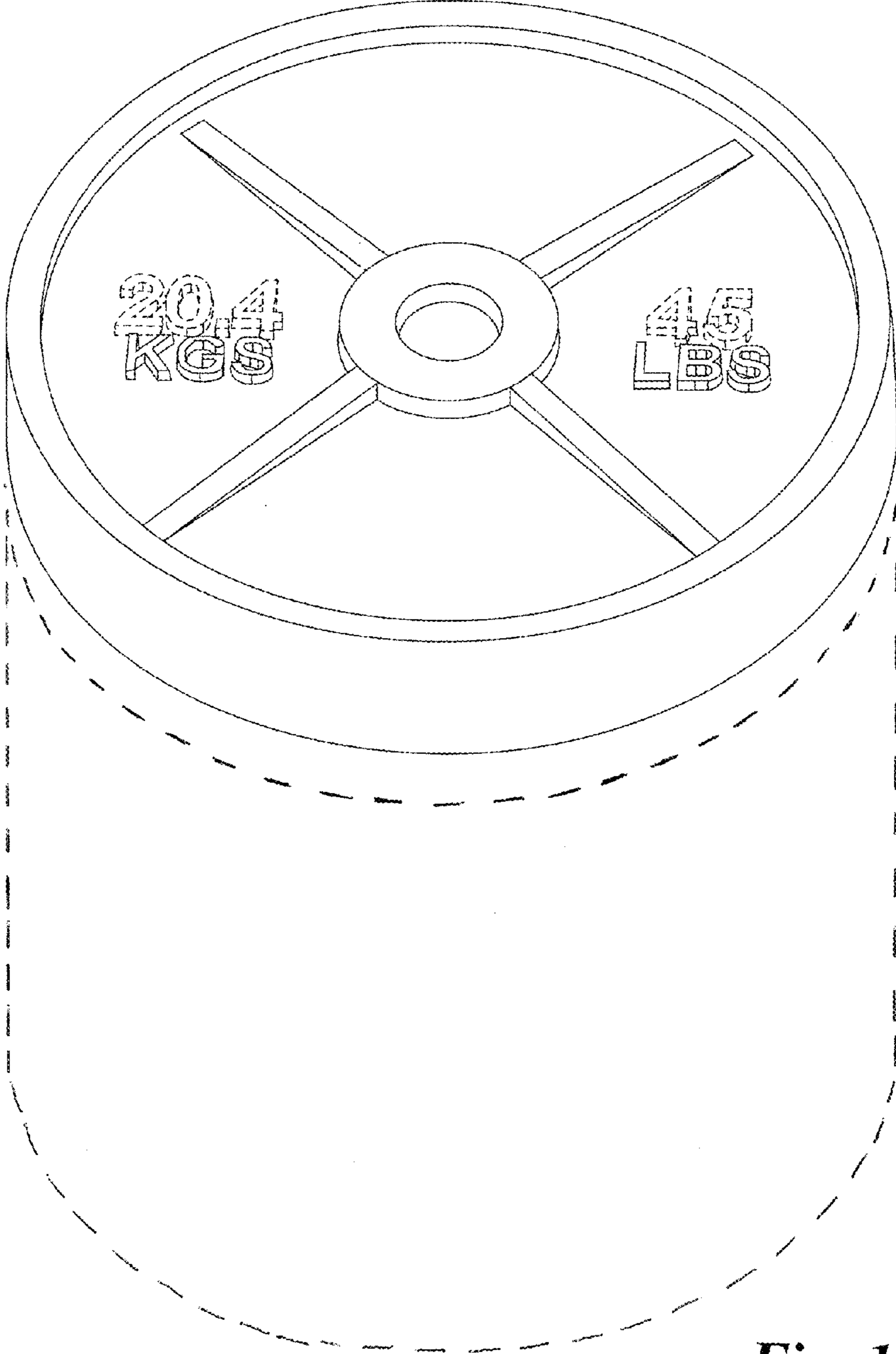
FIG. 3 is a front elevational view of the lid. The lid appearing the same from the elevational views on the rear side and each lateral side.

The bottom side of the lid is not illustrated and is not part of the claimed invention.

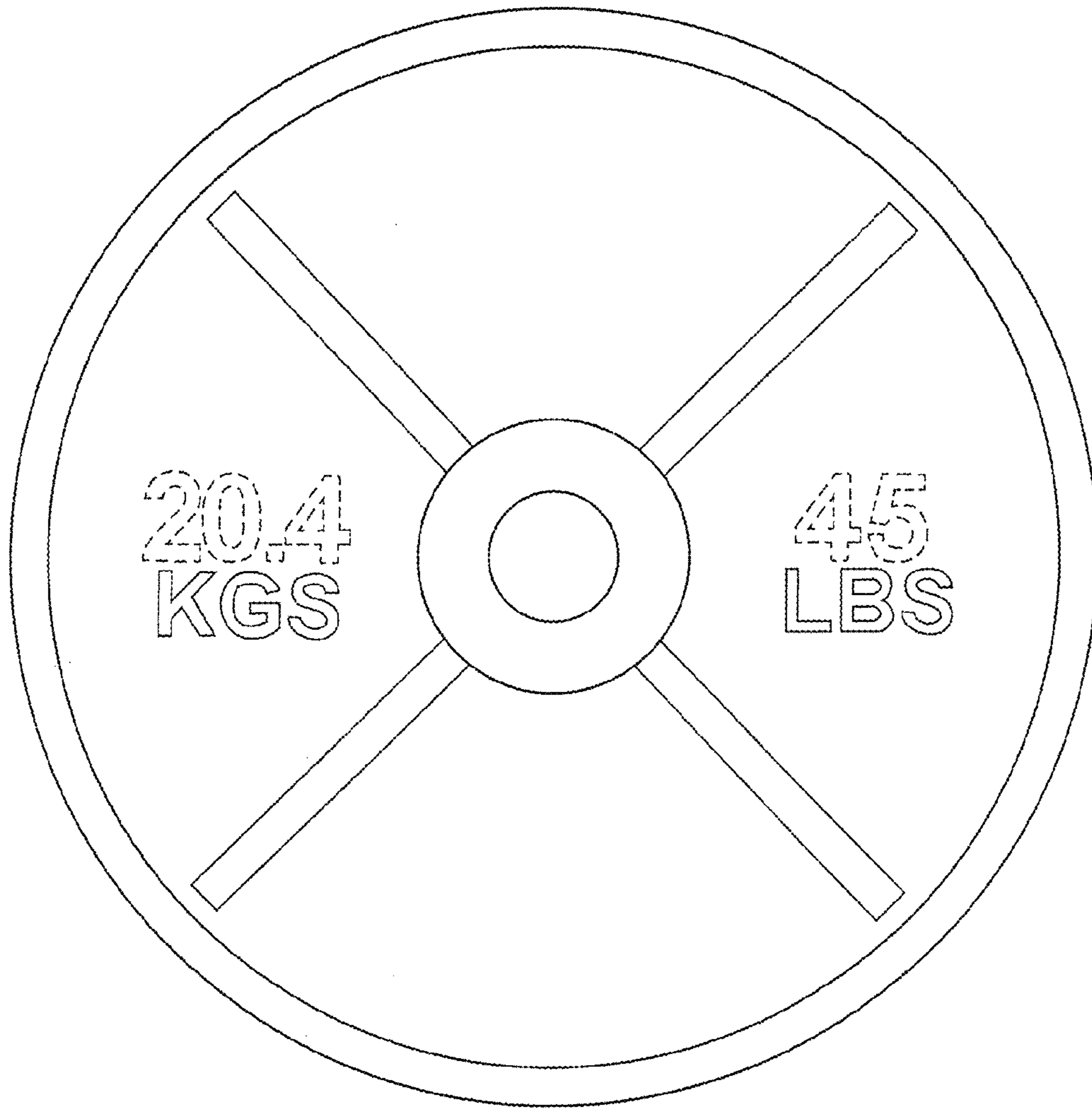
The portions shown in dashed lines are environmental and not part of the claimed invention.

**1 Claim, 3 Drawing Sheets**

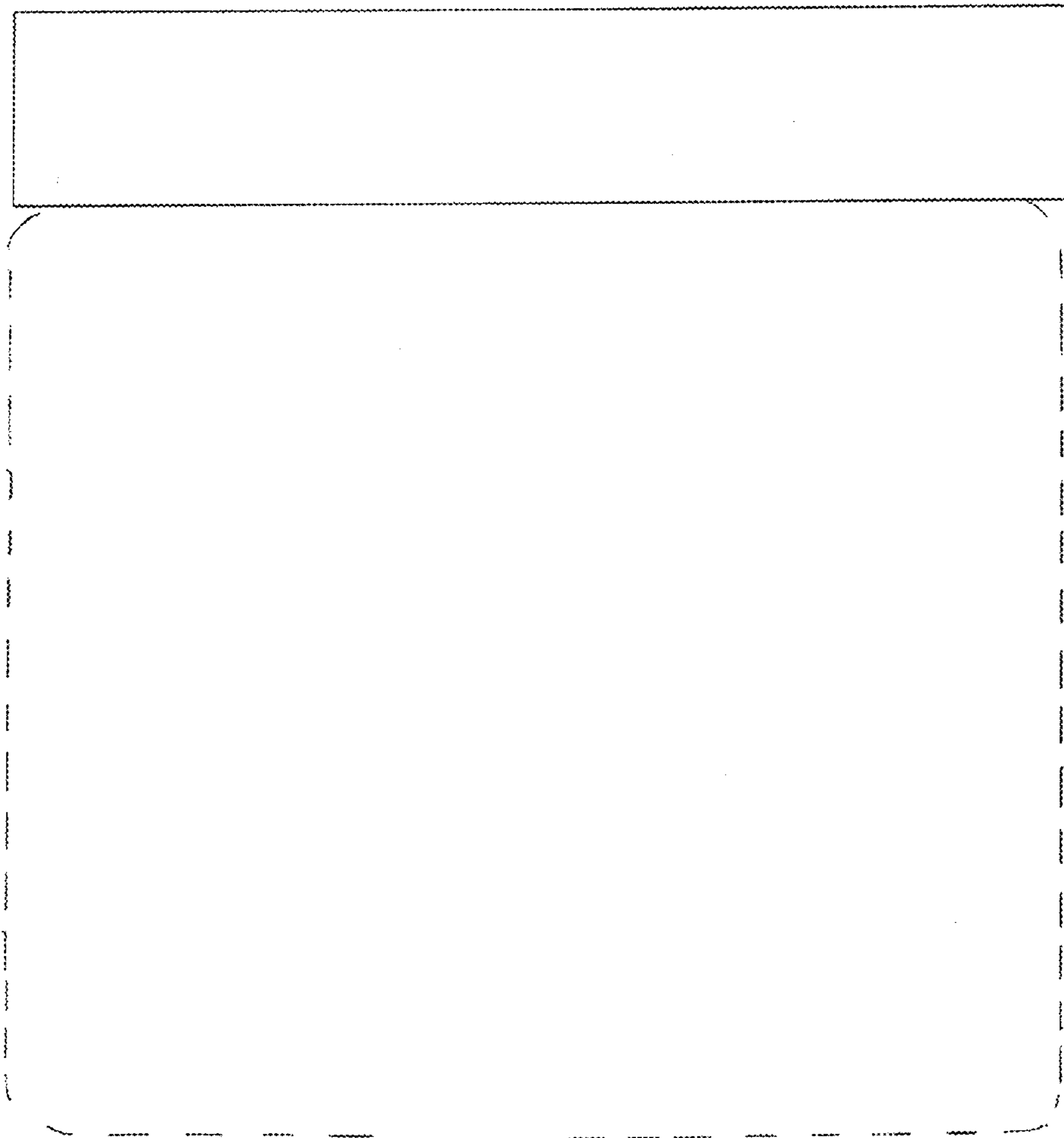




*Fig. 1*



*Fig. 2*



*Fig. 3*