



US00D769715S

(12) **United States Design Patent**
Bois

(10) **Patent No.:** **US D769,715 S**
(45) **Date of Patent:** **** Oct. 25, 2016**

(54) **CLOSURE FOR A CONTAINER**

- (71) Applicant: **Clariant Production (France) SAS**,
Trosly Breuil (FR)
- (72) Inventor: **Dominique Bois**, Choisy le Roi (FR)
- (73) Assignee: **Clairant Production (France) SAS**,
Trusly Brueil (FR)

(**) Term: **14 Years**

(21) Appl. No.: **29/503,016**

(22) Filed: **Sep. 22, 2014**

(30) **Foreign Application Priority Data**

Mar. 21, 2014 (EM) 002429886

(51) **LOC (10) Cl.** **09-07**

(52) **U.S. Cl.**
USPC **D9/449**

(58) **Field of Classification Search**

USPC D9/434-436, 438, 443-450, 452-454,
D9/499; D7/387, 392, 393, 396.2, 510,
D7/511; D3/202, 294, 318; 215/28, 41,
215/201, 216, 224, 230, 235, 237, 243, 249,
215/256, 306, 316, 317, 396; 220/252,
220/254.1, 254.2-254.4, 258.2, 263, 367.1,
220/375, 711, 724, 730, 731, 837, 847;
222/109, 153.1, 153.11, 153.14, 464.1,
222/498, 546, 547, 562, 565, 566, 570, 621
CPC A61J 1/1412; B65D 1/02; B65D 1/323;
B65D 25/40; B65D 41/56; B65D 41/62;
B65D 47/06; B65D 47/08

See application file for complete search history.

(56) **References Cited**

U.S. PATENT DOCUMENTS

D279,651 S 7/1985 Freeman
4,550,844 A 11/1985 Lininger

(Continued)

FOREIGN PATENT DOCUMENTS

WO	D067982-001	4/2006
WO	D069747-001	2/2008
WO	D070355-002	7/2008

OTHER PUBLICATIONS

U.S. Appl. No. 29/471,208, filed Oct. 29, 2013, Logel et al.

(Continued)

Primary Examiner — Karen S Acker

Assistant Examiner — Wendy Arminio

(74) *Attorney, Agent, or Firm* — Knobbe, Martens, Olson
& Bear LLP

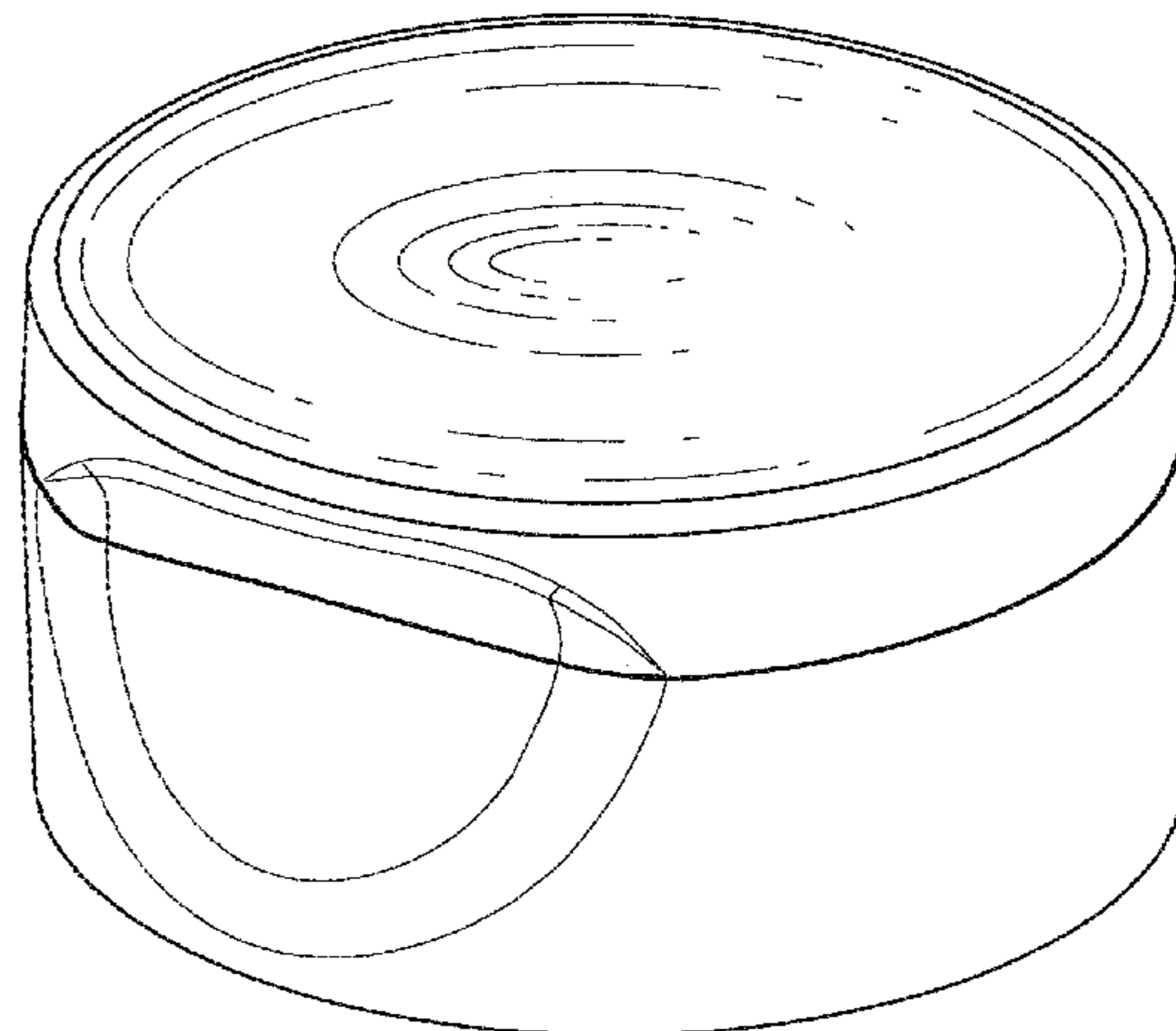
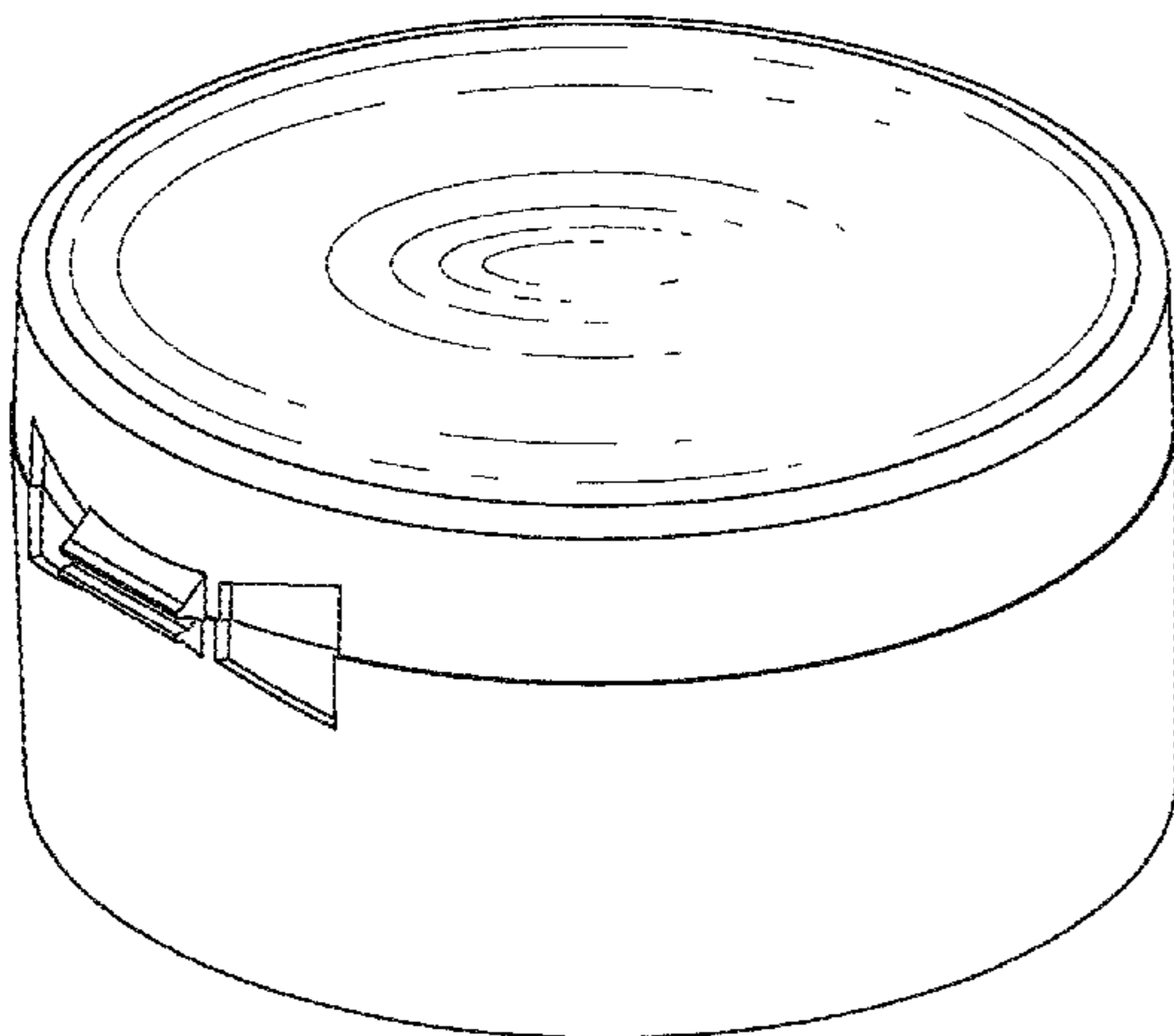
(57) **CLAIM**

The ornamental design for a closure for a container, as shown and described.

DESCRIPTION

FIG. 1 is a front view of the new design;
FIG. 2 is a rear view of the design of FIG. 1;
FIG. 3 is a side view of the design of FIG. 1;
FIG. 4 is a top view of the design of FIG. 1;
FIG. 5 is a perspective rear view of the design of FIG. 1;
FIG. 6 is a perspective front of the design of FIG. 1;
FIG. 7 is a side, part cross-sectional, view of the design of FIG. 1; and,
FIG. 8 is a bottom view of the design of FIG. 1.
The broken lines shown in the drawings depict portions of the closure for a container that form no part of the claimed design.

1 Claim, 6 Drawing Sheets



(56)

References Cited

U.S. PATENT DOCUMENTS

4,981,230 A 1/1991 Marshall et al.
 D401,115 S 11/1998 Huang
 6,056,136 A 5/2000 Taber et al.
 D427,069 S 6/2000 Carter
 D525,136 S * 7/2006 Bakic D28/82
 D530,205 S 10/2006 Lohrman
 D536,974 S * 2/2007 Smith D9/435
 D536,975 S * 2/2007 Smith D9/435
 D543,316 S * 5/2007 Hadtke D28/66
 D577,287 S * 9/2008 Haltom, III D9/436
 D594,747 S * 6/2009 Moretti D9/435
 D599,655 S 9/2009 Friebe et al.
 D604,608 S 11/2009 Lourenco
 D607,726 S * 1/2010 Wisniewski D9/449
 D608,196 S * 1/2010 Beilke D9/449
 D609,568 S * 2/2010 Mazurkiewicz D9/449
 D610,008 S 2/2010 Baughmann
 D640,556 S * 6/2011 Bragg D9/449
 D641,628 S 7/2011 Baughmann
 D644,337 S 8/2011 Belfance et al.
 D644,739 S 9/2011 Belfance et al.
 D644,740 S 9/2011 John et al.
 D654,366 S 2/2012 Presche et al.
 D661,583 S * 6/2012 Santarelli D9/449

D663,202 S * 7/2012 Biesecker D9/449
 D690,200 S * 9/2013 Arand D9/449
 D694,100 S 11/2013 Schneider et al.
 D695,613 S * 12/2013 Miranda De Araujo D9/449
 D713,723 S * 9/2014 den Boer D9/449
 D716,142 S * 10/2014 Luijendijk D9/447
 D729,010 S 5/2015 Logel et al.
 2005/0252878 A1 11/2005 Babcock
 2009/0159552 A1* 6/2009 Cano-Pey B65D 47/0828
 215/235
 2010/0224646 A1 9/2010 Incorvia et al.
 2010/0282783 A1 11/2010 Baughman et al.

OTHER PUBLICATIONS

U.S. Appl. No. 29/490,099, filed May 6, 2014, Lebon.
 U.S. Appl. No. 29/490,104, filed May 6, 2014, Lebon.
 U.S. Appl. No. 29/490,108, filed May 6, 2014, Lebon.
 U.S. Appl. No. 29/489,583, filed Apr. 30, 2014, Logel et al.
 U.S. Appl. No. 29/503,018, filed Sep. 22, 2014, Bois.
 U.S. Appl. No. 29/506,432, filed Oct. 15, 2014, Logel et al.
 U.S. Appl. No. 29/506,437, filed Oct. 15, 2014, Logel et al.
 U.S. Appl. No. 29/506,653, filed Oct. 29, 2014, Logel et al.
 U.S. Appl. No. 29/512,222, filed Dec. 17, 2014, Bois.
 U.S. Appl. No. 29/518,762, filed Feb. 26, 2015, Lebon.

* cited by examiner

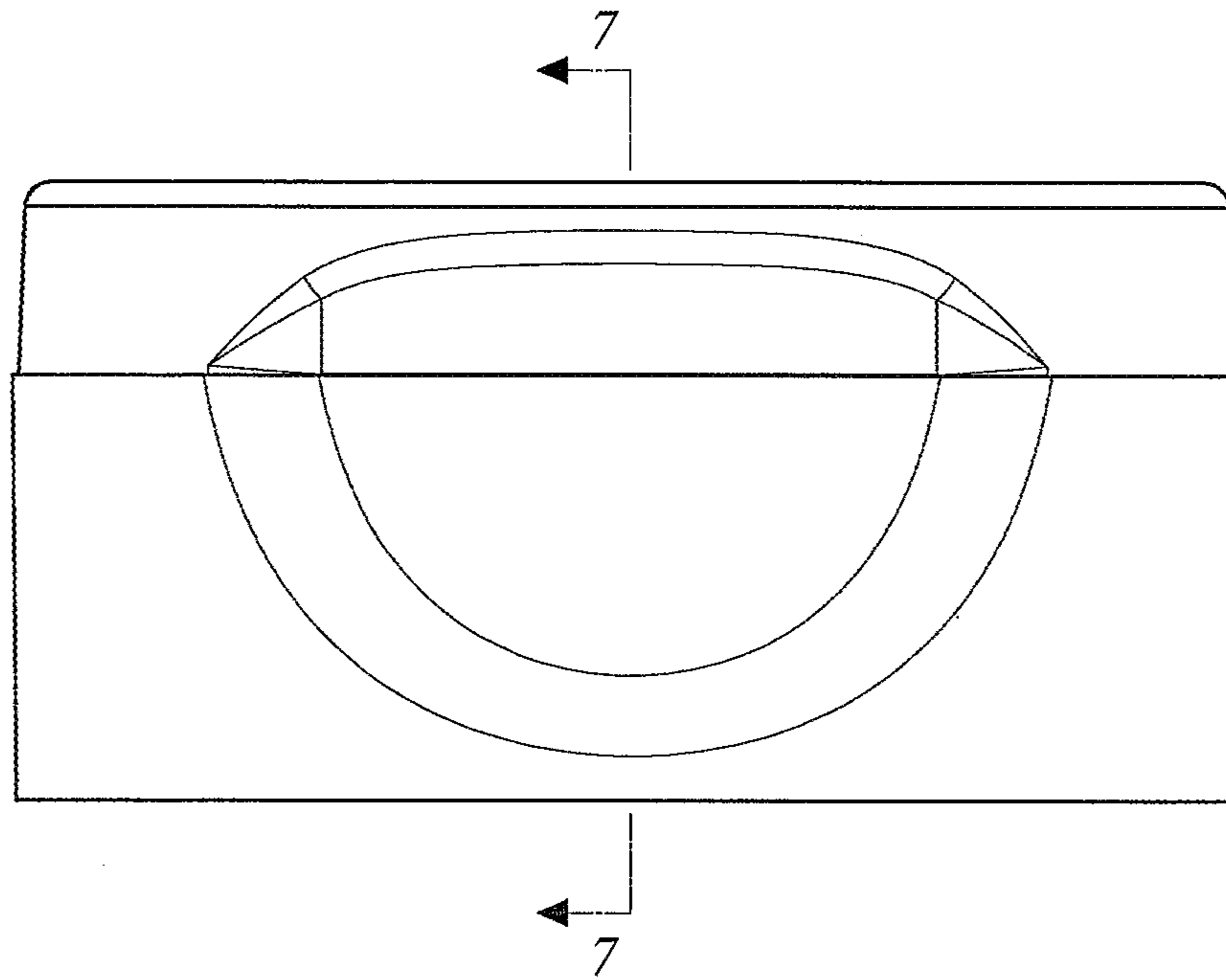


FIG. 1

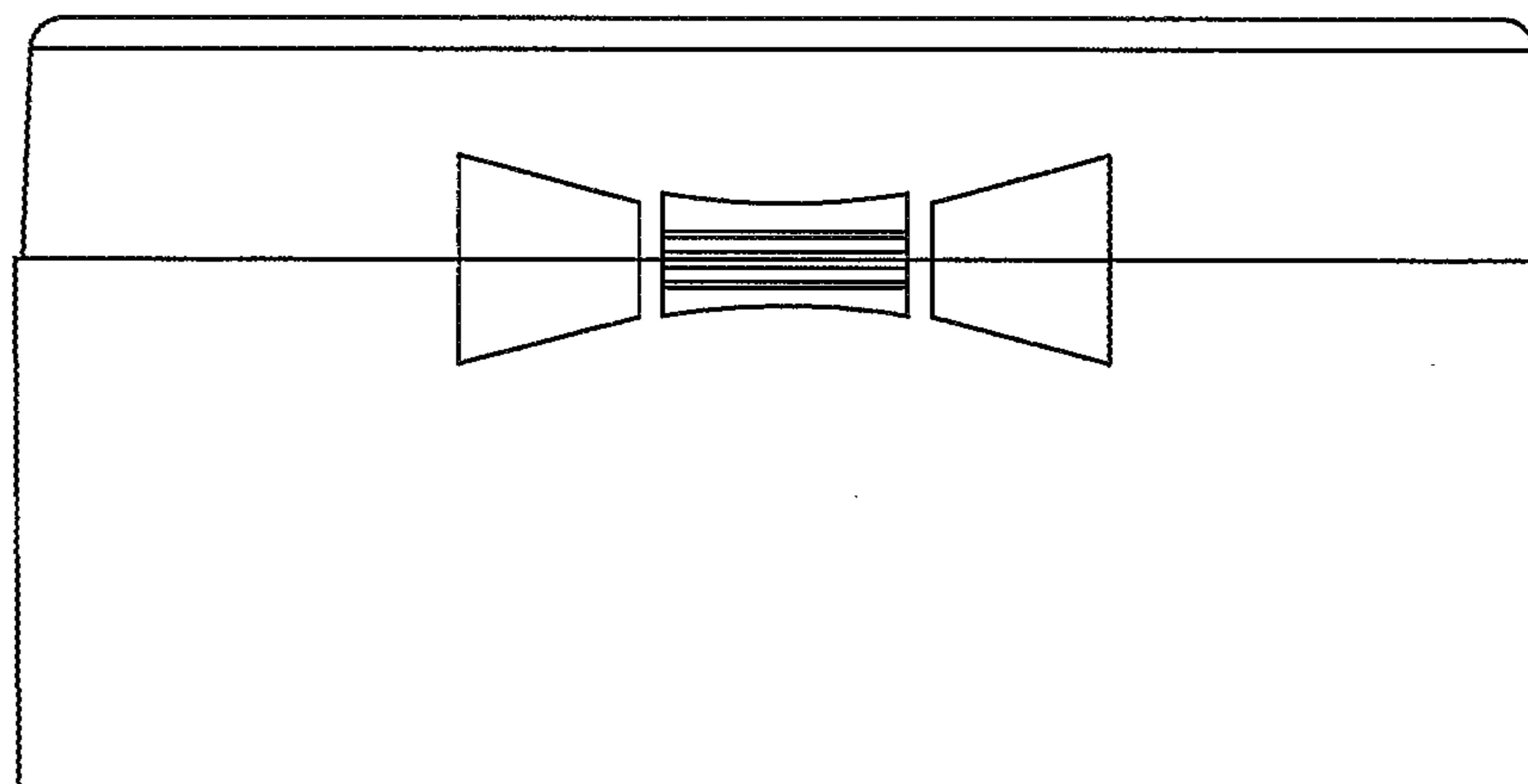


FIG. 2

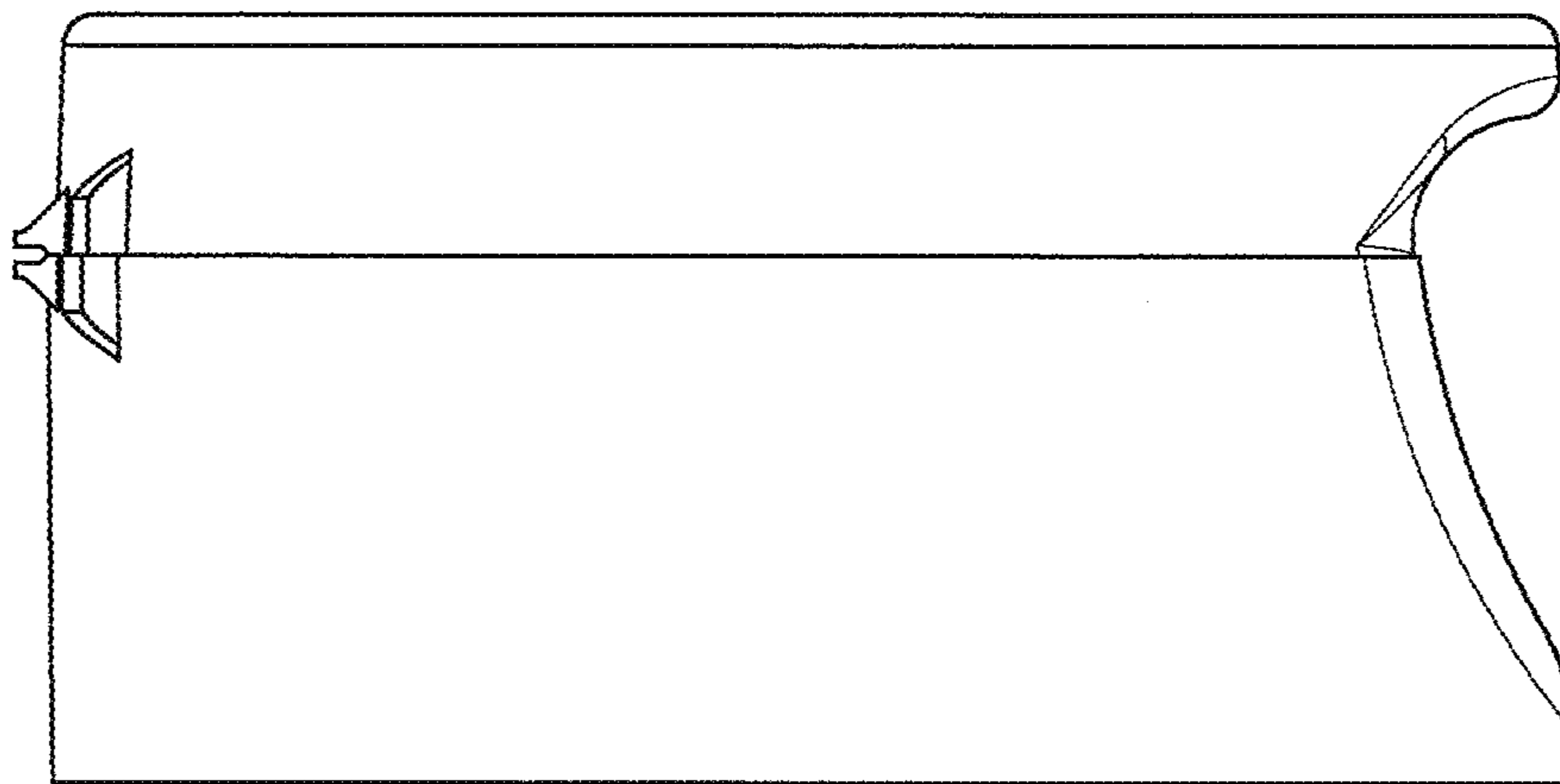


FIG. 3

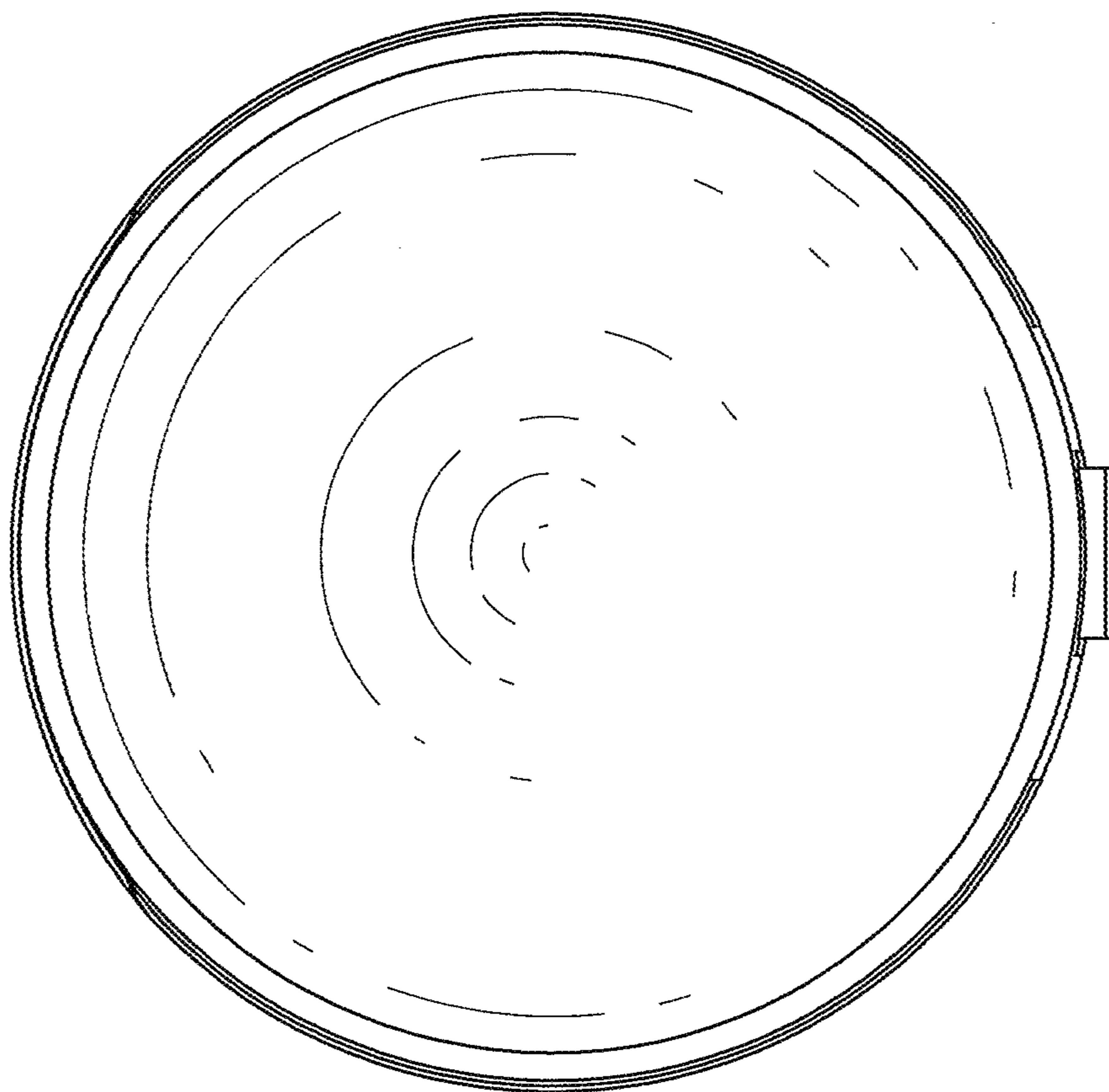


FIG. 4

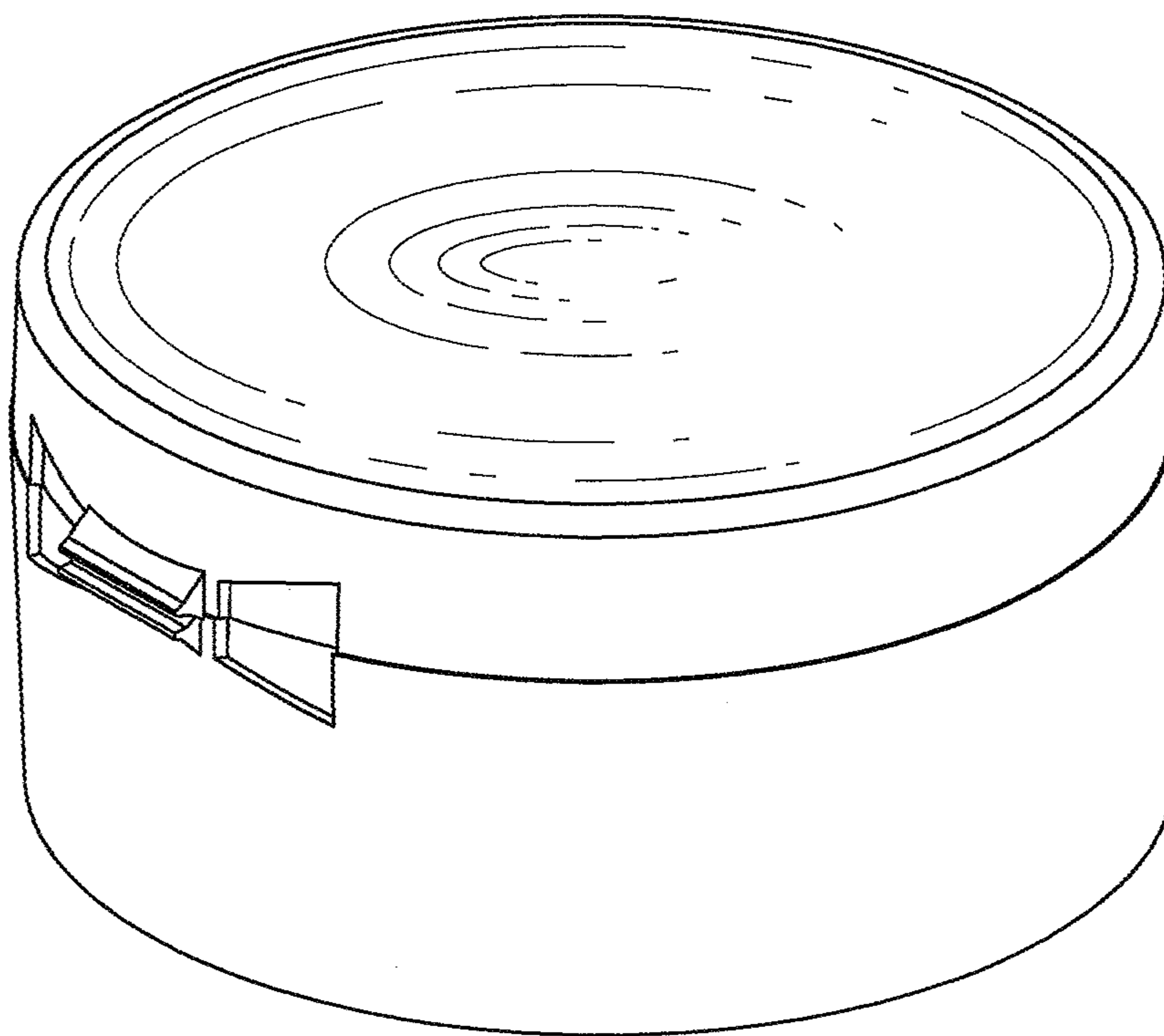


FIG. 5

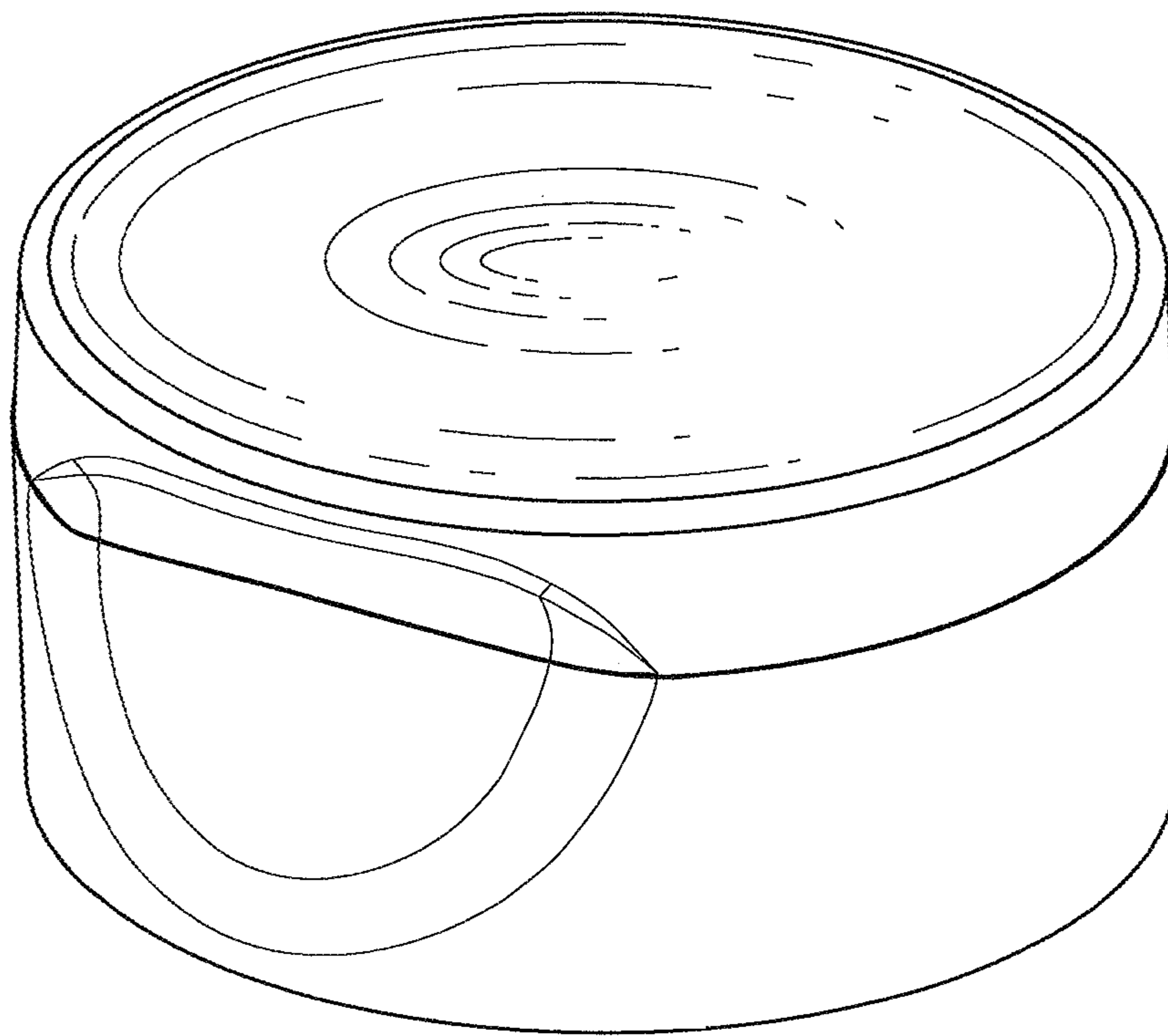


FIG. 6

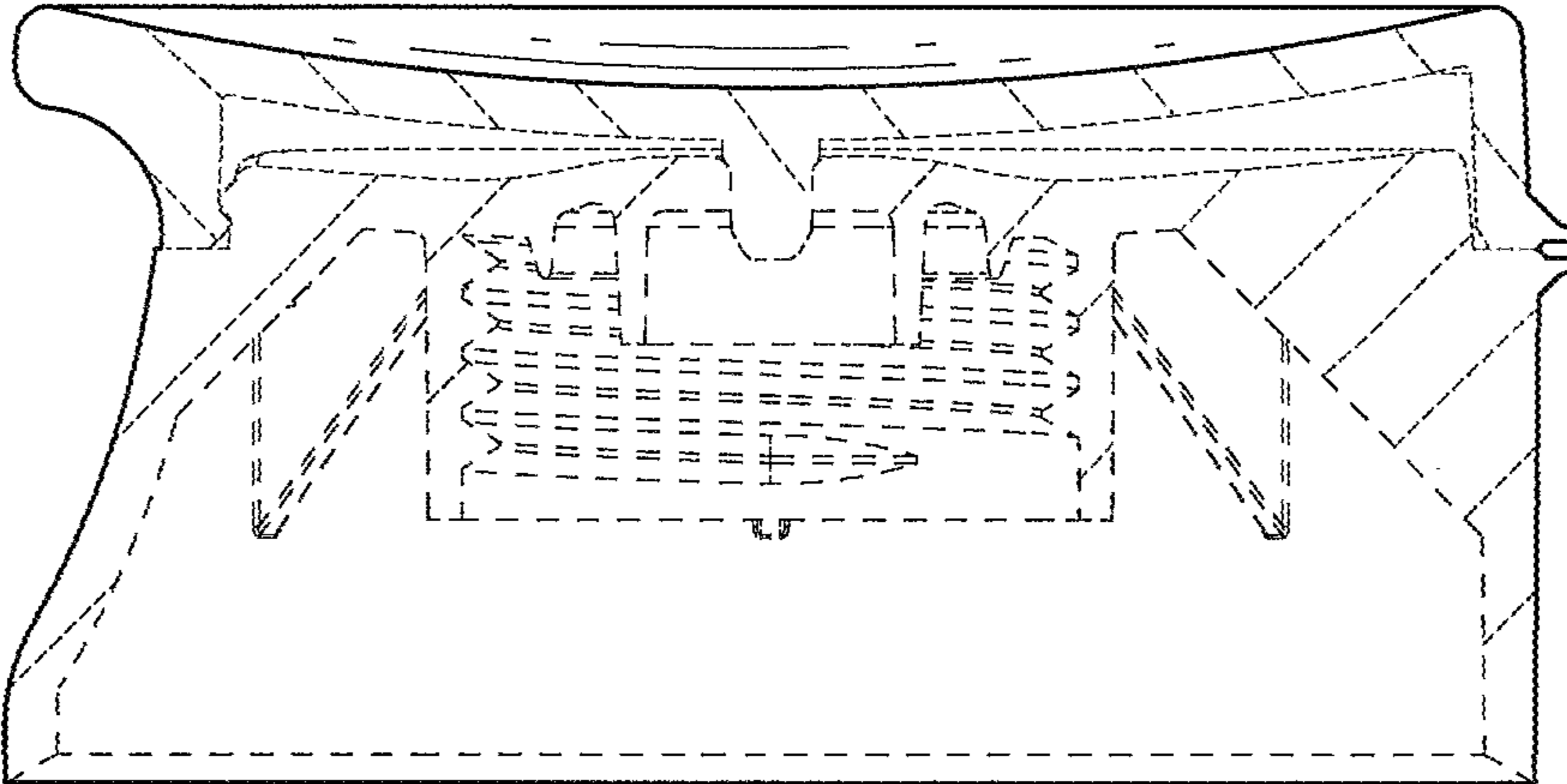


FIG. 7

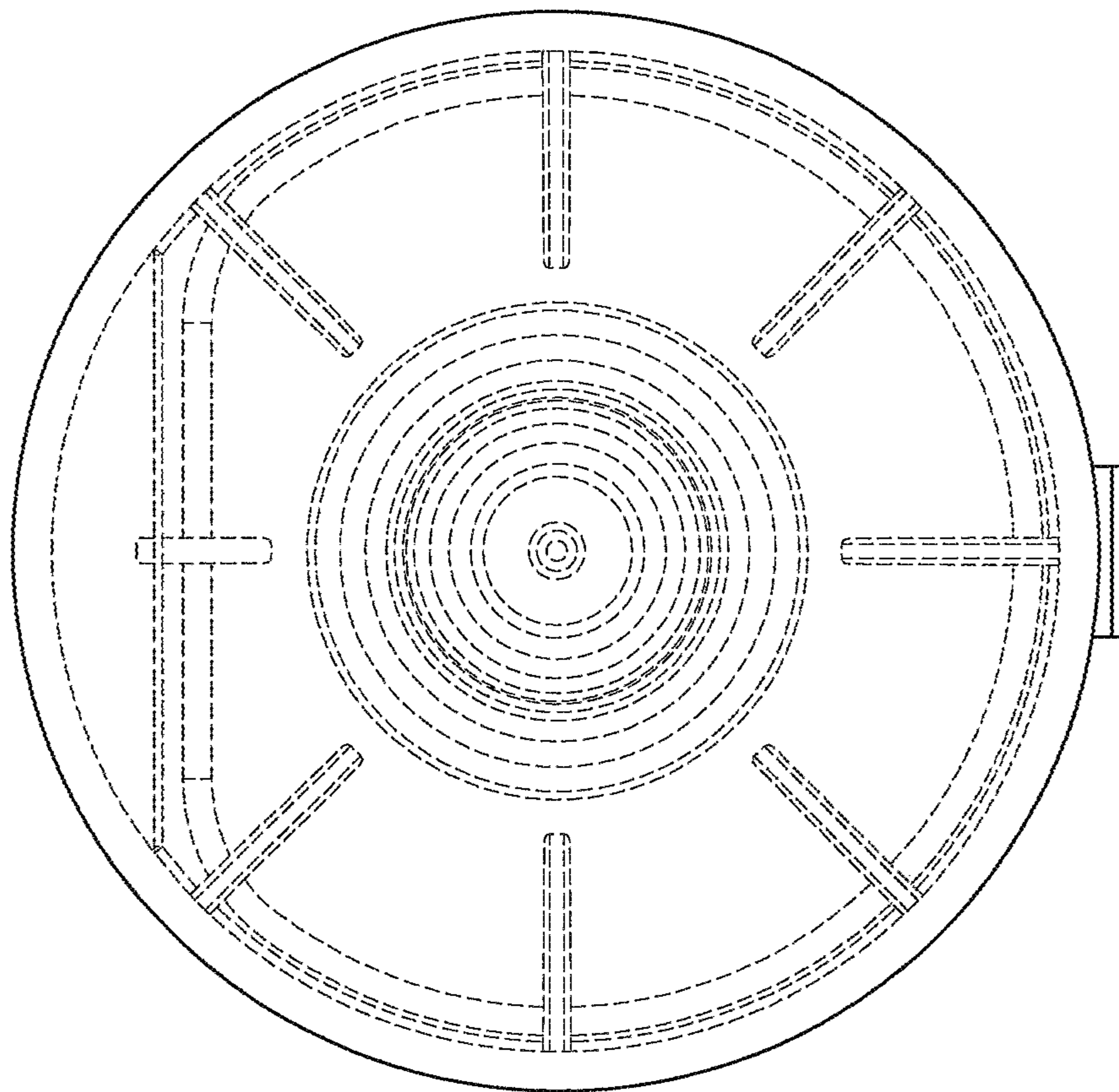


FIG. 8

UNITED STATES PATENT AND TRADEMARK OFFICE
CERTIFICATE OF CORRECTION

PATENT NO. : D769,715 S
APPLICATION NO. : 29/503016
DATED : October 25, 2016
INVENTOR(S) : Dominique Bois

Page 1 of 1

It is certified that error appears in the above-identified patent and that said Letters Patent is hereby corrected as shown below:

On the Title Page

Page 1 (item (73), Assignee) at Line 1, Change "Clairant" to --Clariant--.

Page 1 (item (73), Assignee) at Line 2, Change "Trusly Brueil" to --Trosly Breuil--.

In column 2 (page 2, item (56)) at Line 21, Under Other Publications, change "29/506,653," to --29/507,653,--.

Signed and Sealed this
Twenty-eighth Day of February, 2017



Michelle K. Lee
Director of the United States Patent and Trademark Office