



US00D769712S

(12) **United States Design Patent**
Antignane

(10) **Patent No.:** **US D769,712 S**
(45) **Date of Patent:** **** Oct. 25, 2016**

(54) **LID GRABBER**

(71) Applicant: **John Antignane**, Arlington, TN (US)

(72) Inventor: **John Antignane**, Arlington, TN (US)

(**) Term: **14 Years**

(21) Appl. No.: **29/512,140**

(22) Filed: **Dec. 17, 2014**

(51) **LOC (10) Cl.** **09-07**

(52) **U.S. Cl.**

USPC **D9/445**; D9/435; D9/436; D9/443

(58) **Field of Classification Search**

USPC D3/29, 201, 202, 203.1, 203.2, 203.3,
D3/273, 275, 294; D4/114; D7/397, 399,
D7/510, 511, 534, 542, 545, 586, 587, 601,
D7/602, 619.1, 629, 630, 387, 391;
D9/414, 415, 416, 417, 418, 428, 436,
D9/449, 454, 499, 500, 502-505; 99/295;
215/379, 392, 400; 220/660, 669, 675;
426/84; D2/623, 617, 618; D6/516,
D6/535; D19/187, 194, 179, 202, 203;
D23/227, 259, 260, 261; D29/118,
D29/119; D12/179

CPC .. B65D 85/8043; B65D 51/02; B65D 51/04;
B65D 47/122; B65D 1/00; B65D 1/02;
B65D 1/0223; B65D 2501/00; B65D
2501/0009; B65D 50/041; B65D 25/00;
B65D 25/40; B65D 25/42; B65D 25/46;
B65D 25/48; B65D 25/77; B65D 39/00;
B65D 39/0047; A45D 2040/0006; A45D
2040/093; A47F 3/14; A47G 18/22; A47G
18/23; B05B 11/059; B05B 11/3005; B05B
11/3028; B05B 11/3029; B05B 11/3056
See application file for complete search history.

(56) **References Cited**

U.S. PATENT DOCUMENTS

4,136,202 A * 1/1979 Favre B65D 85/8043
206/0.5
D474,110 S * 5/2003 Sweeney D9/425

D513,152 S * 12/2005 Cahen D7/399
D539,643 S * 4/2007 Abel D9/414
D573,414 S * 7/2008 Bellon D7/602
D579,369 S * 10/2008 Spataro D10/113.2
D597,213 S * 7/2009 Barnett D24/117
D606,406 S * 12/2009 Takata D9/428
D652,266 S * 1/2012 Smyers D7/630

(Continued)

OTHER PUBLICATIONS

Lid Grabber: Announced Jan. 22, 2015 [online] site visited [May 26, 2016]. Available from Internet URL: <http://thelidgrabber.com/>.*

(Continued)

Primary Examiner — Thomas Johannes
Assistant Examiner — Catherine Posthauer

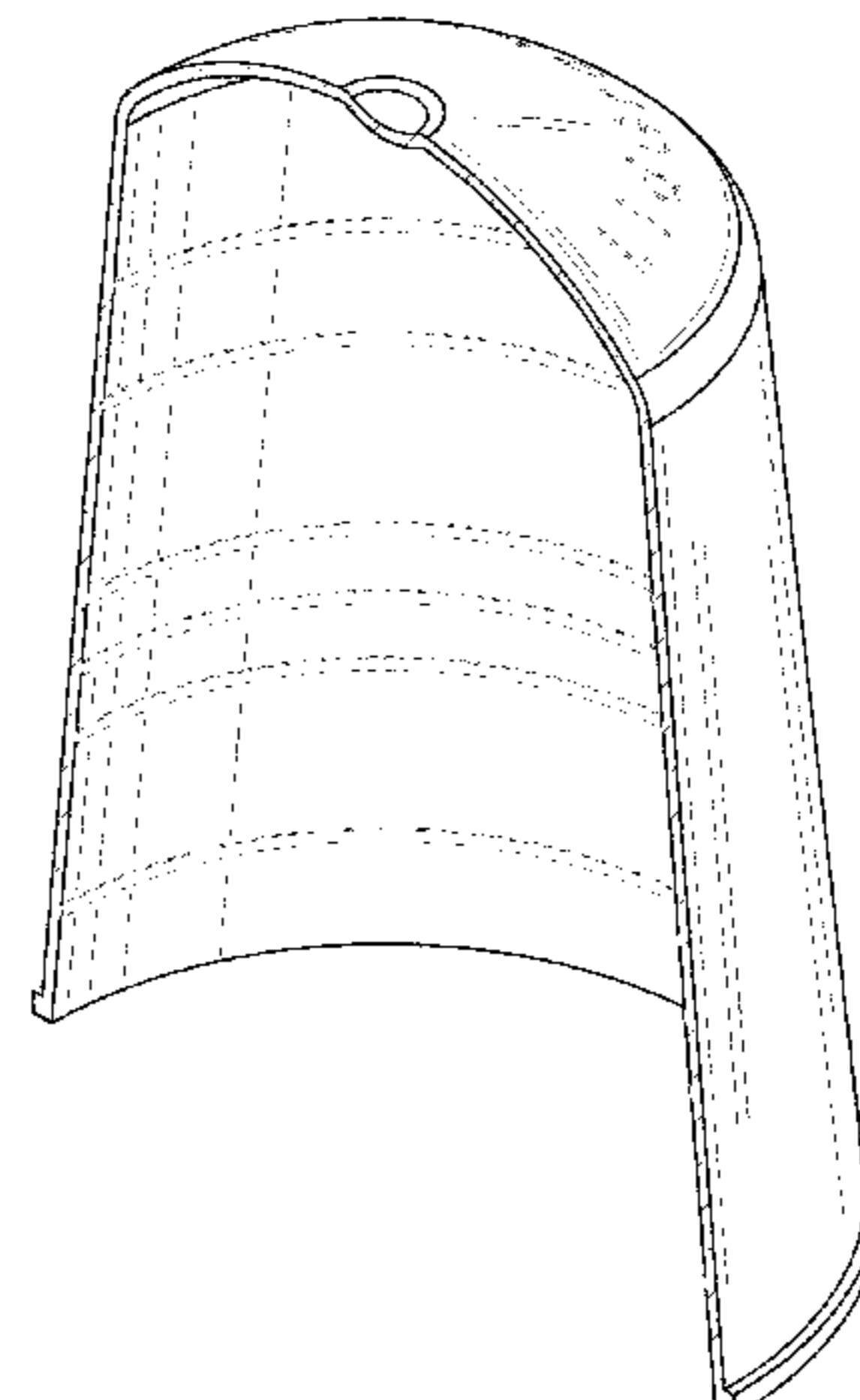
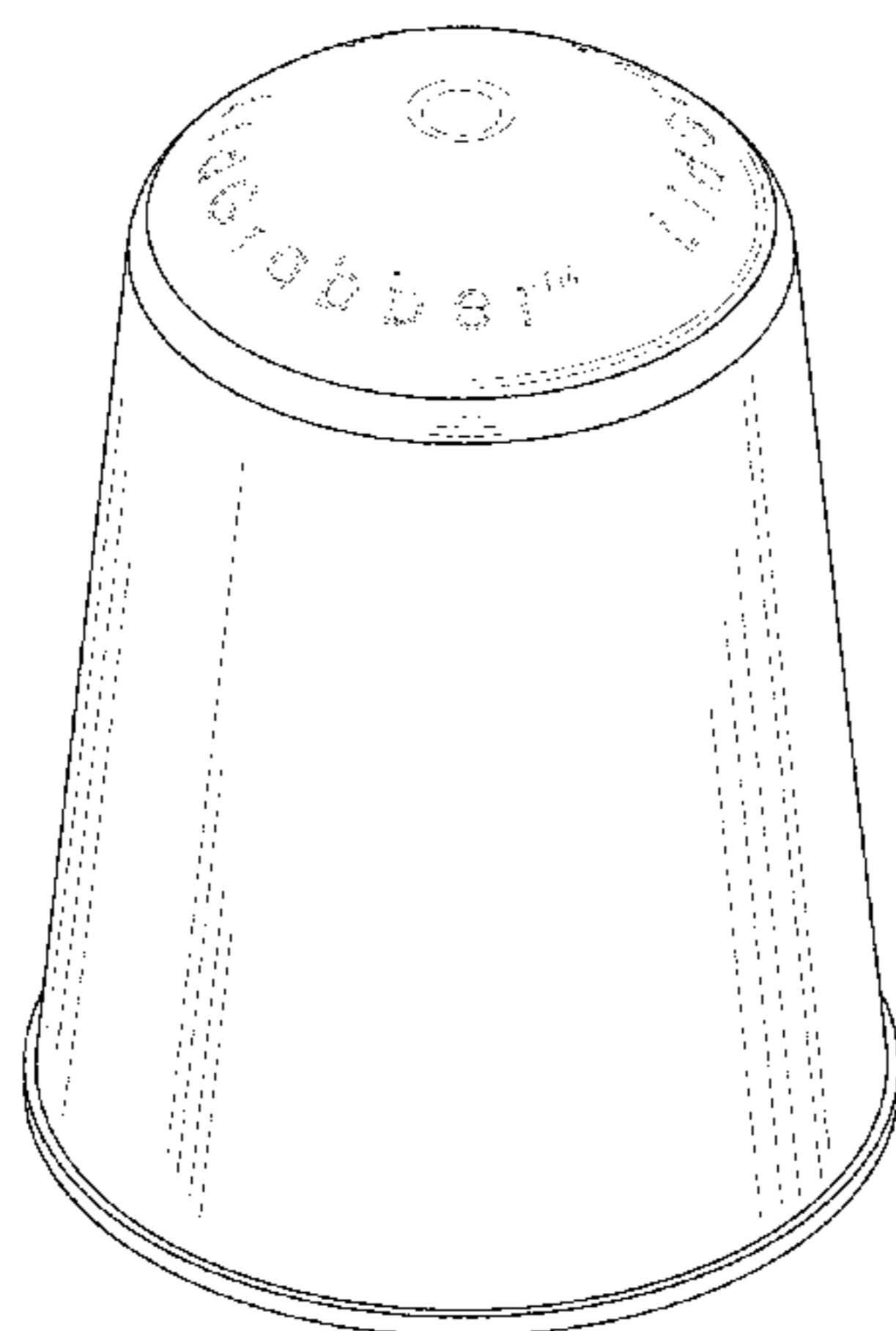
(57) **CLAIM**

The ornamental design for a lid grabber, as shown and described.

DESCRIPTION

FIG. 1 is a perspective view of the lid grabber;
FIG. 2 is a front plane view thereof, the rear plane being a mirror image;
FIG. 3 is a top plan view thereof;
FIG. 4 is a bottom plan view thereof;
FIG. 5 is a left side view thereof;
FIG. 6 is a cross sectional view taken in the direction of line 6-6 on FIG. 5; and,
FIG. 7 is a perspective view of FIG. 6.
The evenly broken lines are shown for the purpose of illustrating parts of the lid grabber that form no part of the claimed design. The dot-dot-dash lines shown on FIG. 5 are for the purpose of indicating a cross sectional view and form no part thereof.
The “LidGrabber” logo in FIGS. 1-3, 4, and 6 is a registered trademark of LidGrabber LLC.

1 Claim, 7 Drawing Sheets



(56)

References Cited

OTHER PUBLICATIONS

U.S. PATENT DOCUMENTS

D665,663 S * 8/2012 Krupa D9/425
D684,459 S * 6/2013 Stowe D9/428
D692,759 S * 11/2013 Rapparini D9/428
D695,615 S * 12/2013 Rapparini D9/428
D715,649 S * 10/2014 O'Brien D9/500
D746,641 S * 1/2016 Panone D7/602
9,260,239 B2 * 2/2016 Amrein B65D 85/8043
D751,385 S * 3/2016 Rapparini D9/416
D753,954 S * 4/2016 Schreiber D7/400
D756,785 S * 5/2016 Bartoli D9/502

Plain Thimble: Announced Mar. 23, 2013 [online] site visited [May 25, 2016]. Available from Internet URL:<https://www.personalised-jewellery.co.uk/plain-sterling-silver-thimble-can-be-personalised.html>.*

* cited by examiner

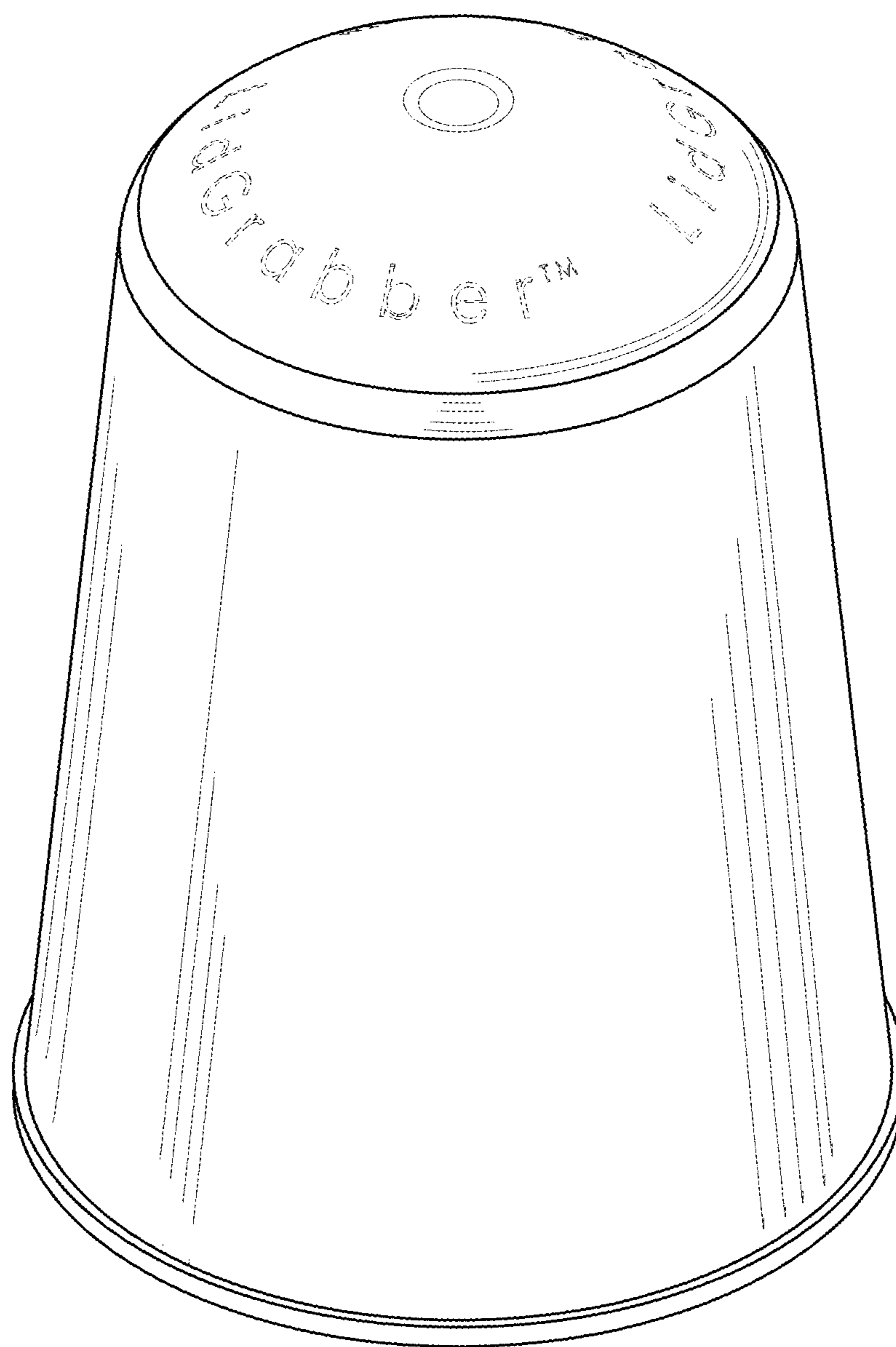


FIG. 1

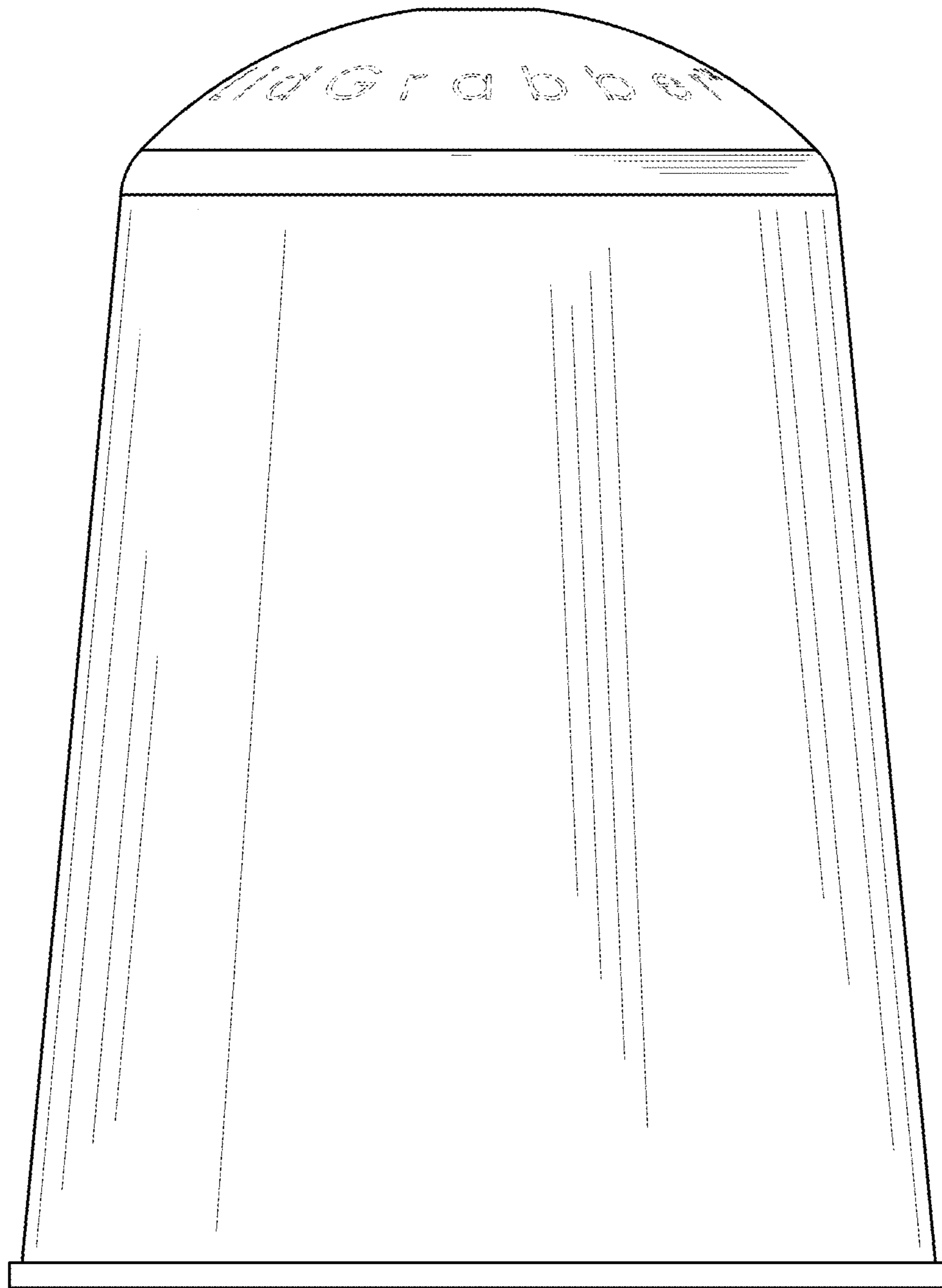


FIG. 2

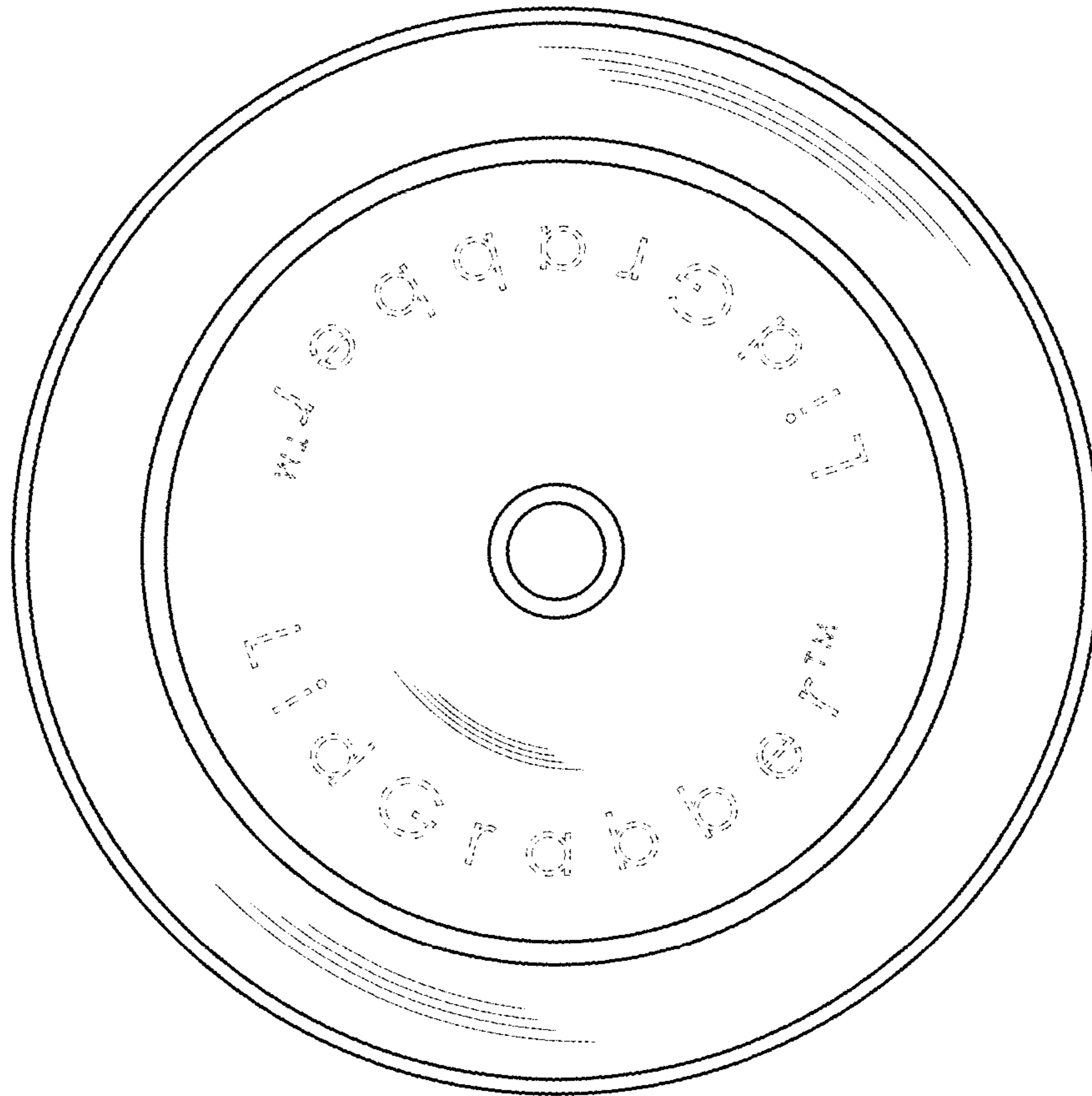


FIG. 3

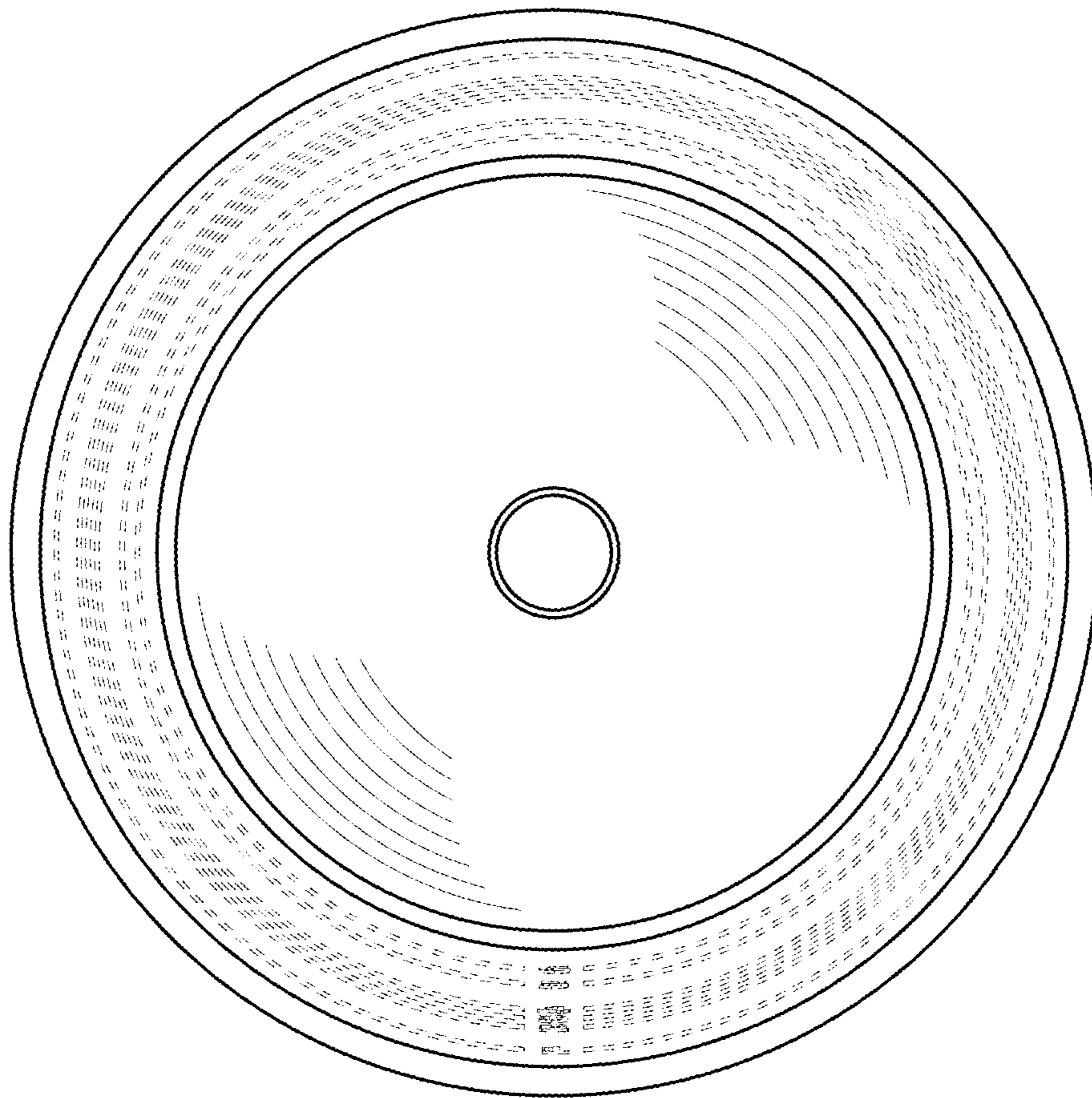


FIG. 4

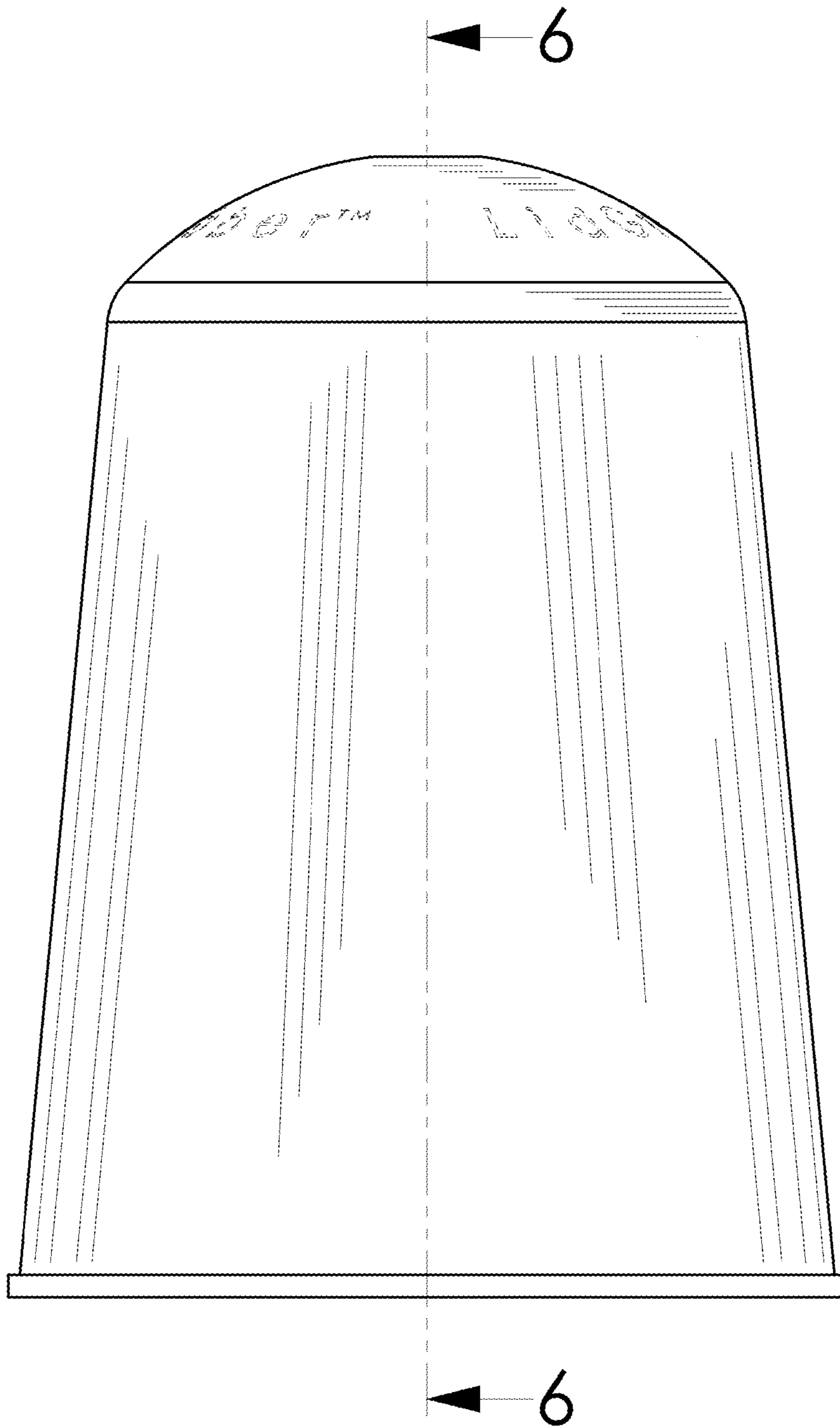


FIG. 5

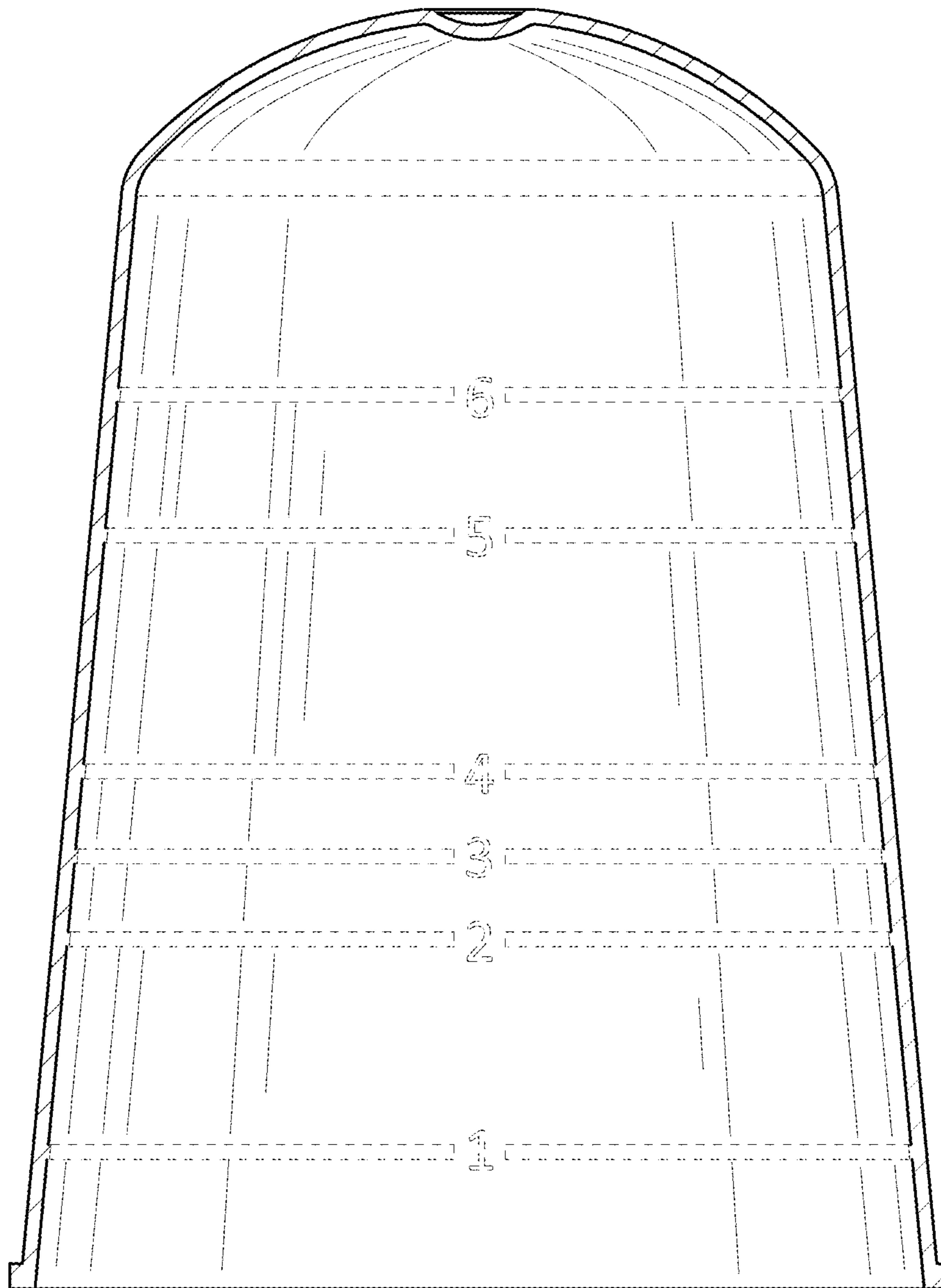


FIG. 6

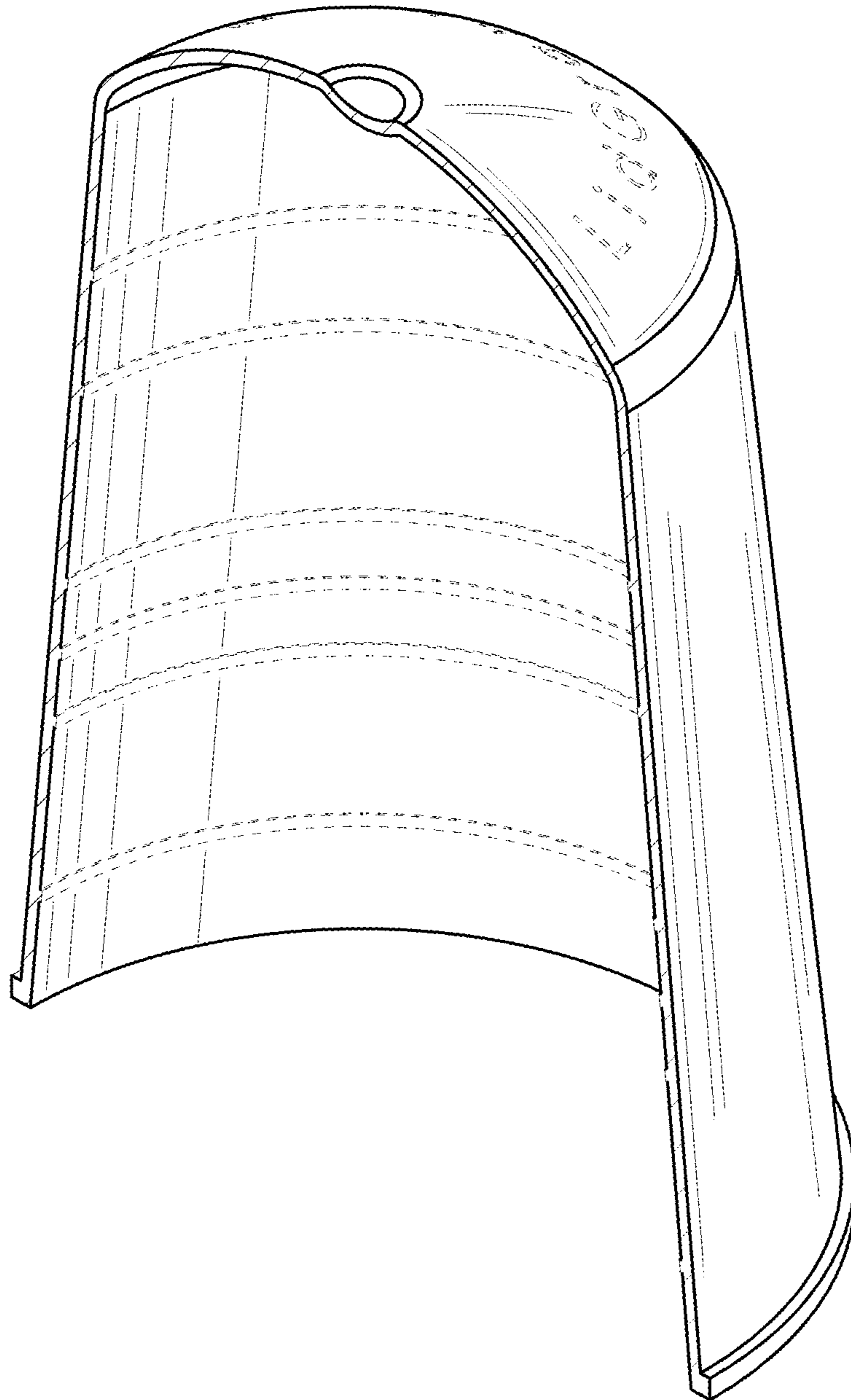


FIG. 7