



US00D769710S

(12) **United States Design Patent**
Raphaelson et al.

(10) **Patent No.:** **US D769,710 S**

(45) **Date of Patent:** **** Oct. 25, 2016**

(54) **BEVERAGE CARTRIDGE**

(71) Applicant: **Keurig Green Mountain, Inc.**,
Waterbury, VT (US)

(72) Inventors: **Steven Raphaelson**, Watertown, MA
(US); **Michael Sack**, North Reading,
MA (US); **Enrico Raffaele Cafaro**,
Beverly, MA (US); **Ralph K. Maider,**
Jr., Milton, MA (US)

(73) Assignee: **Keurig Green Mountain, Inc.**,
Waterbury, VT (US)

(**) Term: **15 Years**

(21) Appl. No.: **29/541,043**

(22) Filed: **Sep. 30, 2015**

Related U.S. Application Data

(62) Division of application No. 29/506,802, filed on Oct.
20, 2014, now Pat. No. Des. 743,785.

(51) **LOC (10) Cl.** **09-03**

(52) **U.S. Cl.**
USPC **D9/428**

(58) **Field of Classification Search**
USPC D9/414, 416, 418, 424-425, 427-428,
D9/434-435, 454, 516, 518, 548, 549, 558,
D9/571, 715-716, 719; D7/507, 509-511,
D7/523, 601-603, 612, 615, 629-630,
D7/400; D11/152

CPC B65D 1/00; B65D 1/26; B65D 1/265;
B65D 17/00; B65D 17/02; B65D 17/50;
B65D 17/501; B65D 23/00; B65D 81/00;
B65D 85/804; B65D 85/8043; B65D
85/8046; B65D 2501/00; B65D 2501/0009

See application file for complete search history.

(56) **References Cited**

U.S. PATENT DOCUMENTS

D275,179 S * 8/1984 Spencer D9/428
D288,057 S 2/1987 Webster
D474,111 S * 5/2003 Lazaris D9/425
6,658,989 B2 * 12/2003 Sweeney A47J 31/0642
99/306

(Continued)

Primary Examiner — Ian Simmons

Assistant Examiner — Keith Frank

(74) *Attorney, Agent, or Firm* — Wolf, Greenfield &
Sacks, P.C.

(57) **CLAIM**

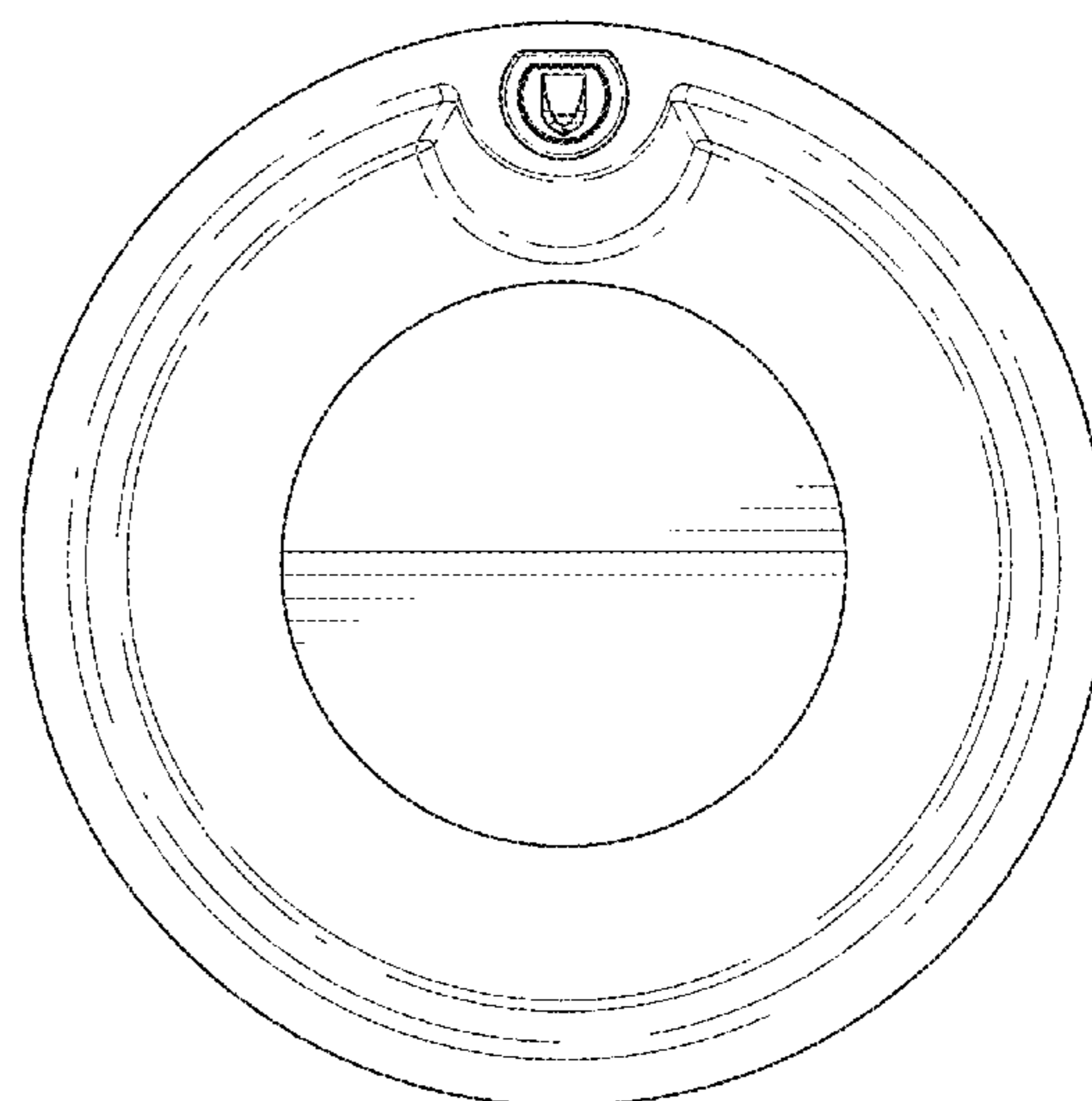
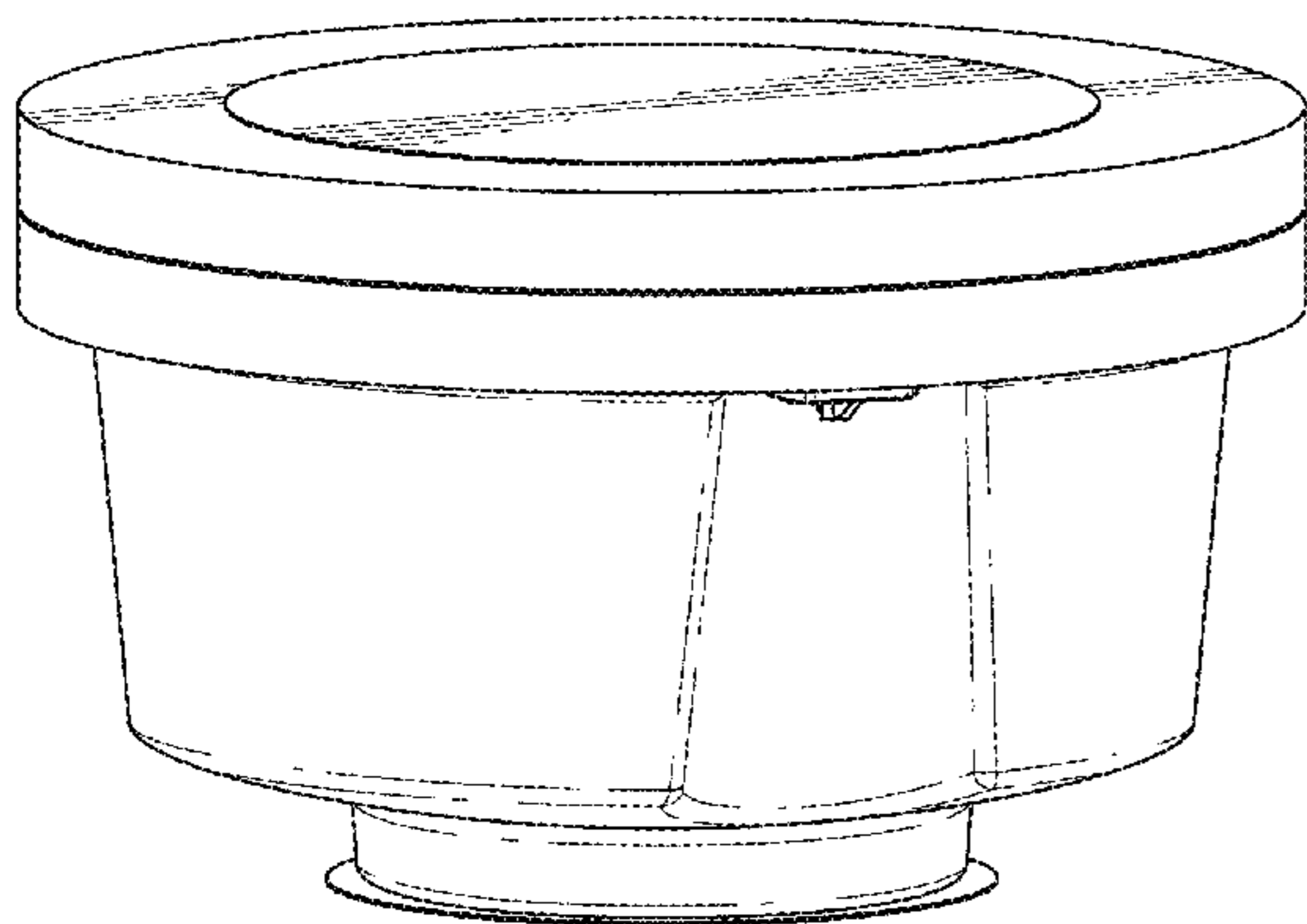
The ornamental design for a beverage cartridge, as shown
and described.

DESCRIPTION

FIG. 1 is a top, front, left perspective view of a beverage
cartridge showing a first embodiment of our new design;
FIG. 2 is a bottom, front, right perspective view thereof;
FIG. 3 is a front elevational view thereof;
FIG. 4 is a rear elevational view thereof;
FIG. 5 is a left side elevational view thereof;
FIG. 6 is a right side elevational view thereof;
FIG. 7 is a top plan view thereof;
FIG. 8 is a bottom plan view thereof;
FIG. 9 is a top, front, left perspective view of a second
embodiment thereof;
FIG. 10 is a bottom, front, right perspective view of FIG. 9;
FIG. 11 is a front elevational view of FIG. 9;
FIG. 12 is a rear elevational view of FIG. 9;
FIG. 13 is a left side elevational view of FIG. 9;
FIG. 14 is a right side elevational view of FIG. 9;
FIG. 15 is a top plan view of FIG. 9; and,
FIG. 16 is a bottom plan view of FIG. 9.

The broken lines in the drawings depict unclaimed subject
matter only and form no part of the claimed design.

1 Claim, 8 Drawing Sheets



(56)

References Cited

U.S. PATENT DOCUMENTS

D506,926 S *	7/2005	Halliday	D9/416	D703,035 S	4/2014	Zanetti	
D513,152 S	12/2005	Cahen			D703,039 S	4/2014	Hansen	
D519,831 S	5/2006	de Cleir et al.			D707,489 S *	6/2014	Hertaus D7/397
D539,643 S	4/2007	Abel			D708,057 S	7/2014	Hansen	
D580,233 S *	11/2008	Camarota	D7/619.1	D716,648 S	11/2014	Tan	
D587,995 S	3/2009	Studee			8,956,672 B2	2/2015	Yoakim et al.	
D600,975 S	9/2009	Lin			D727,141 S	4/2015	Mastropasqua et al.	
D604,157 S *	11/2009	Reiterer	D9/416	9,066,623 B2 *	6/2015	Lai A47J 31/3623
D605,502 S	12/2009	Honda et al.			D739,723 S *	9/2015	Dorfman D9/425
D628,883 S	12/2010	Stephens			D742,221 S *	11/2015	Casiddu D9/500
D642,068 S	7/2011	Milewski et al.			D745,386 S *	12/2015	Covey D9/416
D644,924 S	9/2011	Lin			D747,187 S *	1/2016	Cochran D9/416
D645,340 S *	9/2011	Menard	D9/428	D749,411 S *	2/2016	Corsetti D9/416
D647,398 S *	10/2011	Winkler	D9/417	2002/0020659 A1	2/2002	Sweeney et al.	
D651,508 S *	1/2012	Layfield	D9/416	2003/0222089 A1 *	12/2003	Hale B65D 85/8043 220/574
D664,003 S *	7/2012	Nagoya	D7/400	2005/0150390 A1 *	7/2005	Schifferle B65D 85/8043 99/295
D682,675 S	5/2013	Rapparini			2005/0236323 A1 *	10/2005	Oliver A47J 31/06 210/464
D685,263 S *	7/2013	Danenberg	D9/500	2011/0111098 A1	5/2011	Ricotti	
D688,924 S *	9/2013	Enghard	D7/700	2013/0017303 A1 *	1/2013	Vu A47J 31/0689 426/433
D689,768 S	9/2013	Inderbitzin			2014/0087028 A1	3/2014	Orsi	
8,539,876 B2 *	9/2013	Webster	A47J 31/02 206/219	2015/0017290 A1	1/2015	Rondelli	
D697,797 S	1/2014	Hansen			2015/0037470 A1	2/2015	Zweed et al.	
D700,475 S *	3/2014	Avigdor	D7/400				

* cited by examiner

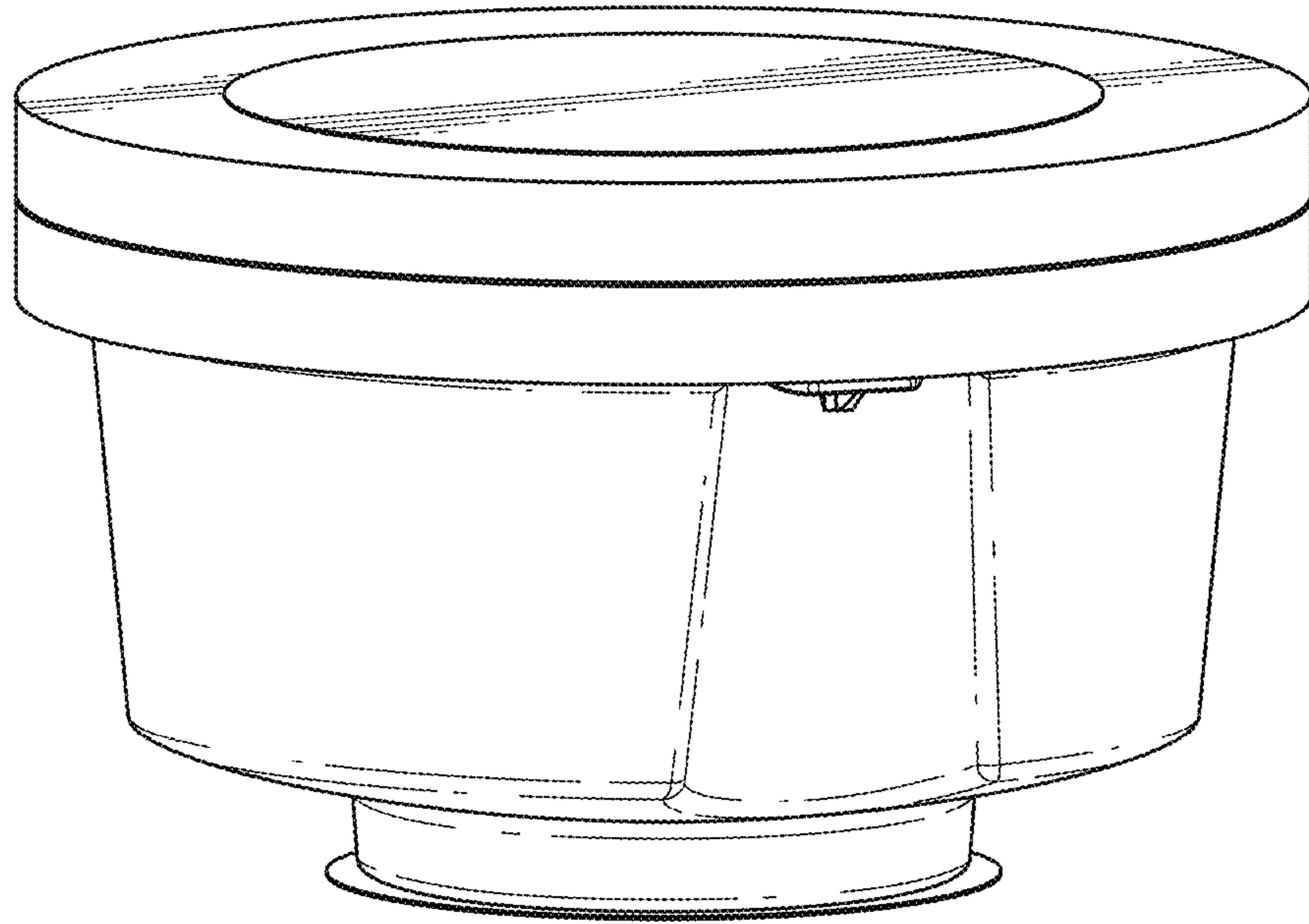


FIG. 1

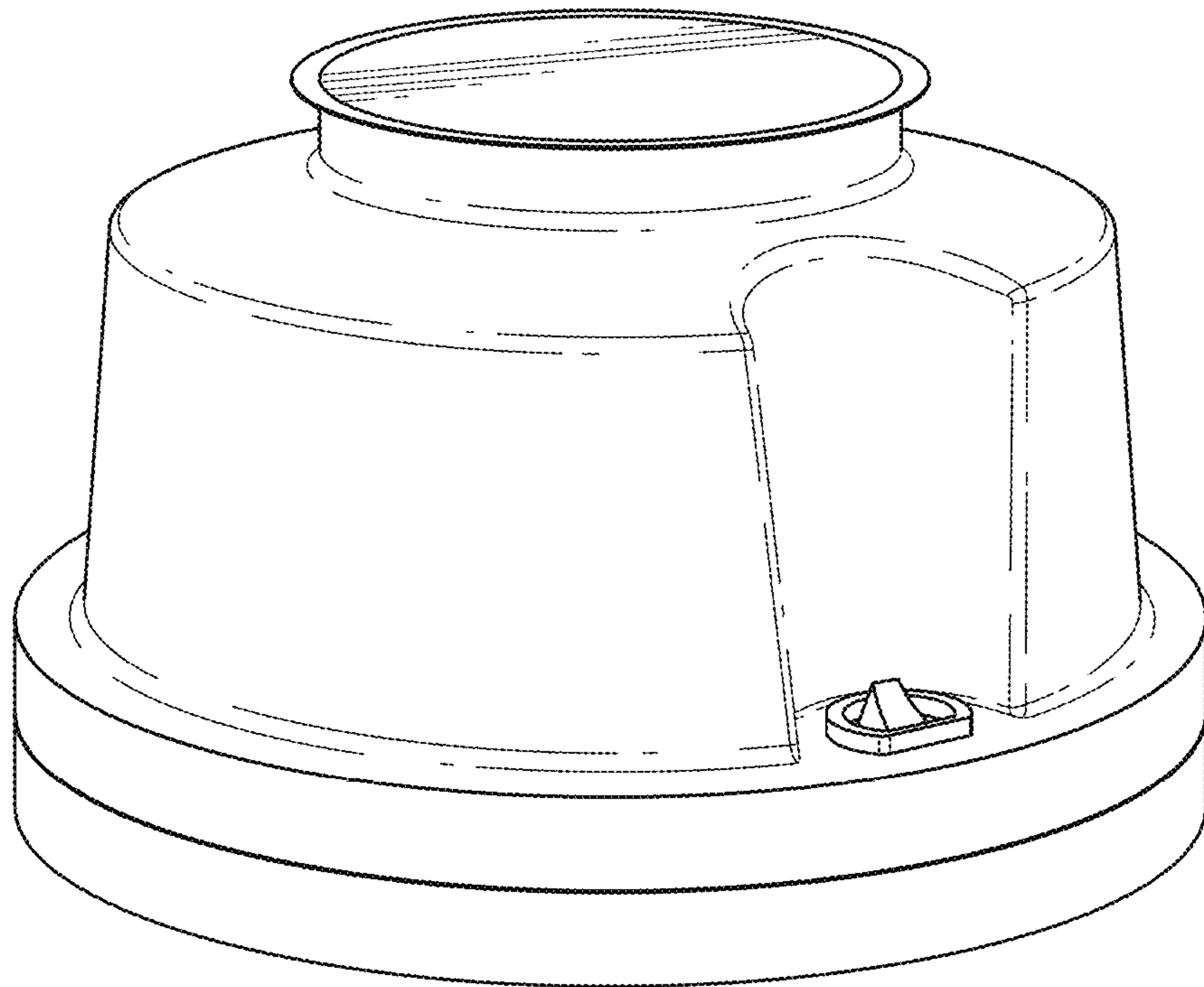


FIG. 2

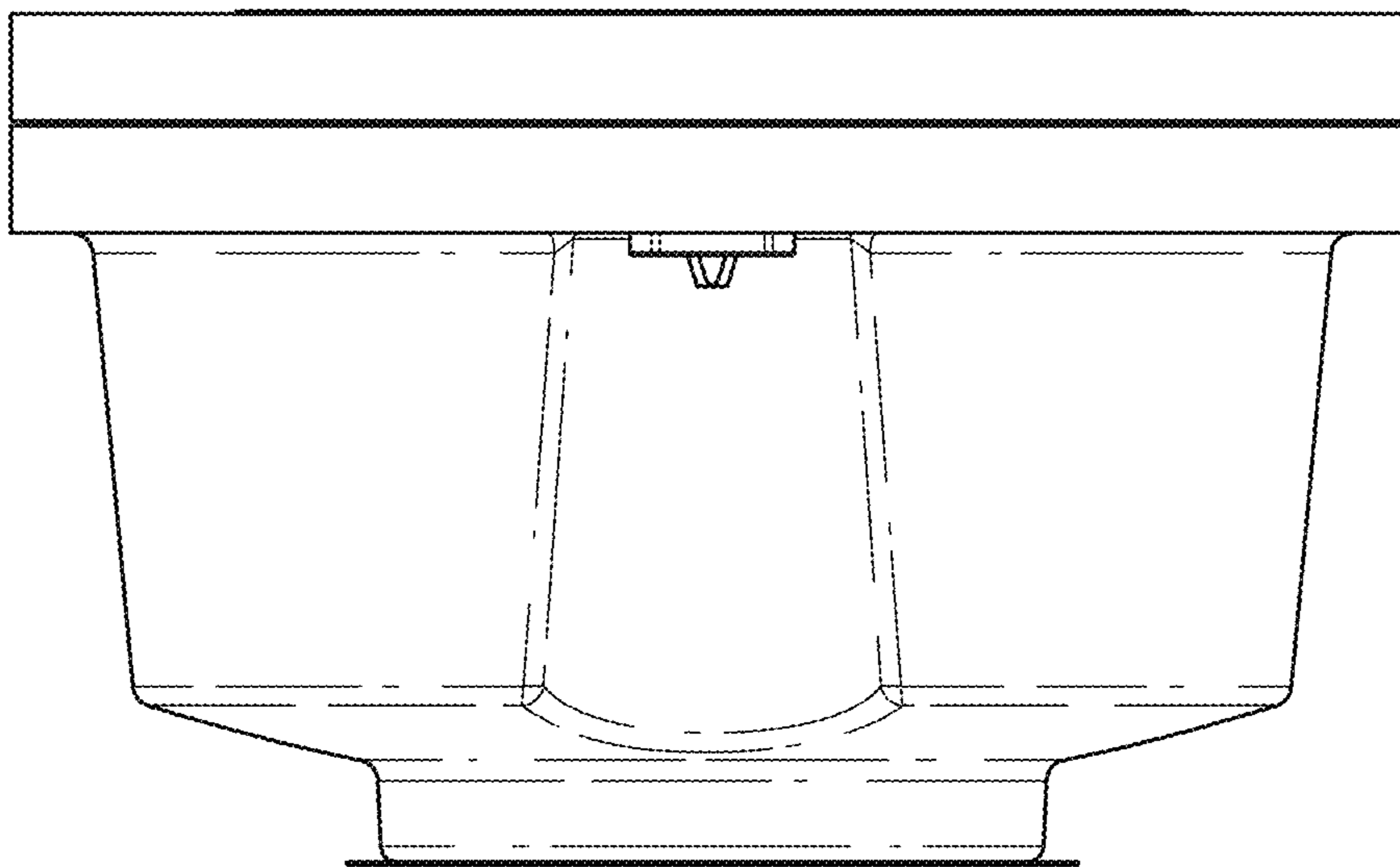


FIG. 3

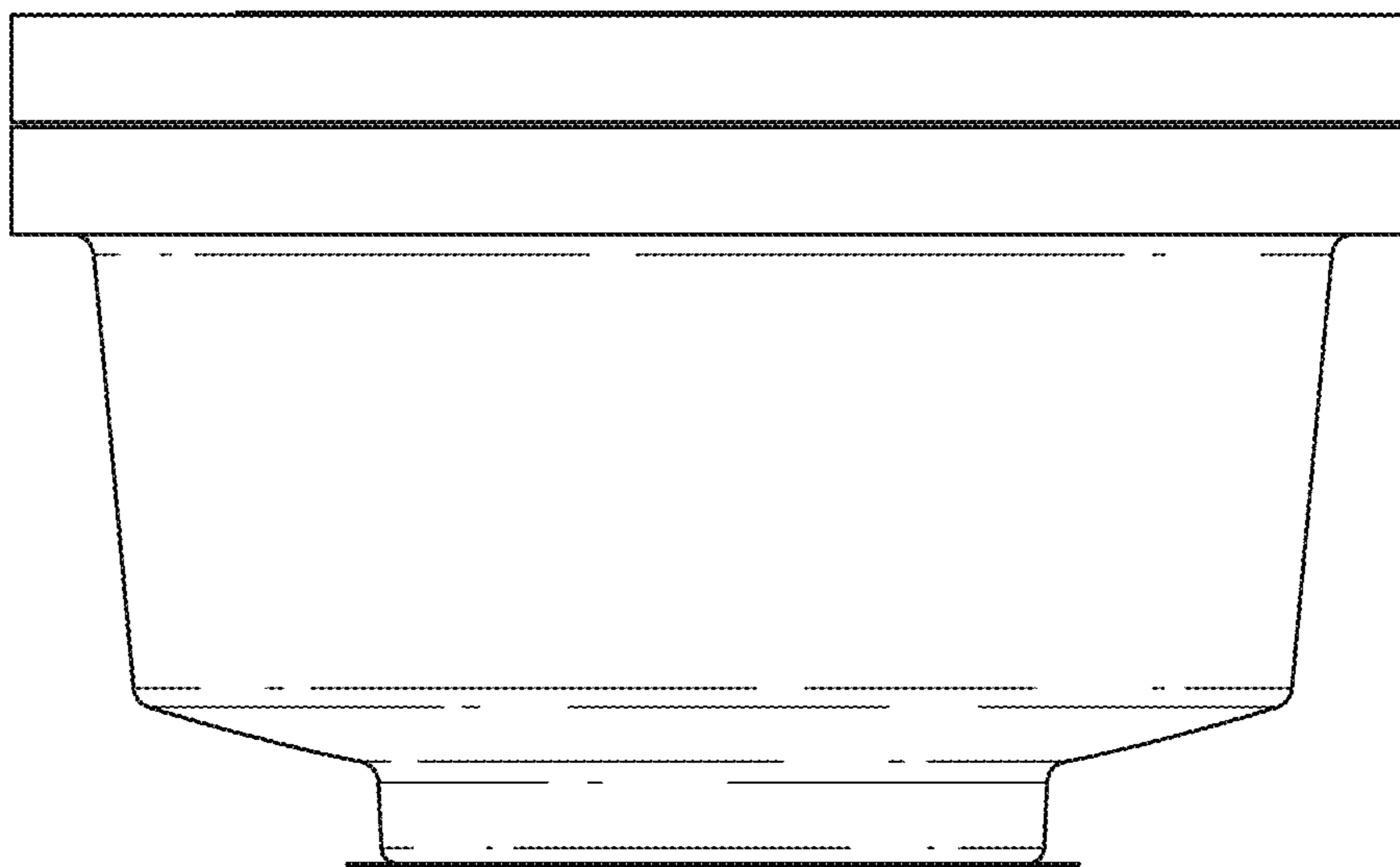


FIG. 4

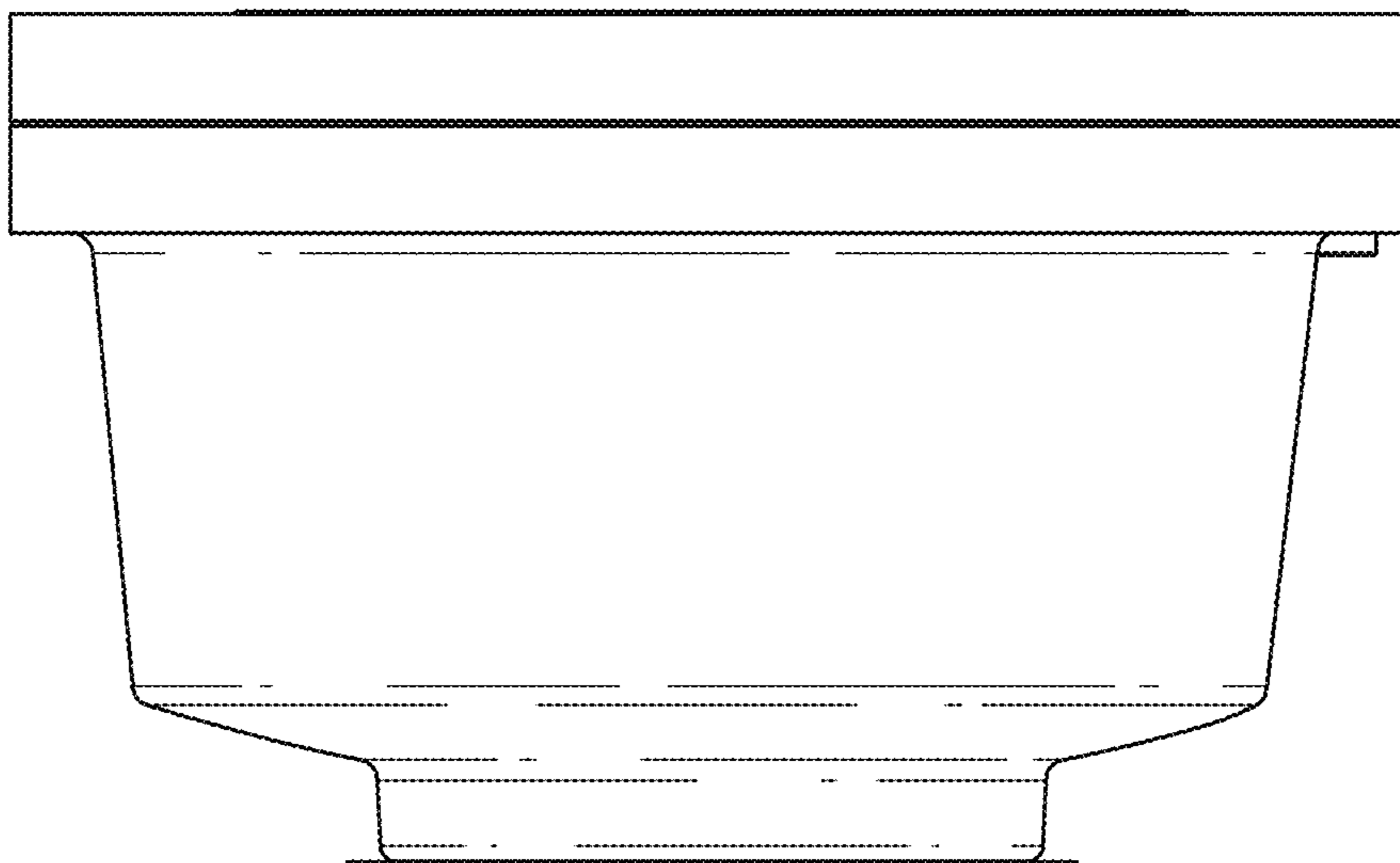


FIG. 5

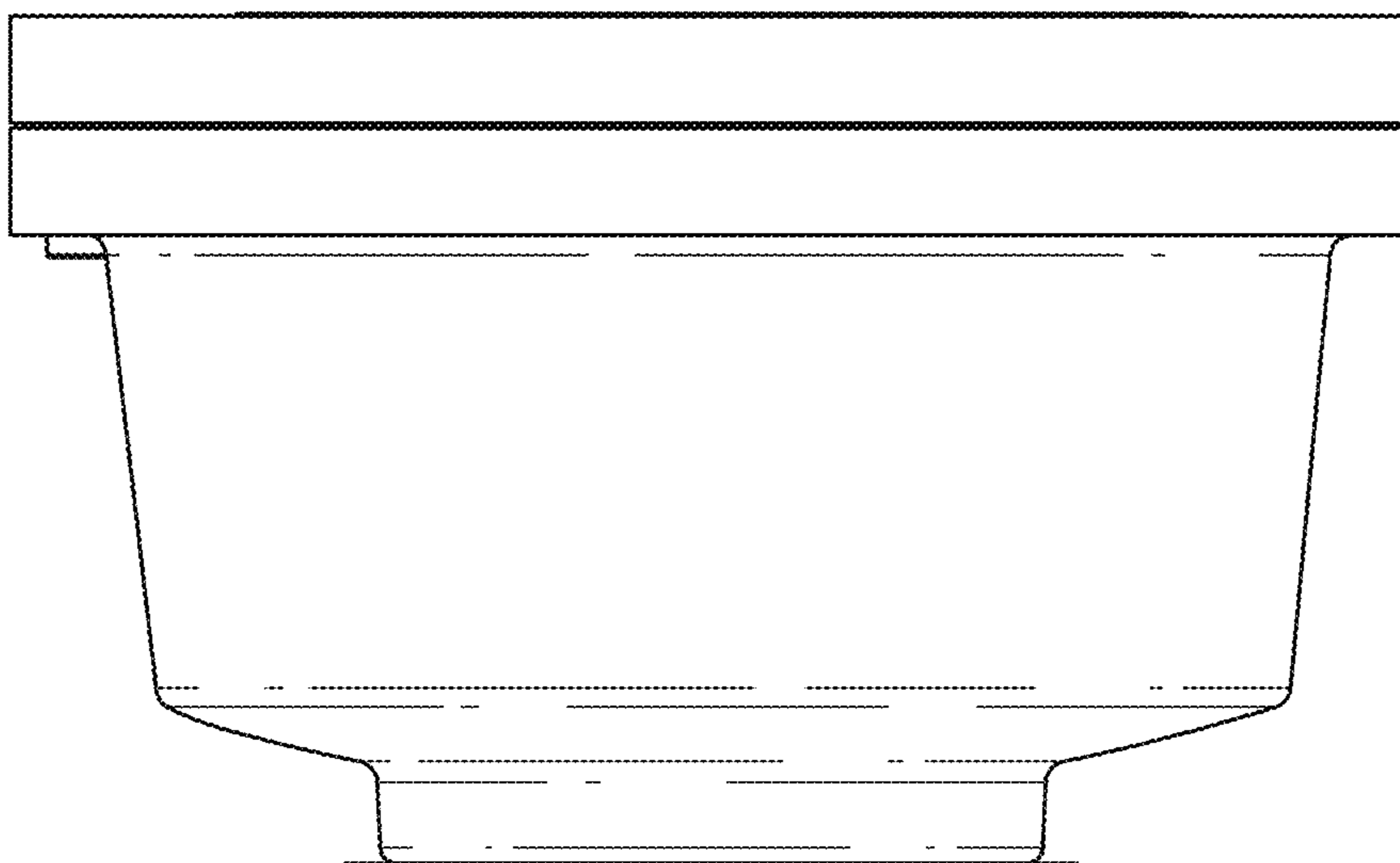


FIG. 6

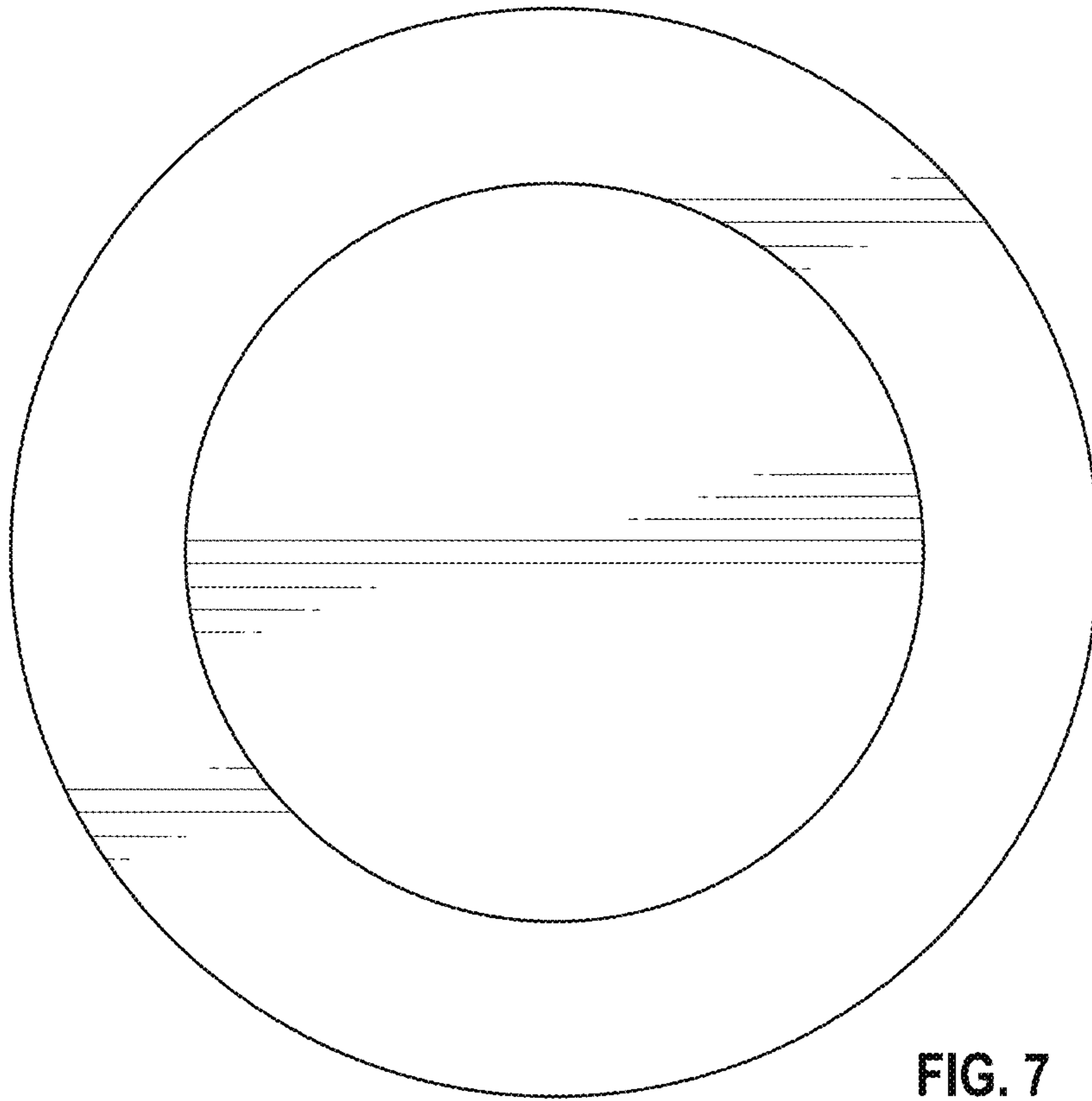


FIG. 7

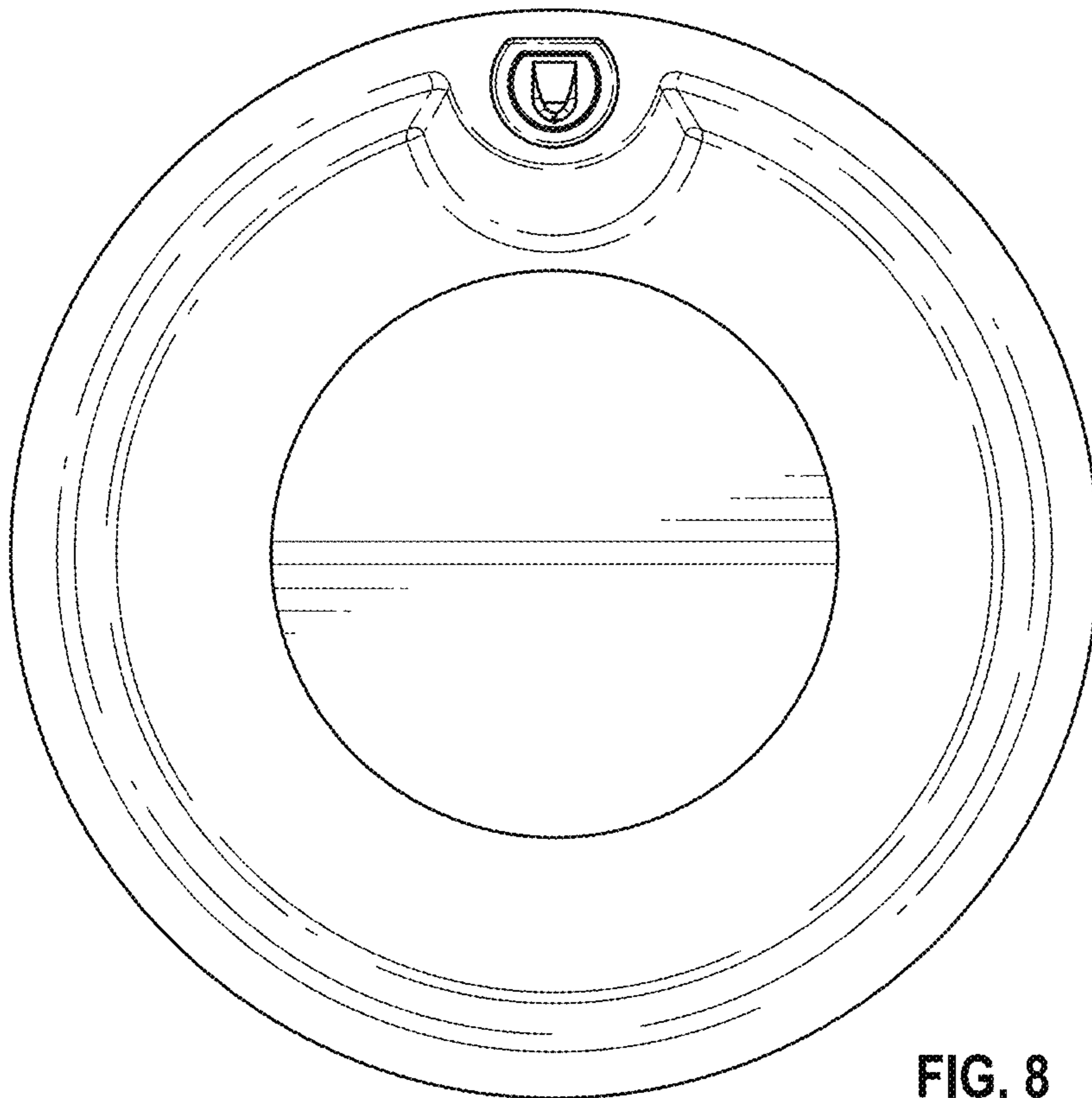


FIG. 8

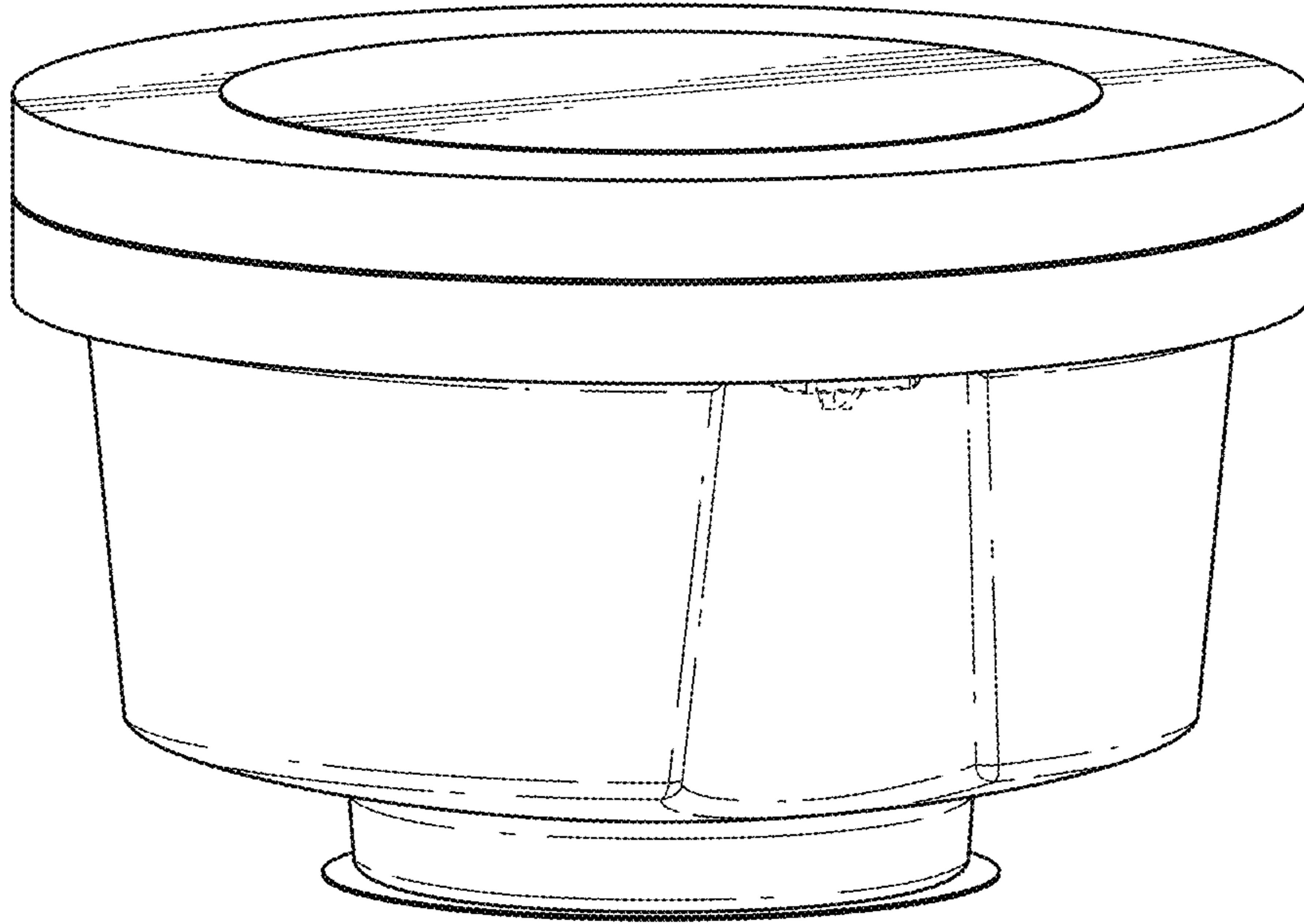


FIG. 9

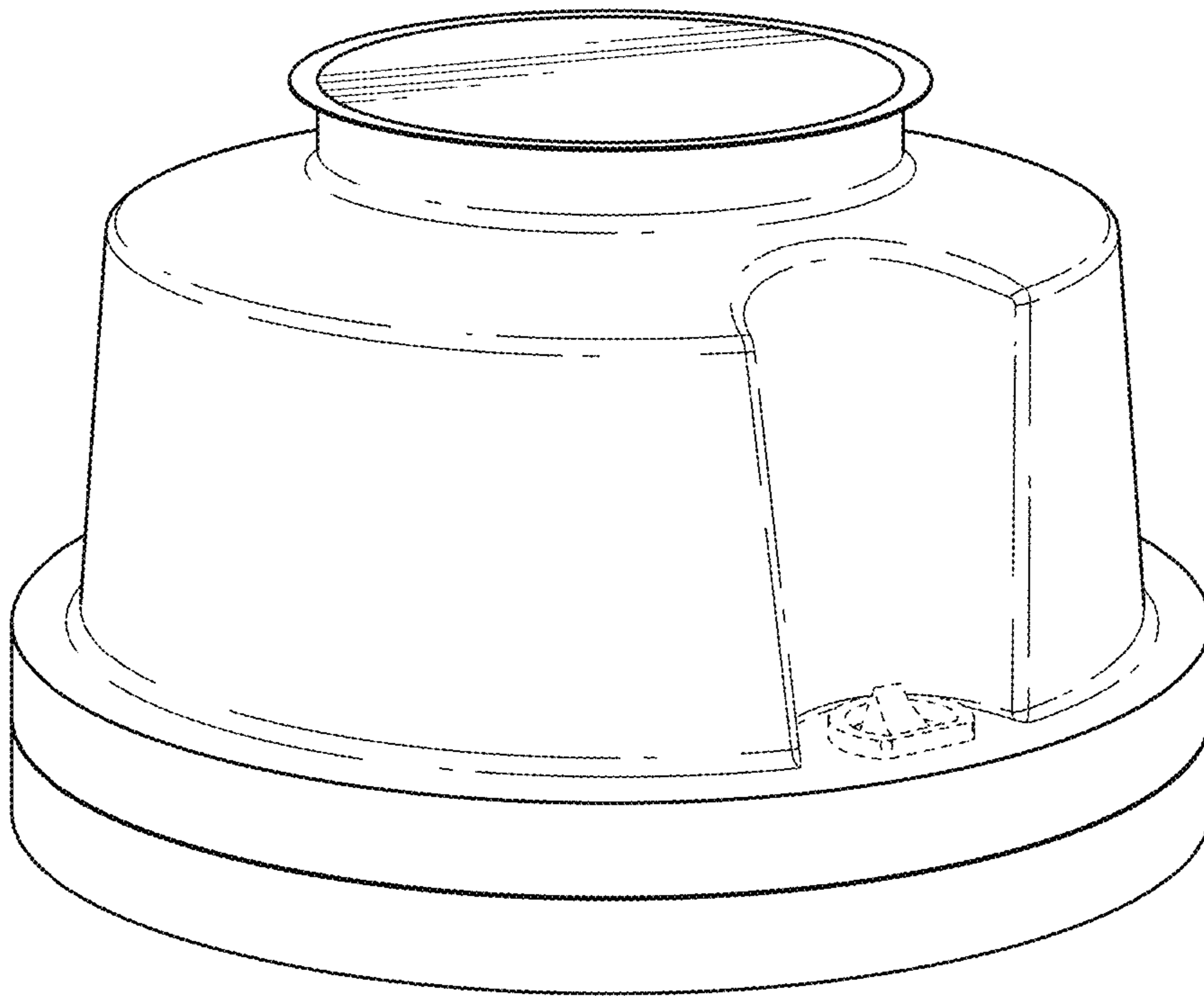


FIG. 10

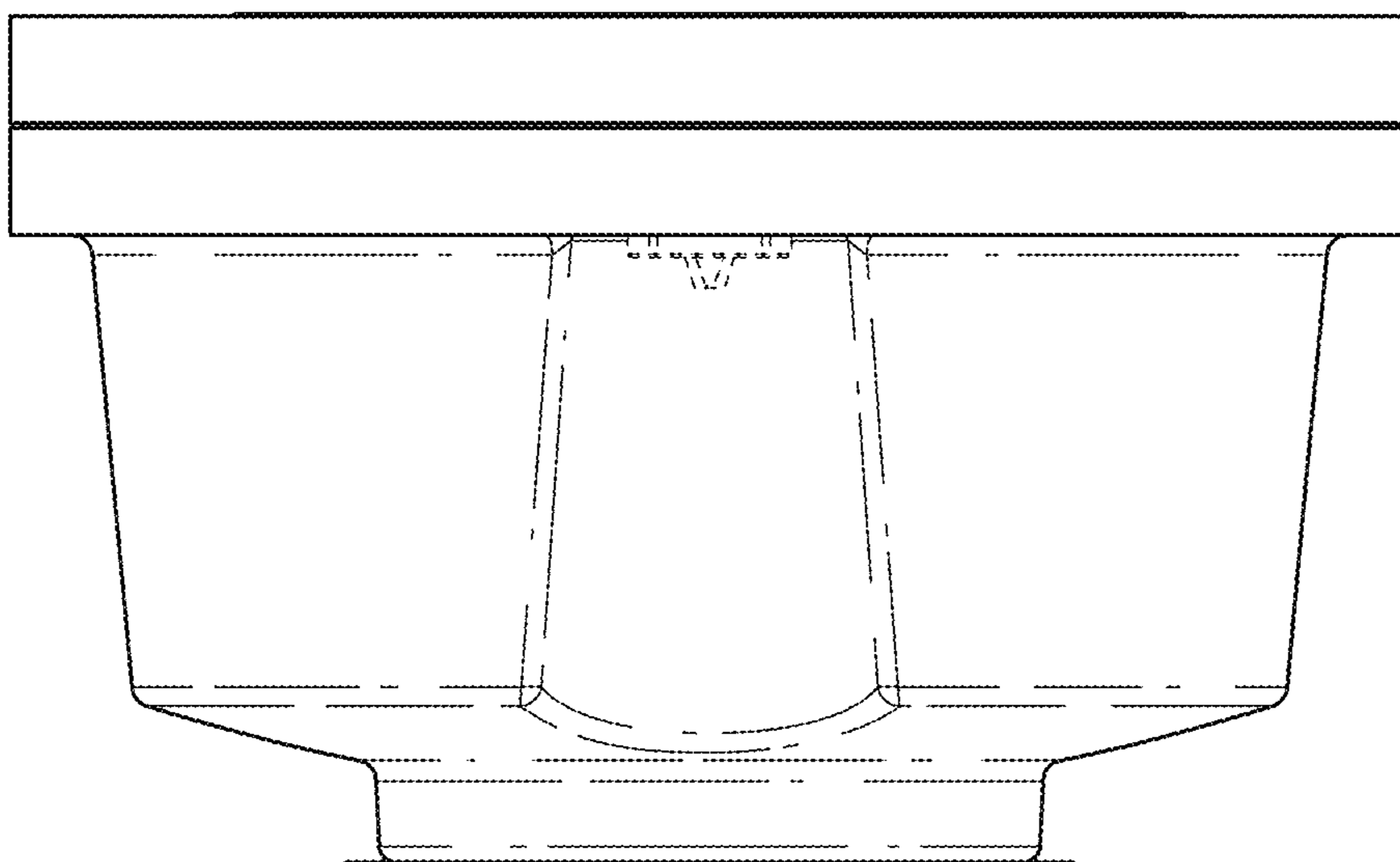


FIG. 11

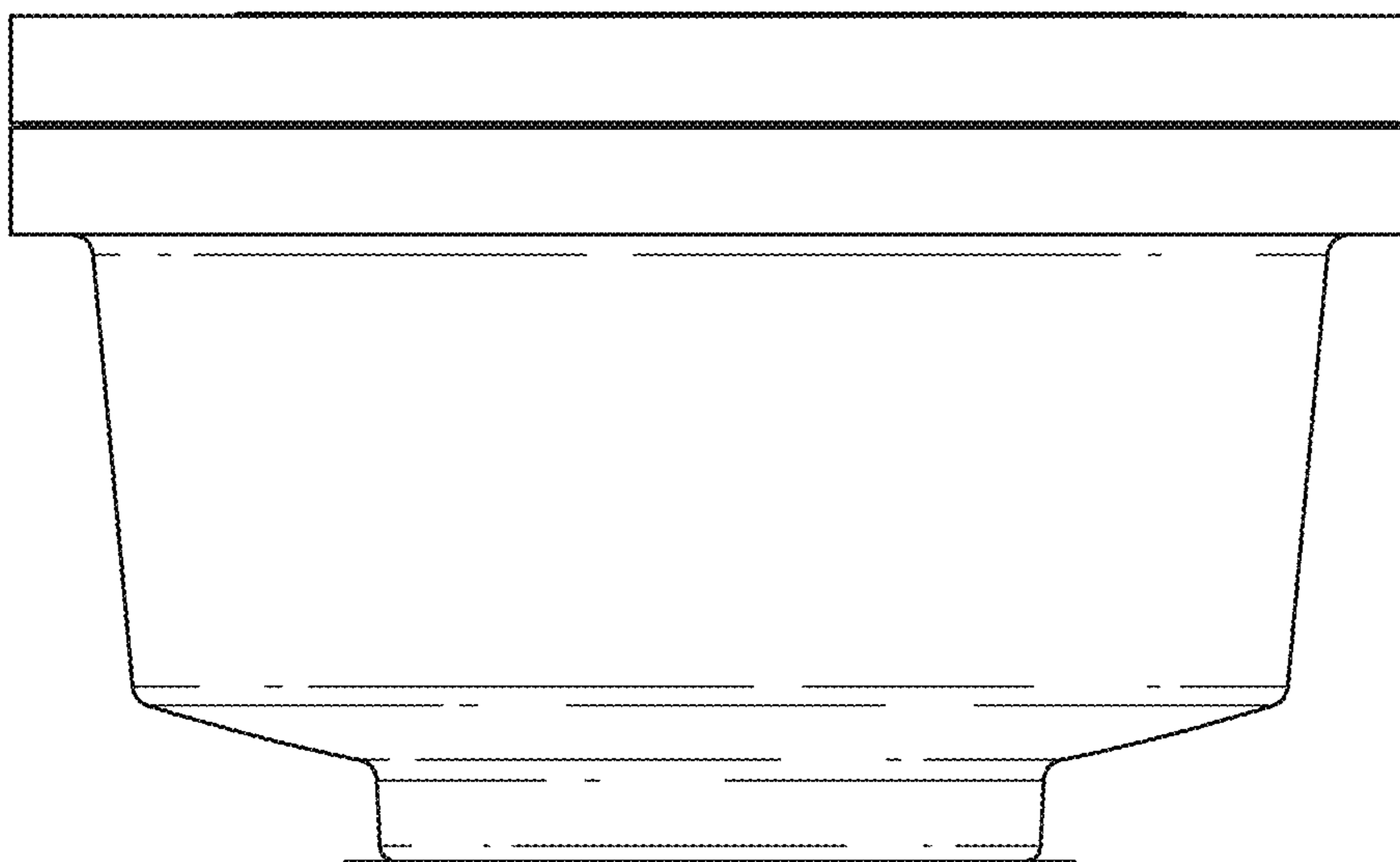


FIG. 12

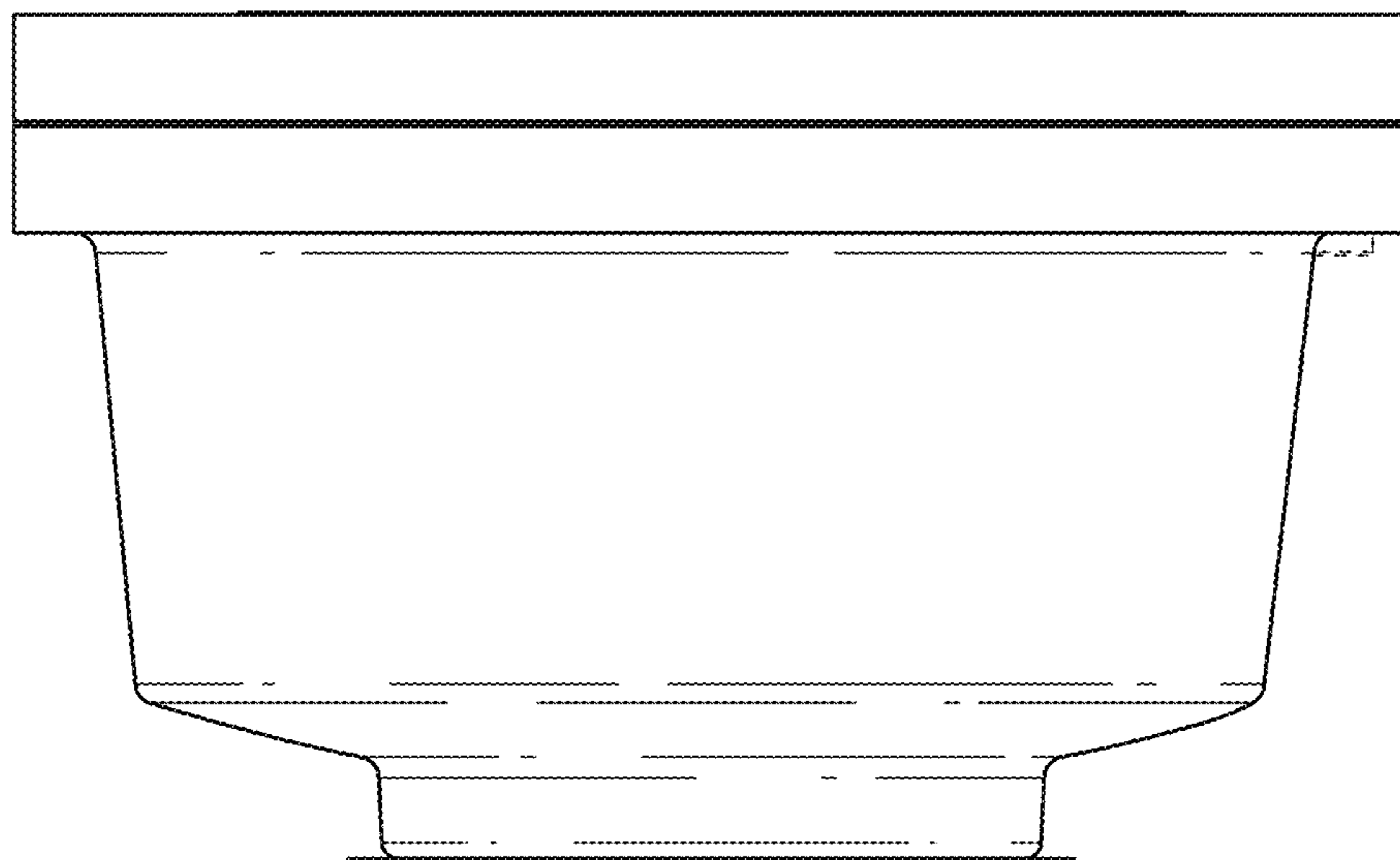


FIG. 13

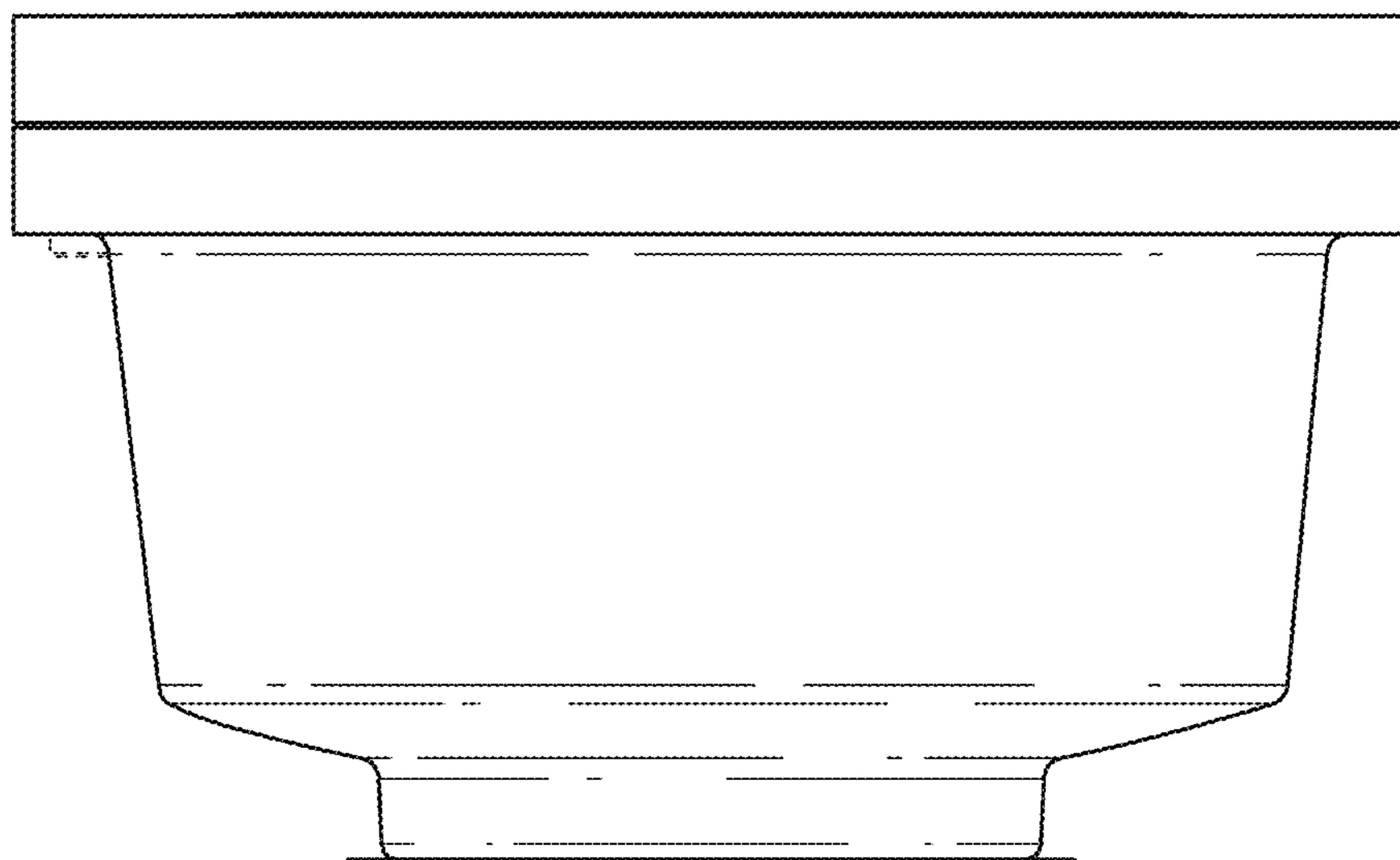


FIG. 14

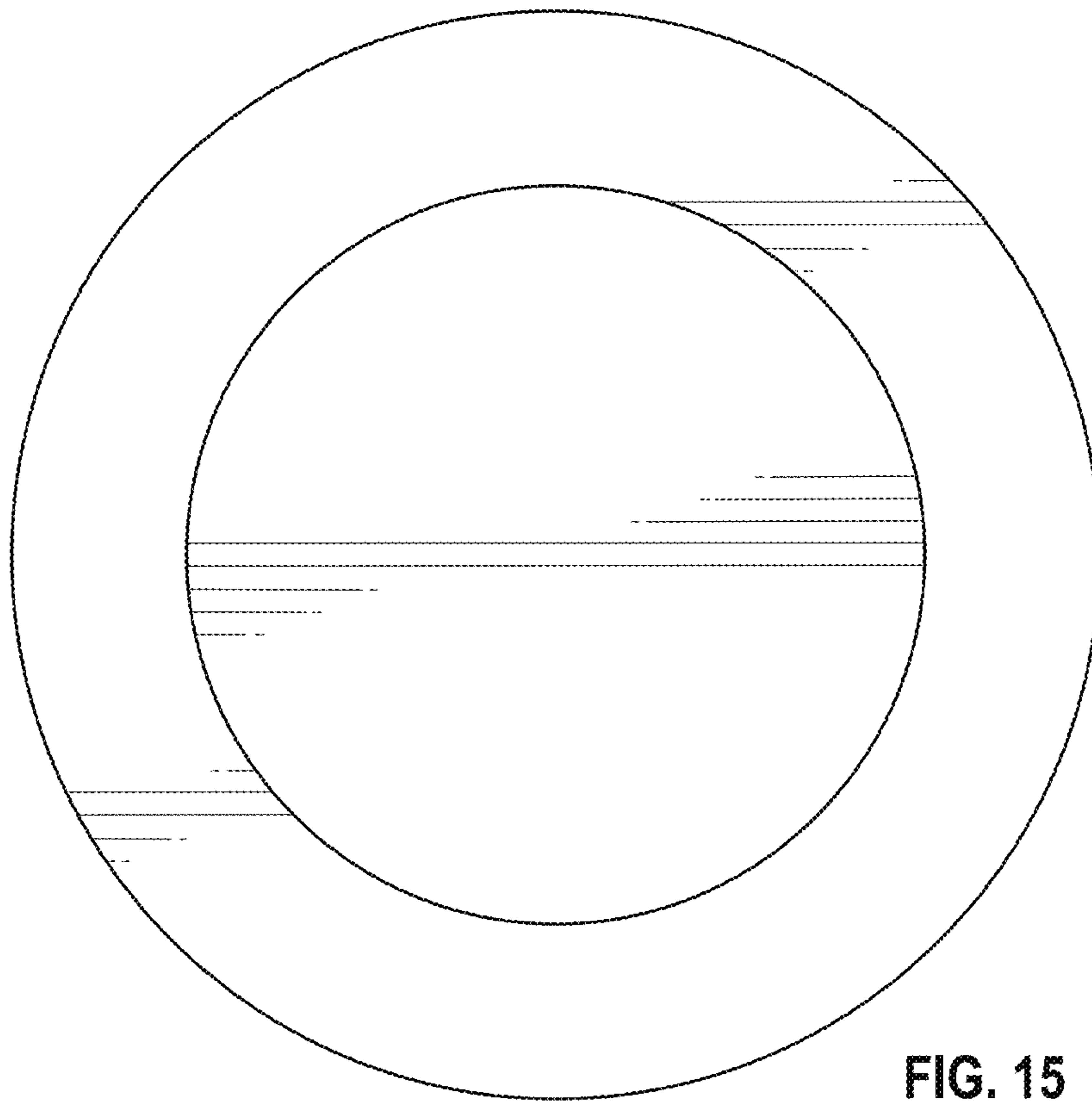


FIG. 15

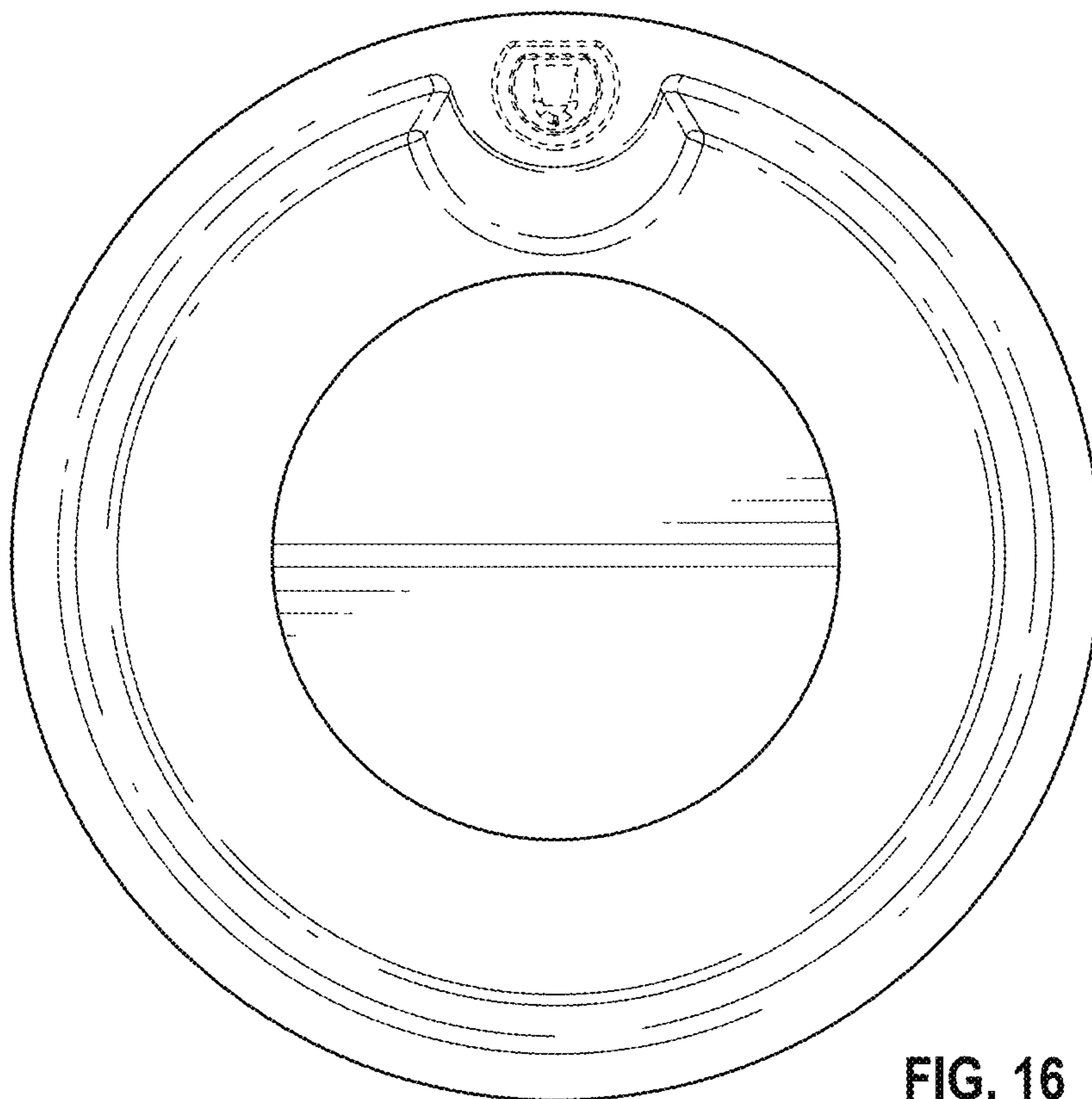


FIG. 16