



US00D769708S

(12) **United States Design Patent** (10) **Patent No.:** **US D769,708 S**
Smith (45) **Date of Patent:** **** Oct. 25, 2016**

(54) **SPHERICAL, FLANGED WASHER**
(71) Applicant: **Gregory Earl Smith**, Lebanon, OH (US)
(72) Inventor: **Gregory Earl Smith**, Lebanon, OH (US)
(73) Assignee: **Engineered Mine Solutions, LLC**, Lebanon, OH (US)
(**) Term: **15 Years**
(21) Appl. No.: **29/541,510**
(22) Filed: **Oct. 5, 2015**
(51) **LOC (10) Cl.** **08-08**
(52) **U.S. Cl.**
USPC **D8/399**
(58) **Field of Classification Search**
USPC D8/399, 382, 349, 397, 394
CPC F16B 31/028; F16B 39/28; F16B 41/005;
F16B 39/34; B65D 39/084; B60B 27/001;
B25B 13/485
See application file for complete search history.

(56) **References Cited**

U.S. PATENT DOCUMENTS

D32,793 S * 6/1900 Fauber 411/427
3,069,919 A * 12/1962 Schultz, Jr. F16H 55/44
474/169
4,793,757 A * 12/1988 Peterson F16B 43/00
411/353
5,079,055 A * 1/1992 Doyle B29C 70/24
411/427
5,833,422 A * 11/1998 Haga F16D 1/0858
411/520
D410,869 S * 6/1999 Singer D12/114
6,039,525 A * 3/2000 Johnson F16B 41/002
411/353
6,231,063 B1 * 5/2001 Chi B62K 21/06
280/276

D480,953 S * 10/2003 Lee D8/399
D517,404 S * 3/2006 Schluter D8/387
D549,091 S * 8/2007 McIntyre D8/399
D644,921 S * 9/2011 Hsu D8/399
D645,337 S * 9/2011 Hsu D8/399
D660,691 S * 5/2012 Yamazaki D8/399
D663,243 S * 7/2012 Li D12/118
D682,666 S * 5/2013 Wigboldy D8/399
D696,930 S * 1/2014 Rodenhouse D8/399
D696,932 S * 1/2014 Rodenhouse D8/399
D710,191 S * 8/2014 Yamazaki D8/399
D749,941 S * 2/2016 Rodenhouse D8/399
D755,622 S * 5/2016 Rodenhouse D8/399
2004/0060723 A1 * 4/2004 Pallapothu B60R 16/0222
174/653
2004/0084099 A1 * 5/2004 Miura F16L 55/1141
138/89
2006/0171794 A1 * 8/2006 Ordonio F16B 37/14
411/369
2008/0310932 A1 * 12/2008 McIntyre B29C 70/80
411/150

* cited by examiner

Primary Examiner — Cynthia Underwood
(74) *Attorney, Agent, or Firm* — Neal O. Willmann

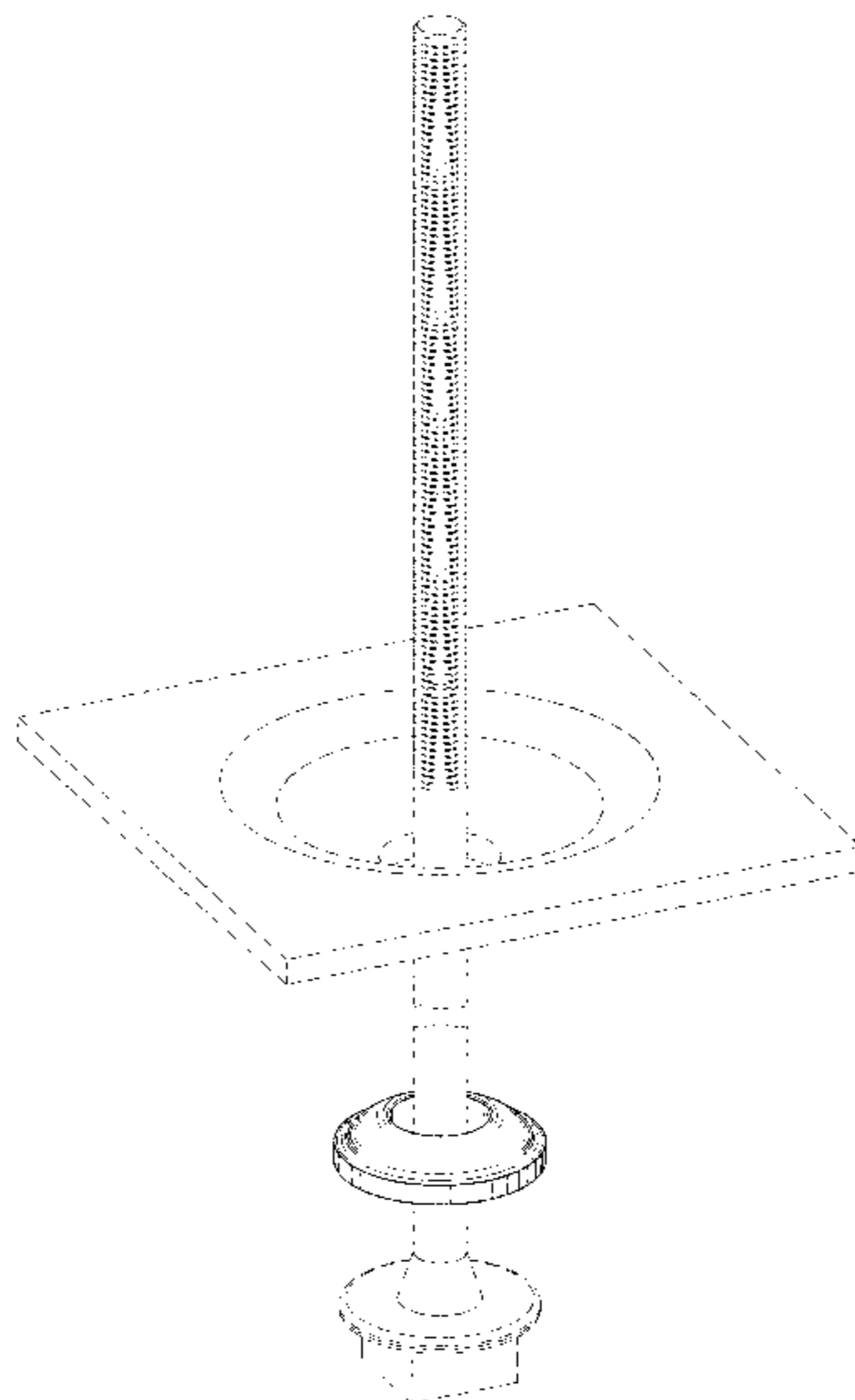
(57) **CLAIM**

The ornamental design for a spherical flanged washer, as shown and described.

DESCRIPTION

FIG. 1 is a perspective, reduced scale view of a spherical flanged washer showing my design;
FIG. 2 is an elevated side view thereof, all sides being the same;
FIG. 3 is a top plan view thereof; and,
FIG. 4 is a bottom plan view thereof.
The bolt and plate shown in broken lines are environmental subject matter included to depict how the claimed design will appear when in use and form no part of the claimed design.

1 Claim, 4 Drawing Sheets



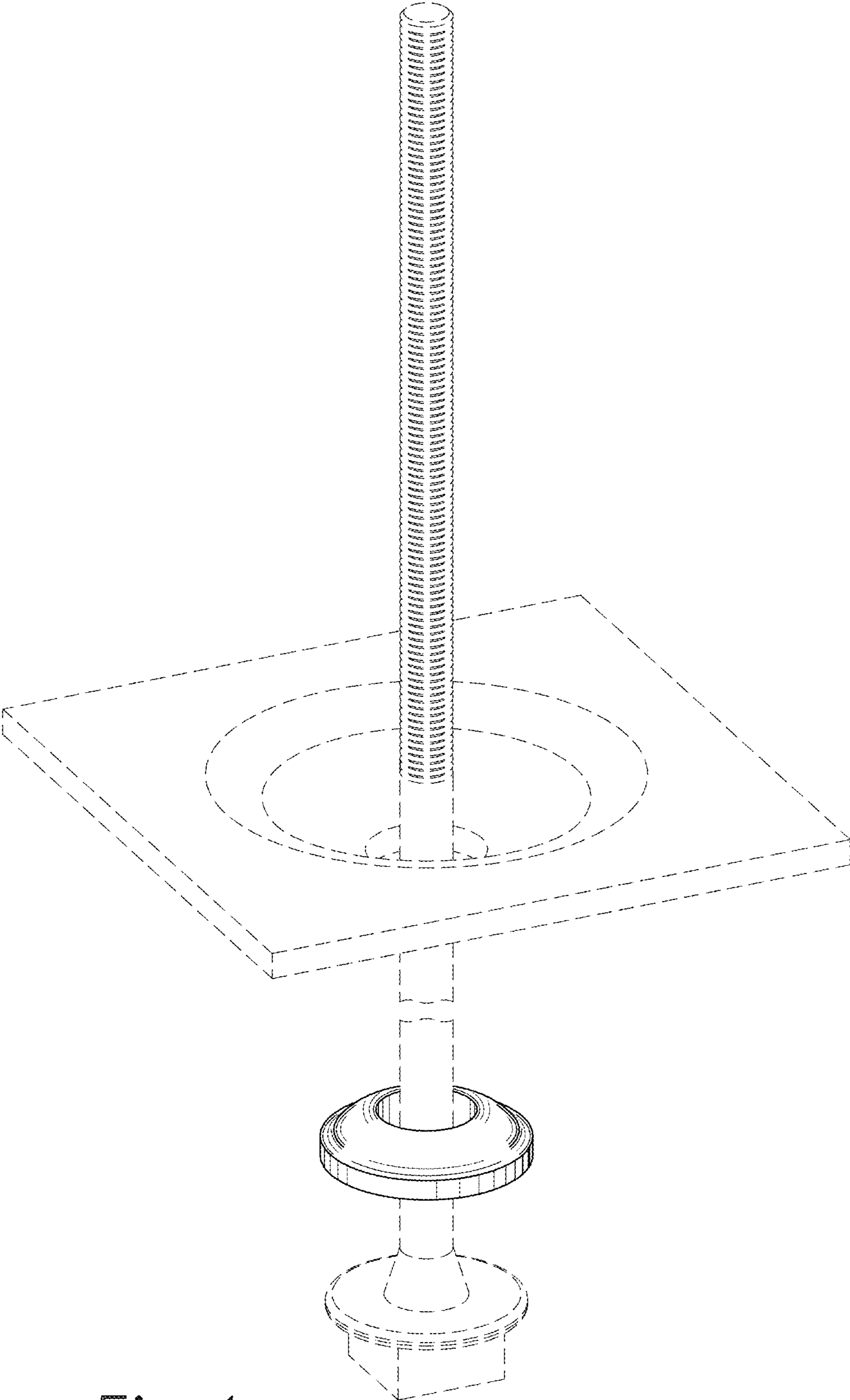


Fig. 1

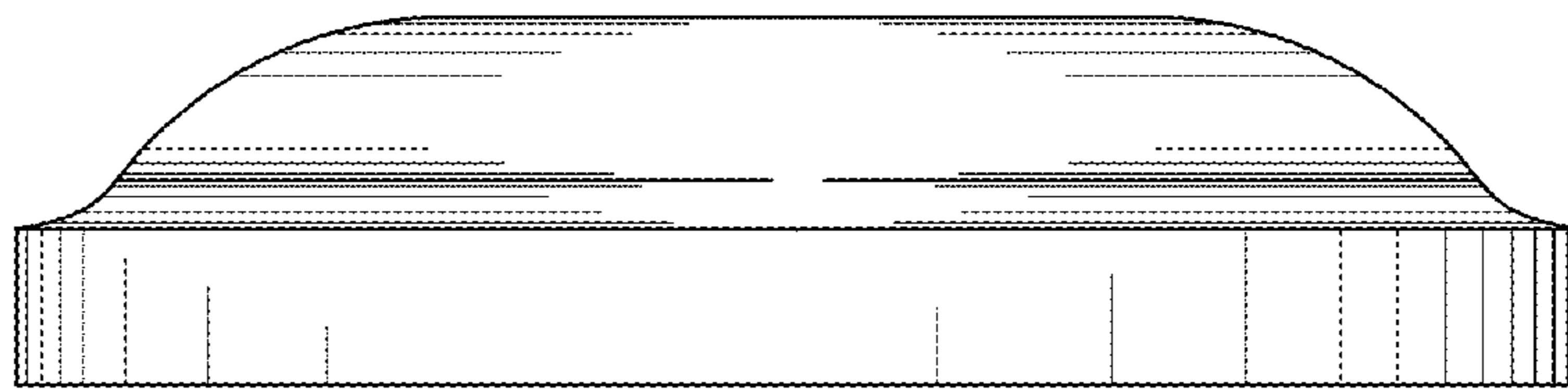


Fig.2

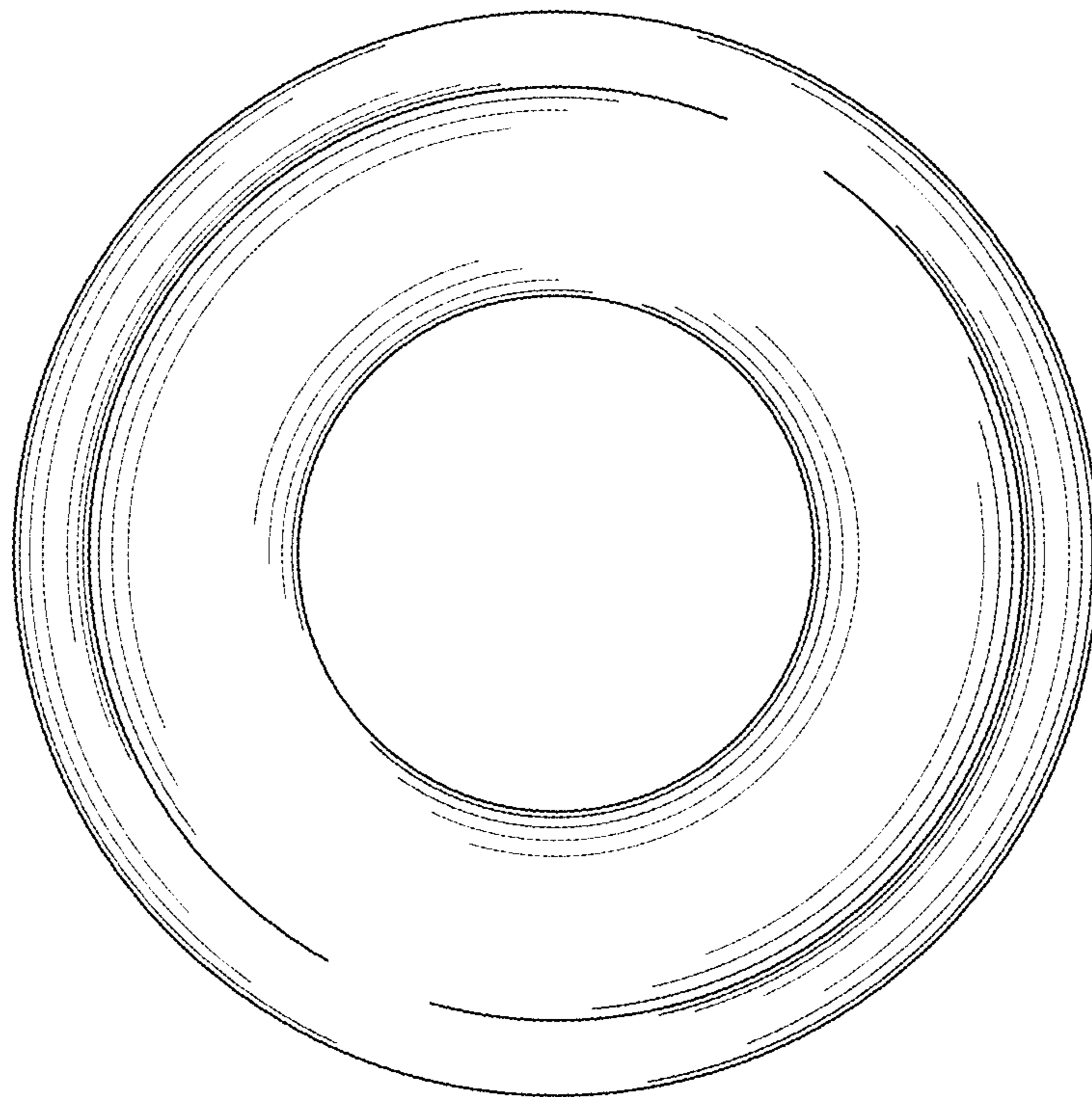


Fig.3

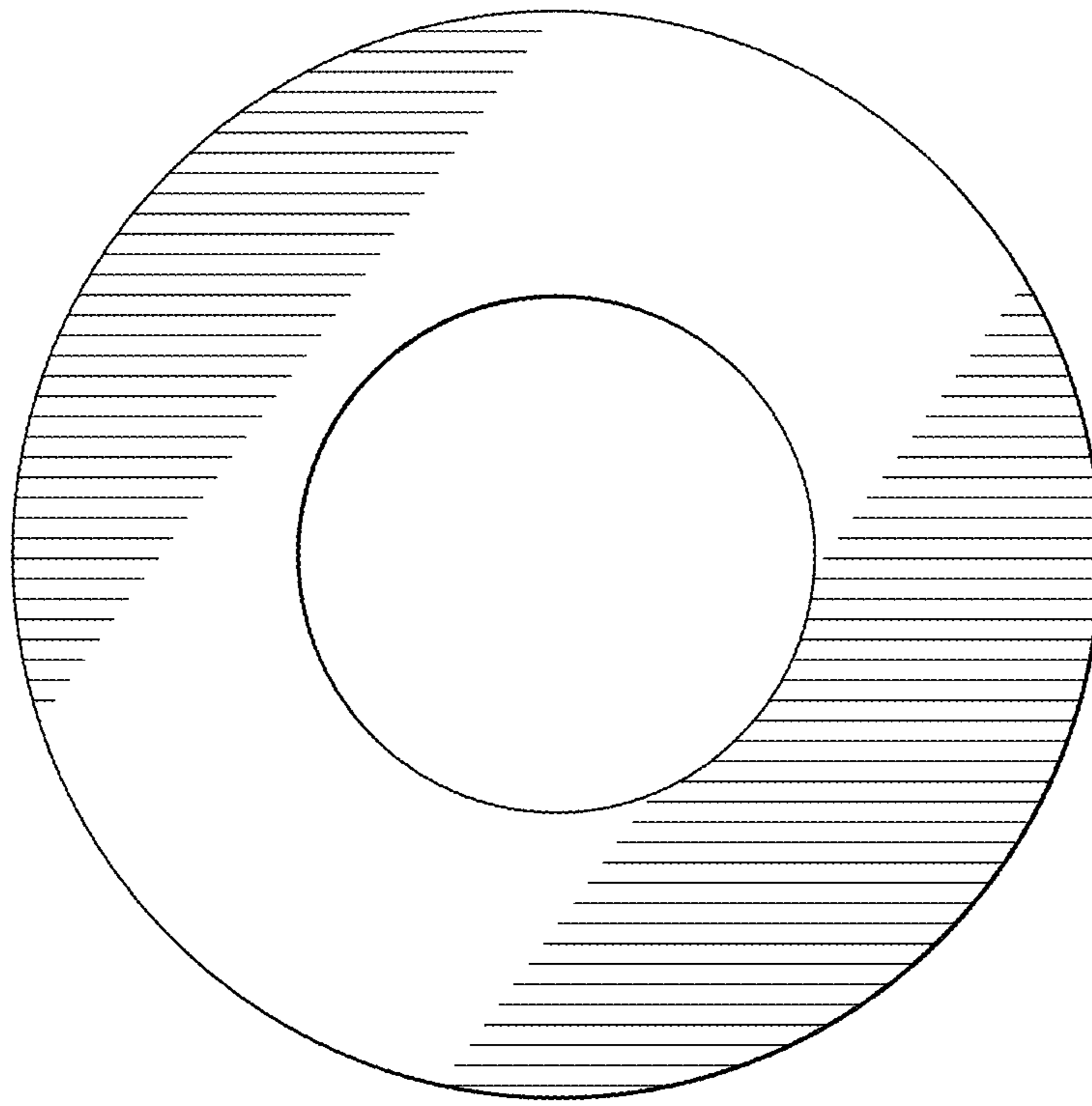


Fig.4