

US00D769707S

(12) **United States Design Patent**
Roentz

(10) **Patent No.:** **US D769,707 S**

(45) **Date of Patent:** **** Oct. 25, 2016**

(54) **DECK UMBRELLA MOUNT**

(71) Applicant: **Thomas John Roentz**, Lexington, KY
(US)

(72) Inventor: **Thomas John Roentz**, Lexington, KY
(US)

(73) Assignee: **Shademount LLC**, Lexington, KY
(US)

(**) Term: **14 Years**

(21) Appl. No.: **29/502,825**

(22) Filed: **Sep. 19, 2014**

(51) **LOC (10) Cl.** **08-08**

(52) **U.S. Cl.**
USPC **D8/396**

(58) **Field of Classification Search**
USPC D8/71, 373, 354, 383, 394-396
CPC E04F 21/18; A47C 9/00; A47C 7/66;
B65G 21/20; B65G 21/2072; B65G 7/12;
A01K 97/10
See application file for complete search history.

(56) **References Cited**

U.S. PATENT DOCUMENTS

110,434	A *	12/1870	Clarke's	A01K 97/10 248/291.1
122,370	A *	1/1872	Doolittle	A01K 97/10 248/515
123,380	A *	2/1872	Clarke	A01K 97/10 126/350.1
125,690	A *	4/1872	Pettibone	A01K 97/10 248/515
218,865	A *	8/1879	Eagan	B65G 7/12 294/26
462,265	A *	11/1891	Mason	A01K 97/10 135/88.02
554,461	A *	2/1896	Schranz	B65G 7/12 24/517
1,095,905	A *	5/1914	May	A01K 97/10 248/515
1,096,999	A *	5/1914	Burtchett	A01K 97/10 248/539

D188,563	S *	8/1960	Vixler	D8/71
3,463,480	A *	8/1969	Edstrom	E04F 21/1855 269/309
D222,578	S *	11/1971	Walker	D8/373
4,036,368	A *	7/1977	Munsch	A01K 97/10 211/70.8
4,190,278	A *	2/1980	Jancik, Jr.	B65G 7/12 294/137
D261,775	S *	11/1981	Valigura	D27/161
D342,200	S *	12/1993	Hass	D8/71

(Continued)

FOREIGN PATENT DOCUMENTS

EM	000709712-0001	*	6/2007
EM	002207746-0003	*	4/2013

OTHER PUBLICATIONS

Almost had to throw the umbrella away! —Custom Outdoor Kitchens—BBQ Source Forums, online, post date Jul. 8, 2010, <http://www.bbqsource-forums.com/invboard/index.php?showtopic=7420>, [site visited Dec. 16, 2015 7:53:18 PM].*

(Continued)

Primary Examiner — John Windmuller
Assistant Examiner — John R Yeh
(74) *Attorney, Agent, or Firm* — James M. Francis

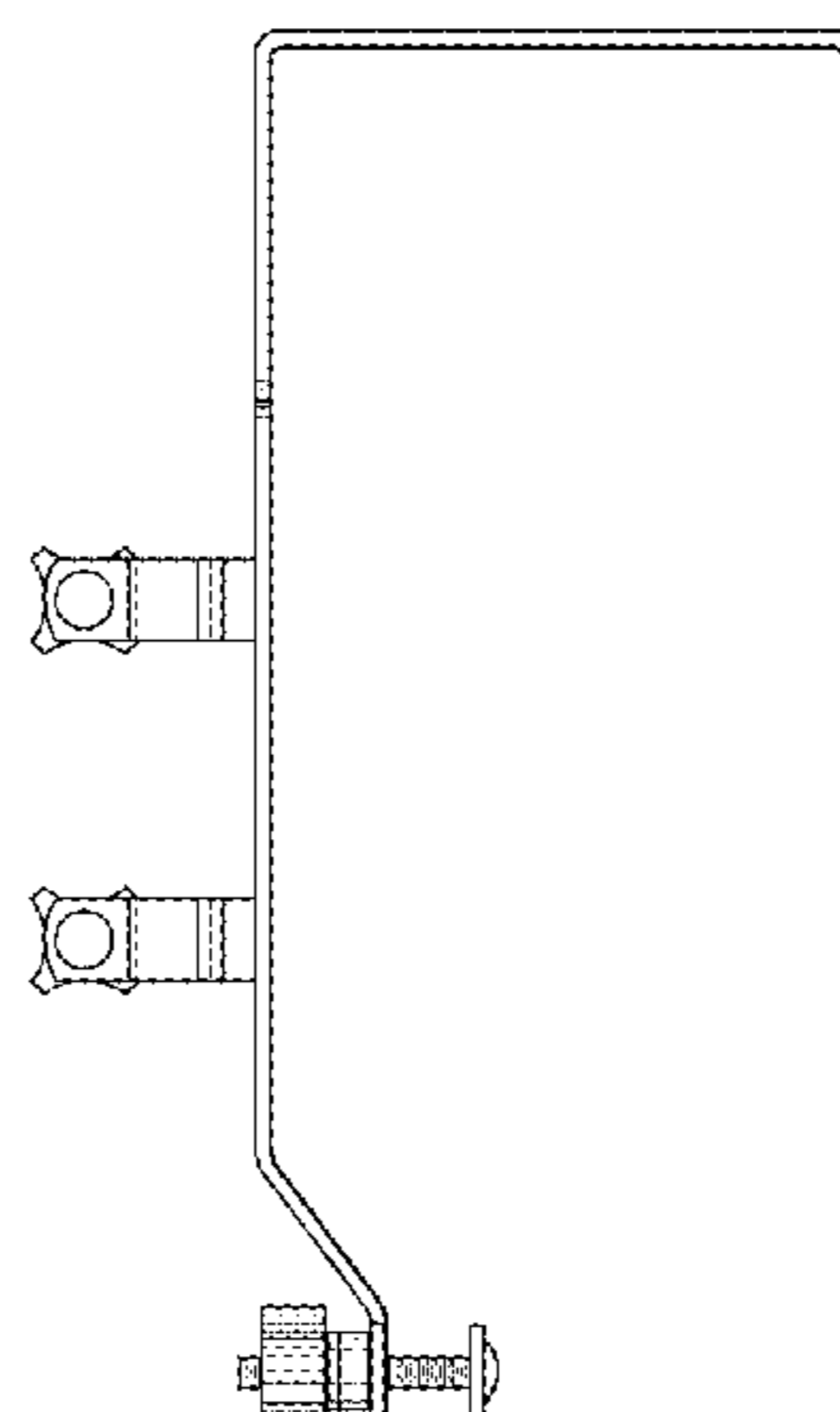
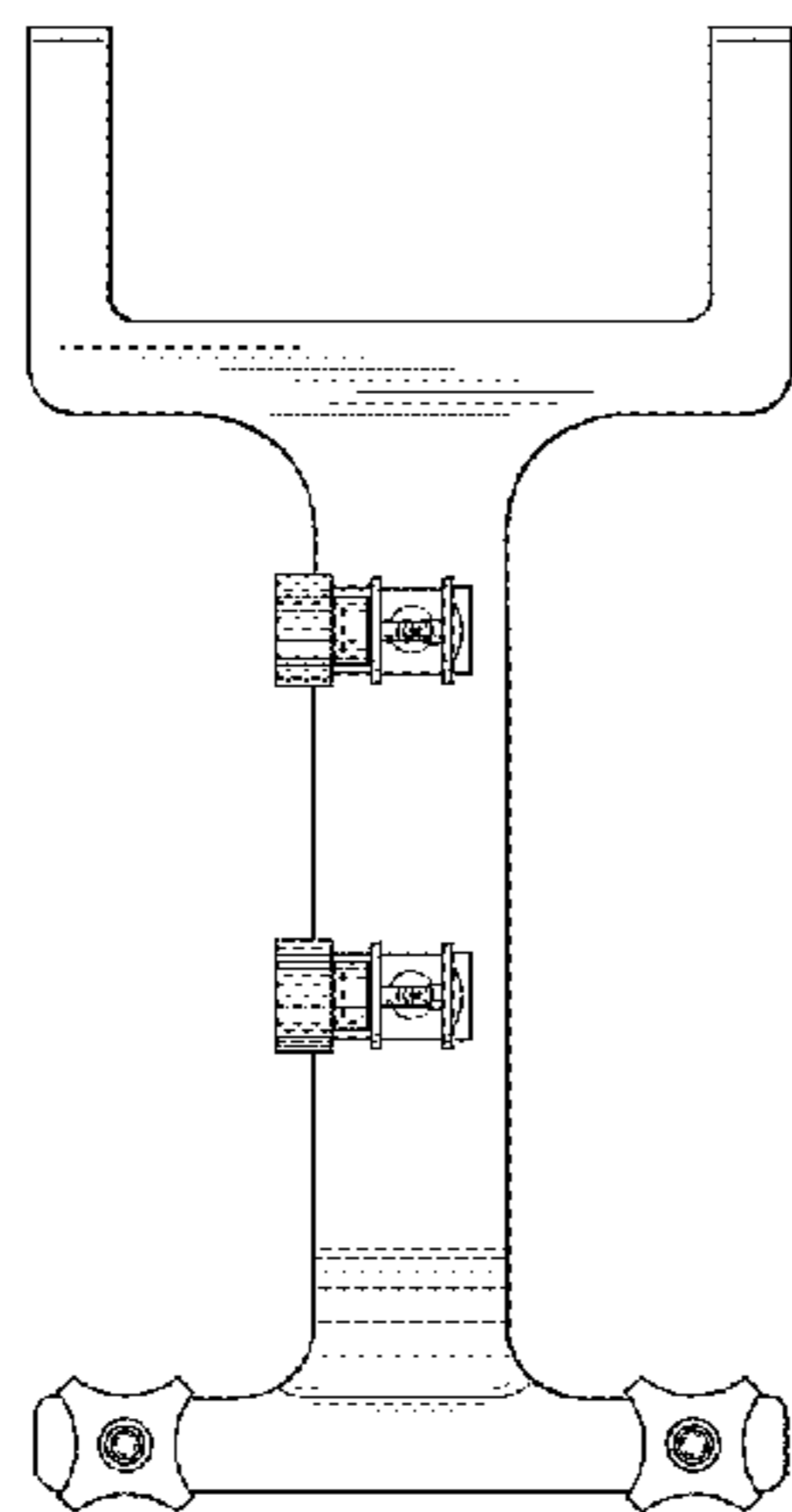
(57) **CLAIM**

The ornamental design for a deck umbrella mount, as shown and described.

DESCRIPTION

FIG. 1 is a front perspective view of the deck umbrella mount as installed on a deck railing; FIG. 2 is a front perspective view of the deck umbrella mount; FIG. 3 is a side perspective view of an embodiment of the deck umbrella mount; FIG. 4 is a rear perspective view of the deck umbrella mount; FIG. 5 is a side perspective view of the deck umbrella mount; FIG. 6 is a bottom perspective view of the deck umbrella mount; and, FIG. 7 is a top perspective view of the deck umbrella mount. The broken lines in the figures represent environment and form no part of the claimed design.

1 Claim, 2 Drawing Sheets



(56)

References Cited

U.S. PATENT DOCUMENTS

5,692,596 A * 12/1997 Ledingham B65G 21/2072
198/836.3
D393,923 S * 4/1998 Dimonekas D27/183
D510,697 S * 10/2005 Gaster D8/383
D538,611 S * 3/2007 Morris D8/14
D565,118 S * 3/2008 Luehne D20/99
7,815,041 B2 * 10/2010 Guenther B65G 21/2072
198/836.1
9,114,932 B1 * 8/2015 Majni B65G 7/12
2002/0148709 A1 * 10/2002 Claig B65G 21/2072
198/860.1

2003/0178540 A1* 9/2003 Ledingham B65G 21/2072
248/214
2004/0135044 A1* 7/2004 Radermacher B65G 21/2072
248/170

OTHER PUBLICATIONS

Amazon.com : Umbrella Mount : Patio Umbrella, online, review
date Jul. 8, 2013, http://www.amazon.com/Railhookz-UPM2-Umbrella-Mount/dp/B002ZNED44/ref=cm_c..., site visited Dec. 16, 2015.*

* cited by examiner

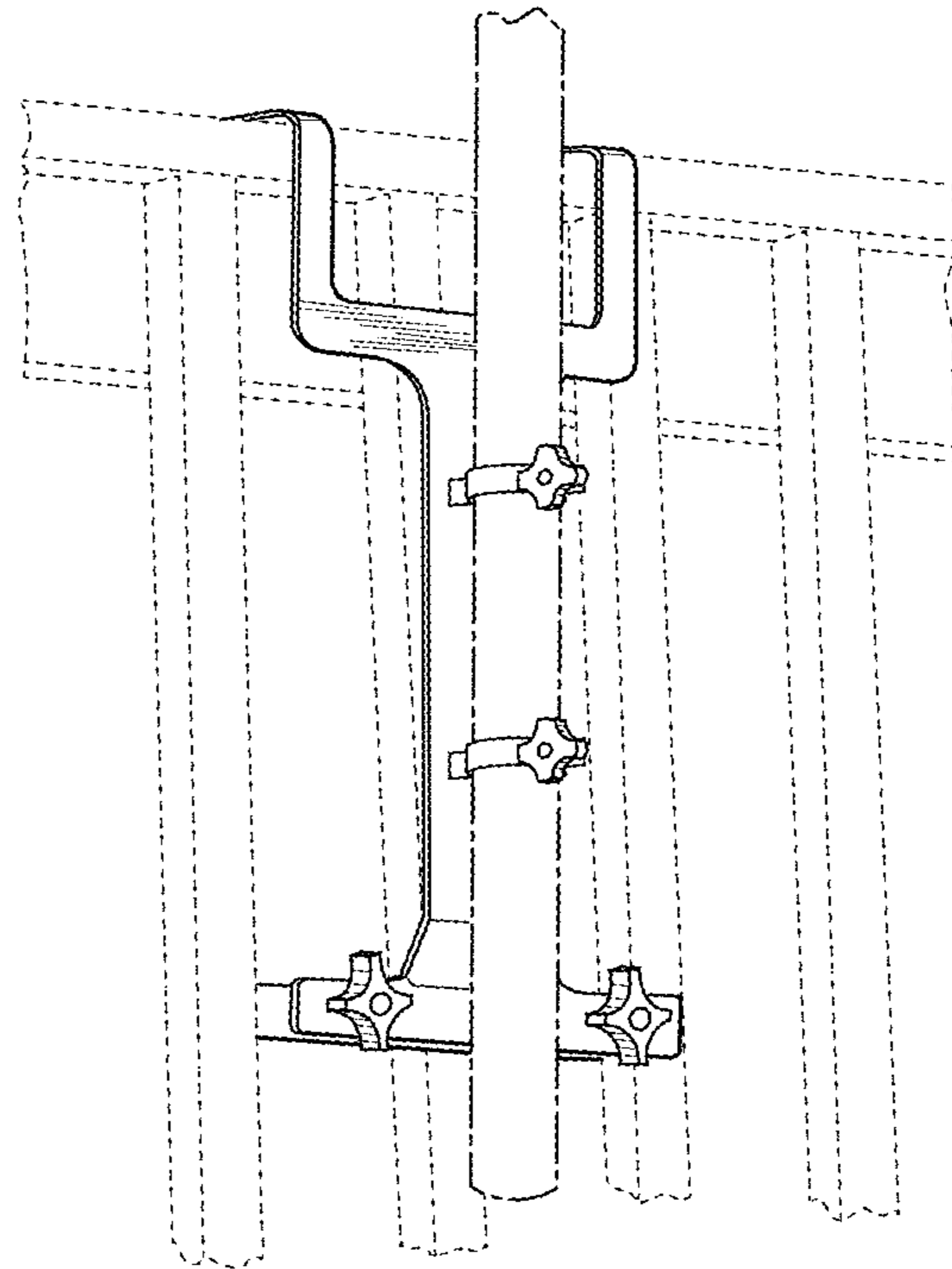


Fig. 1

Fig. 2

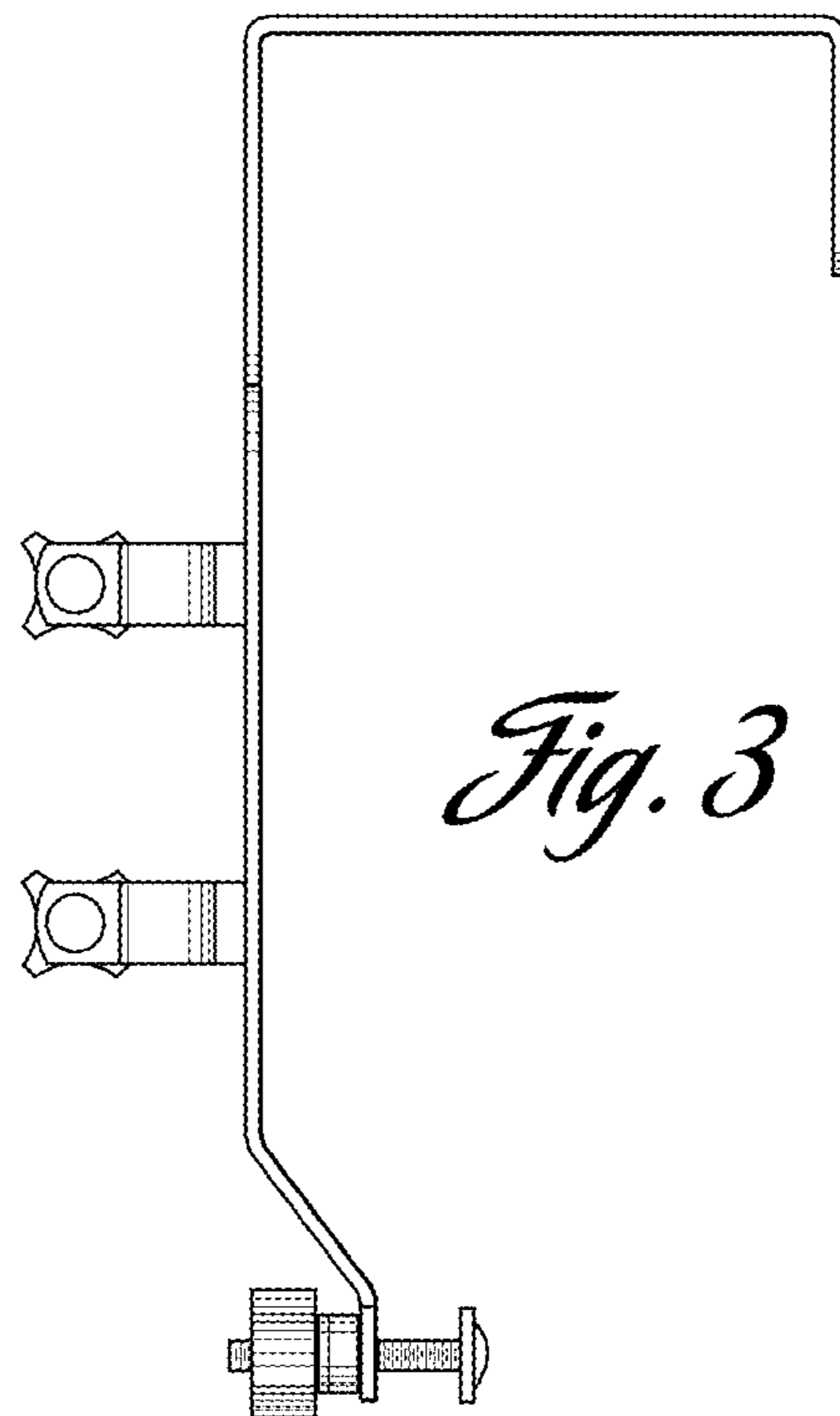
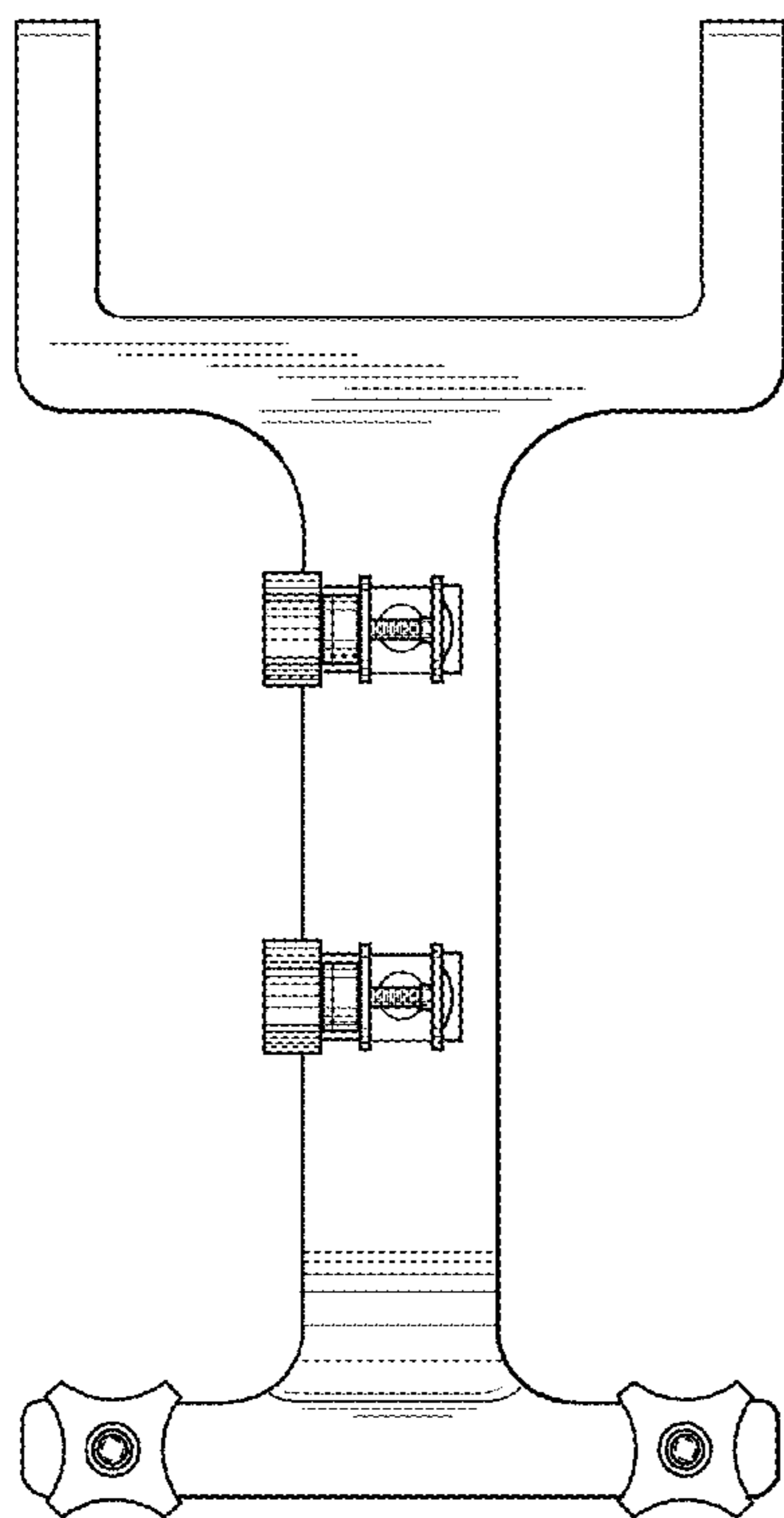


Fig. 3

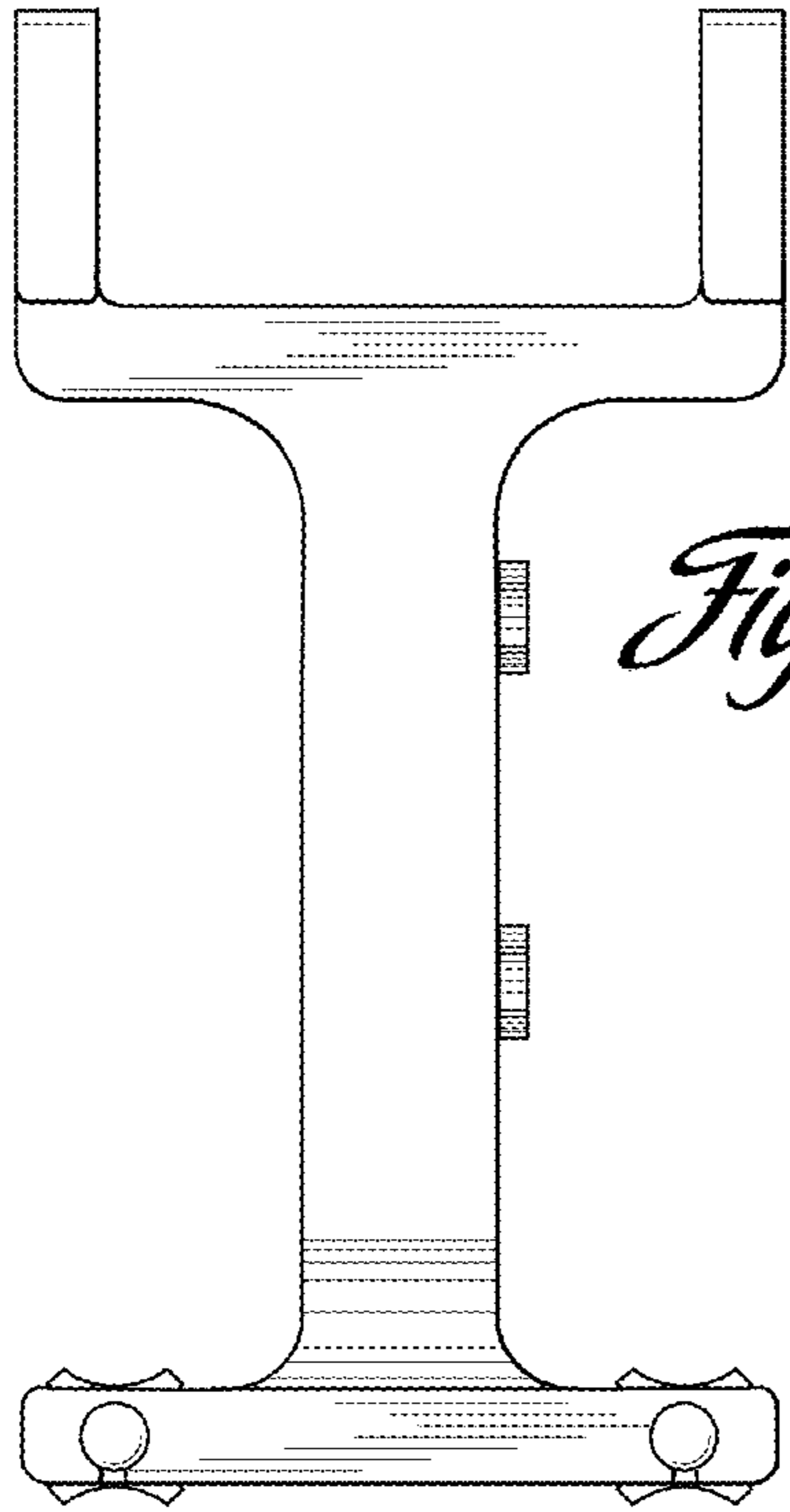


Fig. 4

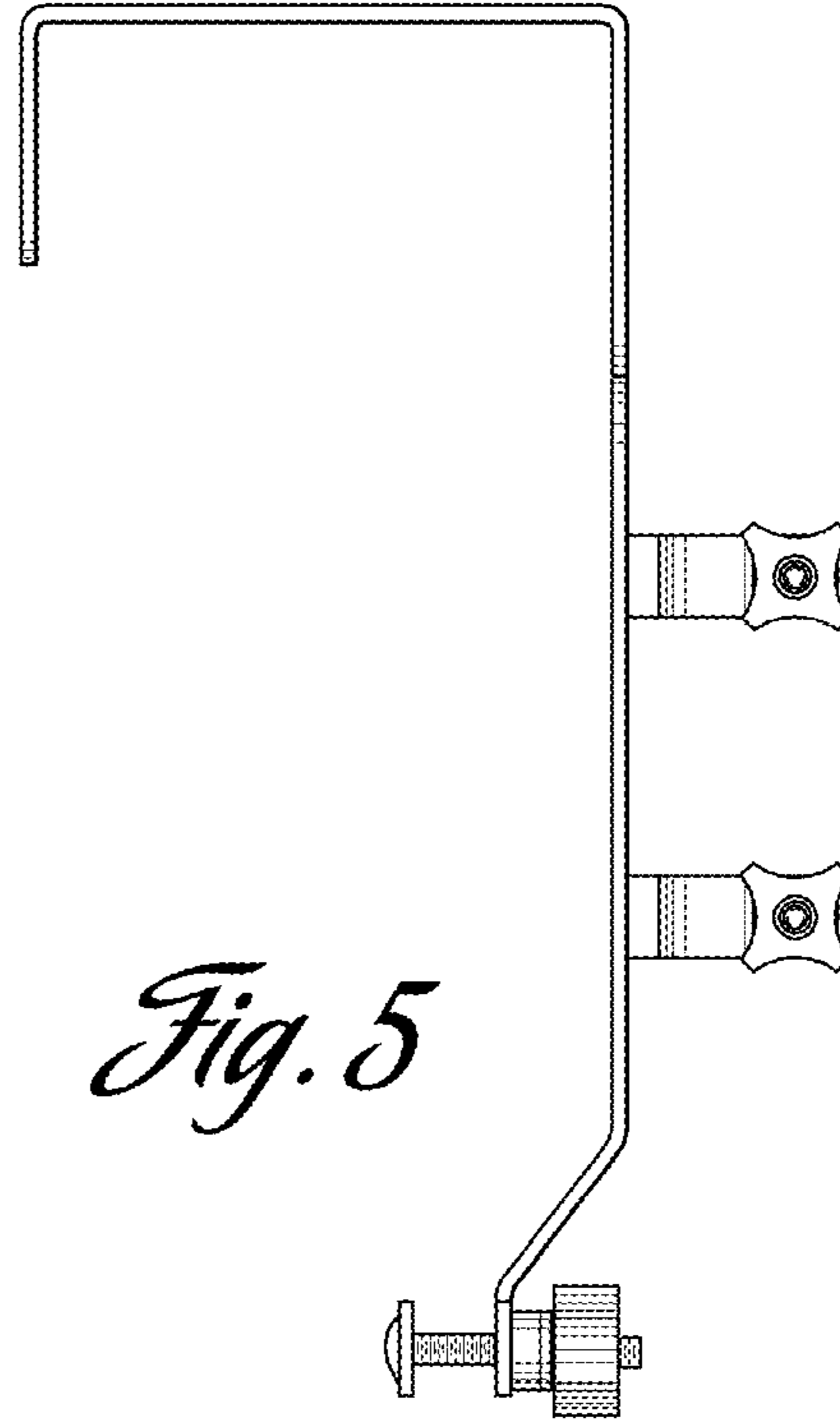


Fig. 5

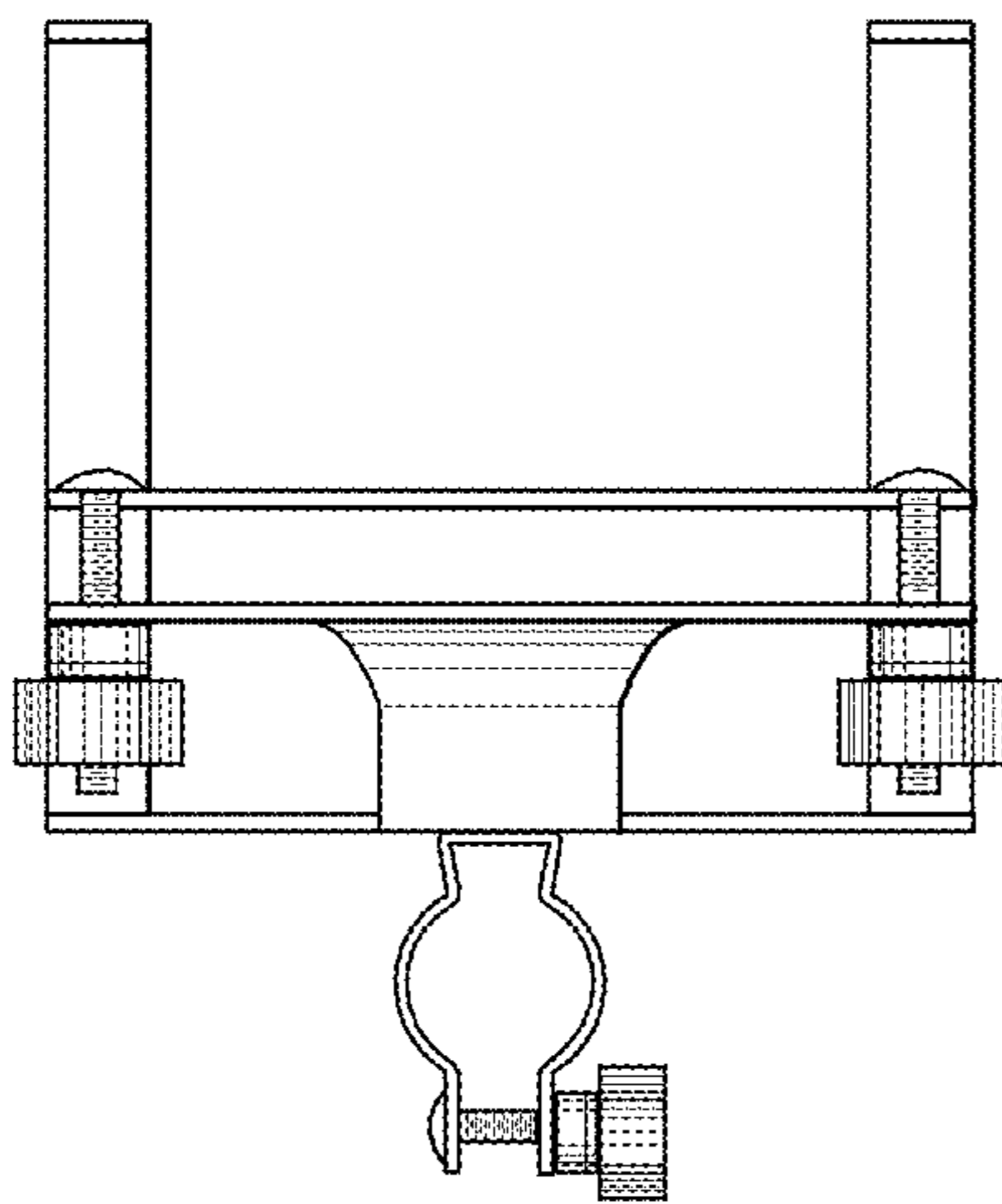


Fig. 6

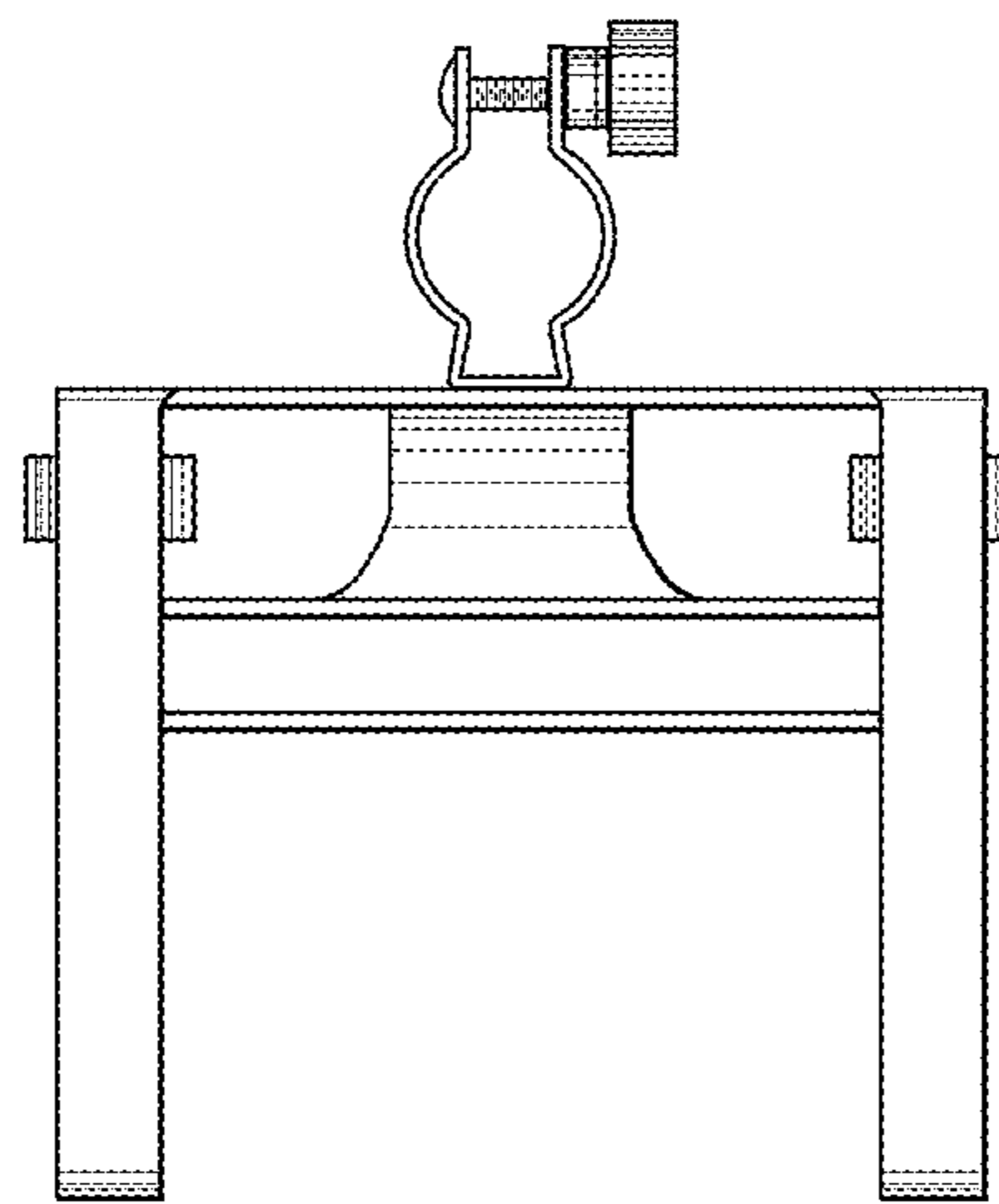


Fig. 7