



US00D769706S

(12) **United States Design Patent**  
**Jankovec et al.**

(10) **Patent No.:** **US D769,706 S**

(45) **Date of Patent:** **\*\* Oct. 25, 2016**

(54) **SEISMIC SEPARATION CLIP FOR  
SUSPENDED CEILING GRID SYSTEMS**

(71) Applicant: **CHICAGO METALLIC COMPANY  
LLC., Chicago, IL (US)**

(72) Inventors: **Scott G. Jankovec, Elmhurst, IL (US);  
Anthony D. Ingratta, Dyer, IN (US);  
Brett N. Christeon, Frankfort, IL (US)**

(73) Assignee: **Rockwool International A/S,  
Hedehusene (DK)**

(\*\*) Term: **14 Years**

(21) Appl. No.: **29/504,513**

(22) Filed: **Oct. 7, 2014**

**Related U.S. Application Data**

(63) Continuation of application No. 14/136,026, filed on  
Dec. 20, 2013, now abandoned.

(51) **LOC (10) Cl.** ..... **08-08**

(52) **U.S. Cl.**  
USPC ..... **D8/394**

(58) **Field of Classification Search**  
USPC ..... D8/356, 371, 394-396, 380; 24/570;  
248/74.2, 215, 227.1, 49, 300, 301,  
248/316.7, 51, 489; D19/65, 56; 52/484,  
52/489, 506.06, 506.07, 733.1; D23/133,  
D23/134  
CPC ..... E04B 9/12; E04B 9/18; E04B 1/98;  
E04B 9/00  
See application file for complete search history.

(56) **References Cited**

**U.S. PATENT DOCUMENTS**

3,216,537 A 11/1965 Nelson  
4,479,341 A 10/1984 Schuplin  
4,580,387 A 4/1986 Rogers  
4,932,173 A \* 6/1990 Commins ..... E04B 1/2608  
403/232.1  
4,995,209 A 2/1991 Cobb

5,046,294 A 9/1991 Platt  
5,077,951 A 1/1992 Baker  
5,937,605 A 8/1999 Wendt  
5,941,029 A \* 8/1999 MacLeod ..... E04B 9/006  
24/336  
5,979,134 A 11/1999 Neff  
6,018,923 A 2/2000 Wendt  
6,138,425 A 10/2000 Wendt  
6,209,268 B1 4/2001 Schmidt  
6,315,489 B1 \* 11/2001 Watanabe ..... E04F 13/0846  
248/220.21  
7,293,393 B2 11/2007 Kelly et al.  
7,478,506 B2 1/2009 Wendt et al.  
7,552,567 B2 6/2009 Ingratta et al.

(Continued)

**OTHER PUBLICATIONS**

International Search Report/Written Opinion from PCT/US2014/  
011851, mailed Apr. 15, 2014.

*Primary Examiner* — John Windmuller

(74) *Attorney, Agent, or Firm* — Cook Alex Ltd.

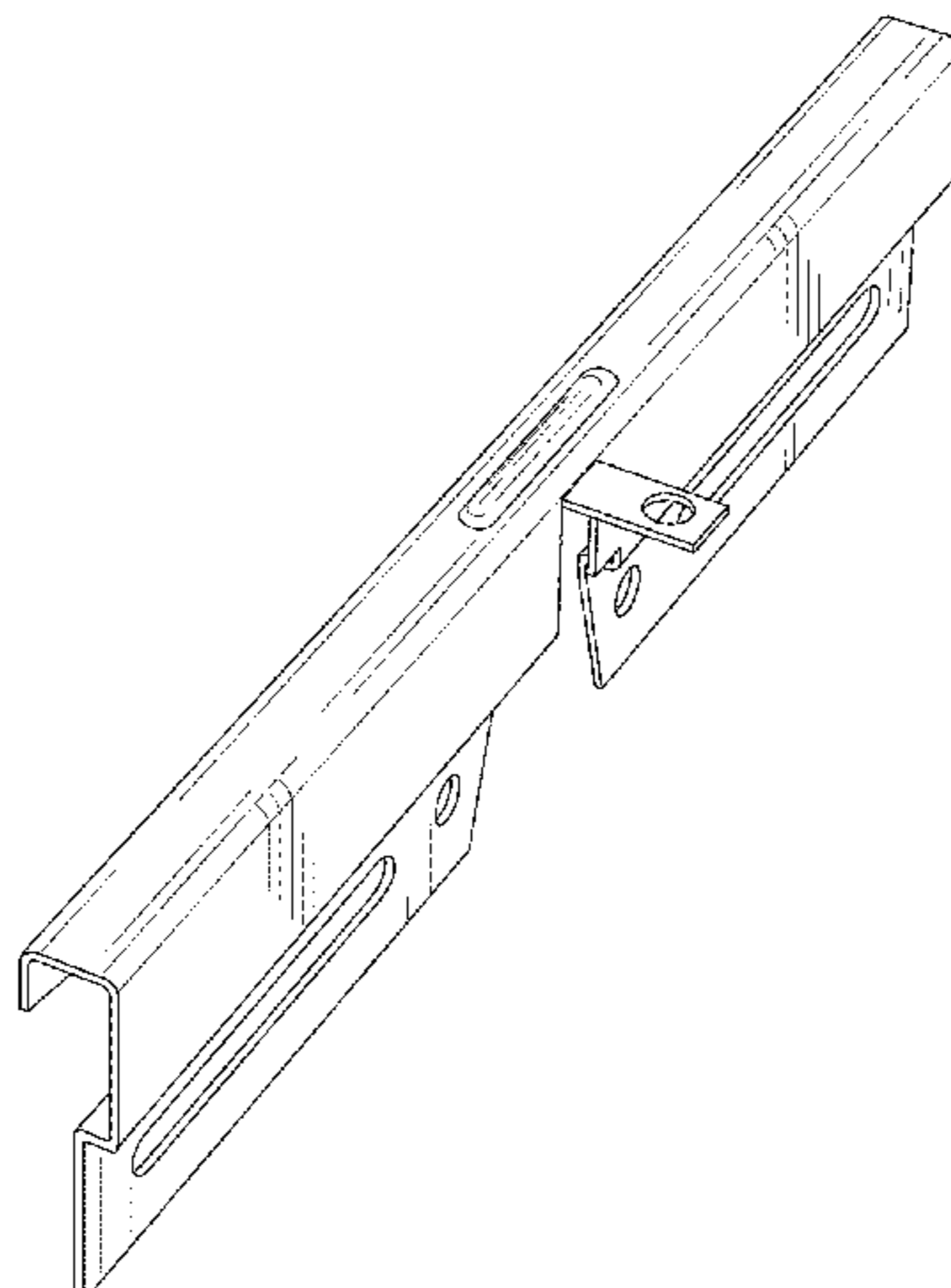
(57) **CLAIM**

The ornamental design for a seismic separation clip for  
suspended ceiling grid systems, as shown and described.

**DESCRIPTION**

FIG. 1 is a perspective view of a seismic separation clip for  
suspended ceiling grid systems showing our new design;  
FIG. 2 is a front view of the seismic separation clip of FIG.  
1;  
FIG. 3 is a rear view of the seismic separation clip of FIG.  
1;  
FIG. 4 is a right side view of the seismic separation clip of  
FIG. 2;  
FIG. 5 is a left side view of the seismic separation clip of  
FIG. 2;  
FIG. 6 is a top view of the seismic separation clip of FIG.  
1; and,  
FIG. 7 is a bottom view of the seismic separation clip of FIG.  
1.

**1 Claim, 3 Drawing Sheets**



(56)

References Cited

U.S. PATENT DOCUMENTS

|              |         |                      |                 |         |   |
|--------------|---------|----------------------|-----------------|---------|---|
| 7,614,195 B2 | 11/2009 | Platt et al.         | D662,406 S      | 6/2012  | Zhang et al.                              |
| 7,661,236 B2 | 2/2010  | Platt et al.         | D662,407 S      | 6/2012  | Mathur                                    |
| D611,332 S   | 3/2010  | Tedesco et al.       | D662,408 S      | 6/2012  | Mathur                                    |
| 7,673,429 B2 | 3/2010  | Frecska              | D662,809 S      | 7/2012  | Zhang et al.                              |
| 7,770,349 B2 | 8/2010  | Tedesco et al.       | D664,029 S      | 7/2012  | Mathur                                    |
| 7,788,872 B2 | 9/2010  | Platt                | 8,209,931 B2    | 7/2012  | Sareyka                                   |
| 7,930,864 B2 | 4/2011  | Wendt                | 8,397,458 B2    | 3/2013  | Tedesco et al.                            |
| D637,898 S * | 5/2011  | Tedesco ..... D8/380 | D679,176 S *    | 4/2013  | Tedesco ..... D8/380                      |
| D637,899 S   | 5/2011  | Tedesco et al.       | 8,413,402 B2    | 4/2013  | Sareyka                                   |
| D638,286 S * | 5/2011  | Tedesco ..... D8/380 | 8,443,564 B2    | 5/2013  | Bankston, Jr.                             |
| D638,287 S * | 5/2011  | Tedesco ..... D8/380 | 8,615,948 B2 *  | 12/2013 | Underkofler ..... E04B 9/067<br>52/506.06 |
| D638,288 S   | 5/2011  | Tedesco et al.       | D733,934 S *    | 7/2015  | Underkofler ..... D25/102                 |
| D638,289 S   | 5/2011  | Tedesco et al.       | 2008/0060306 A1 | 3/2008  | Platt et al.                              |
| 8,046,966 B2 | 11/2011 | Moore et al.         | 2009/0223146 A1 | 9/2009  | Platt                                     |
| 8,117,793 B2 | 2/2012  | Jankovec et al.      | 2010/0005747 A1 | 1/2010  | Tedesco et al.                            |
| D661,576 S   | 6/2012  | Mathur               | 2011/0146194 A1 | 6/2011  | Tedesco et al.                            |
| D662,404 S   | 6/2012  | Zhang et al.         | 2011/0283634 A1 | 11/2011 | Underkofler et al.                        |
| D662,405 S   | 6/2012  | Zhang et al.         | 2012/0047836 A1 | 3/2012  | Sareyka                                   |
|              |         |                      | 2013/0042560 A1 | 2/2013  | Platt et al.                              |

\* cited by examiner

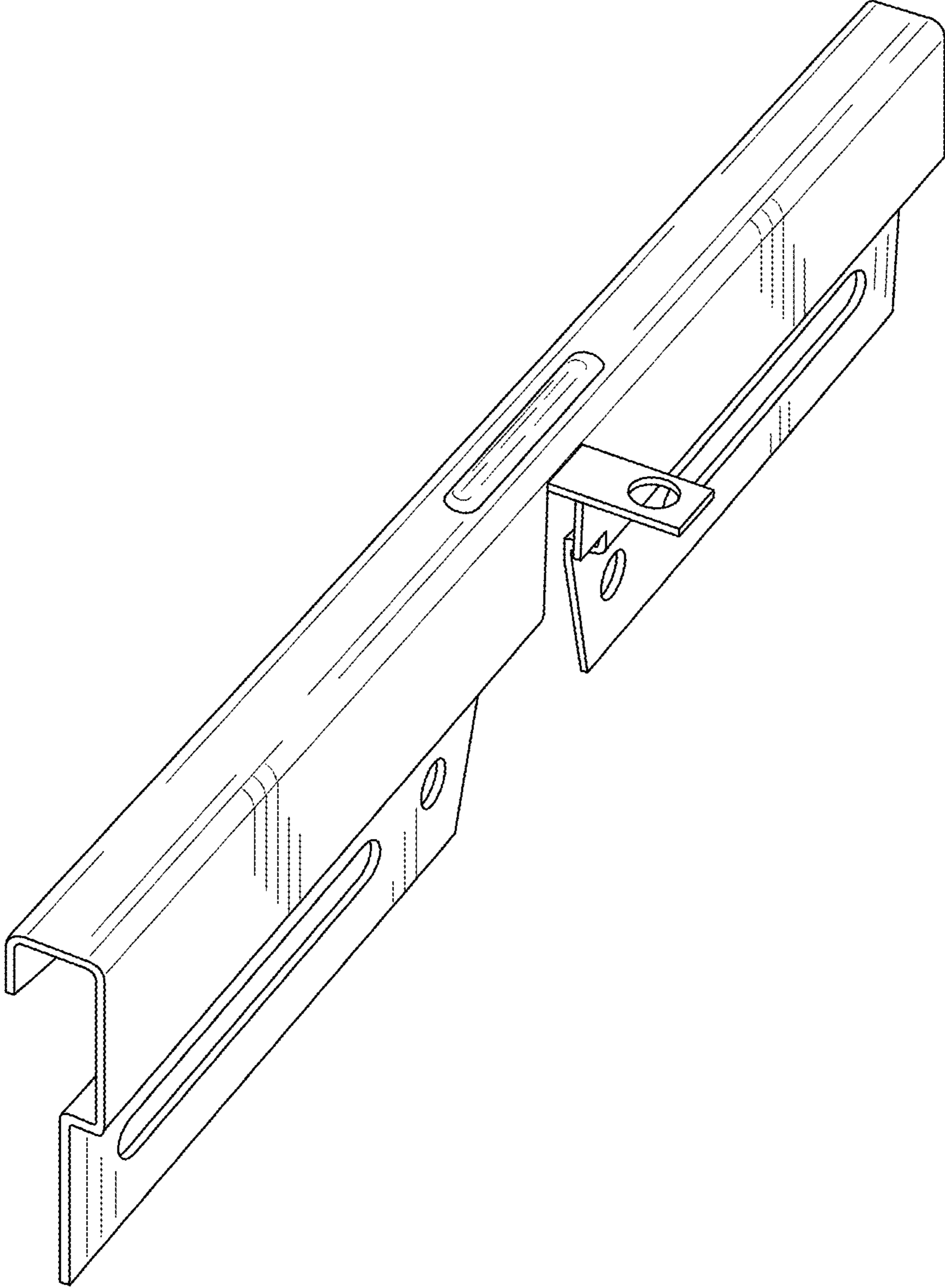


FIG. 1

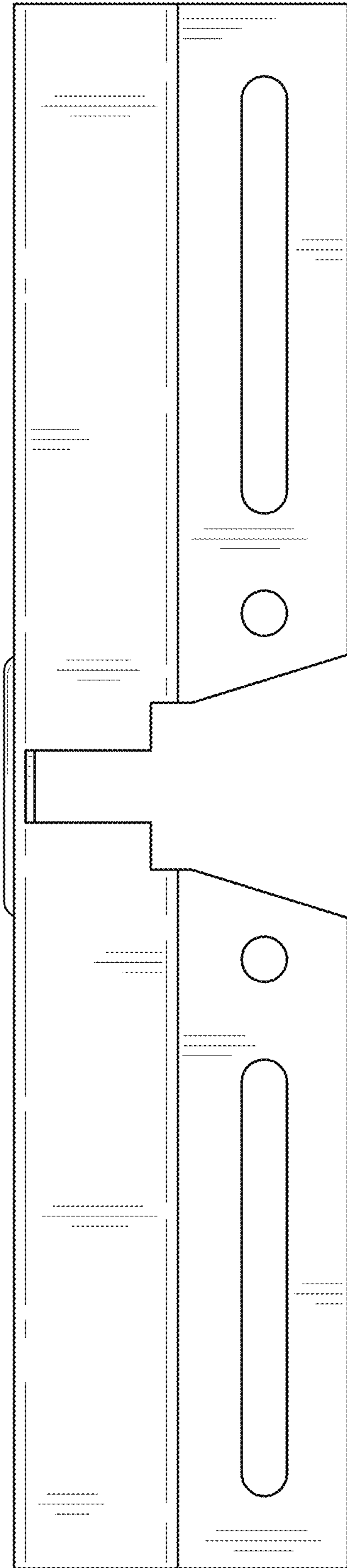


FIG. 2

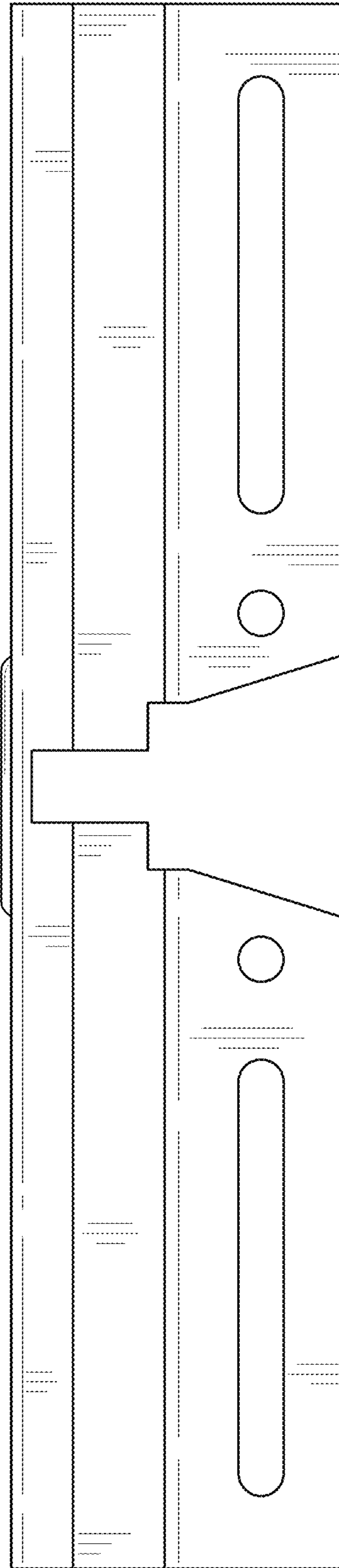


FIG. 3



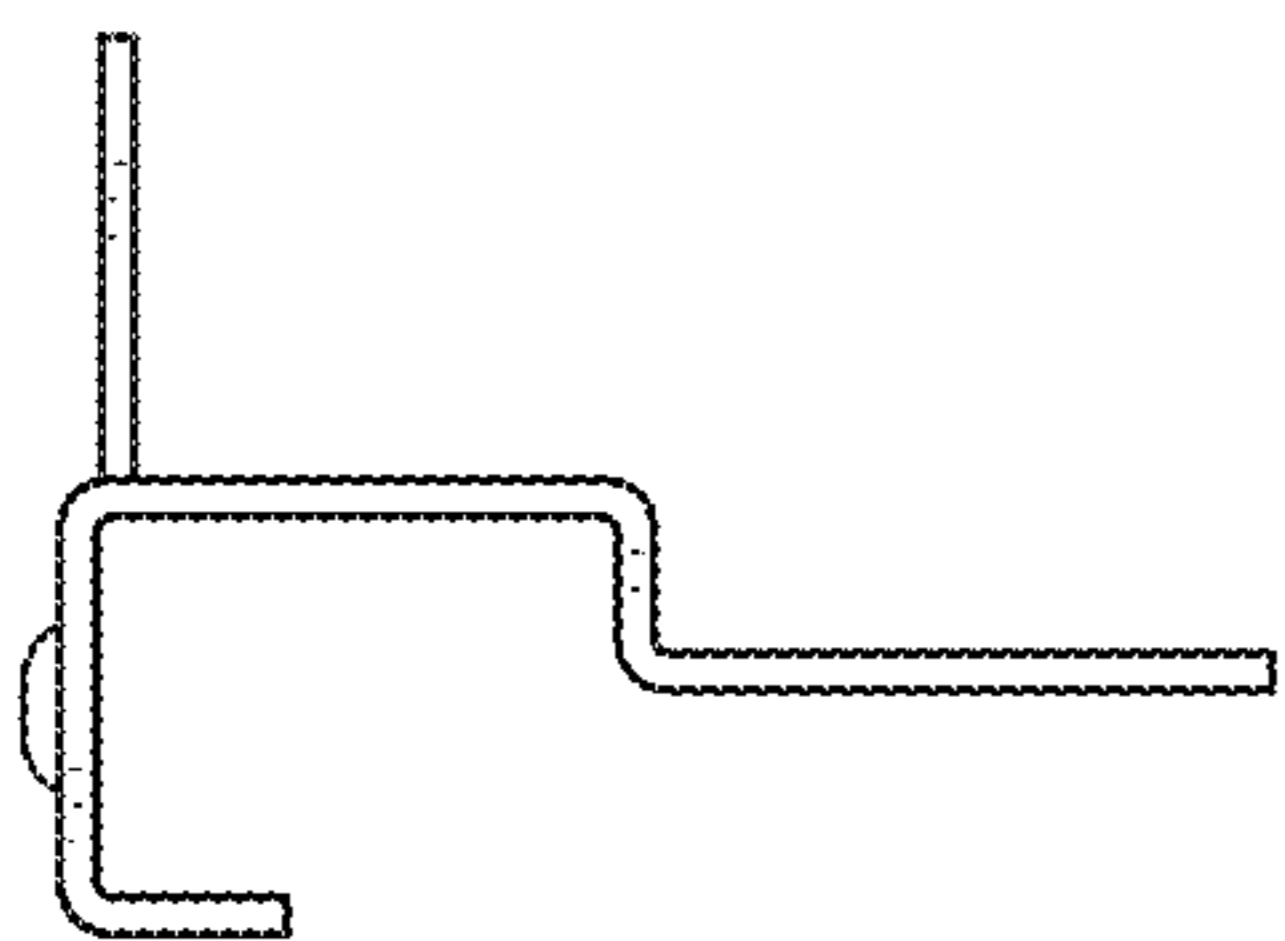


FIG. 4

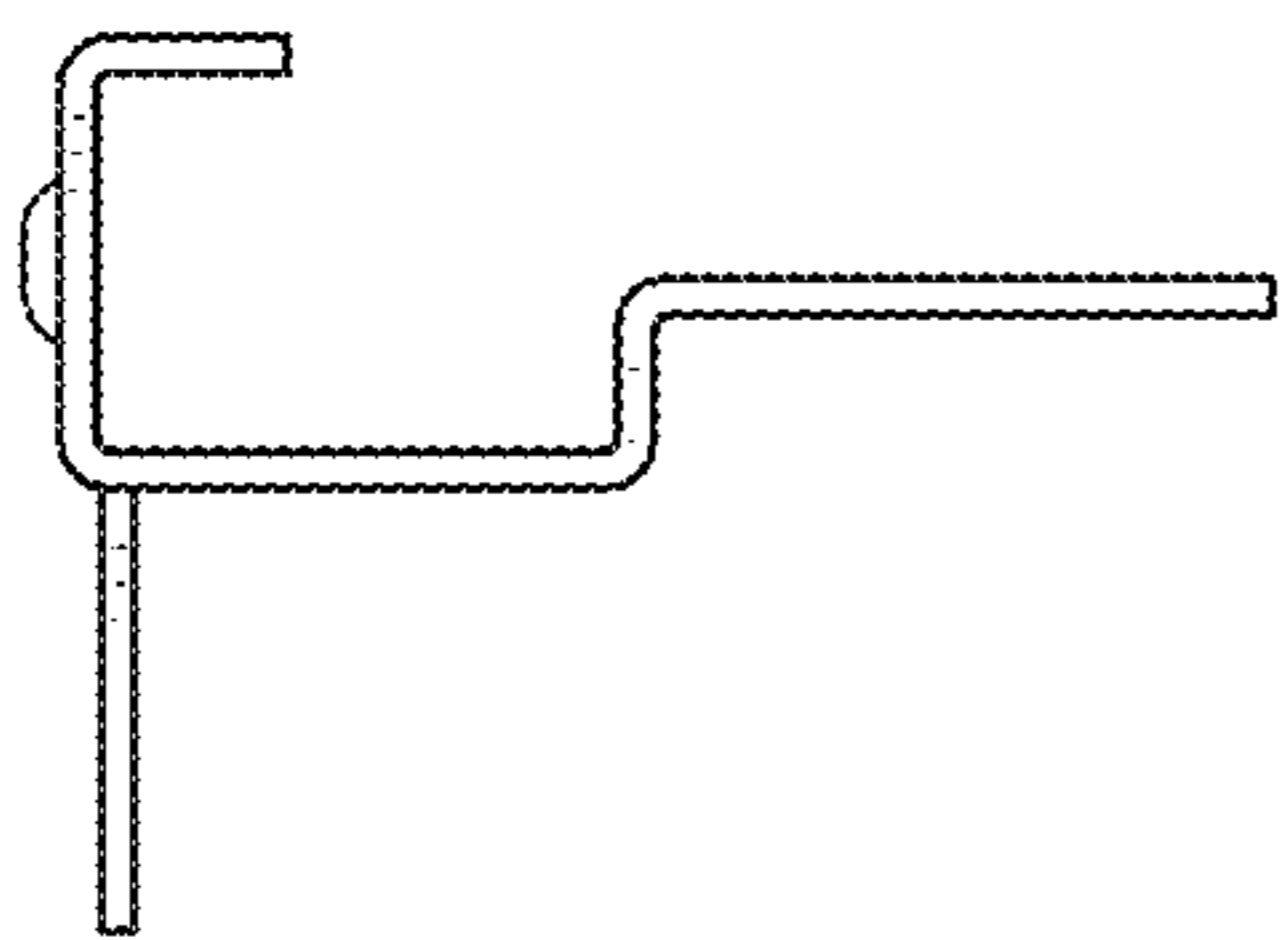


FIG. 5

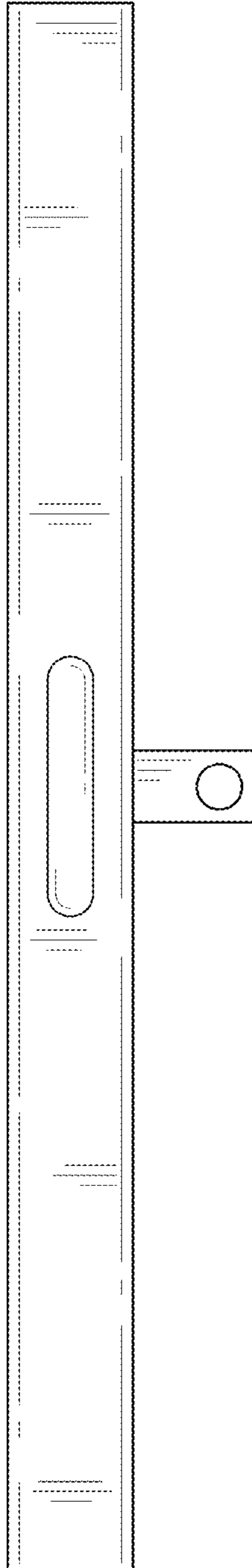


FIG. 6

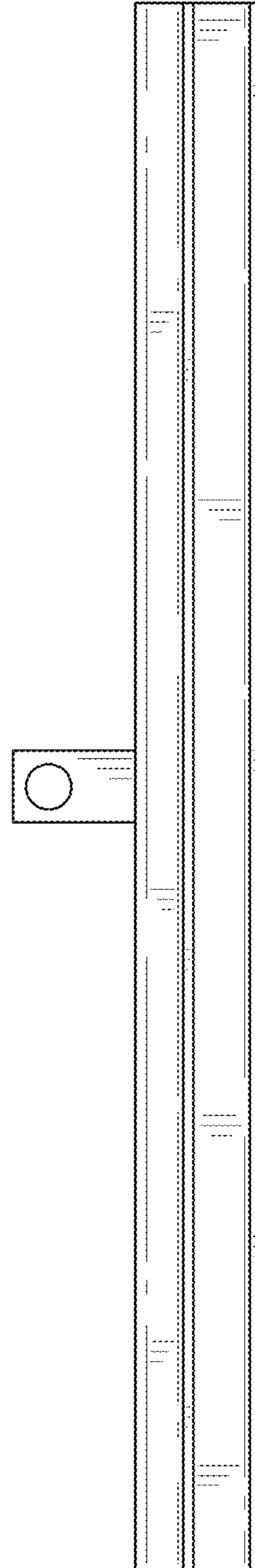


FIG. 7