



US00D769705S

(12) **United States Design Patent**
Moreau et al.

(10) **Patent No.:** **US D769,705 S**

(45) **Date of Patent:** **** Oct. 25, 2016**

- (54) **FITTING WITH SWIVEL D-RING**
- (71) Applicant: **Ty-Flot, Inc.**, Manchester, NH (US)
- (72) Inventors: **Darrell A. Moreau**, Manchester, NH (US); **Andre W. Moreau**, Bedford, NH (US)
- (73) Assignee: **TY-FLOT, INC.**, Manchester, NH (US)

D466,001	S	*	11/2002	Monson	D8/387
D492,619	S	*	7/2004	Udolph	D11/200
D503,432	S	*	3/2005	Huang	D19/65
7,735,235	B2	*	6/2010	Waddell	B63B 17/02
						114/361
D638,695	S	*	5/2011	Woodrow	D8/382
D642,896	S	*	8/2011	Buras, Jr.	D11/200
D662,807	S	*	7/2012	Waddell	D8/382
D686,943	S	*	7/2013	Watson	D11/201
D751,460	S	*	3/2016	Jankowski	D11/200

(**) Term: **15 Years**

(21) Appl. No.: **29/532,234**

(22) Filed: **Jul. 2, 2015**

(51) **LOC (10) Cl.** **08-08**

(52) **U.S. Cl.**
USPC **D8/387**; D8/382; D11/201

(58) **Field of Classification Search**
USPC D11/1-2, 200-201, 206-210, 214-218, D11/222, 223; 24/163 R, 169-171, 173, 24/177-179, 191, 194-195, 197, 200, 24/614-616, 625, 198, 578.11, 578.1, 24/163 K, 114; D8/382, 387, 388, 370, D8/391, 354, 380; 33/664
CPC A41F 11/04; A41F 9/00; F16B 21/04; F16B 25/0015; F16B 25/0057; A01G 25/023
See application file for complete search history.

(56) **References Cited**

U.S. PATENT DOCUMENTS

4,398,322	A	*	8/1983	Ewen	F16B 21/04
						24/595.1
D347,787	S	*	6/1994	Galmines	D11/76
D354,924	S	*	1/1995	Garner	D10/106.91
D377,919	S	*	2/1997	Singer	D11/222
D378,987	S	*	4/1997	Ross	D8/356
D426,146	S	*	6/2000	Bruns	D8/387

* cited by examiner

Primary Examiner — Ralf Seifert

(74) *Attorney, Agent, or Firm* — Mesmer & Deleault PLLC

(57) **CLAIM**

We claim the ornamental design for a fitting with swivel D-ring, as shown and described.

DESCRIPTION

FIG. 1 is a first-end, top, and side perspective view showing our new design for a fitting with swivel D-ring, where the D-ring is pivoted to a top position;
 FIG. 2 is a side elevational view thereof;
 FIG. 3 is a second-end, top, and side perspective view thereof;
 FIG. 4 is a first-end elevational view thereof;
 FIG. 5 is a top plan view thereof;
 FIG. 6 is a first-end, top, and side perspective view thereof showing the D-ring pivoted to an end position;
 FIG. 7 is a side elevational view thereof;
 FIG. 8 is a second-end, top, and side perspective view thereof;
 FIG. 9 is second-end elevational view thereof; and,
 FIG. 10 is a top plan view thereof.

1 Claim, 1 Drawing Sheet

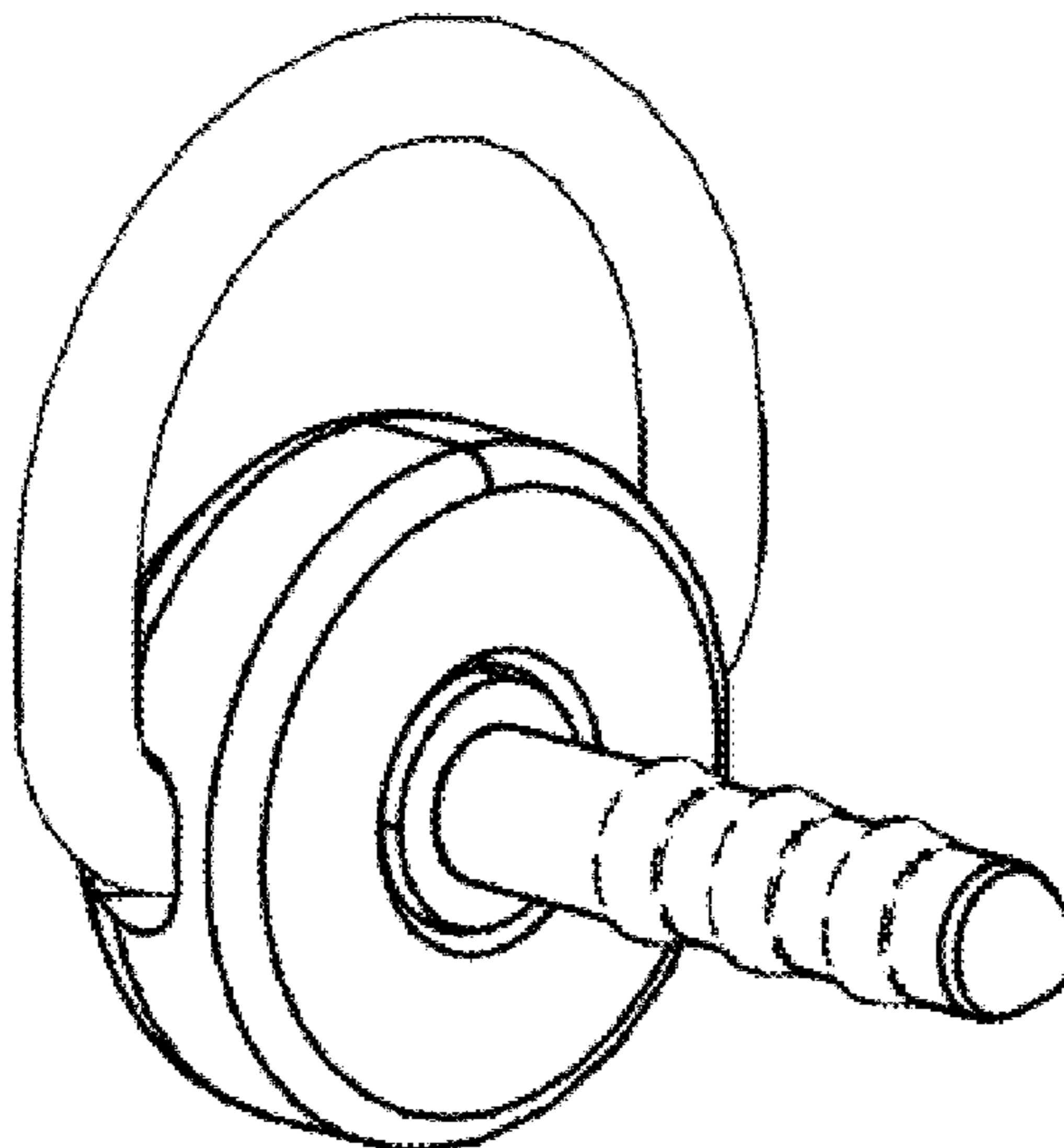


Fig. 1

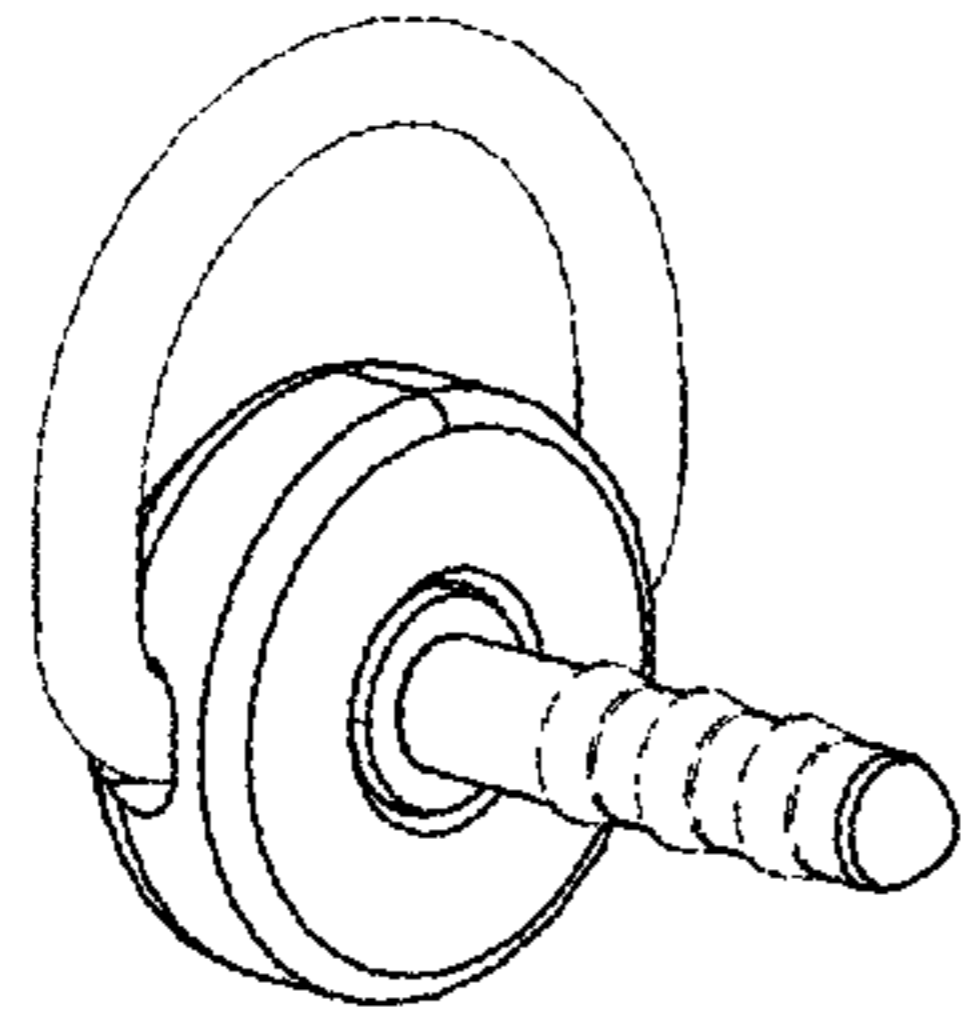


Fig. 6

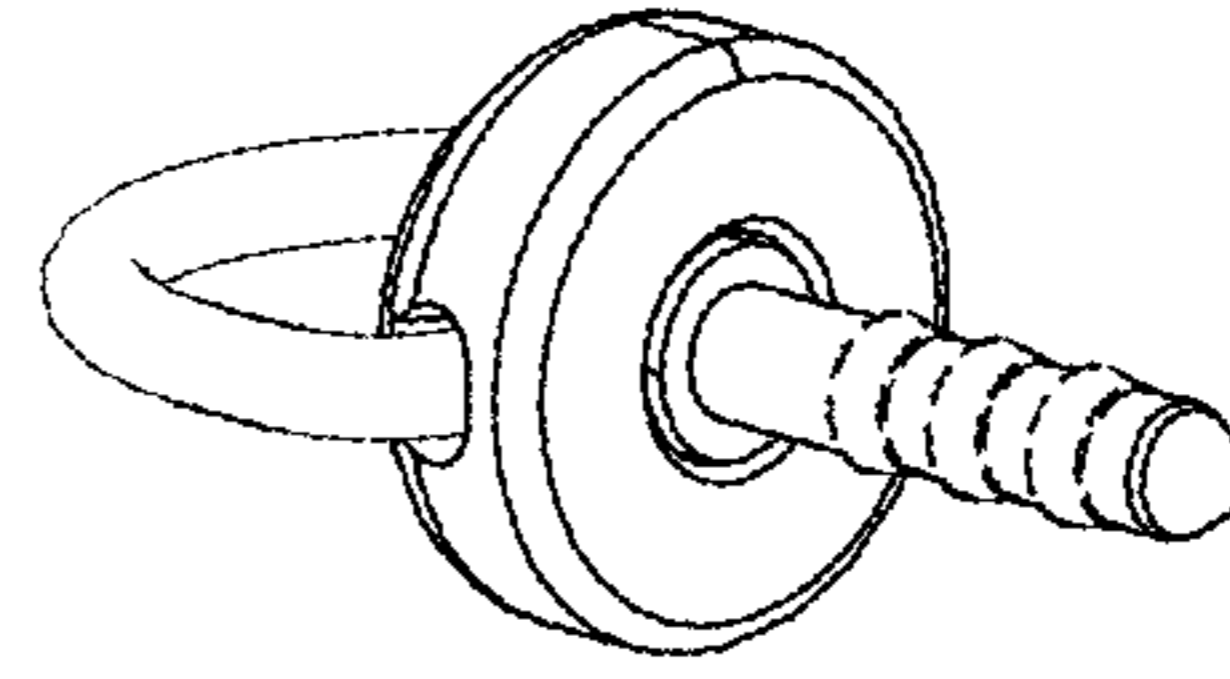


Fig. 2

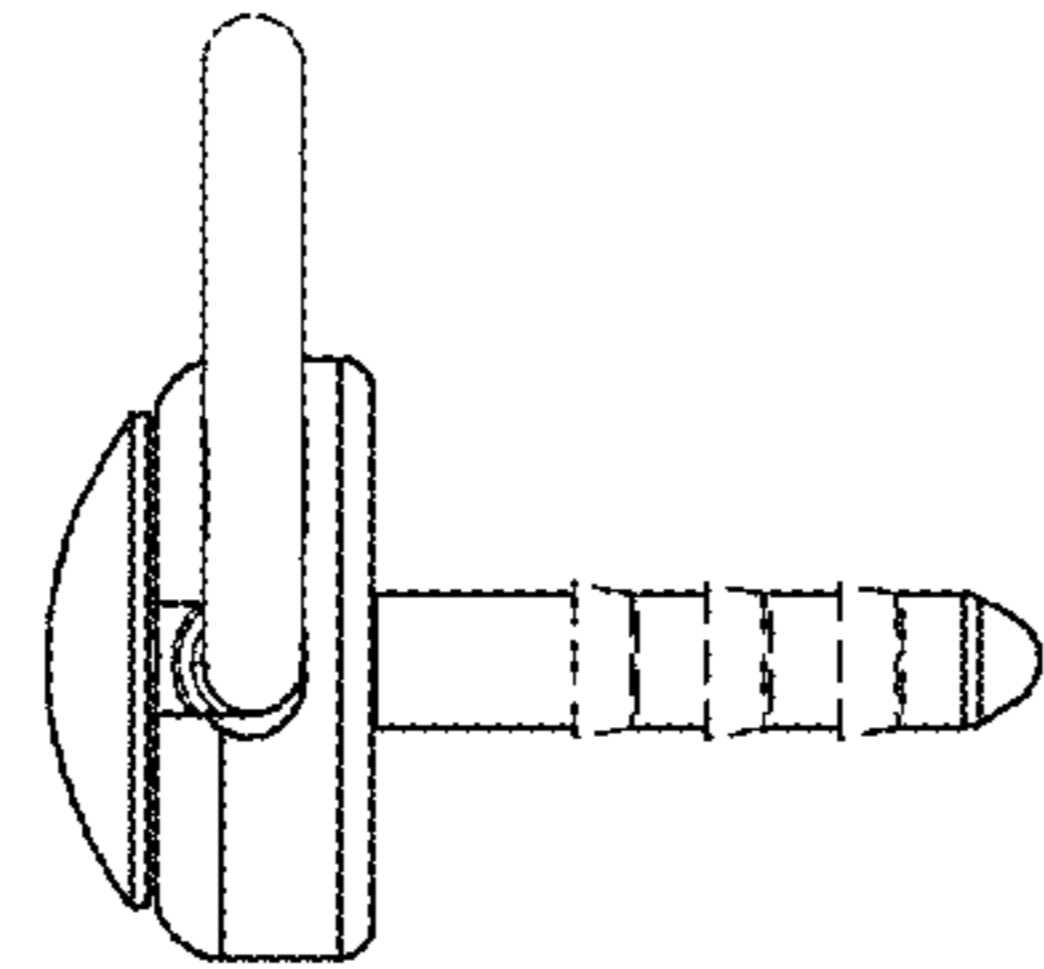


Fig. 7

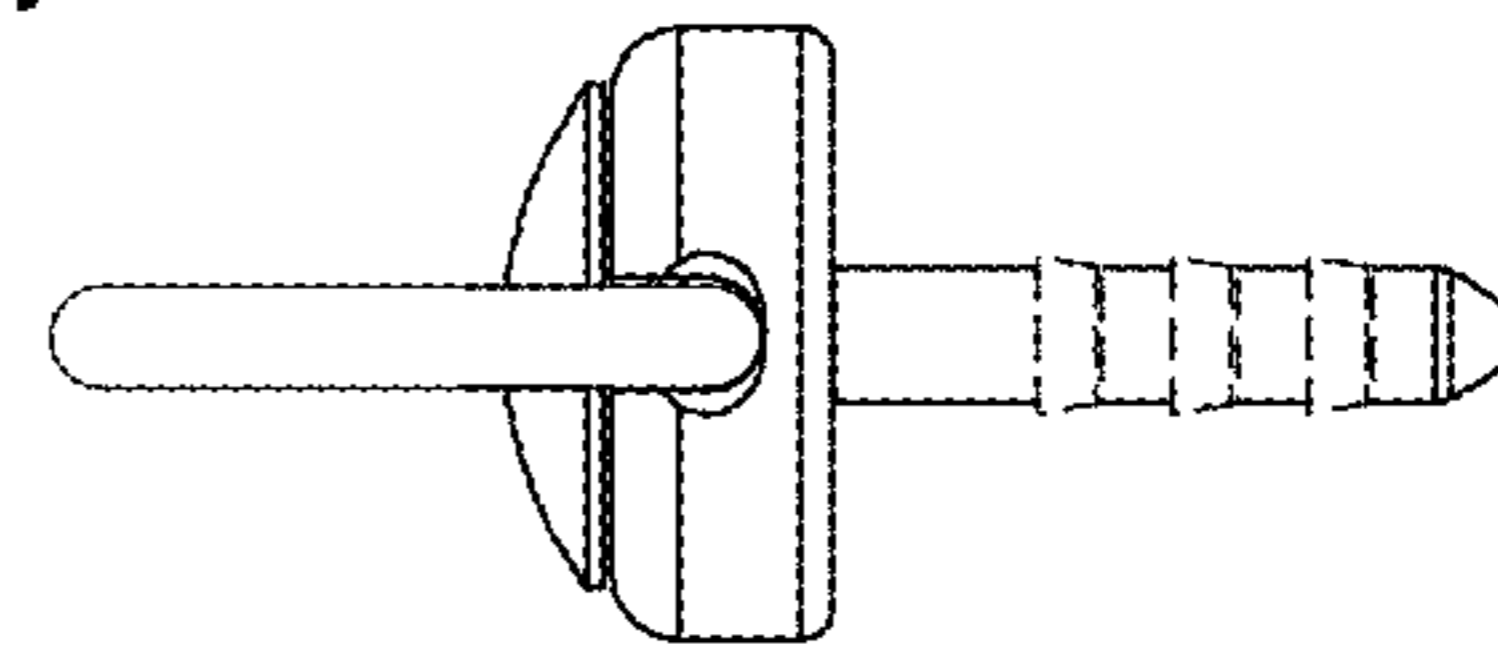


Fig. 3

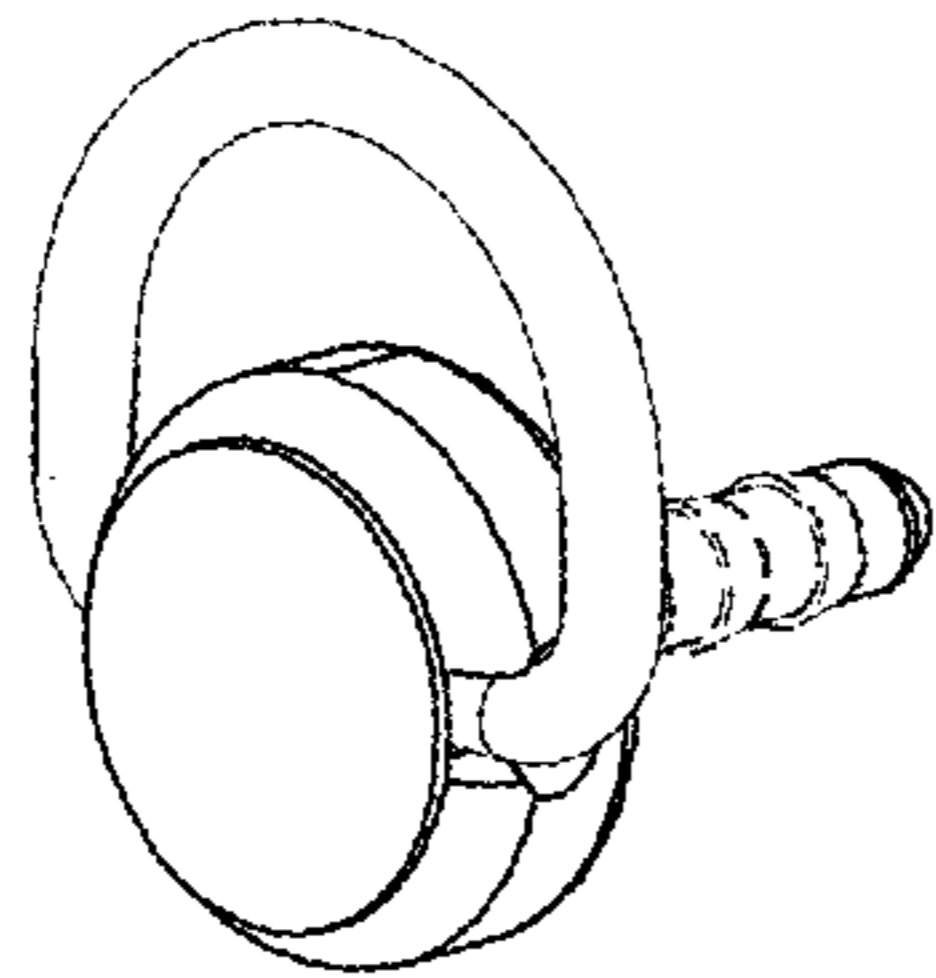


Fig. 8

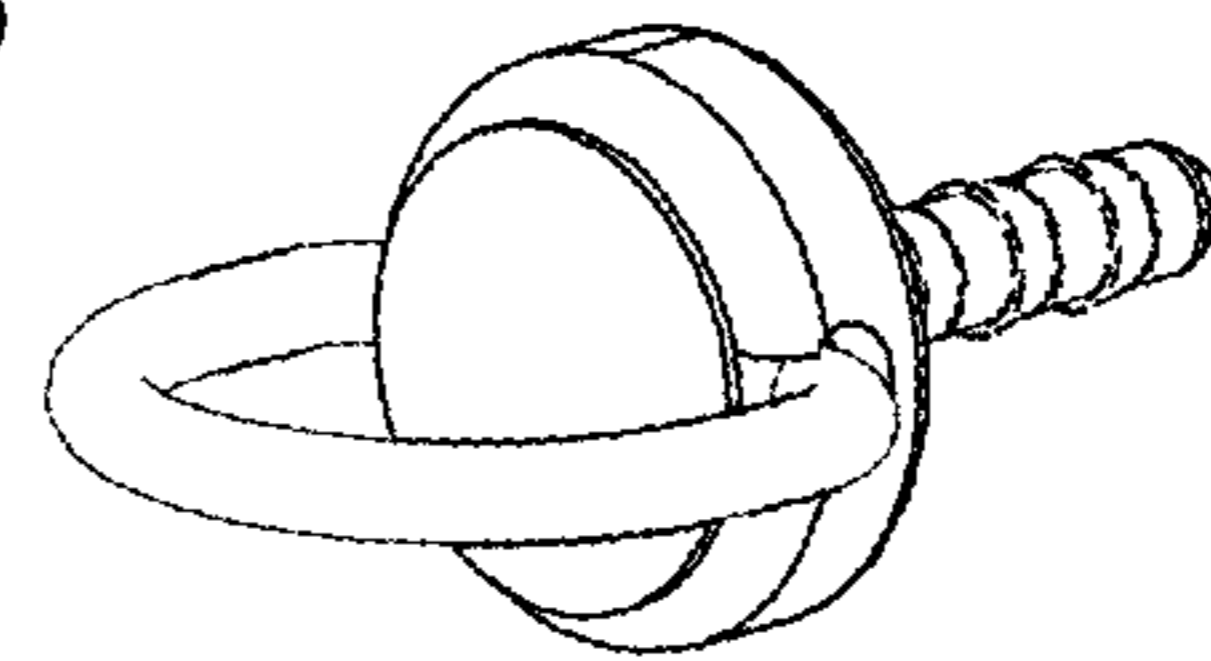


Fig. 4

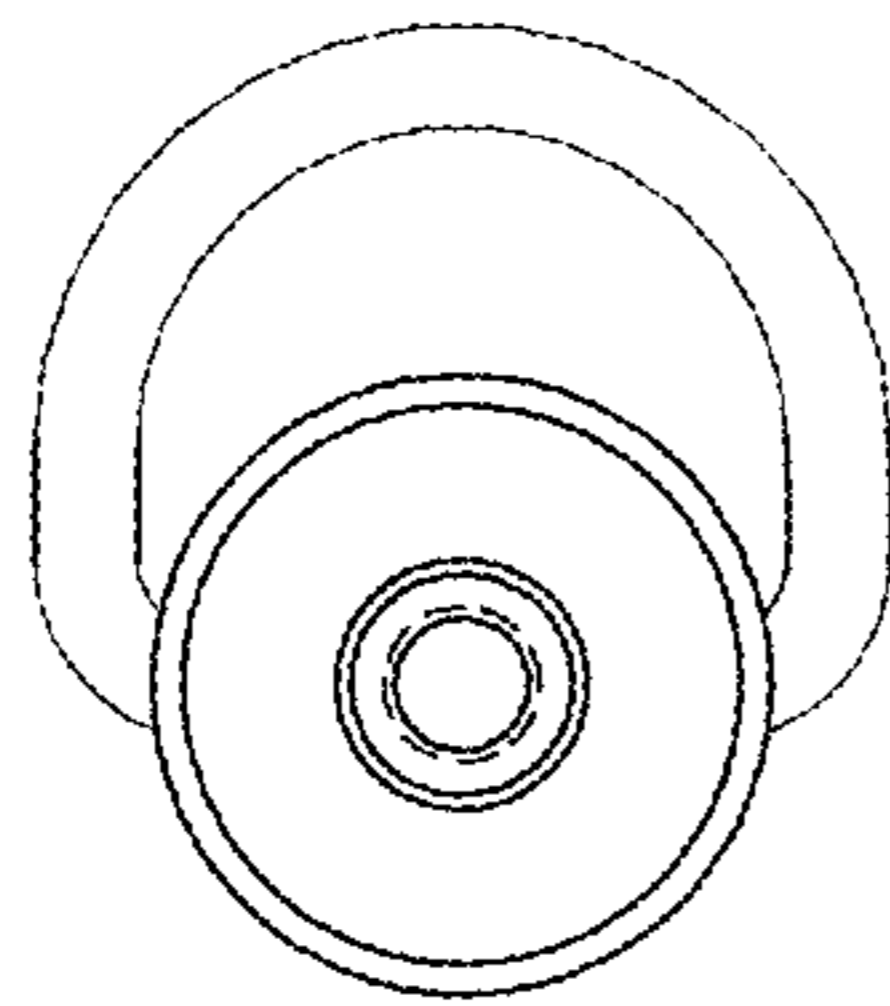


Fig. 9

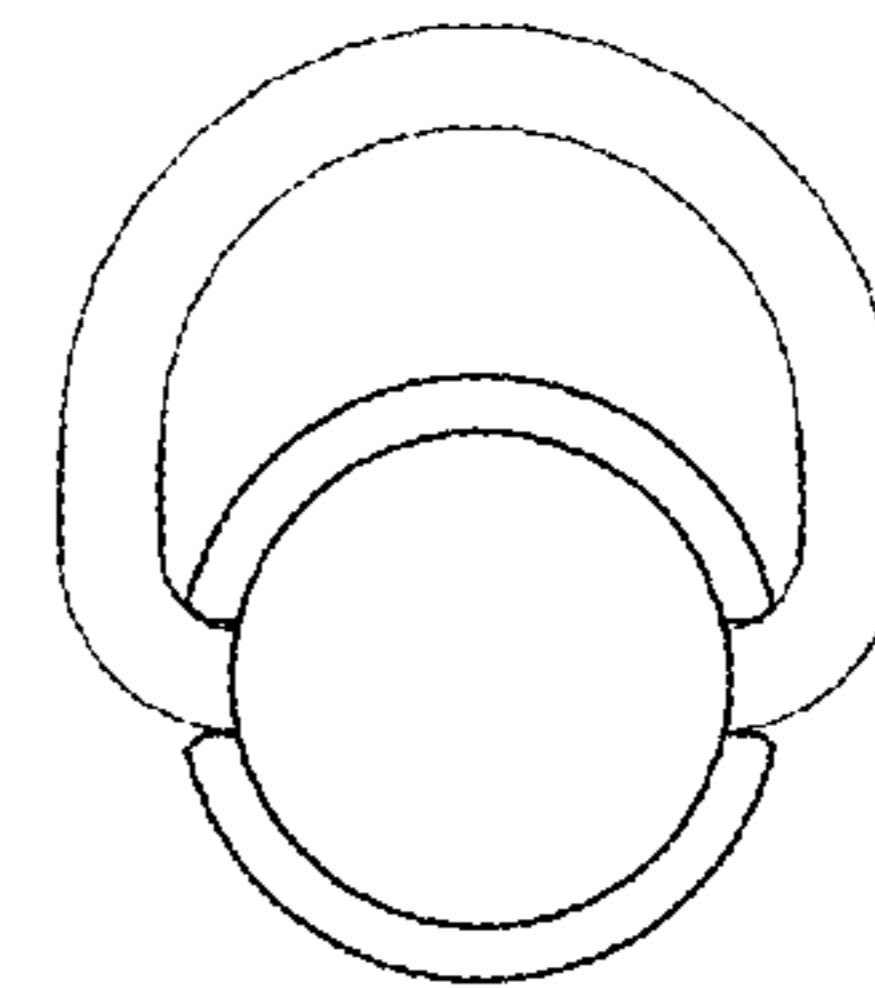


Fig. 5

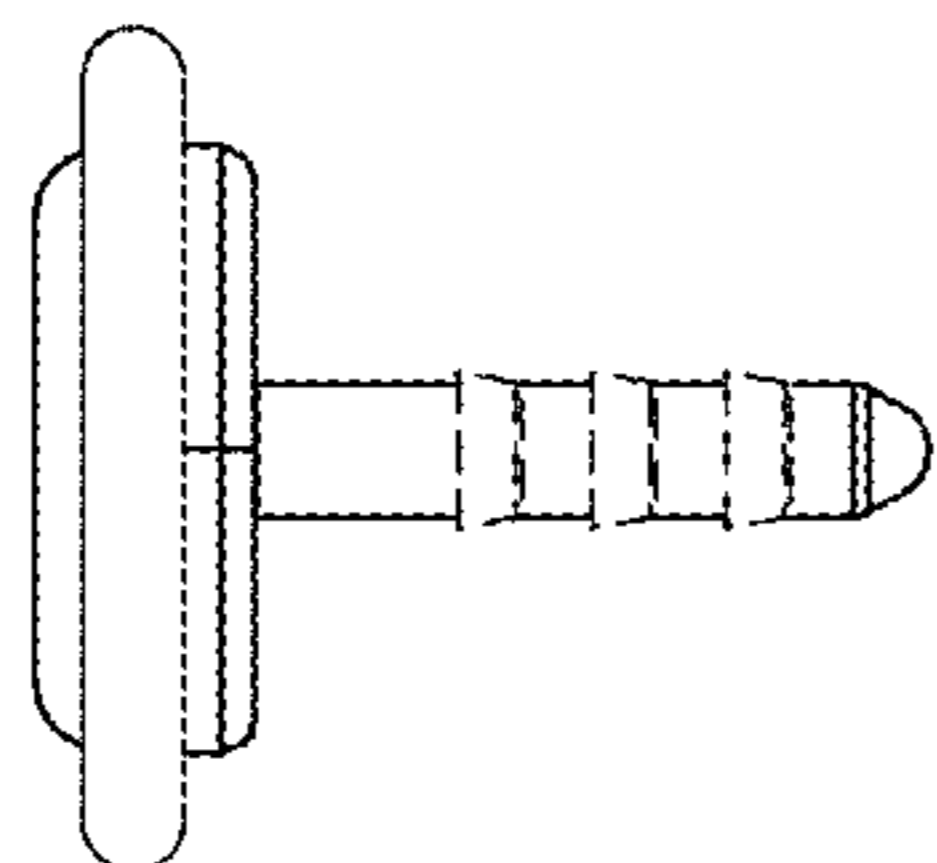


Fig. 10

