



US00D769704S

(12) **United States Design Patent**
Nitta

(10) **Patent No.:** **US D769,704 S**

(45) **Date of Patent:** **** Oct. 25, 2016**

(54) **POINTED ZIP TIE**

(71) Applicant: **Gye S. Nitta**, Honolulu, HI (US)

(72) Inventor: **Gye S. Nitta**, Honolulu, HI (US)

(**) Term: **15 Years**

(21) Appl. No.: **29/526,850**

(22) Filed: **May 13, 2015**

(51) **LOC (10) Cl.** **08-08**

(52) **U.S. Cl.**
USPC **D8/387**

(58) **Field of Classification Search**

USPC D8/383, 356, 382, 394, 396, 499
CPC B65D 63/1072; B65D 63/1063; B65D
2563/103; B65D 63/1045; B65D 63/00;
B65D 63/1081; F16B 2/26; F16L 3/2332;
F16L 3/2334; F16L 3/2338; Y10T 24/1498;
Y10T 24/14; Y10T 24/45246; Y10T 24/141;
Y10T 24/15
See application file for complete search history.

(56) **References Cited**

U.S. PATENT DOCUMENTS

- 2,183,799 A * 12/1939 Wenk, Jr. G09F 3/14
292/315
- 3,086,265 A * 4/1963 Orenick B65D 63/1072
174/40 CC
- 3,118,200 A * 1/1964 Bell B65D 63/1081
24/16 PB
- D224,960 S * 10/1972 Wilson 24/16 PB
- 3,837,047 A * 9/1974 Bunnell B65D 63/1072
24/16 PB
- 4,248,462 A * 2/1981 Choi B65D 63/1081
292/322
- D265,055 S * 6/1982 Bone D8/394
- 4,347,648 A * 9/1982 Dekkers B65D 63/1063
24/16 PB
- 4,537,432 A * 8/1985 Meeks G09F 3/037
24/16 PB
- D308,016 S * 5/1990 Tritton D8/394

- 5,568,952 A * 10/1996 Ruegg B65D 63/1081
292/307 A
- 5,636,412 A * 6/1997 Lodi B65D 63/1081
24/16 PB
- 5,685,048 A * 11/1997 Benoit B65D 63/1063
24/16 PB
- 5,836,053 A * 11/1998 Davignon F16L 3/233
24/16 PB
- D421,896 S * 3/2000 Hamernik D8/382
- 6,105,210 A * 8/2000 Benoit B65D 63/1063
24/16 PB
- 6,430,783 B1 * 8/2002 Benoit B65D 63/1063
24/16 PB
- D484,782 S * 1/2004 Fuehrer D8/383
- D698,632 S * 2/2014 Wang D8/383
- 8,739,387 B1 * 6/2014 Frishberg F16L 3/2332
140/93 A
- D714,044 S * 9/2014 Lee D2/978

* cited by examiner

Primary Examiner — Ian Simmons

Assistant Examiner — Ieisha Price

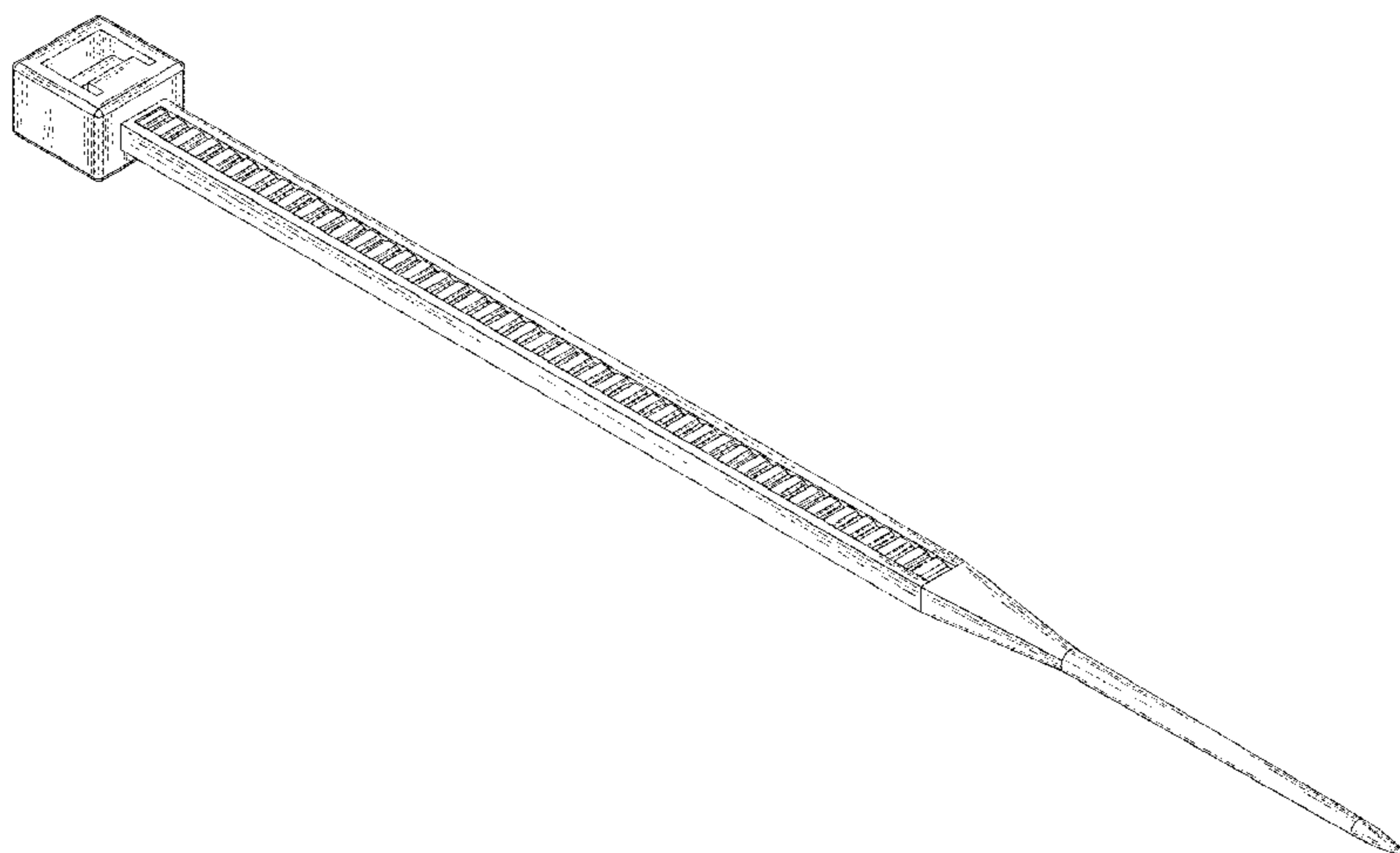
(57) **CLAIM**

The ornamental design for a pointed zip tie, as shown and described.

DESCRIPTION

FIG. 1 is a perspective view of a pointed zip tie;
FIG. 2 is a front plane view thereof;
FIG. 3 is a rear plane view thereof;
FIG. 4 is a left plane view thereof;
FIG. 5 is a right plane view thereof;
FIG. 6 is a top plane view thereof;
FIG. 7 is a bottom plane view thereof;
FIG. 8 is a left view thereof;
FIG. 9 is a section cut view taken along the 9-9 in FIG. 8;
and,
FIG. 10 is an enlarged view taken along 10 of FIG. 9.
The broken lines shown in FIGS. 9 and 10 annotate the area from which the enlarged view is from and form no part of the claimed design.

1 Claim, 10 Drawing Sheets



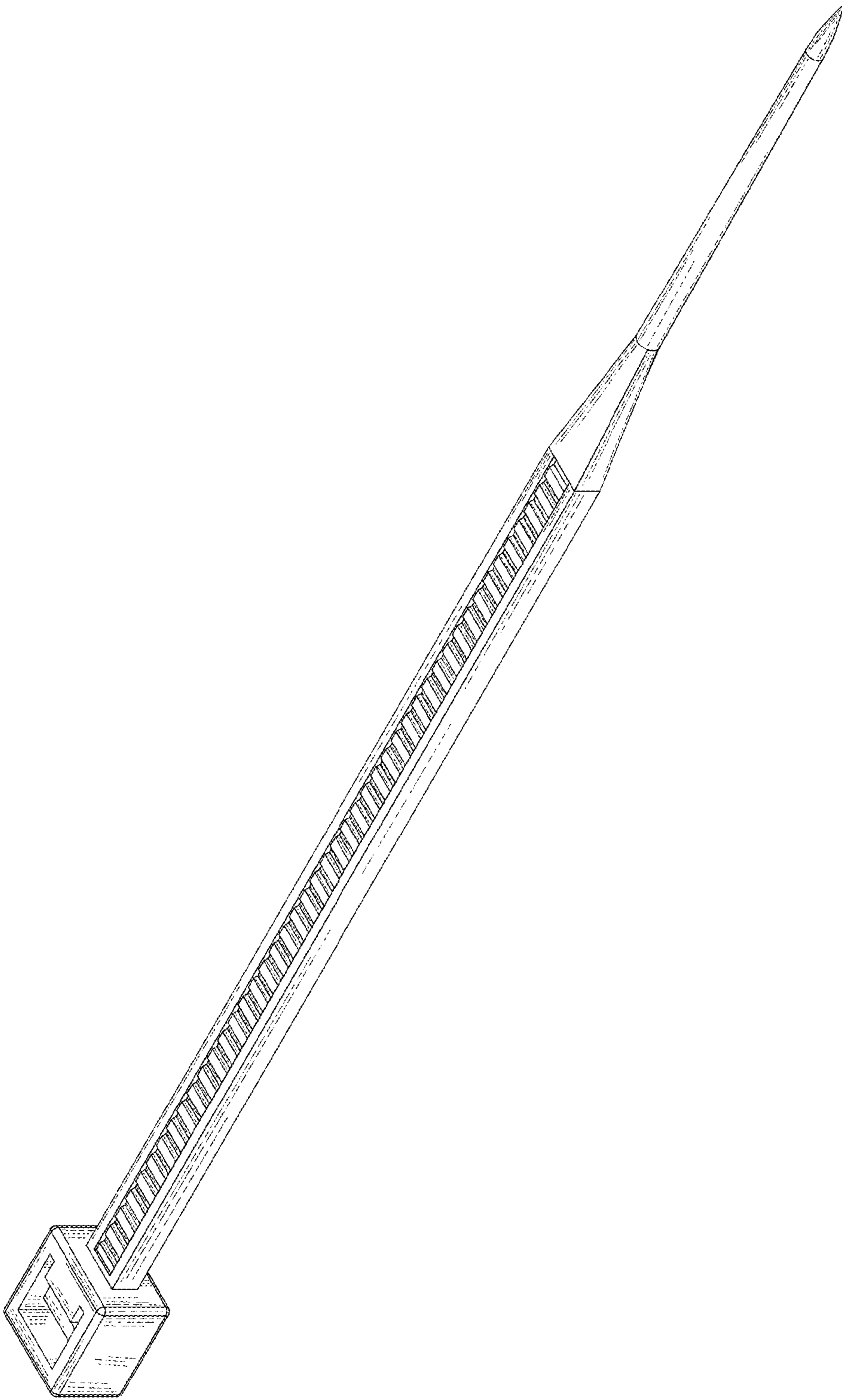


FIG. 1

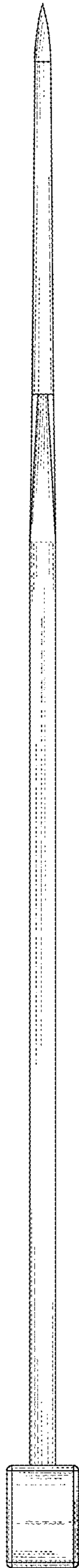


FIG. 2

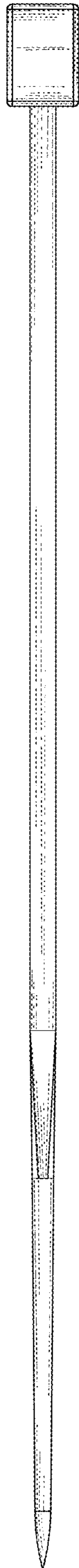


FIG. 3

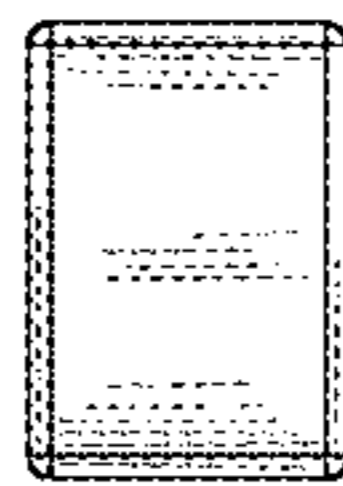


FIG. 4

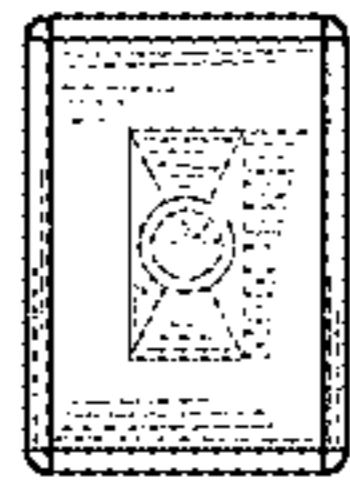


FIG. 5

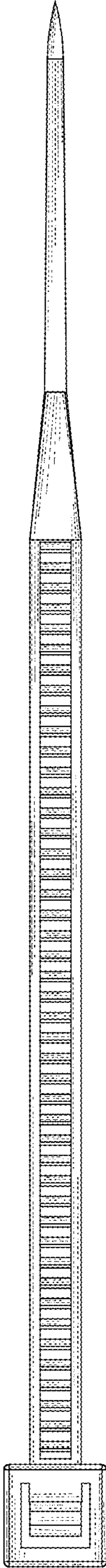


FIG. 6

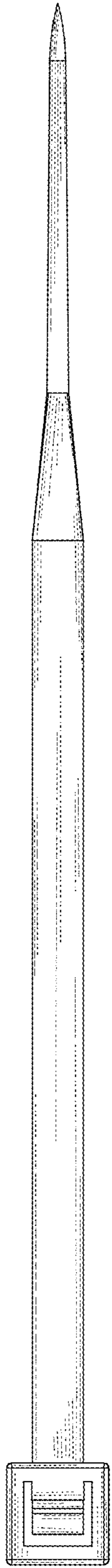


FIG. 7

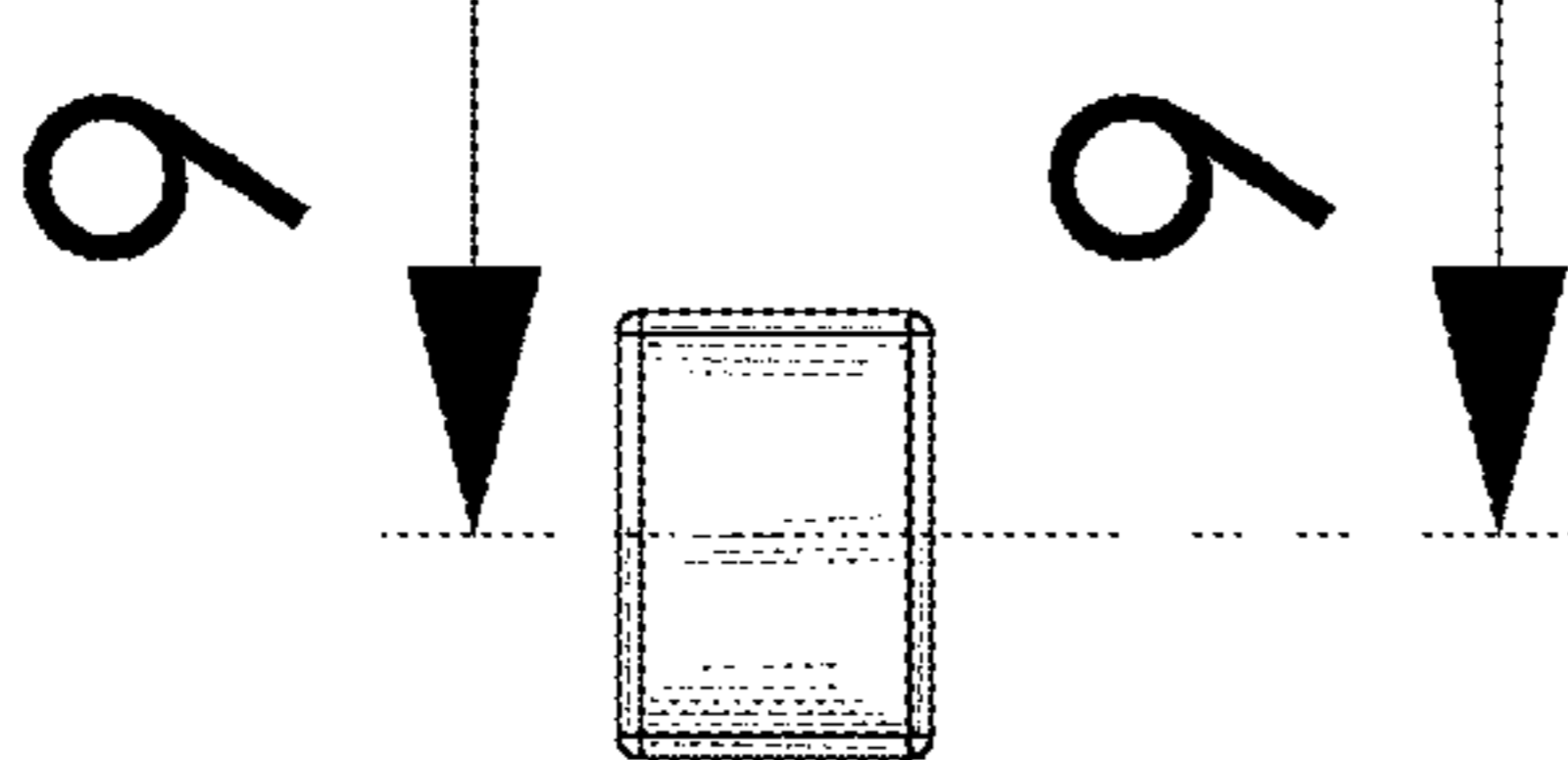


FIG. 8

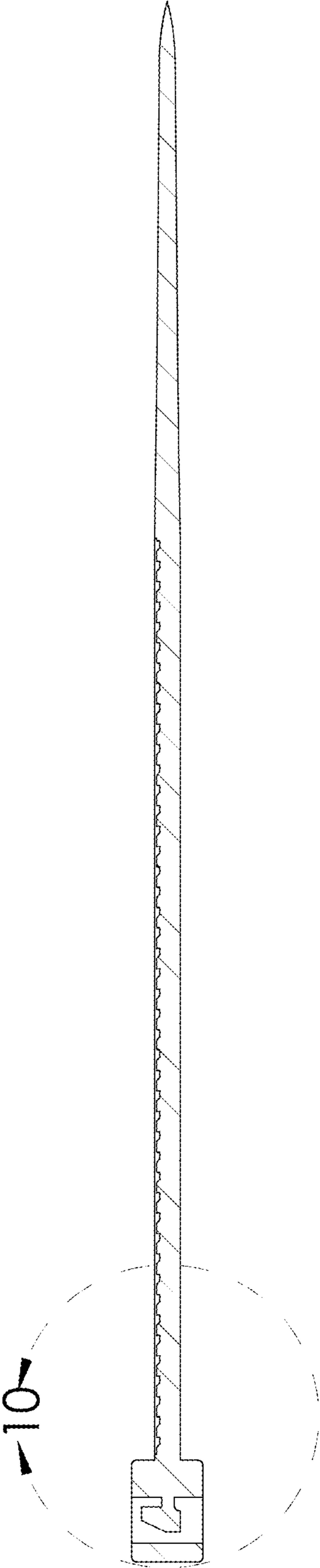


FIG. 9

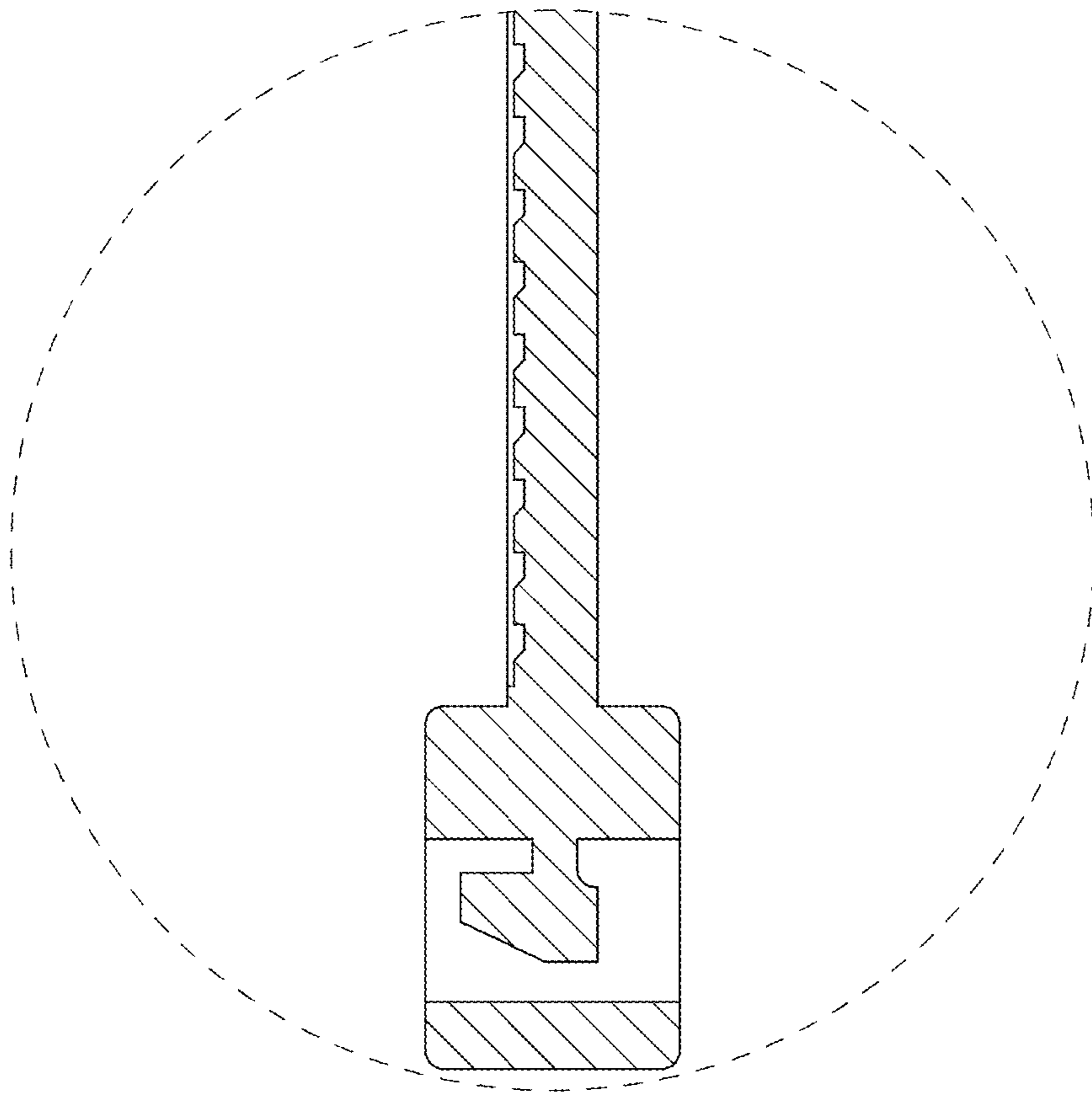


FIG. 10