



US00D769703S

(12) **United States Design Patent**
Kempf

(10) **Patent No.:** **US D769,703 S**

(45) **Date of Patent:** **** Oct. 25, 2016**

(54) **WALL ANCHOR**
(71) Applicant: **fischerwerke GmbH & Co. KG**,
Waldachtal (DE)
(72) Inventor: **Christian Kempf**, Bisingen (DE)
(73) Assignee: **fischerwerke GmbH & Co. KG**,
Waldachtal (DE)

(**) Term: **14 Years**

(21) Appl. No.: **29/506,932**

(22) Filed: **Oct. 22, 2014**

(30) **Foreign Application Priority Data**

May 23, 2014 (EM) 002469296

(51) **LOC (10) Cl.** **08-08**

(52) **U.S. Cl.**
USPC **D8/385**

(58) **Field of Classification Search**
USPC D8/382, 385, 387, 388, 383, 499
CPC F16B 13/124; F16B 13/04; F16B 13/045;
F16B 13/126; F16B 13/00; F16B 13/06;
F16B 13/12; F16B 13/001; F16B 13/08;
F16B 13/128; F16B 13/005; Y10S 411/908
See application file for complete search history.

(56) **References Cited**

U.S. PATENT DOCUMENTS

3,171,321 A * 3/1965 Fischer F16B 13/124
411/80.5
3,199,398 A * 8/1965 Weisz F16B 13/005
411/80.1
3,232,163 A * 2/1966 Croessant F16B 13/124
411/73
3,383,976 A * 5/1968 Schenkel F16B 13/001
411/62
3,516,324 A * 6/1970 Berner F16B 13/02
411/72
3,522,756 A * 8/1970 von Wolff F16B 13/124
411/67
4,142,440 A * 3/1979 Schefer F16B 13/124
411/42
4,360,301 A * 11/1982 Mosberger F16B 13/124
411/73

4,861,206 A * 8/1989 Riedel F16B 13/02
411/36
4,921,383 A * 5/1990 Fischer F16B 13/124
411/72
5,312,215 A * 5/1994 Anquetin F16B 13/061
411/38
5,352,066 A * 10/1994 Schaeffer E21D 20/025
405/259.4
D371,294 S * 7/1996 Anquetin D8/382
6,558,094 B2 * 5/2003 Nehl F16B 13/061
411/36
6,837,658 B2 * 1/2005 Nehl F16B 13/124
411/36
8,038,375 B2 * 10/2011 Kohan F16B 13/001
411/80.5
2002/0122710 A1 * 9/2002 Nehl F16B 13/061
411/36
2002/0176761 A1 * 11/2002 Nehl F16B 13/124
411/36
2004/0202522 A1 * 10/2004 Cabrele F16B 13/061
411/80.1
2005/0158139 A1 * 7/2005 Hepworth F16B 13/124
411/55
2009/0220316 A1 * 9/2009 Burger F16B 13/001
411/39

FOREIGN PATENT DOCUMENTS

BE 828241 A * 8/1975 F16B 13/12
DE 19845696 A1 * 4/2000 F16B 13/02
DE 202012100346 U1 * 5/2013 E21B 17/04
EP 0688963 A1 * 12/1995 F16B 13/001
EP 0819857 B1 * 3/2000 F16B 13/005
GB 455913 A * 10/1936 F16B 13/02
GB 1141913 A * 5/1965 F16B 13/12
GB 1299662 A * 12/1972 F16B 13/001

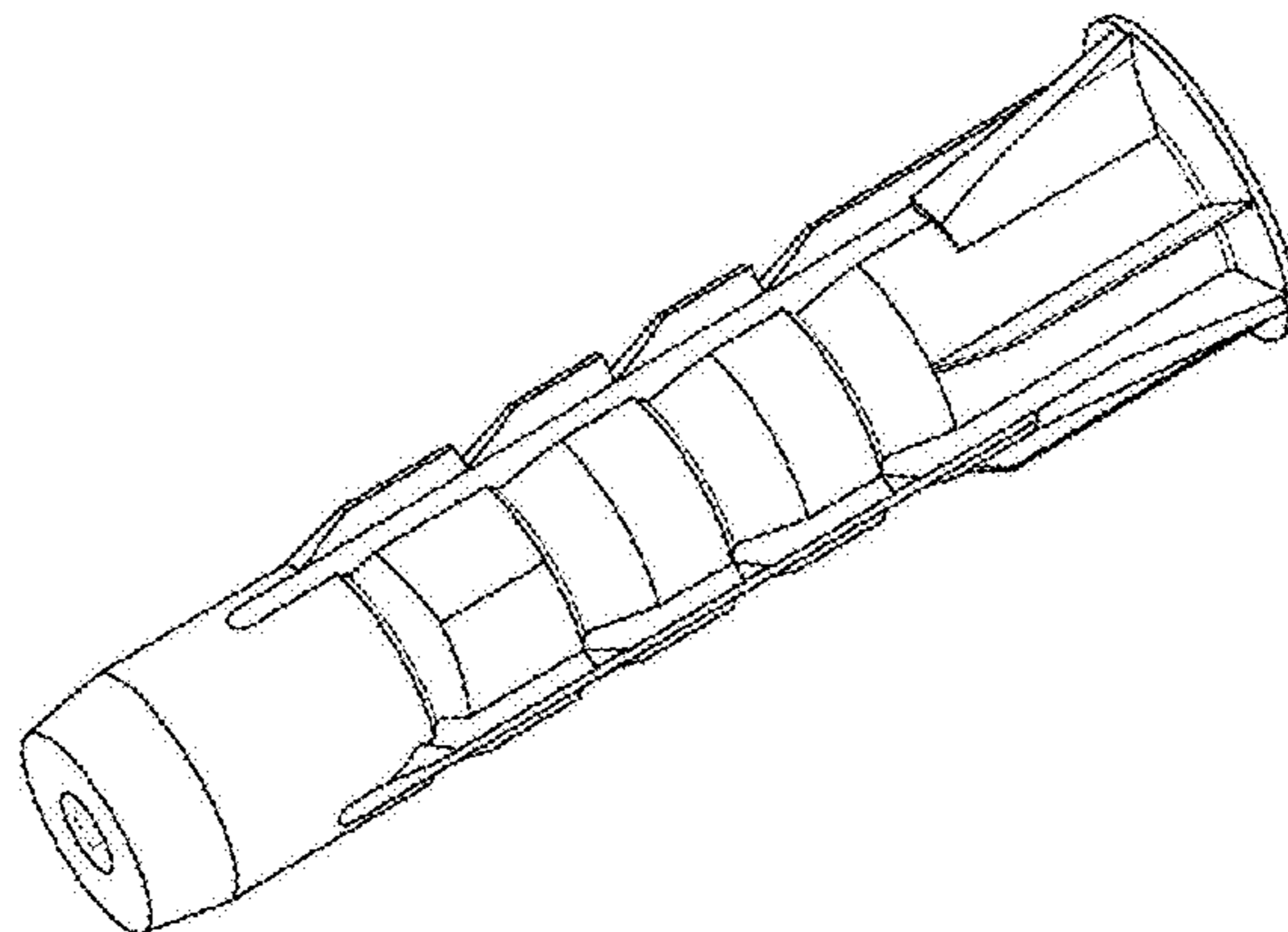
OTHER PUBLICATIONS

Product Illustrations, fischerwerke GmbH & Co. KG, commercially available approximately 1994, 1999 and 2002.

* cited by examiner

Primary Examiner — Sheryl Lane
Assistant Examiner — Ieisha Price
(74) *Attorney, Agent, or Firm* — Renner, Otto,
Boisselle & Sklar, LLP

(57) **CLAIM**
The ornamental design for a wall anchor, as shown and described.



DESCRIPTION

FIG. 1 is a perspective view of a wall anchor showing my new design;

FIG. 2 is a front view thereof;

FIG. 3 is a rear view thereof;

FIG. 4 is a top view thereof;

FIG. 5 is a bottom view thereof;

FIG. 6 is a left side view thereof; and,

FIG. 7 is a right side view thereof.

The broken lines in the drawings illustrate portions of the wall anchor and forms no part of the claimed design.

1 Claim, 2 Drawing Sheets

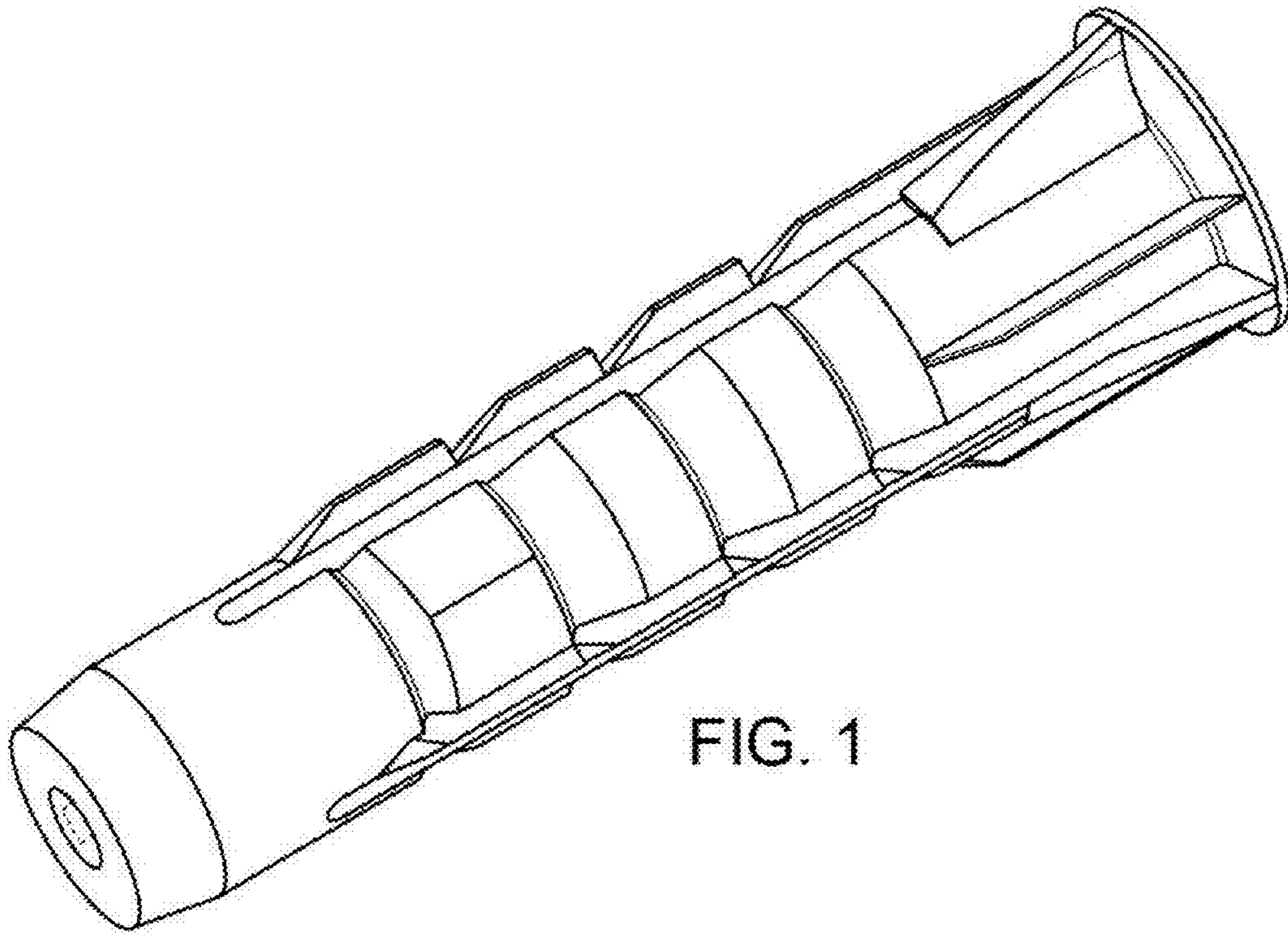


FIG. 1

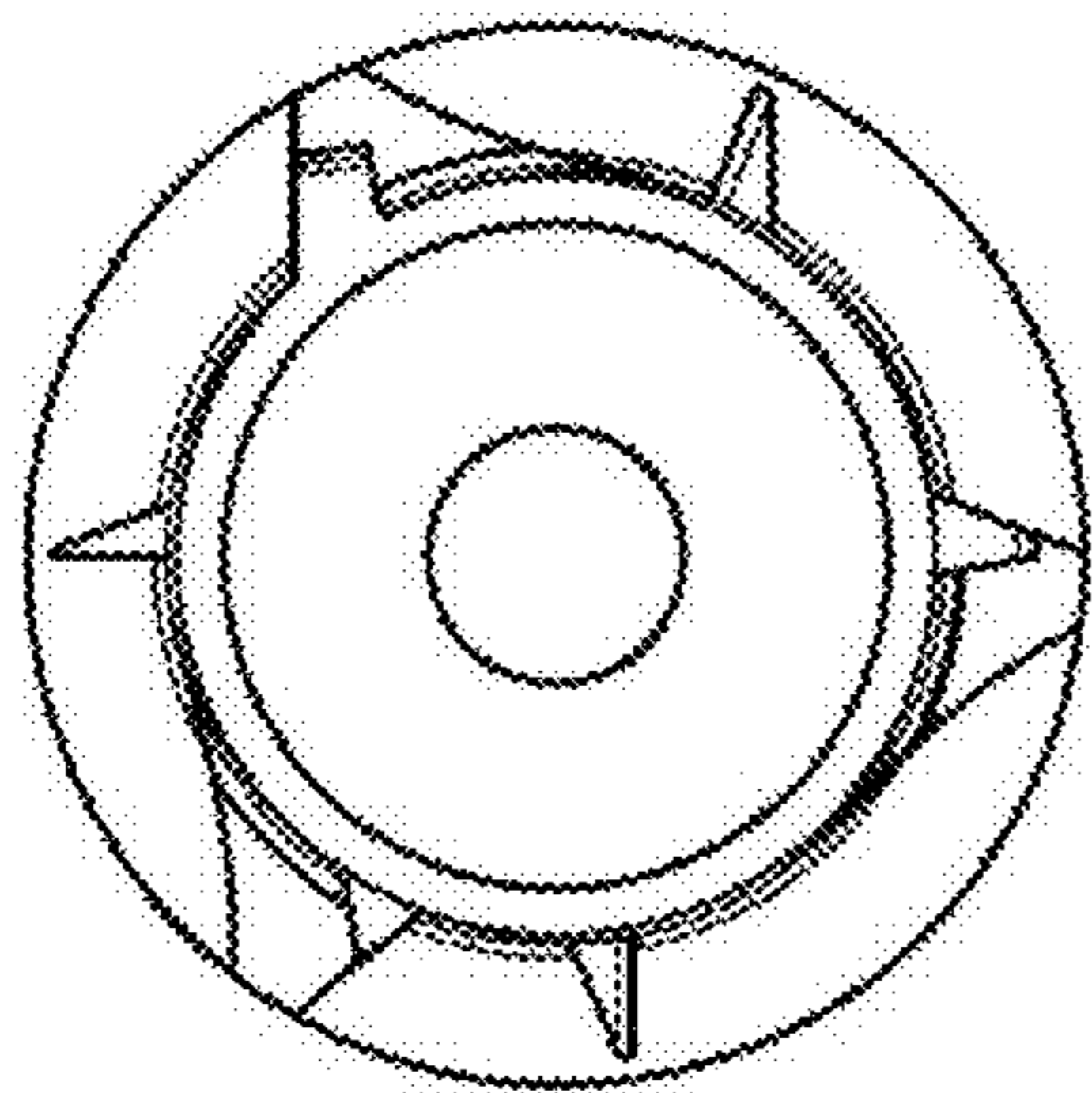


FIG. 2

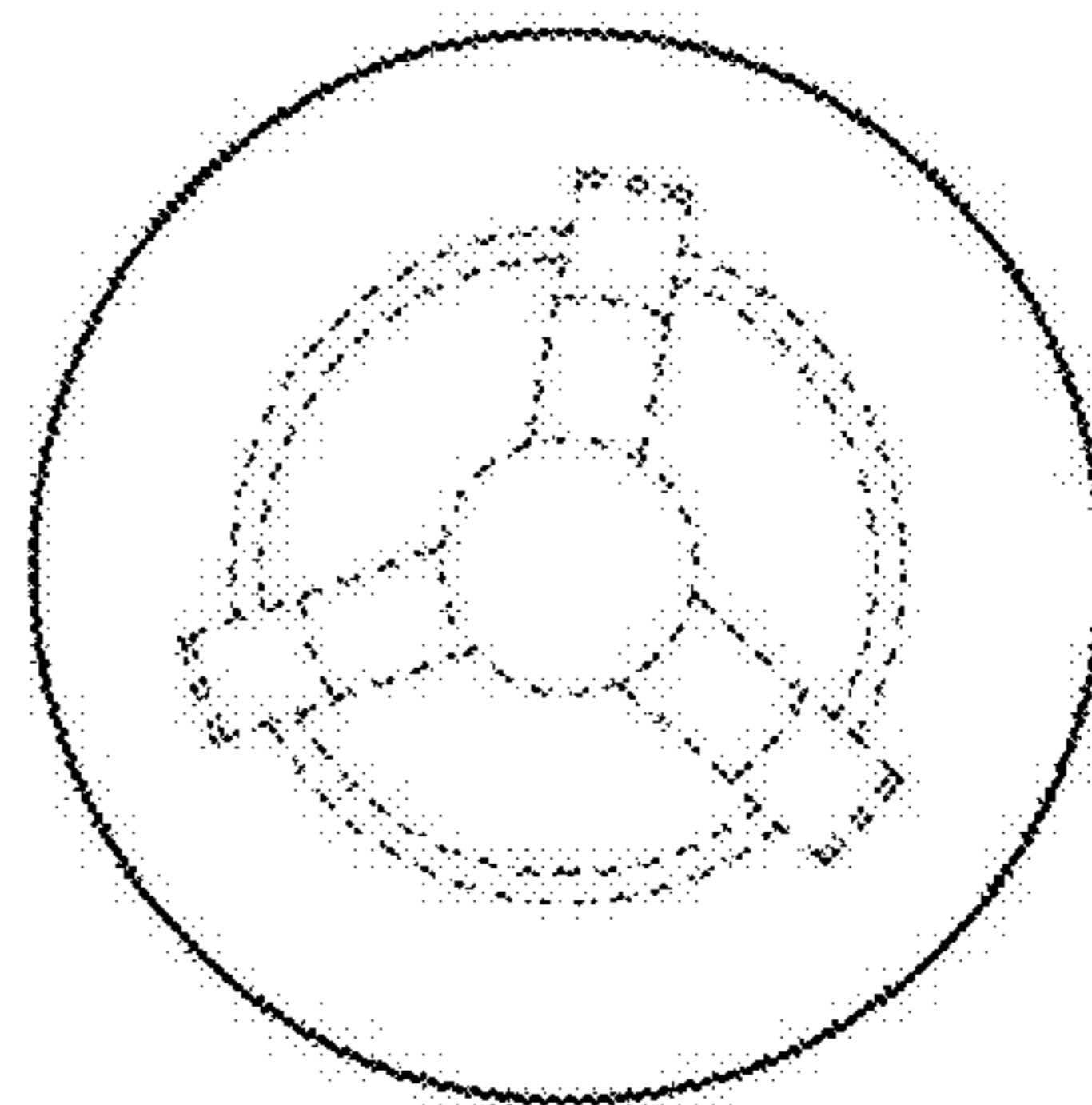


FIG. 3

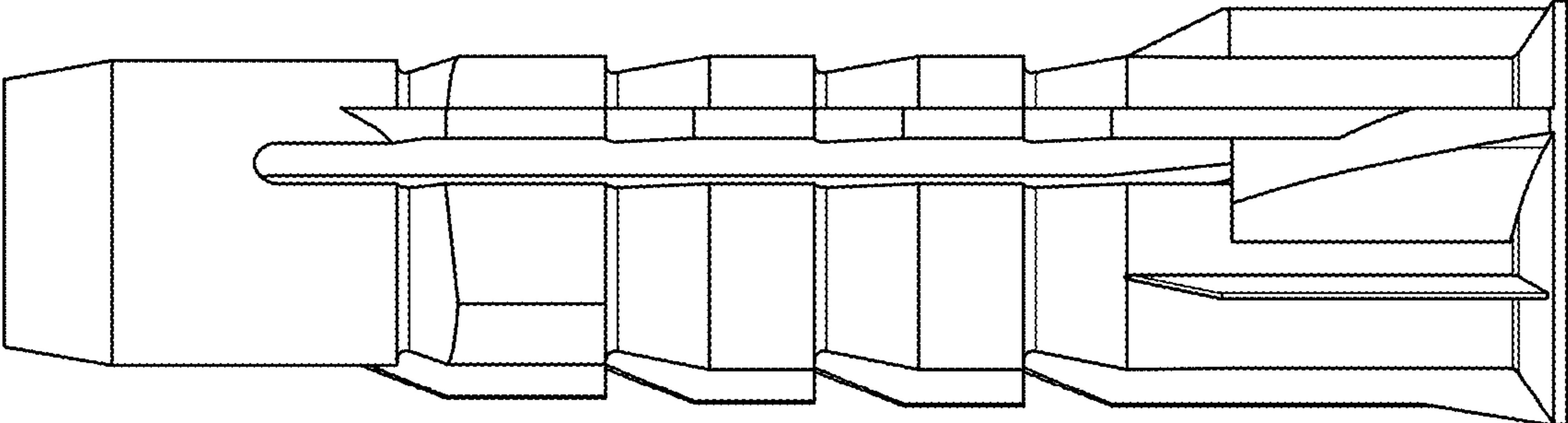


FIG. 4

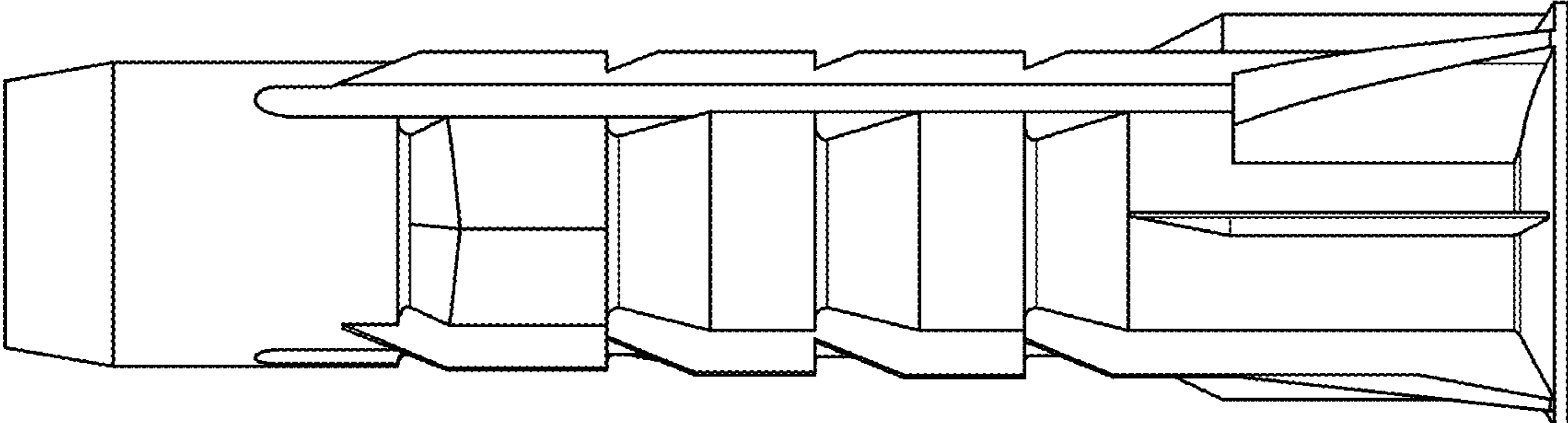


FIG. 5

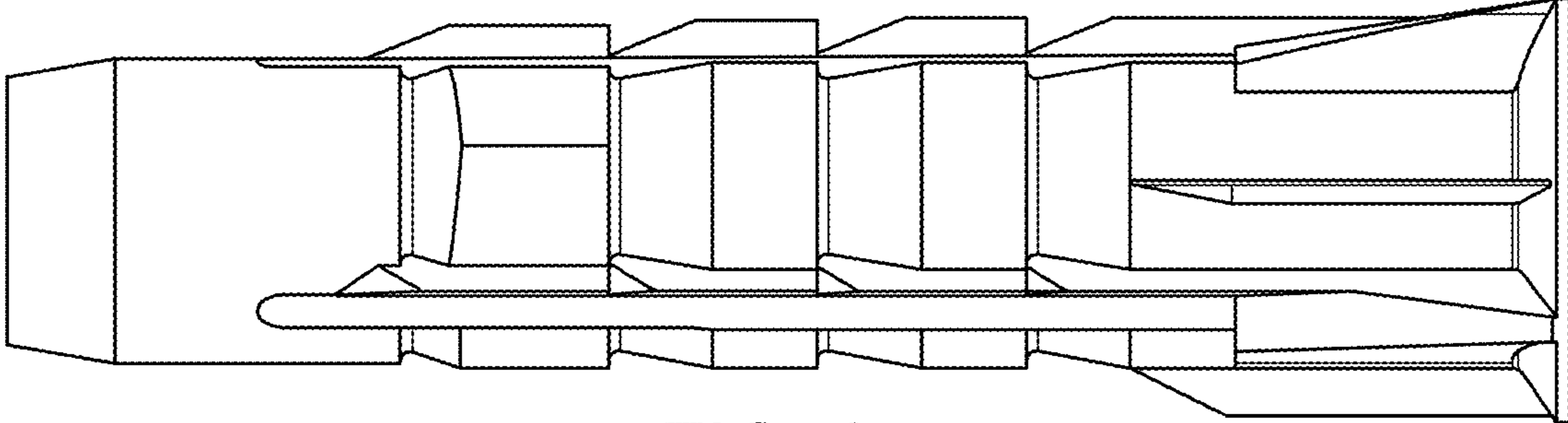


FIG. 6

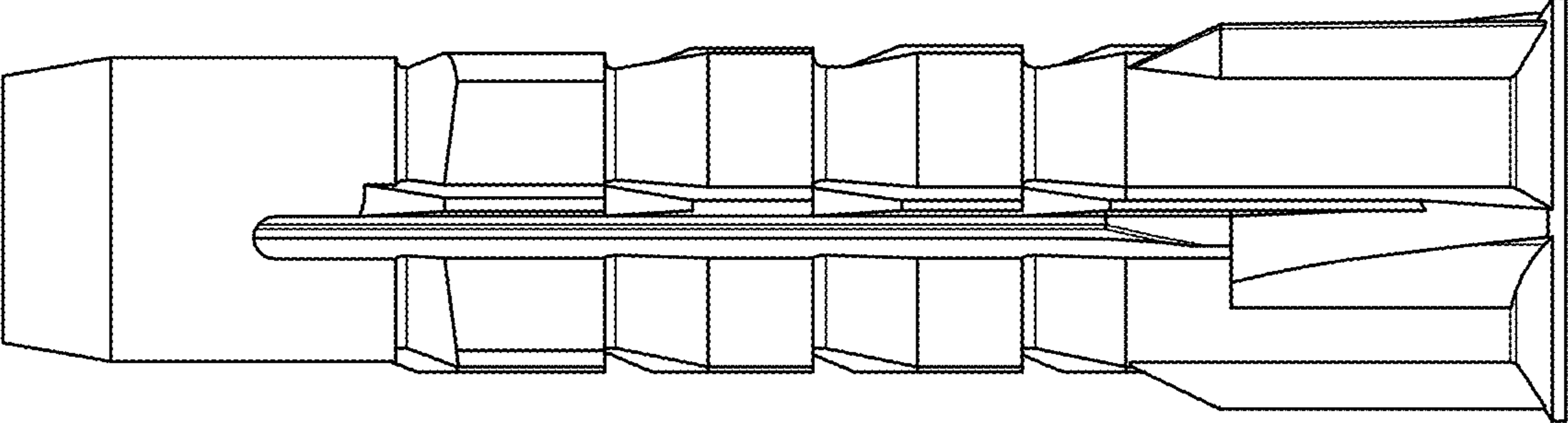


FIG. 7