

US00D769701S

(12) **United States Design Patent** (10) **Patent No.:** **US D769,701 S**
Dunkinson et al. (45) **Date of Patent:** **** Oct. 25, 2016**

- (54) **ROOF SAFETY ANCHOR**
- (71) Applicant: **Roof Extenda Pty Ltd**, Victoria (AU)
- (72) Inventors: **Corinne Dunkinson**, Victoria (AU);
Donald Arthur Dunkinson, Victoria (AU);
Murray Dunkinson, Victoria (AU)
- (73) Assignee: **Roof Extenda Pty Ltd**, Victoria (AU)
- (**) Term: **15 Years**
- (21) Appl. No.: **29/527,482**
- (22) Filed: **May 19, 2015**
- (51) **LOC (10) Cl.** **08-05**
- (52) **U.S. Cl.**
USPC **D8/367; D25/133**
- (58) **Field of Classification Search**
USPC D8/354, 349, 356, 367, 1; D34/35;
D6/358, 309; D25/131, 133; 182/2, 3
CPC F16B 45/02; F16B 47/00; B66C 1/125;
B66C 1/36; A62B 35/0037; A62B 35/04;
A62B 35/0068
See application file for complete search history.

- 5,346,036 A * 9/1994 Arisman A62B 35/04
182/3
- D430,314 S * 8/2000 Shaw D25/131
- D658,975 S * 5/2012 Cordova D8/354
- D658,976 S * 5/2012 Morrow, Jr. D25/133
- D730,545 S * 5/2015 Stauffer D25/133
- D732,708 S * 6/2015 Stauffer D25/133
- D745,186 S * 12/2015 Aston D25/1
- D751,216 S * 3/2016 Aston D25/1

* cited by examiner

Primary Examiner — Cynthia Underwood

(74) *Attorney, Agent, or Firm* — JP Webb; Jason P. Webb; Danny Y. H. Cheng

(57) **CLAIM**

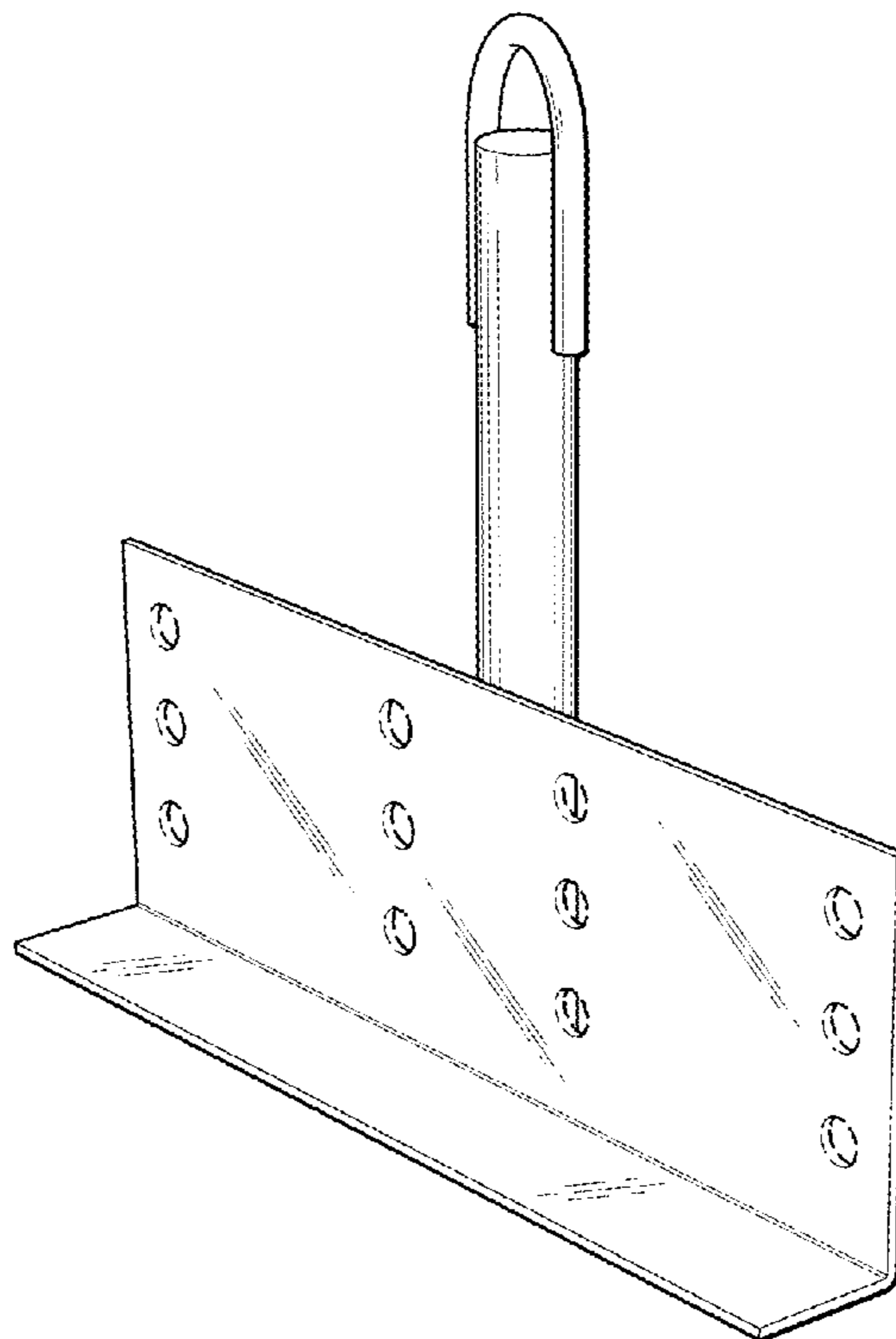
The ornamental design for a roof safety anchor, as shown and described.

DESCRIPTION

FIG. 1 is a front perspective view of a roof safety anchor, showing my new design;
FIG. 2 is a back perspective view of a roof safety anchor;
FIG. 3 is a front elevational view thereof;
FIG. 4 is a back elevational view thereof;
FIG. 5 is a top plan view thereof;
FIG. 6 is a bottom plan view thereof; and,
FIG. 7 is a right side elevational view thereof, the left side being a mirror image thereof.
The broken lines represent environment and forms no part of the claim.

1 Claim, 6 Drawing Sheets

- (56) **References Cited**
- U.S. PATENT DOCUMENTS
- 5,011,106 A * 4/1991 Cody A62B 35/0068
182/3
- 5,054,576 A * 10/1991 Glynn A62B 35/04
182/3



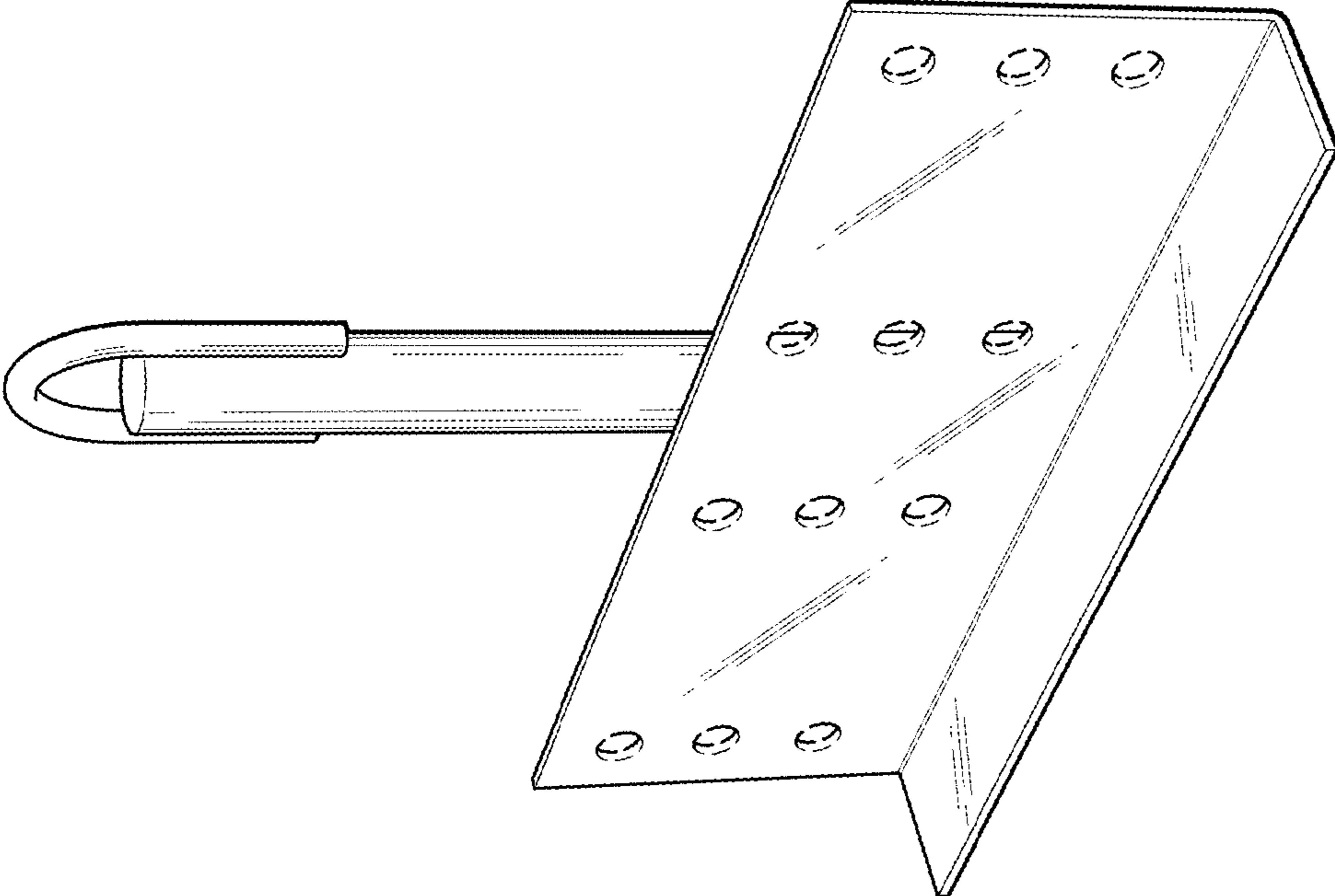


Figure 1

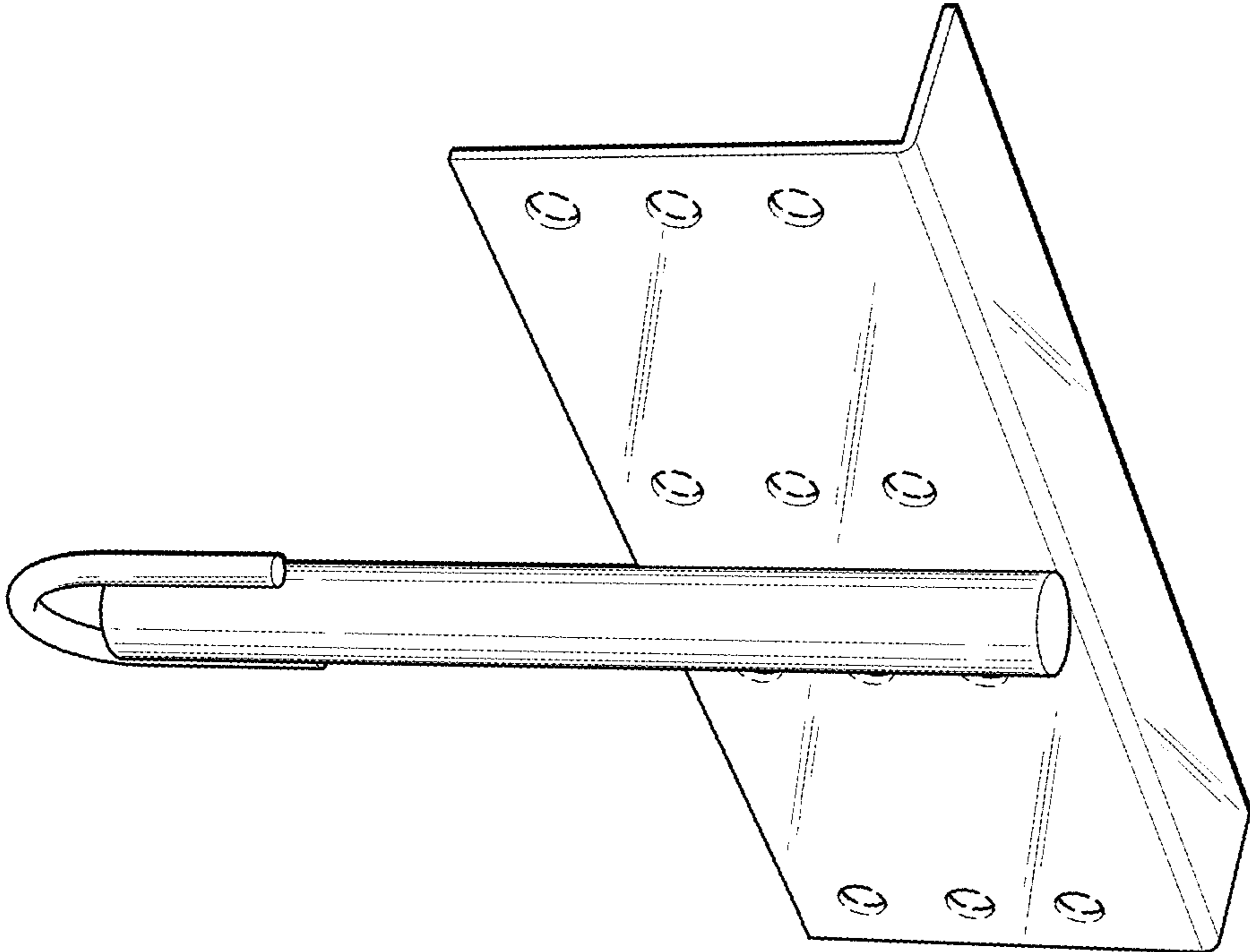


Figure 2

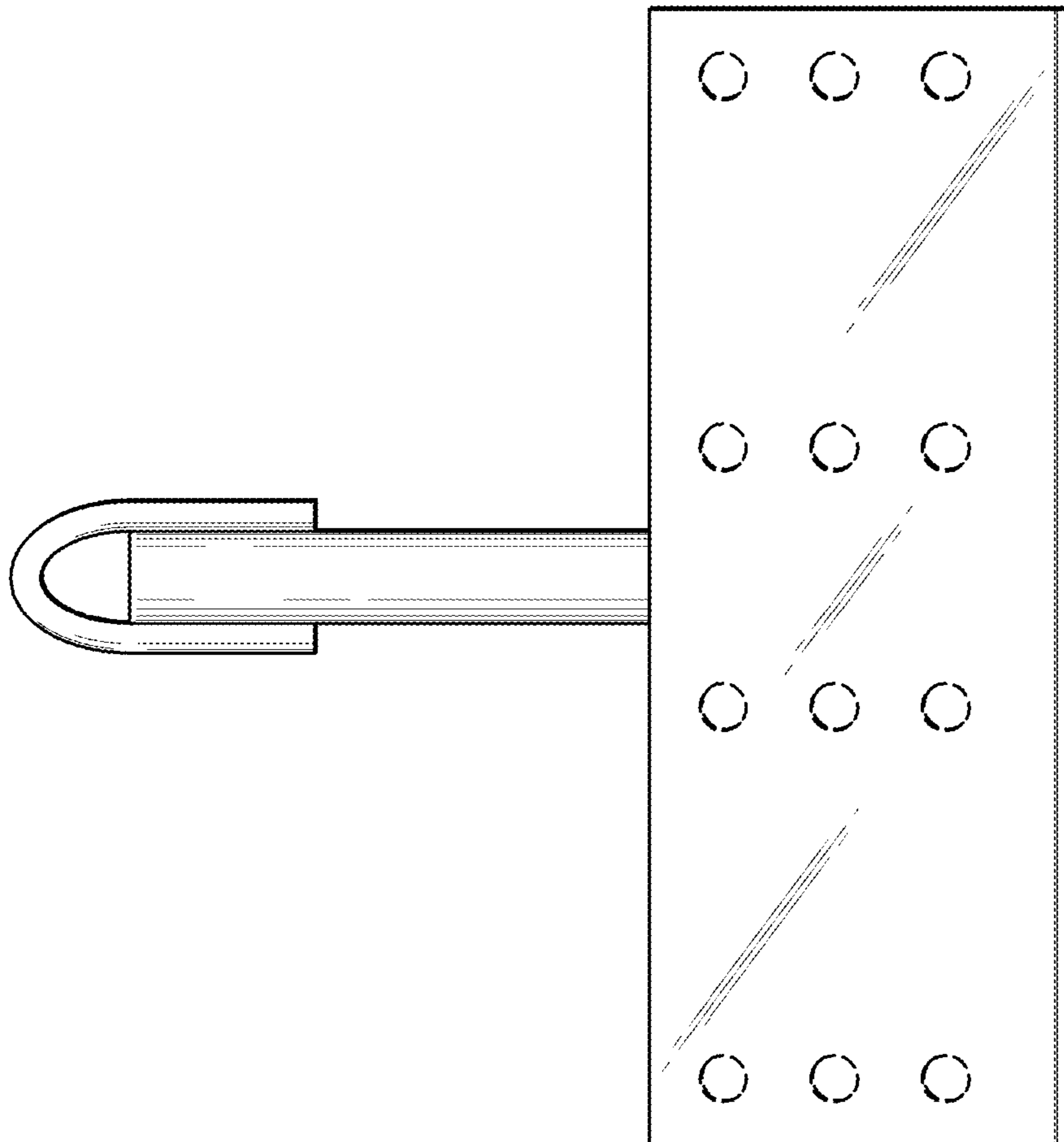


Figure 3

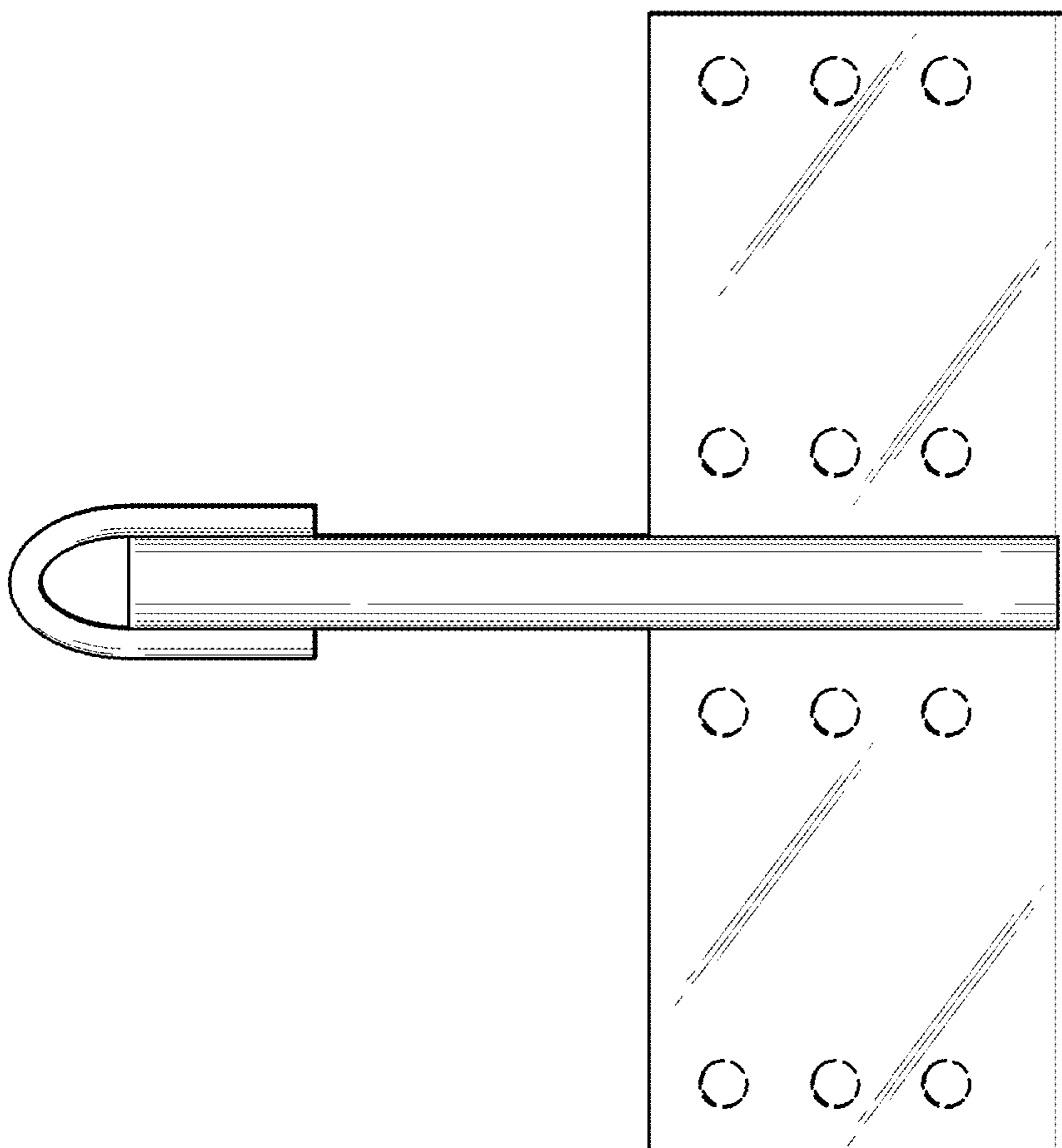


Figure 4

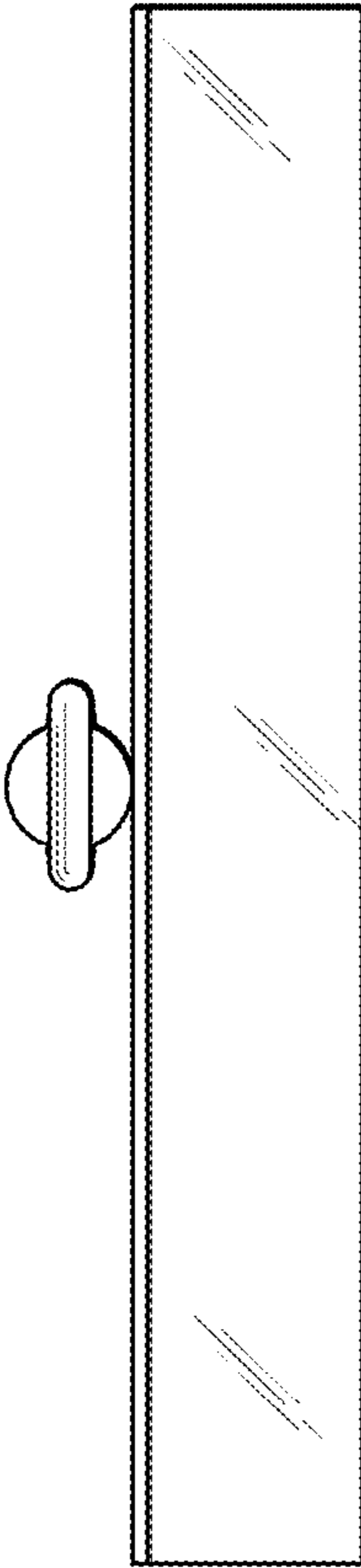


Figure 5

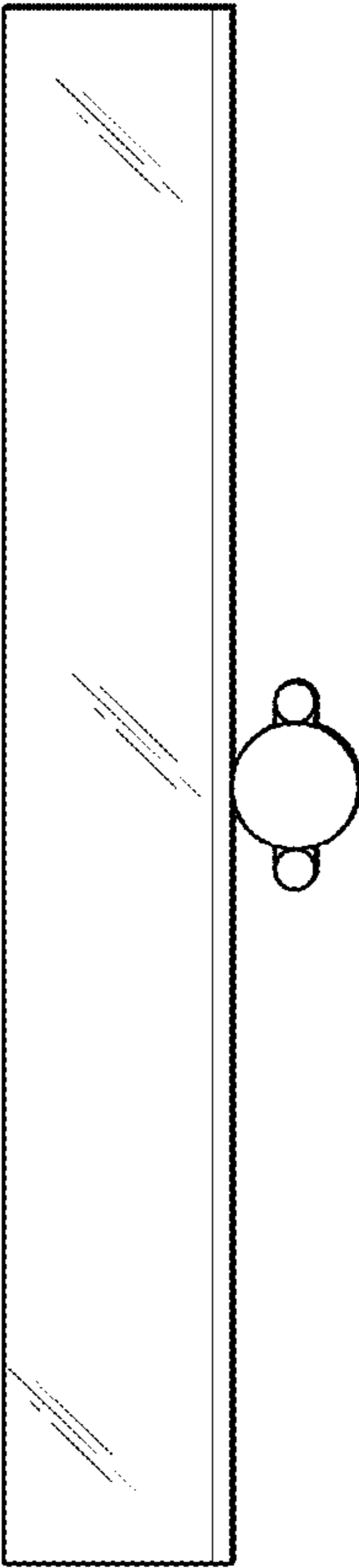


Figure 6

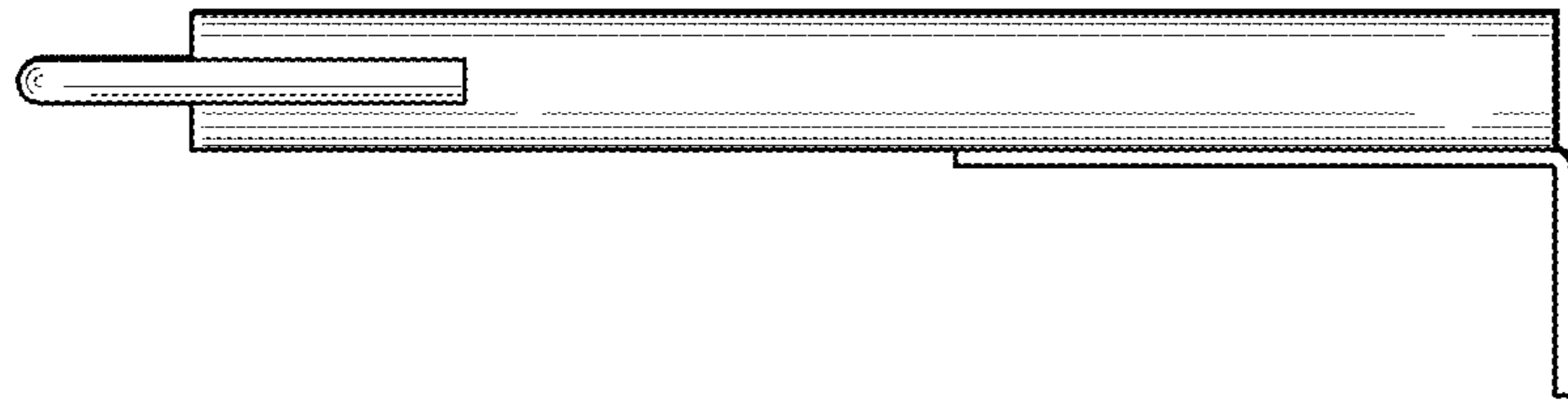


Figure 7