



US00D769697S

(12) **United States Design Patent** (10) **Patent No.:** **US D769,697 S**  
**Kim et al.** (45) **Date of Patent:** **\*\* Oct. 25, 2016**

(54) **SECURITY ATTACHMENT DEVICE**

(71) Applicant: **Apple Inc.**, Cupertino, CA (US)

(72) Inventors: **Elijah Kim**, San Mateo, CA (US);  
**Charles A. Schwalbach**, Menlo Park, CA (US); **Mikael Silvano**, San Francisco, CA (US)

(73) Assignee: **Apple Inc.**, Cupertino, CA (US)

(\*\*) Term: **15 Years**

(21) Appl. No.: **29/534,824**

(22) Filed: **Jul. 31, 2015**

(51) **LOC (10) Cl.** ..... **08-07**

(52) **U.S. Cl.**  
USPC ..... **D8/343; D8/330**

(58) **Field of Classification Search**  
USPC ..... D8/330, 331, 339, 344, 346, 349, 352,  
D8/343, 499; 70/14, 52, 143, 229-232,  
70/431, 465, 466, 51, 55, 58; 292/289,  
292/293, 298, 337; 411/372.5, 372.6, 373,  
411/374, 511  
CPC ..... E05B 9/00; E05B 9/002; E05B 73/00;  
E05C 19/00; E05C 19/18; F16B 1/00;  
F16B 12/00  
See application file for complete search history.

4,540,322 A \* 9/1985 Coffia ..... F16B 41/005  
411/338

4,611,379 A \* 9/1986 Heitzman ..... F16B 41/005  
29/426.5

D461,700 S \* 8/2002 Meredith ..... D8/344

D470,038 S \* 2/2003 Lapp, Jr. .... D8/363

D573,444 S \* 7/2008 Hardt, II ..... D8/343

D577,571 S \* 9/2008 Stevens ..... D8/343

D582,252 S \* 12/2008 Cameron ..... D8/343

D703,513 S \* 4/2014 Mistyurik ..... D8/330

9,133,874 B2 \* 9/2015 Hill ..... F16B 35/00

9,283,904 B2 \* 3/2016 Parenti ..... B60R 13/105

2004/0170487 A1 \* 9/2004 Thompson ..... F16B 33/004  
411/374

\* cited by examiner

*Primary Examiner* — Prabhakar Deshmukh  
(74) *Attorney, Agent, or Firm* — Sterne, Kessler,  
Goldstein & Fox P.L.L.C.

(57) **CLAIM**  
The ornamental design for a security attachment device, as shown and described.

**DESCRIPTION**

FIG. 1 is a top front perspective view of a security attachment device showing our new design;  
FIG. 2 is a bottom rear perspective view thereof;  
FIG. 3 is a front view thereof;  
FIG. 4 is a rear view thereof;  
FIG. 5 is a left side view thereof;  
FIG. 6 is a right side view thereof;  
FIG. 7 is a top view thereof; and,  
FIG. 8 is a bottom view thereof.  
The shade lines in the Figures show contour and not surface ornamentation.

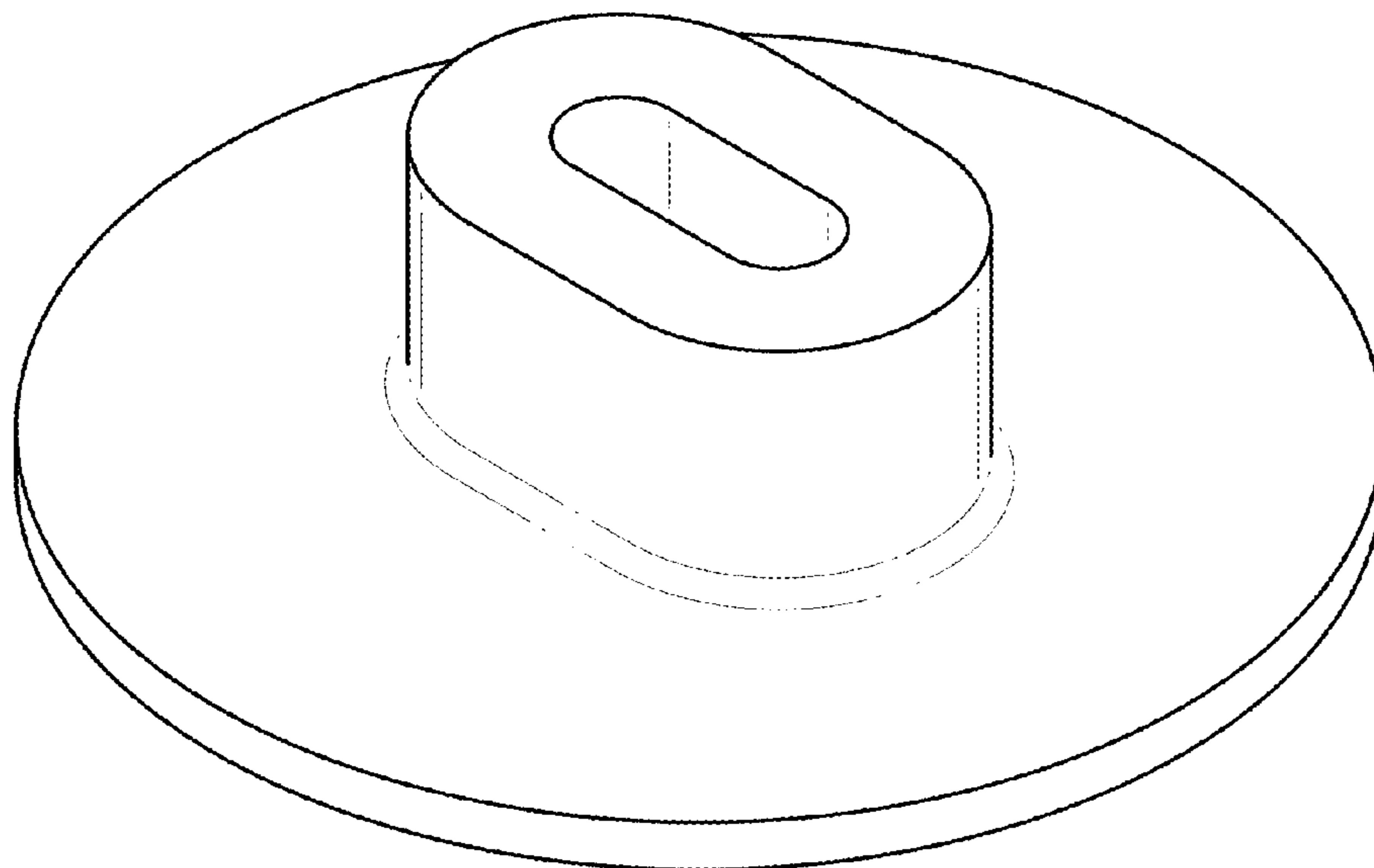
**1 Claim, 6 Drawing Sheets**

(56) **References Cited**

U.S. PATENT DOCUMENTS

1,759,374 A \* 5/1930 Schlage ..... E05B 9/002  
70/449

3,910,079 A \* 10/1975 Gassaway ..... E05B 73/0082  
70/232



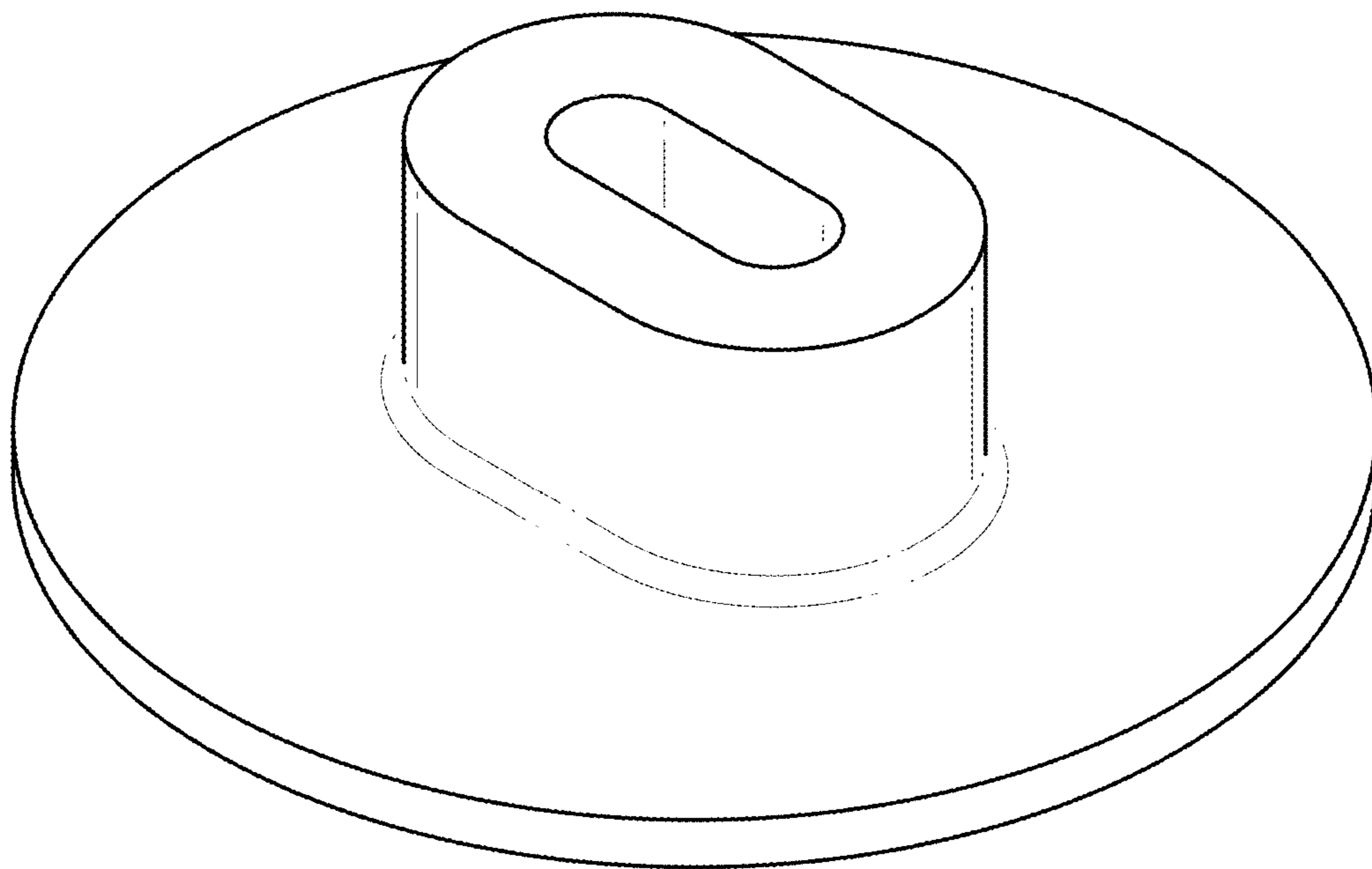


FIG. 1

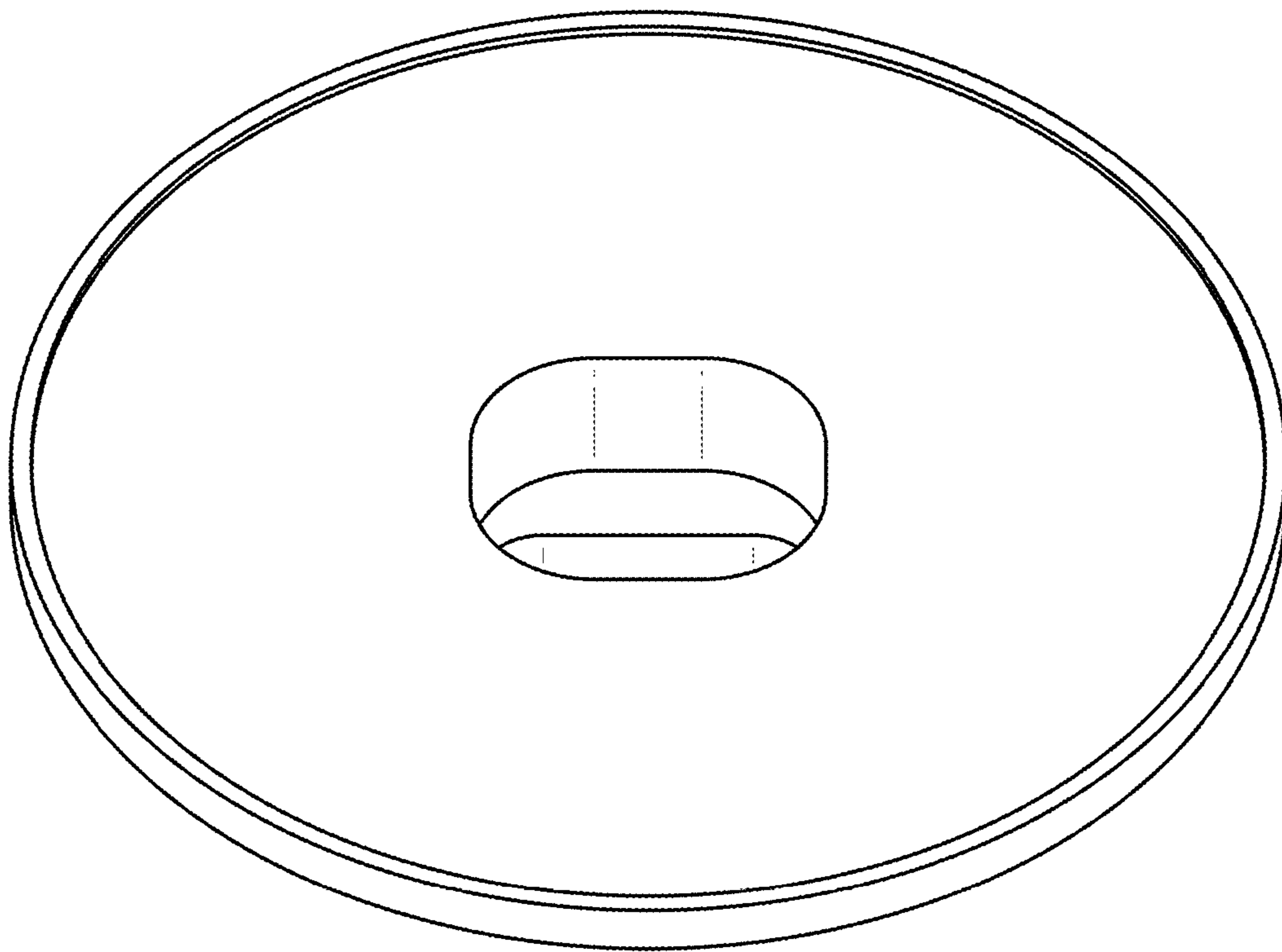
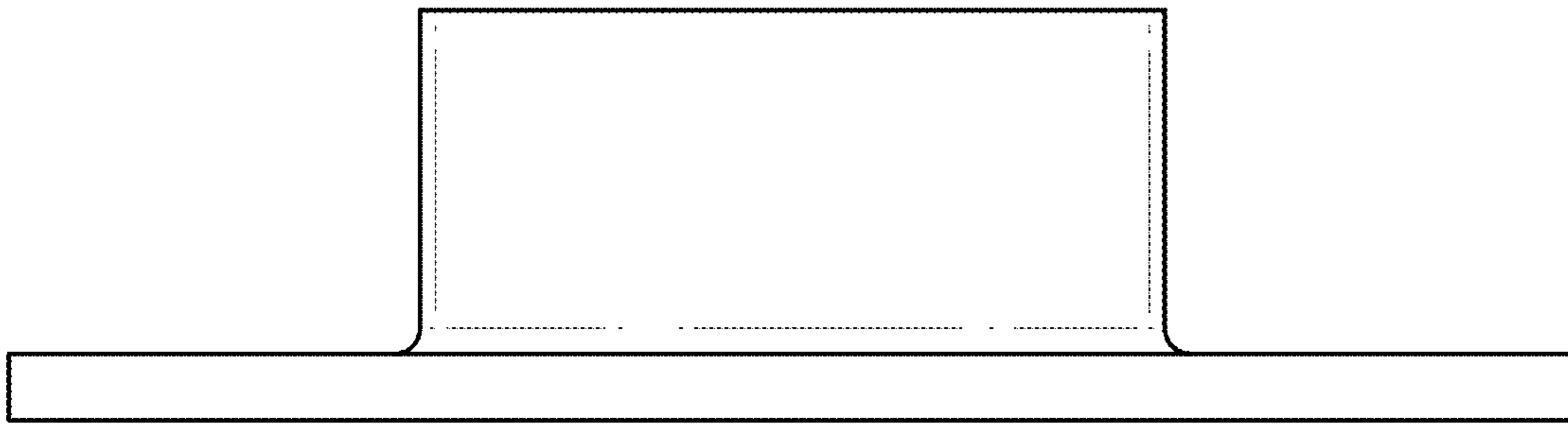
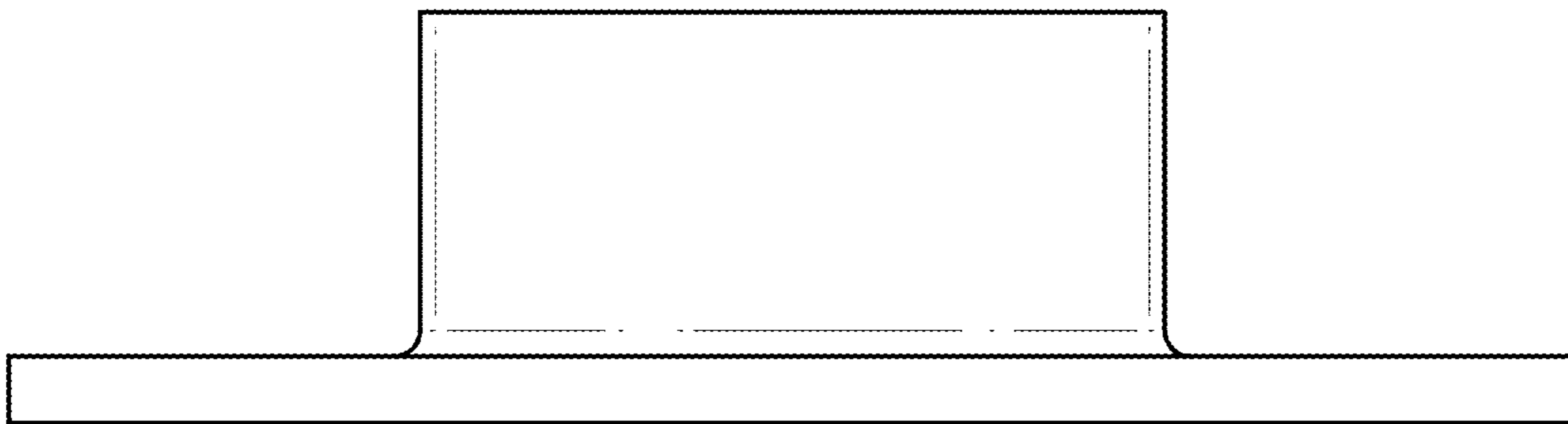


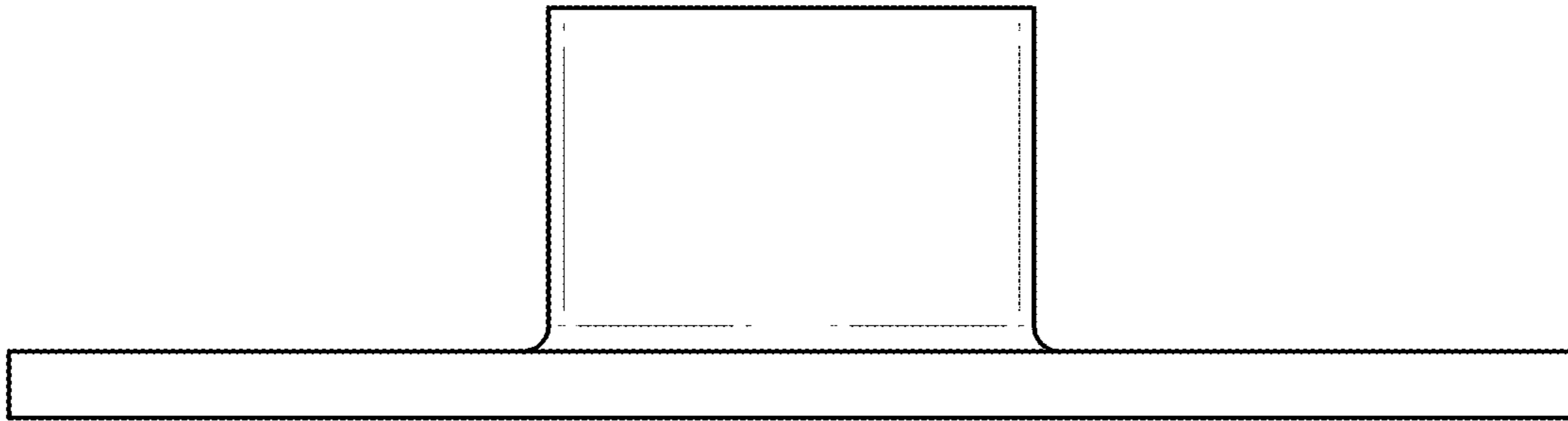
FIG. 2



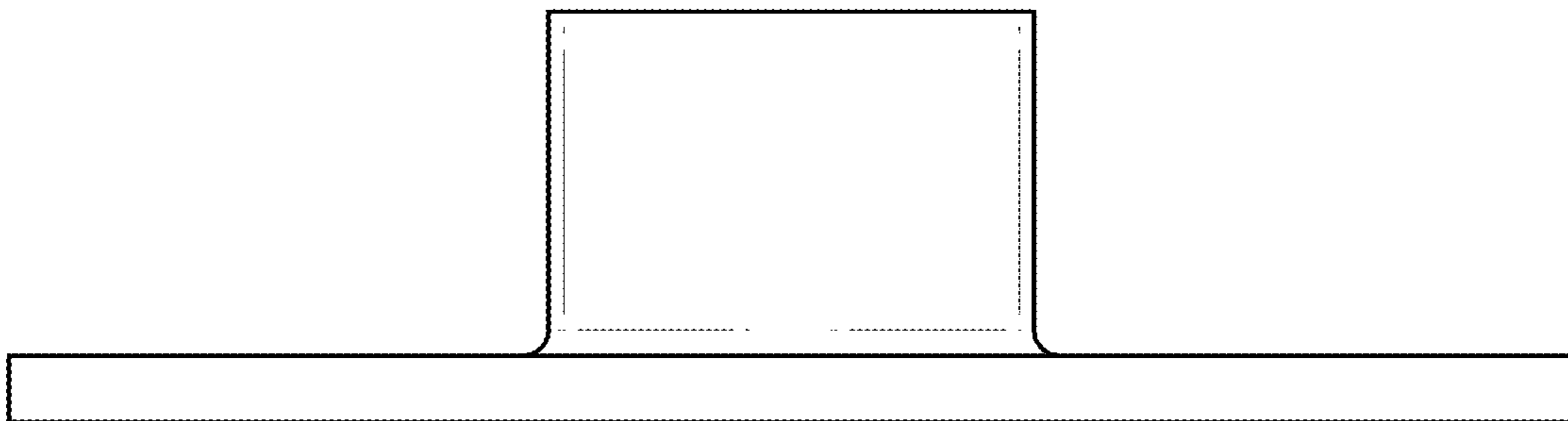
**FIG. 3**



**FIG. 4**



*FIG. 5*



*FIG. 6*

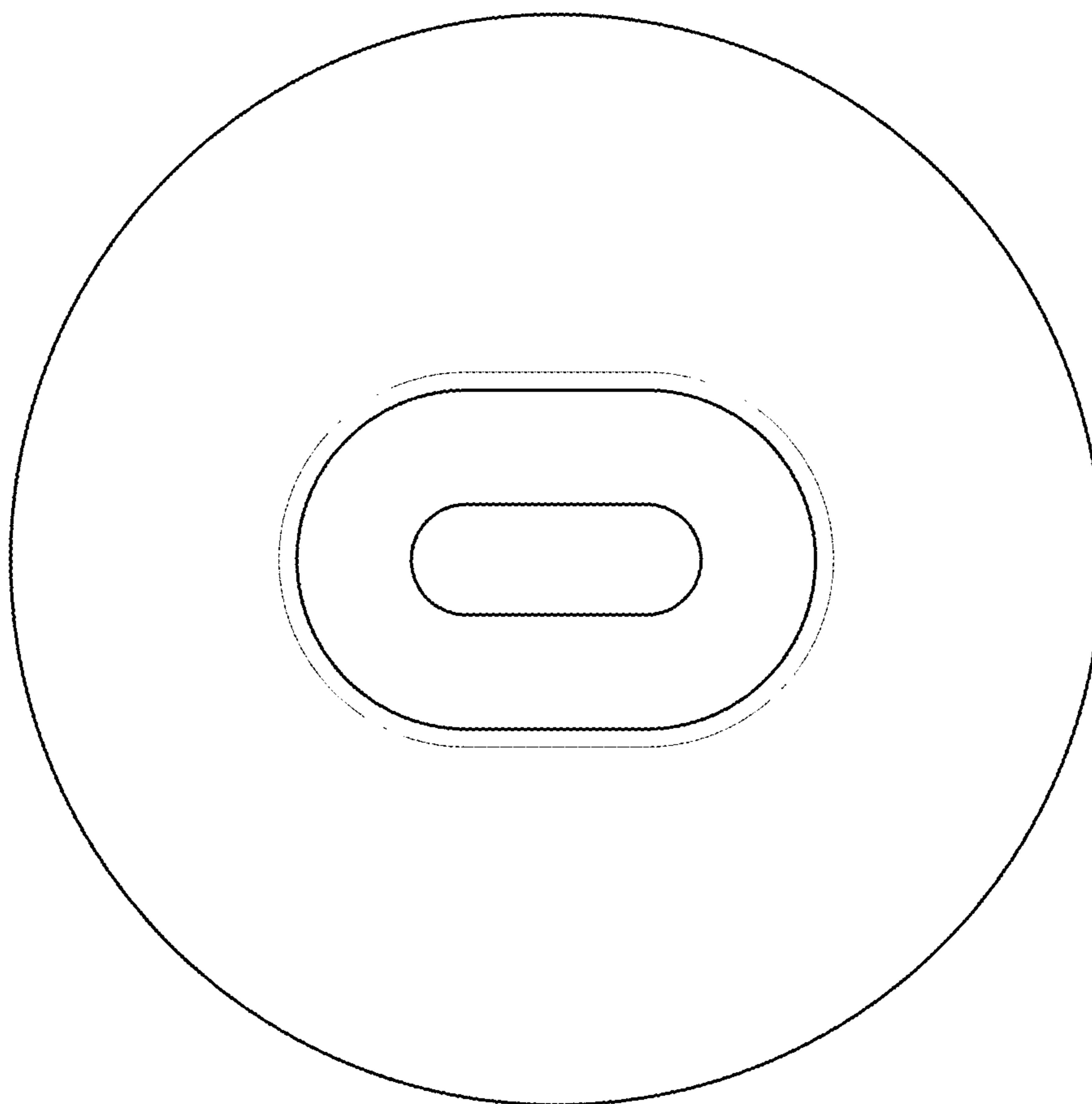


FIG. 7

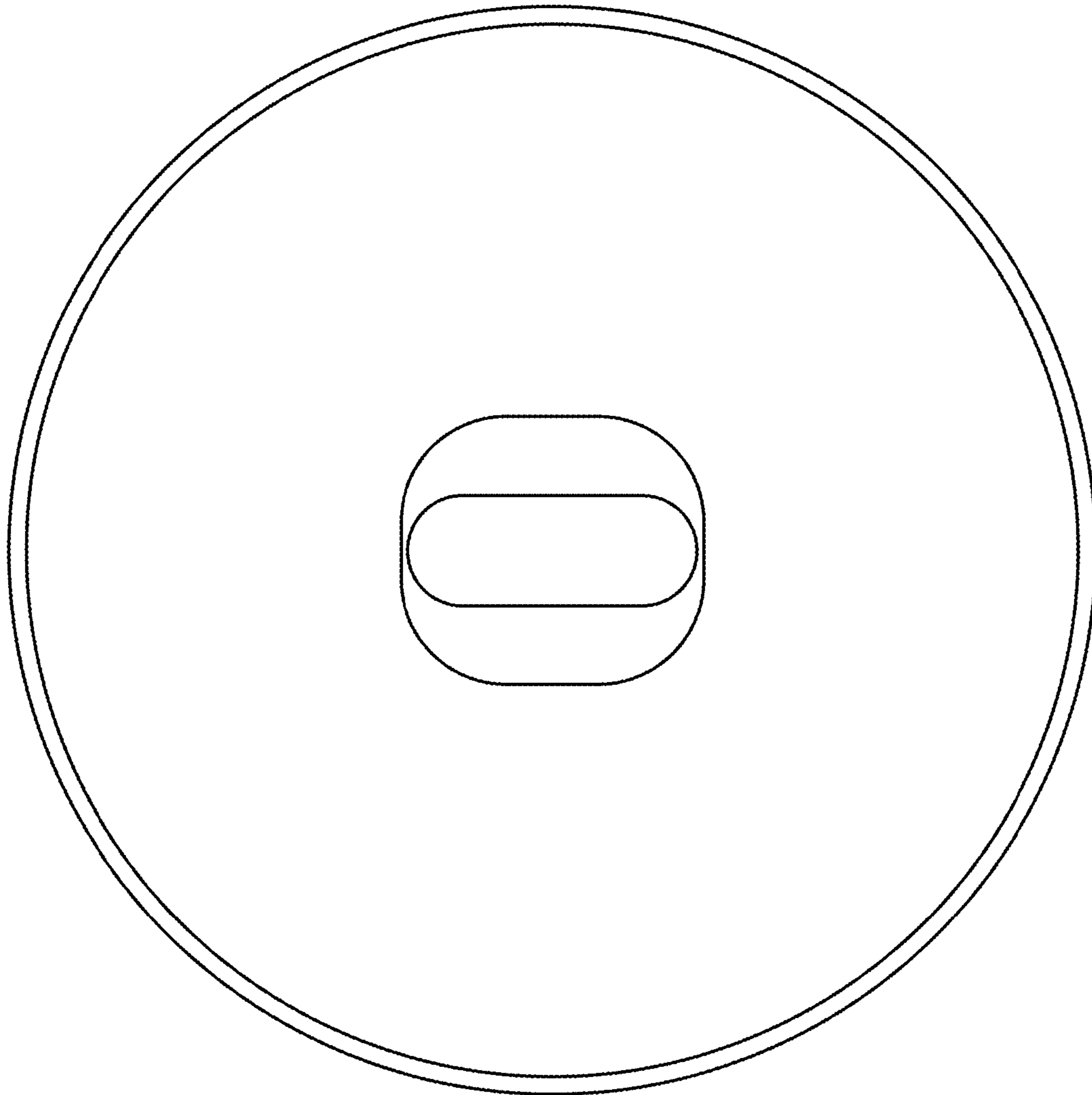


FIG. 8