



US00D769696S

(12) **United States Design Patent**  
**Davis et al.**

(10) **Patent No.:** **US D769,696 S**  
(45) **Date of Patent:** **\*\* Oct. 25, 2016**

- (54) **ELECTRONIC LOCK**
- (71) Applicant: **Videx, Inc.**, Corvallis, OR (US)
- (72) Inventors: **Paul R. Davis**, Corvallis, OR (US);  
**Matthew J. Sarpola**, Corvallis, OR (US)
- (73) Assignee: **Videx, Inc.**, Corvallis, OR (US)
- (\*\*) Term: **15 Years**
- (21) Appl. No.: **29/541,448**
- (22) Filed: **Oct. 2, 2015**
- (51) **LOC (10) Cl.** ..... **08-07**
- (52) **U.S. Cl.**  
USPC ..... **D8/330**
- (58) **Field of Classification Search**  
USPC ..... D8/330, 331, 334, 300, 301, 350;  
70/14, 20-22, 57, 57.1, 284-286, 314,  
70/DIG. 44, 266, 277, 271  
CPC ..... E05B 9/00; E05B 9/02; E05B 2009/006;  
E05B 49/00  
See application file for complete search history.

- 7,958,758 B2 \* 6/2011 Trempala ..... G07C 9/00309  
340/5.7
- D667,286 S \* 9/2012 Wu ..... D8/330
- 8,276,415 B2 \* 10/2012 Trempala ..... E05B 47/063  
340/5.7
- D677,144 S \* 3/2013 Kuschmeader ..... D8/330
- D680,416 S \* 4/2013 Dalton ..... D8/330
- 8,555,682 B2 \* 10/2013 Trunek ..... B62H 5/003  
70/14
- 8,887,542 B2 \* 11/2014 Bogdanov ..... E05B 47/0692  
464/57
- D729,608 S \* 5/2015 Kalous ..... D8/330

\* cited by examiner

*Primary Examiner* — Prabhakar Deshmukh

(74) *Attorney, Agent, or Firm* — Matthew D. Eskue

(57) **CLAIM**

The ornamental design for an electronic lock, as shown and described.

**DESCRIPTION**

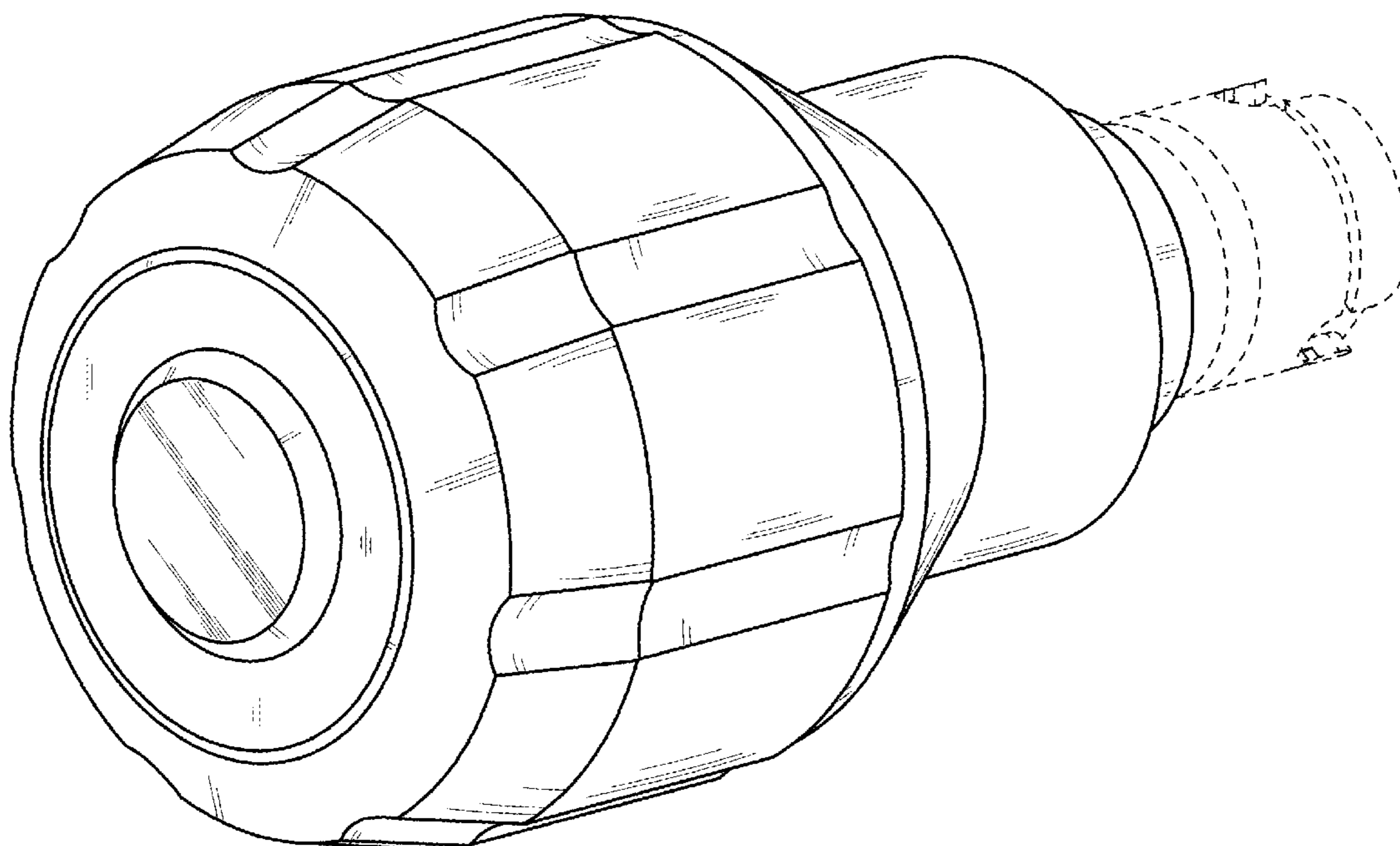
FIG. 1 is a top, front and right side perspective view of an electronic lock showing our new design;  
 FIG. 2 is a top, rear and left side perspective view thereof;  
 FIG. 3 is a front elevational view thereof;  
 FIG. 4 is a rear elevational view thereof;  
 FIG. 5 is a left side elevational view thereof;  
 FIG. 6 is a top plan view thereof; and,  
 FIG. 7 is a bottom plan view thereof.  
 The broken lines illustrate unclaimed portions and form no part of the claimed design. The shade lines indicate contour and not surface ornamentation.

**1 Claim, 7 Drawing Sheets**

(56) **References Cited**

**U.S. PATENT DOCUMENTS**

- 4,142,809 A \* 3/1979 Shell ..... F16B 12/34  
248/251
- D515,399 S \* 2/2006 Ho ..... D8/330
- D600,530 S \* 9/2009 Caudell ..... D8/330
- D618,081 S \* 6/2010 Moyer ..... D8/330



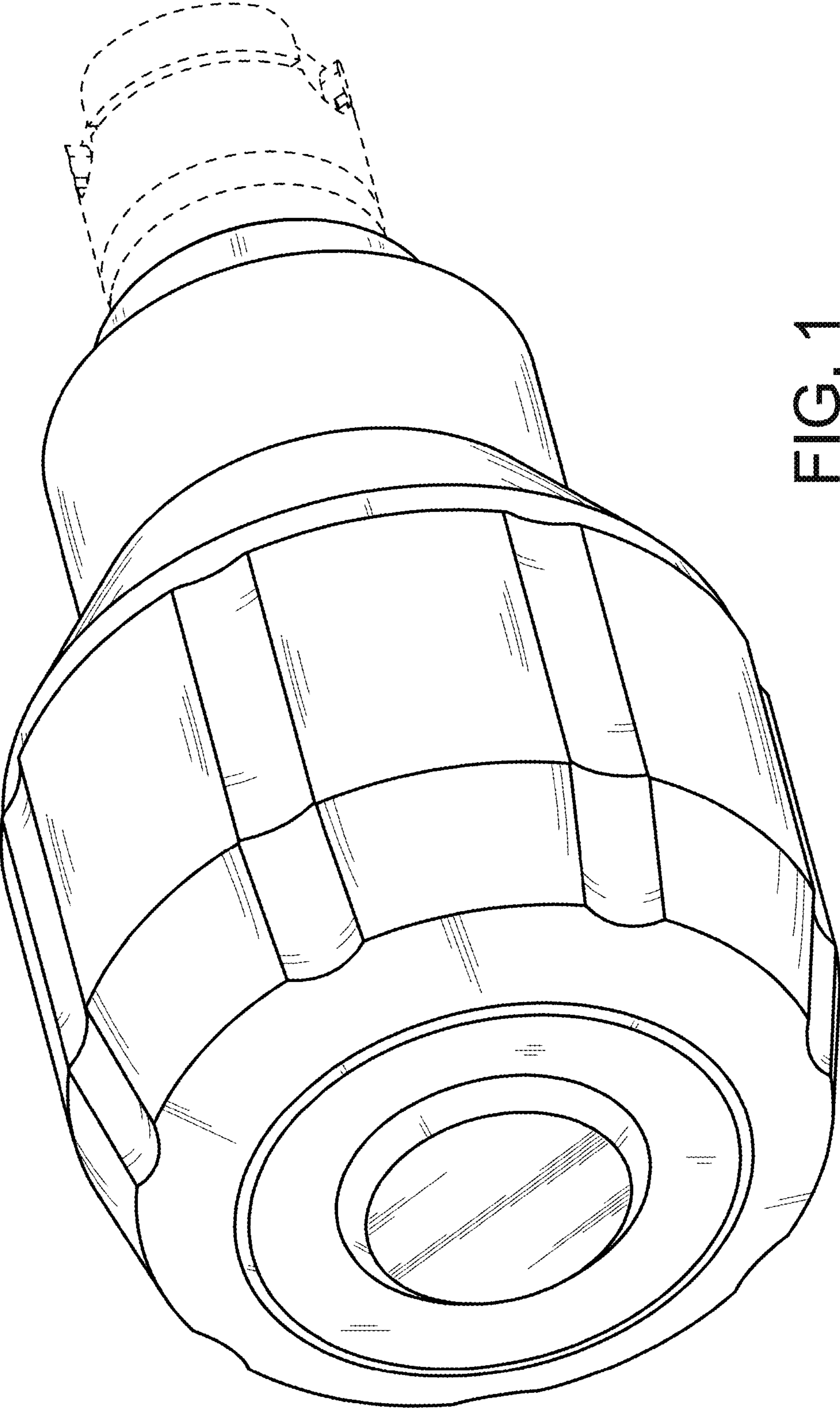


FIG. 1

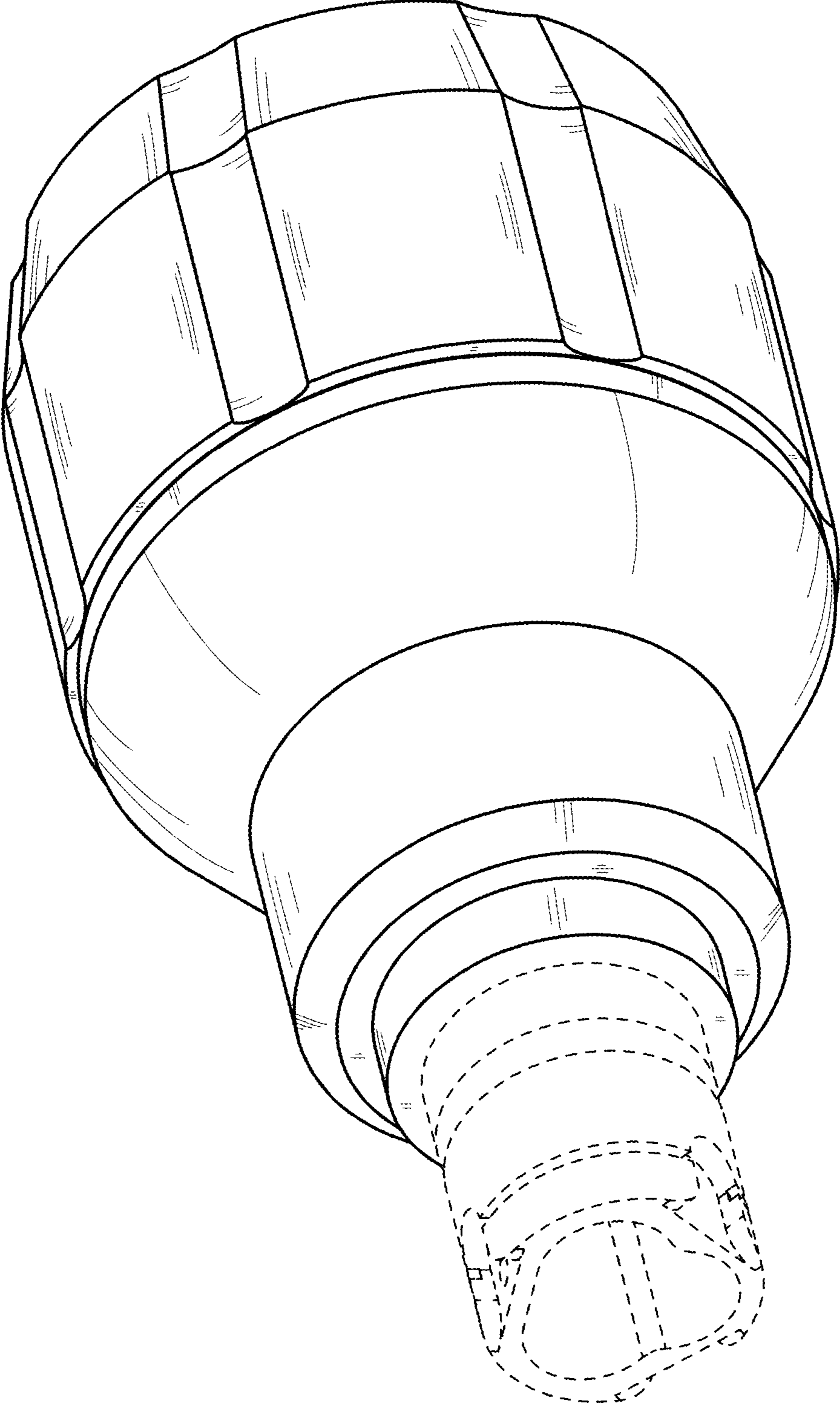


FIG. 2

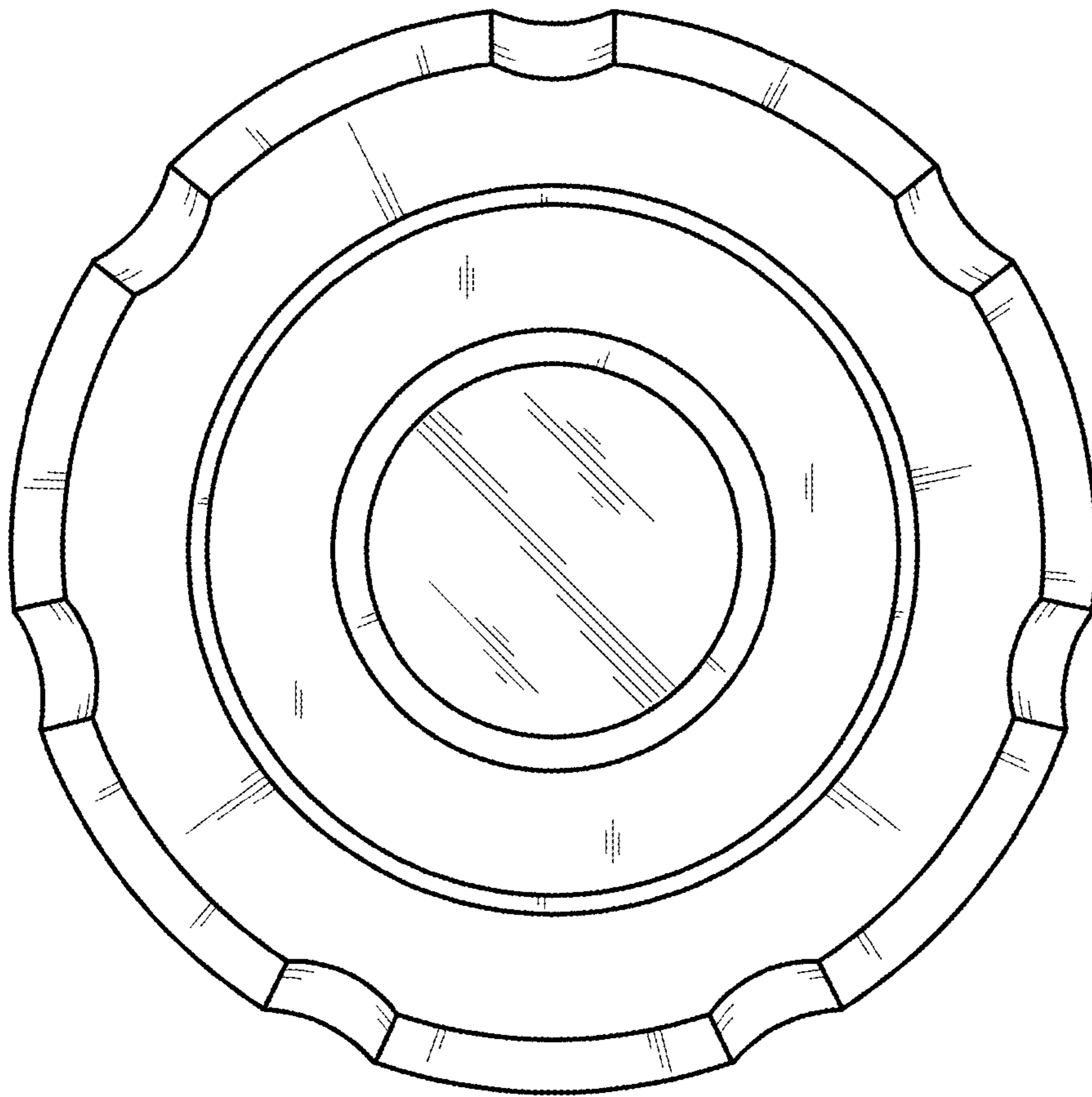


FIG. 3



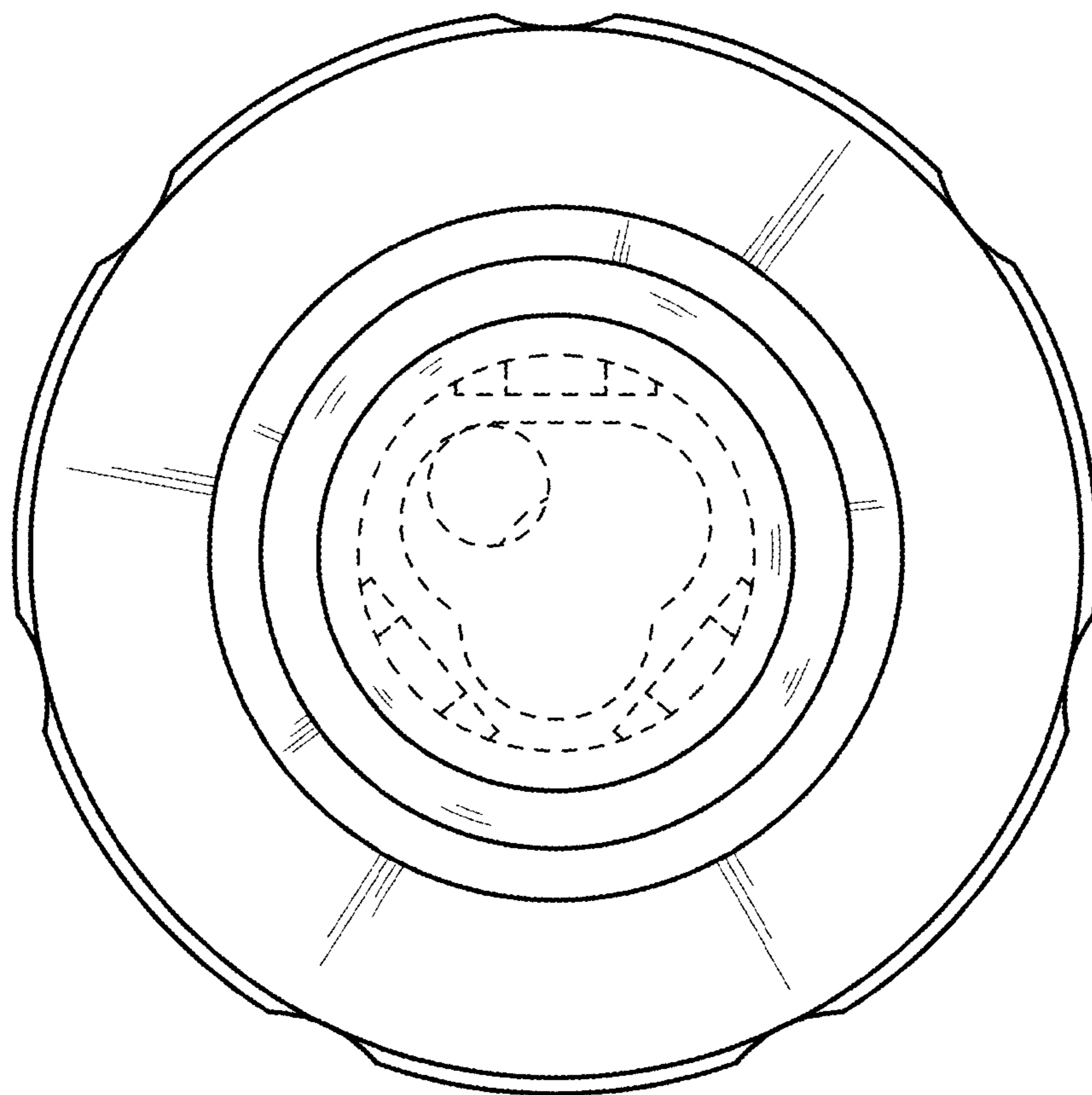


FIG. 4

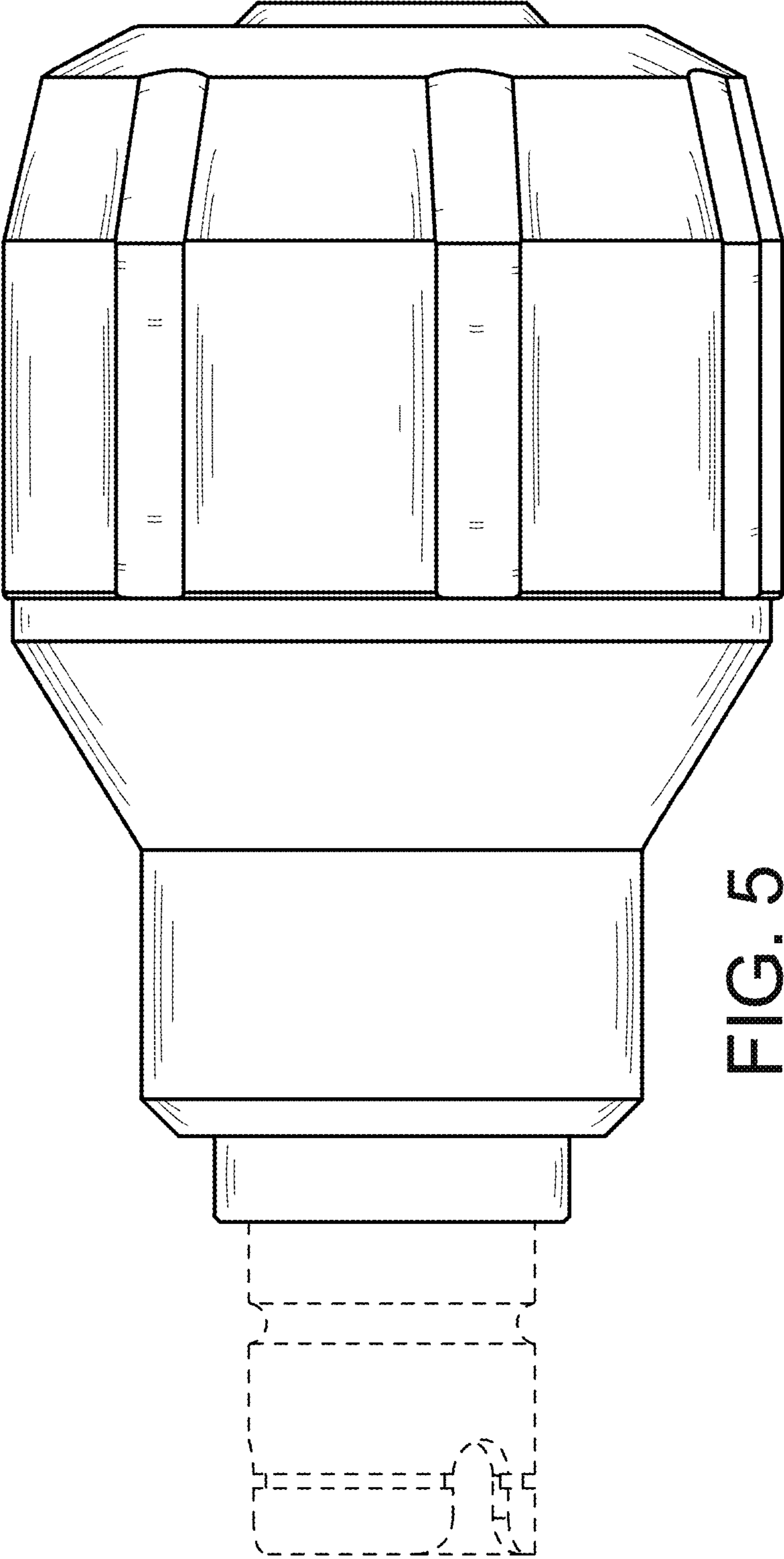


FIG. 5

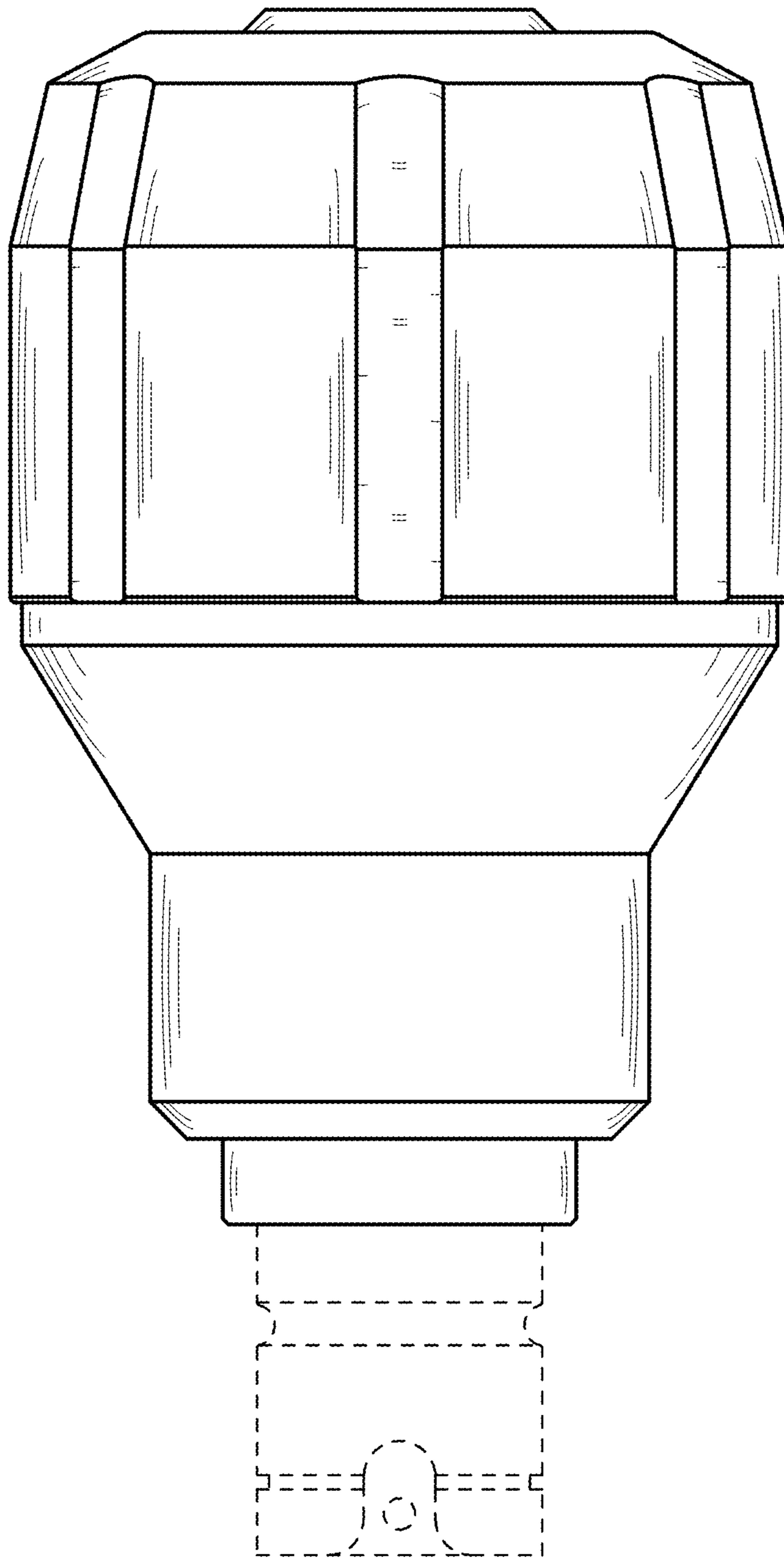


FIG. 6

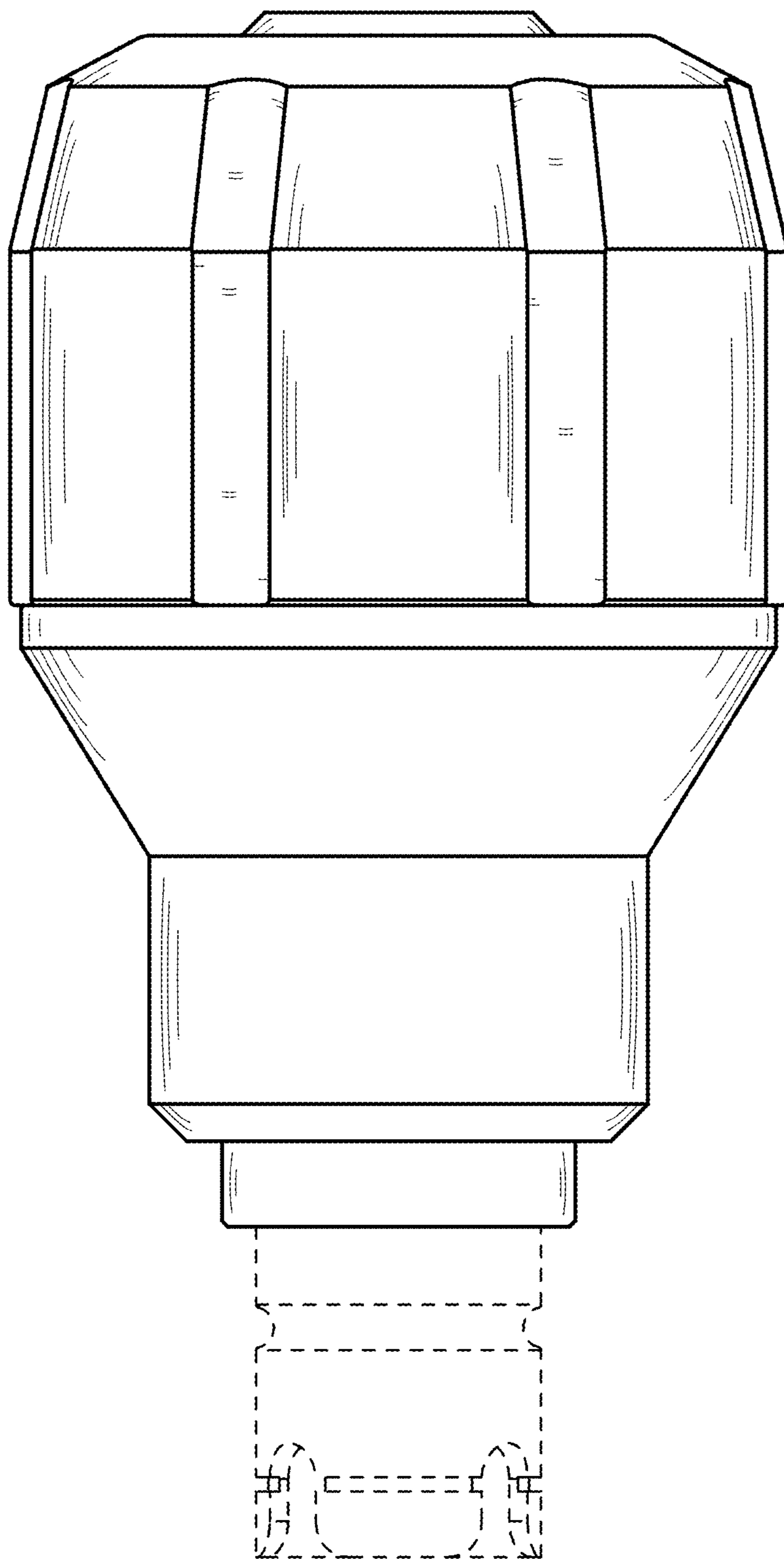


FIG. 7