

US00D769694S

(12) **United States Design Patent**  
**Mingyi**

(10) **Patent No.:** **US D769,694 S**  
(45) **Date of Patent:** **\*\* Oct. 25, 2016**

(54) **KNIFE**  
(71) Applicant: **Taylor Brands, LLC**, Kingsport, TN (US)  
(72) Inventor: **Enlan Su Mingyi**, Guangdong (CN)  
(73) Assignee: **Battenfeld Technologies, Inc.**, Columbia, MO (US)  
(\*\*) Term: **15 Years**  
(21) Appl. No.: **29/531,449**  
(22) Filed: **Jun. 25, 2015**  
(51) **LOC (10) Cl.** ..... **08-03**  
(52) **U.S. Cl.**  
USPC ..... **D8/99**  
(58) **Field of Classification Search**  
USPC ..... D8/98, 99, 100, 105, 107; D22/118  
CPC ..... B26B 1/00; B26B 1/02; B26B 1/04; B26B 1/042; B26B 1/044  
See application file for complete search history.

D561,554 S 2/2008 Taylor  
D562,102 S 2/2008 Pearman  
D562,932 S 2/2008 Taylor  
D578,857 S 10/2008 Yang-Fu  
7,437,822 B2\* 10/2008 Flagg ..... B26B 1/044 30/160  
D599,640 S 9/2009 Yang-Fu  
D599,641 S 9/2009 Yang-Fu  
D600,090 S 9/2009 Yang-Fu  
D613,145 S 4/2010 Yang-Fu  
D632,755 S \* 2/2011 Weiguo ..... D22/118  
D633,772 S \* 3/2011 Behler ..... D8/99  
D688,933 S 9/2013 Cheng  
D706,605 S 6/2014 Cheng  
D733,515 S 7/2015 Cheng  
D734,117 S 7/2015 Cheng  
2006/0143929 A1\* 7/2006 Lake ..... B26B 1/044 30/155  
2006/0260137 A1\* 11/2006 Flagg ..... B26B 1/044 30/160

\* cited by examiner

*Primary Examiner* — Phillip S Hyder  
(74) *Attorney, Agent, or Firm* — Luedeka Neely Group, PC

(57) **CLAIM**  
The ornamental design for a knife, as shown and described.

(56) **References Cited**

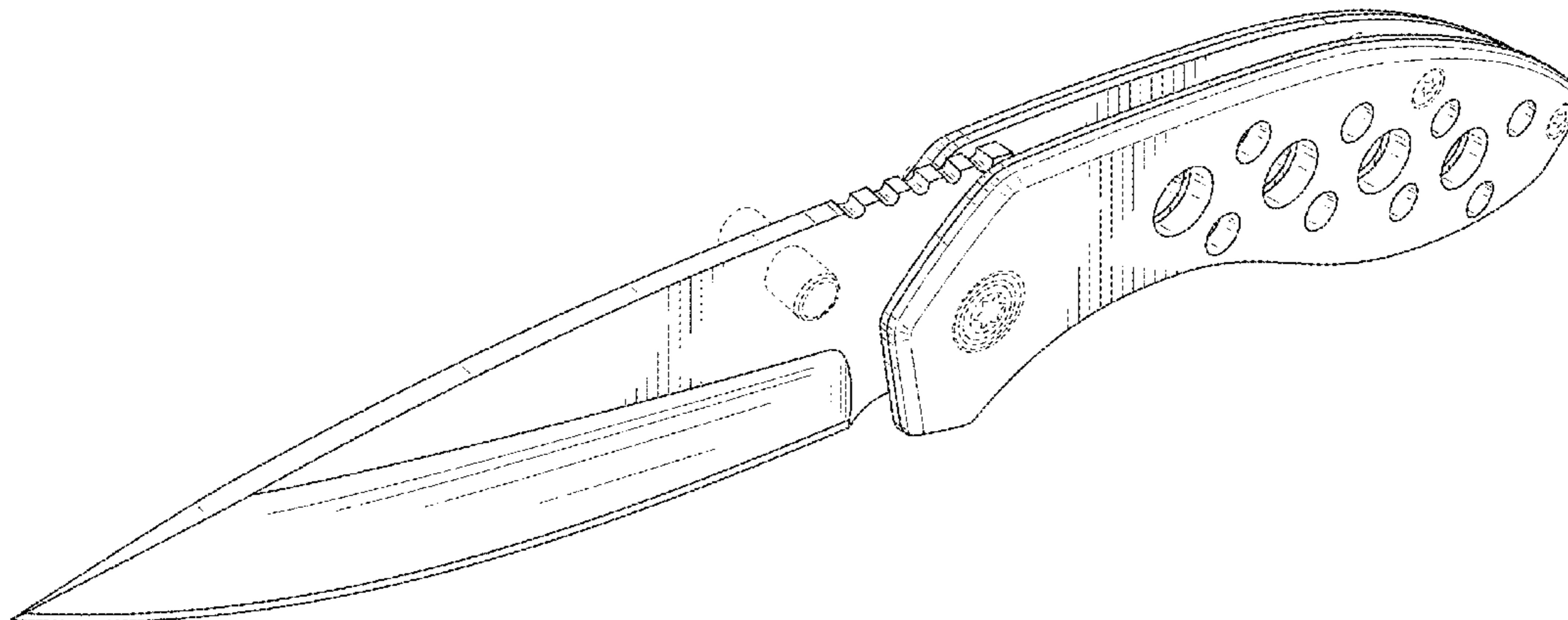
U.S. PATENT DOCUMENTS

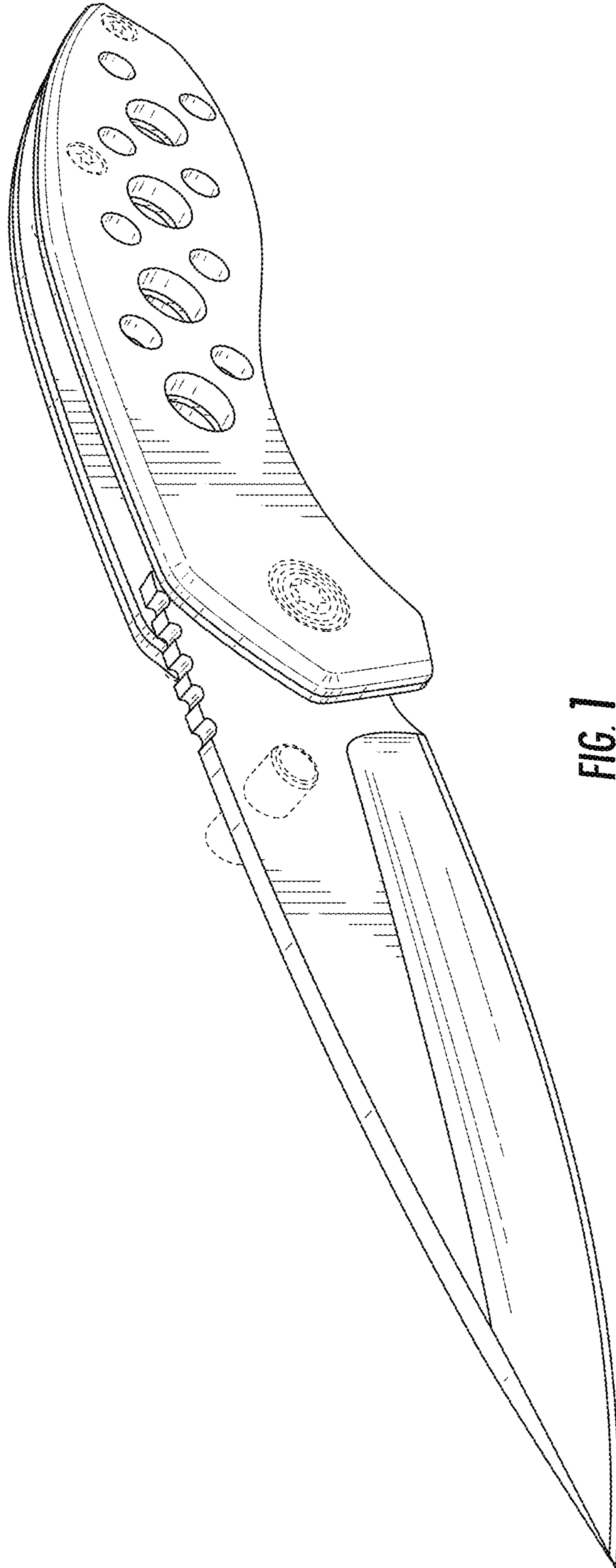
D433,914 S \* 11/2000 Chu ..... D8/99  
6,276,063 B1 \* 8/2001 Chen ..... B26B 1/048 30/155  
D454,769 S 3/2002 Gardiner et al.  
D459,188 S 6/2002 Gardiner et al.  
D467,783 S \* 12/2002 Onion ..... D8/107  
D479,114 S \* 9/2003 Onion ..... D8/99  
D482,257 S 11/2003 Taylor et al.  
D482,258 S 11/2003 Taylor et al.  
D489,956 S \* 5/2004 Rae ..... D8/99  
D505,057 S 5/2005 Ralph  
D512,624 S 12/2005 Taylor et al.  
D539,631 S 4/2007 Taylor  
D554,964 S 11/2007 Taylor  
D561,295 S 2/2008 Taylor

**DESCRIPTION**

FIG. 1 is a perspective view of a knife of my new design. FIG. 2 is a left side elevation view of the knife of FIG. 1. FIG. 3 is a right side elevation view of the knife of FIG. 1. FIG. 4 is a front end view of the knife of FIG. 1. FIG. 5 is a rear end view of the knife of FIG. 1. FIG. 6 is a top plan view of the knife of FIG. 1; and, FIG. 7 is a bottom plan view of the knife of FIG. 1. The broken lines in the drawings are included for the purpose of illustrating unclaimed features and form no part of the claimed design.

**1 Claim, 6 Drawing Sheets**





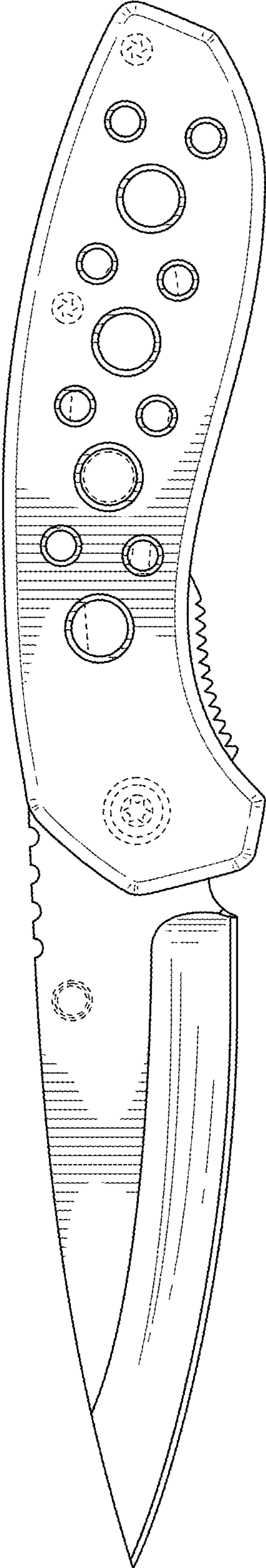


FIG. 2

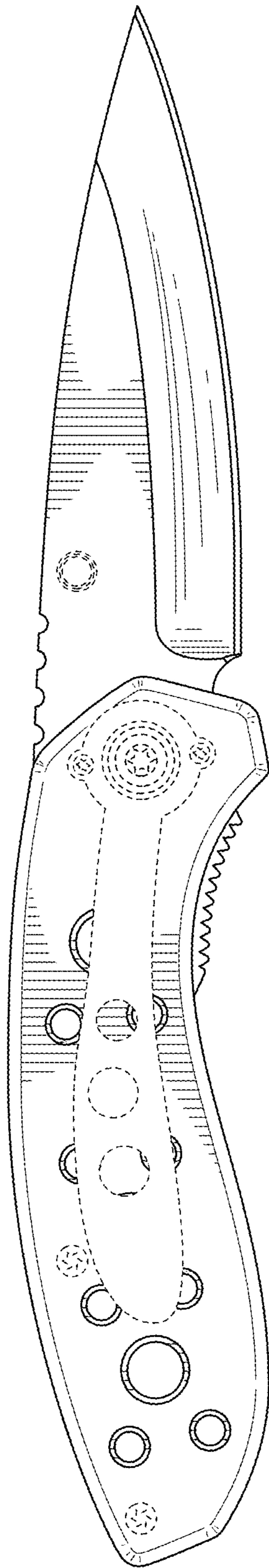
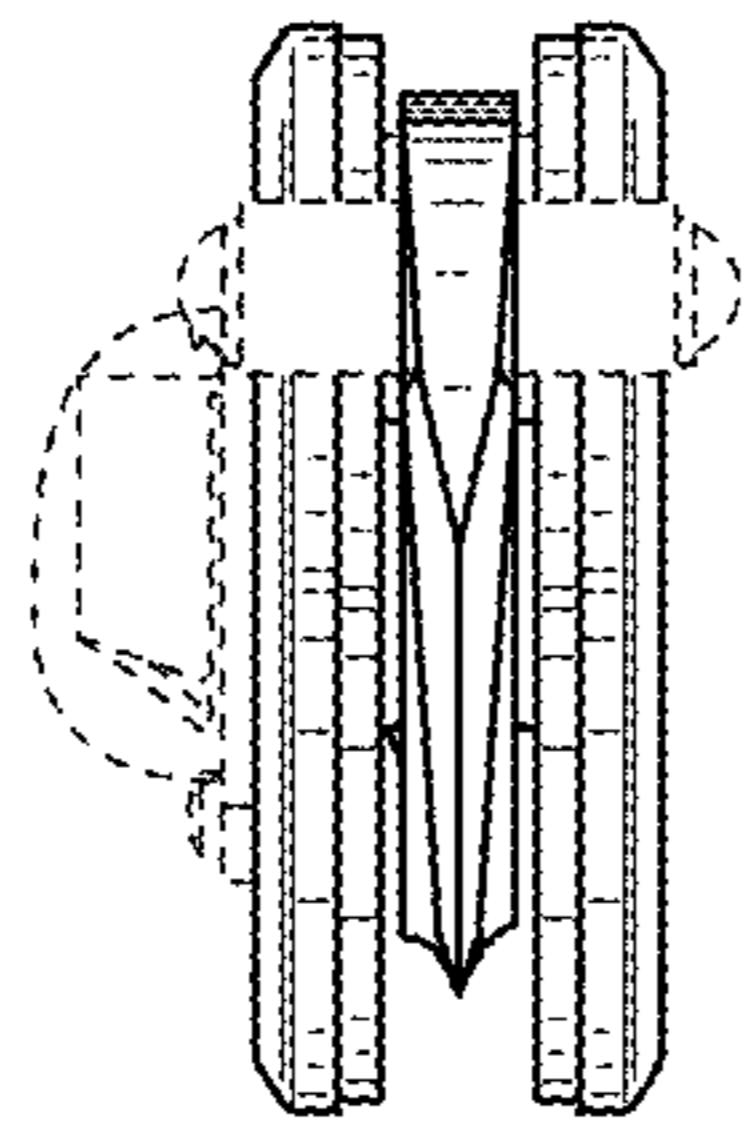
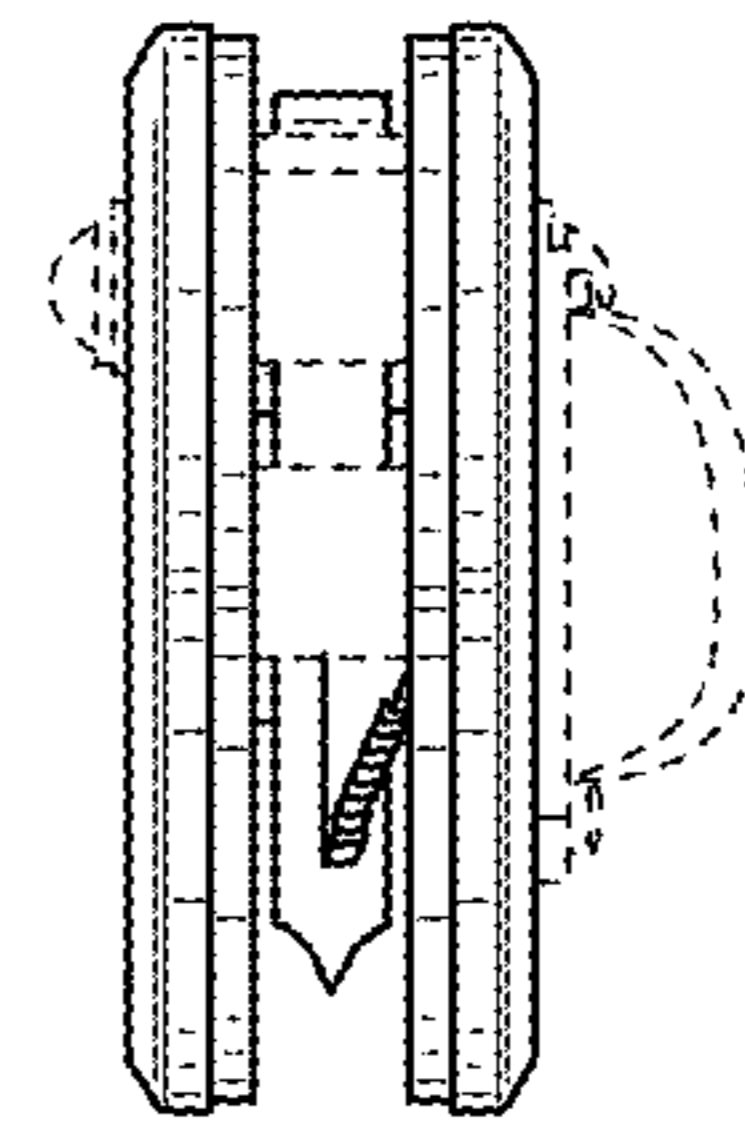


FIG. 3



**FIG. 4**



**FIG. 5**

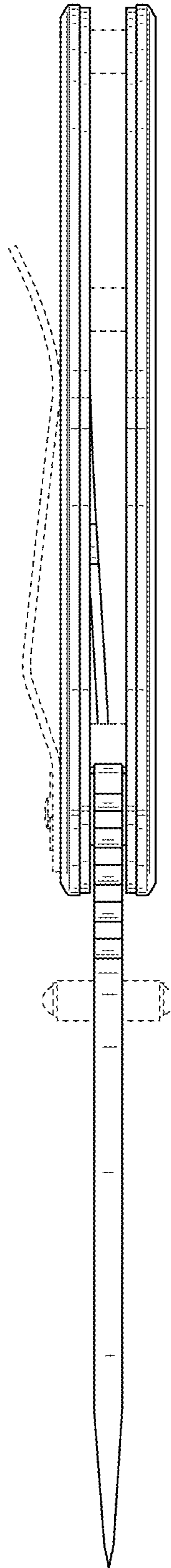


FIG. 6

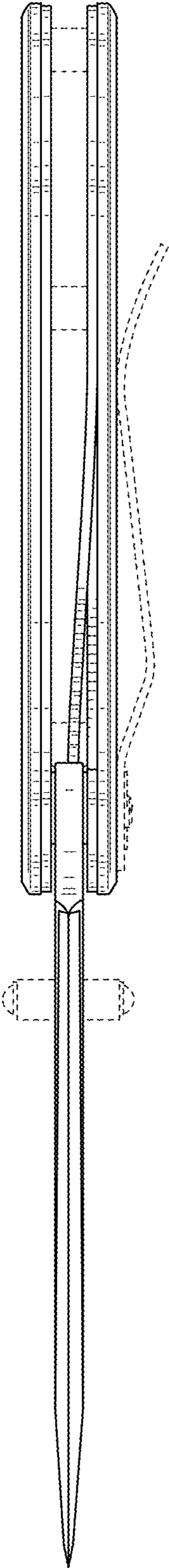


FIG. 7