



US00D769691S

(12) **United States Design Patent**
Lutgen et al.

(10) **Patent No.:** **US D769,691 S**
(45) **Date of Patent:** **** Oct. 25, 2016**

(54) **CUTTER**

(75) Inventors: **Joseph L. Lutgen**, Costa Mesa, CA (US); **Markus E. Gropl**, Huntington Beach, CA (US); **Brandon L. Spoelstra**, Costa Mesa, CA (US); **Joseph P. Garavaglia**, Newport Beach, CA (US)

(73) Assignee: **PACIFIC HANDY CUTTER, INC.**, Irvine, CA (US)

(**) Term: **14 Years**

(21) Appl. No.: **29/401,233**

(22) Filed: **Sep. 8, 2011**

(51) **LOC (10) Cl.** **08-03**

(52) **U.S. Cl.**
USPC **D8/98**

(58) **Field of Classification Search**
USPC D8/14, 51, 98-99, 107; 30/363-364; 221/25-26, 30-32, 13, 1
See application file for complete search history.

(56) **References Cited**

U.S. PATENT DOCUMENTS

D229,023	S	*	11/1973	Laurenti	D8/61
4,064,626	A	*	12/1977	Meshulam et al.	30/287
4,885,818	A		12/1989	Arterbury		
D337,931	S		8/1993	Dann		
D370,399	S		6/1996	Bodnar		
5,761,767	A		6/1998	Barton		
5,850,663	A		12/1998	Hardy et al.		
6,094,780	A		8/2000	McGlothlin et al.		
D448,266	S	*	9/2001	Young et al.	D8/99
6,438,850	B2		8/2002	Young et al.		
6,502,311	B1		1/2003	Khachatoorian		
6,530,125	B2		3/2003	Shippert		
D483,910	S	*	12/2003	O'Brien, II	D28/57
6,988,295	B2		1/2006	Tillim		
7,082,688	B2		8/2006	Votolato		
D529,094	S	*	9/2006	Weng	D19/72
D545,164	S		6/2007	Holby		
D573,848	S	*	7/2008	Richmond et al.	D7/643
D576,280	S	*	9/2008	Bullemer et al.	D24/147
D581,596	S	*	11/2008	Sarway	D28/59
D608,003	S	*	1/2010	Bullemer et al.	D24/147

(Continued)

OTHER PUBLICATIONS

Martor Couppy. Downloaded from <http://www.martorusa.com/Couppy-43136> on Mar. 20, 2012.*

Primary Examiner — Philip S Hyder
Assistant Examiner — Roselynn Cody

(74) *Attorney, Agent, or Firm* — Henricks, Slavin & Holmes LLP

(57) **CLAIM**

The ornamental design for a cutter, as shown and described.

DESCRIPTION

This application is related to U.S. patent application Ser. No. 13/228,394, entitled "Ergonomic Cutter" filed herewith, U.S. patent application Ser. No. 13/228,399, entitled "Cutter and Safety Holster System" filed herewith, U.S. patent application Ser. No. 13/228,408, entitled "Safety Cutter with Improved Blade Deployment Mechanism" filed herewith, U.S. patent application Ser. No. 13/228,413, entitled "Safety Cutter with Improved Blade Locking Mechanism" filed herewith, U.S. patent application Ser. No. 13/228,416, entitled "Safety Cutter with Improved Blade Depth Adjustment Mechanism" filed herewith, U.S. patent application Ser. No. 13/228,417, entitled "Safety Cutter with Improved Blade Change Mechanism" filed herewith, U.S. patent application Ser. No. 13/228,418, entitled "Safety Cutter with Improved Blade Storage Mechanism" filed herewith.

FIG. 1 is a perspective view of a cutter showing our new design;

FIG. 2 is a front view thereof;

FIG. 3 is a rear view thereof;

FIG. 4 is a right side view thereof;

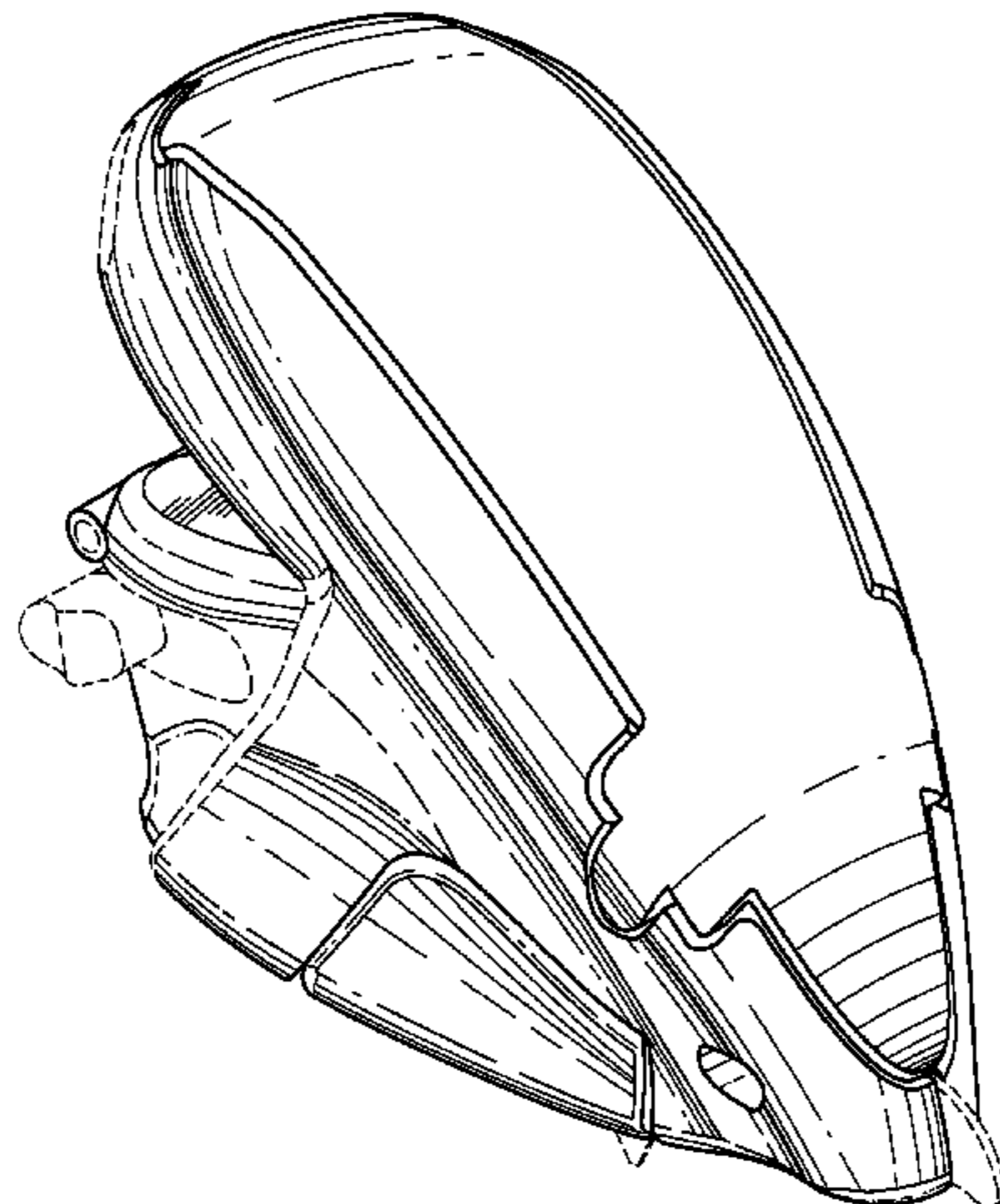
FIG. 5 is a left side view thereof;

FIG. 6 is a top view thereof; and,

FIG. 7 is a bottom view thereof.

The broken lines in the drawings show features of the cutter that are included for illustrative purposes only and form no part of the claim.

1 Claim, 6 Drawing Sheets



(56)

References Cited

U.S. PATENT DOCUMENTS

D608,445 S * 1/2010 Bullemer et al. D24/147
7,963,040 B2 * 6/2011 Shan et al. 30/90.1
8,042,273 B2 * 10/2011 Drake et al. 30/90.4
D649,424 S 11/2011 Bunnag et al.

8,122,605 B2 2/2012 Votolato
2003/0037444 A1 2/2003 Chunn
2008/0163491 A1* 7/2008 Pearson 30/123
2008/0163493 A1 7/2008 Votolato
2011/0162215 A1* 7/2011 Yu Chen 30/286
2011/0308093 A1* 12/2011 Samples et al. 30/286

* cited by examiner

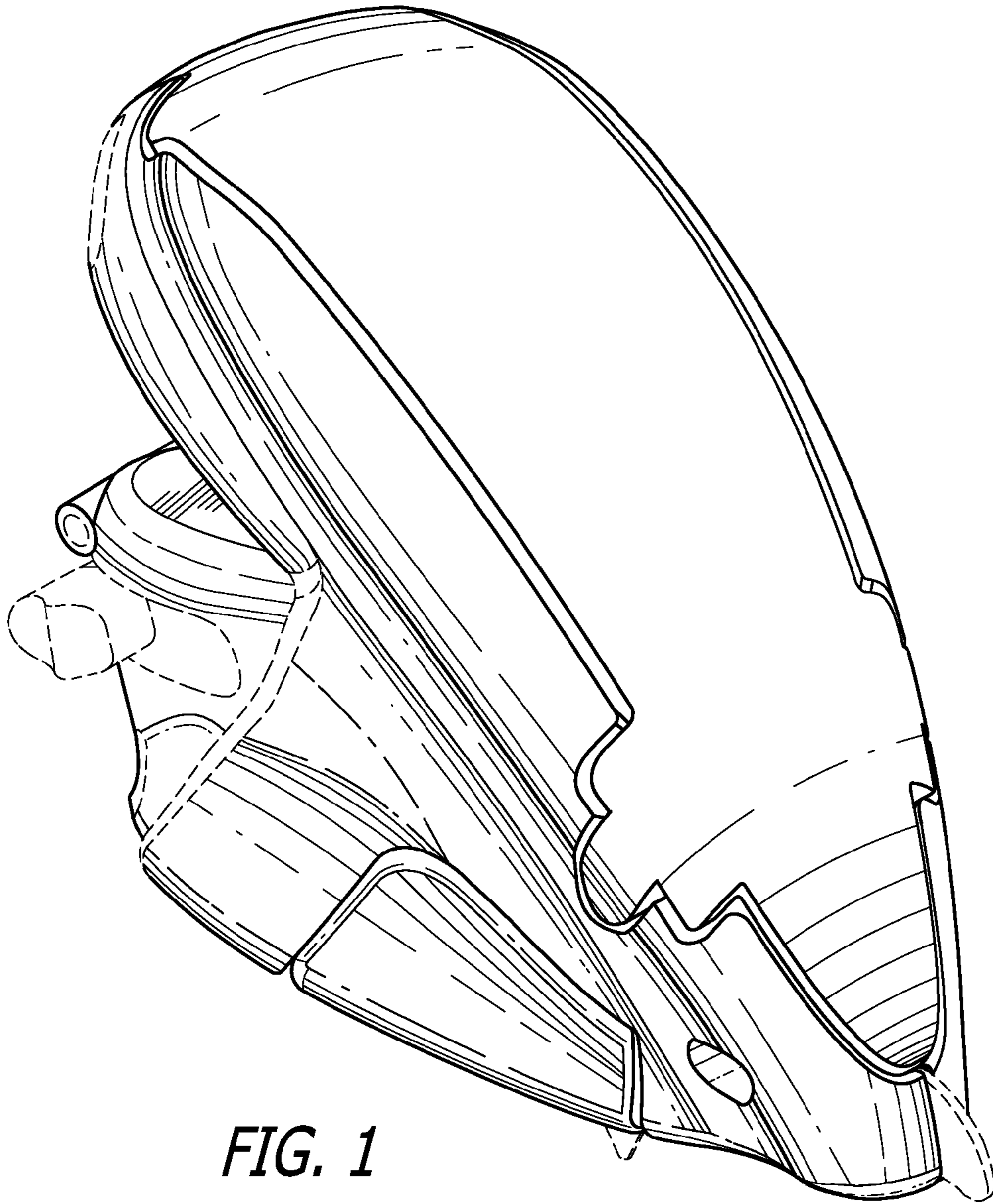


FIG. 1

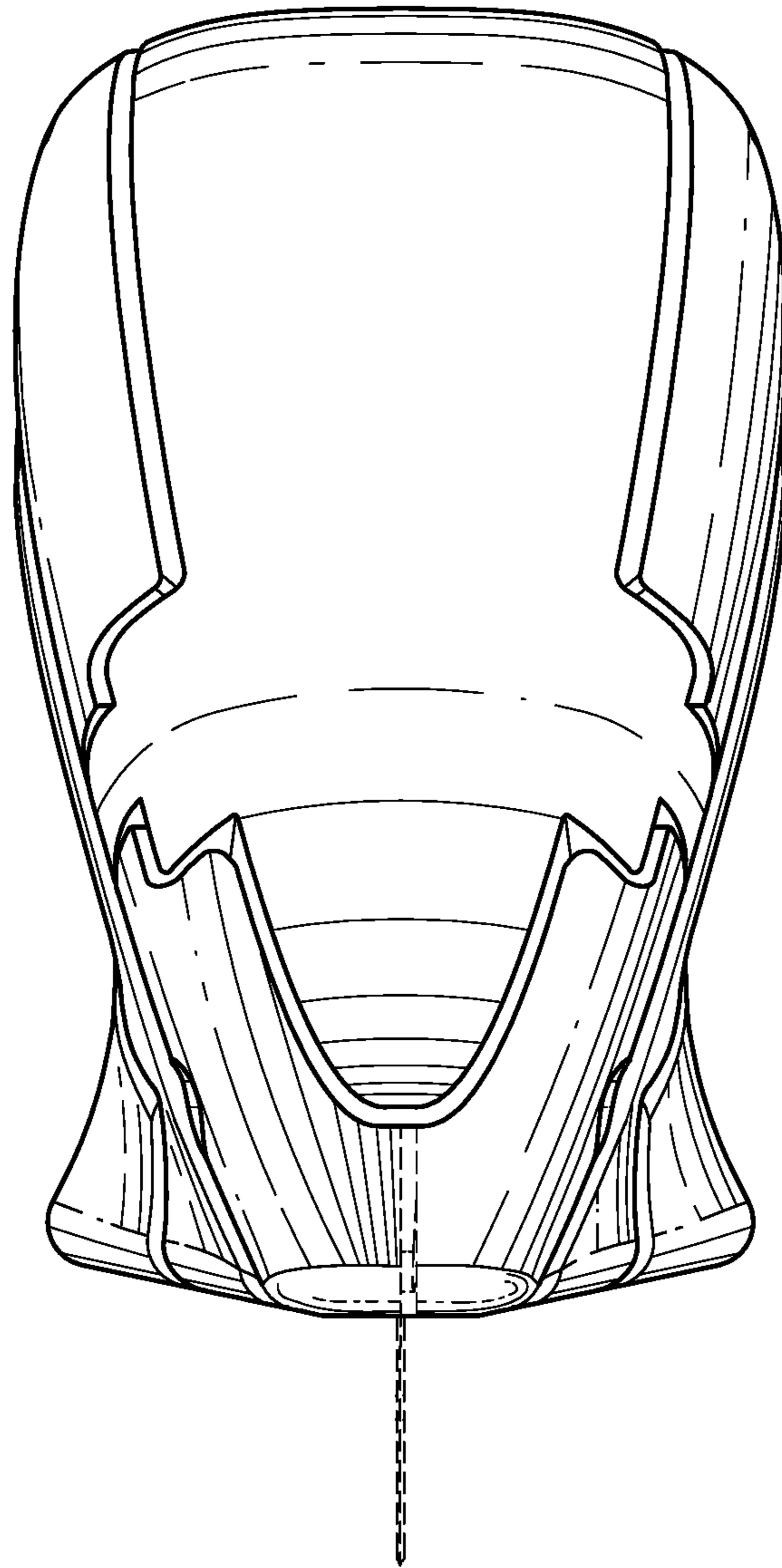


FIG. 2

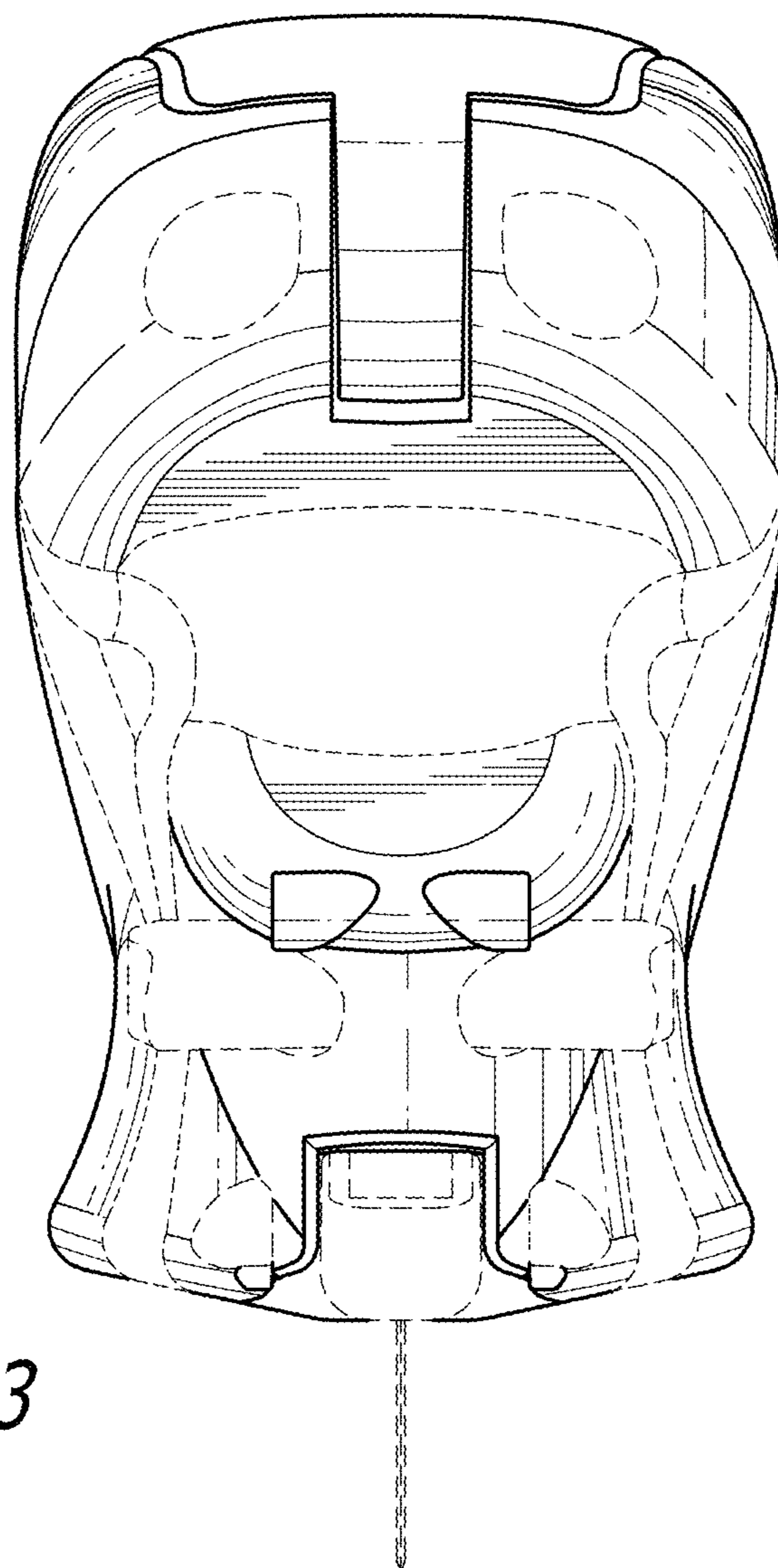


FIG. 3

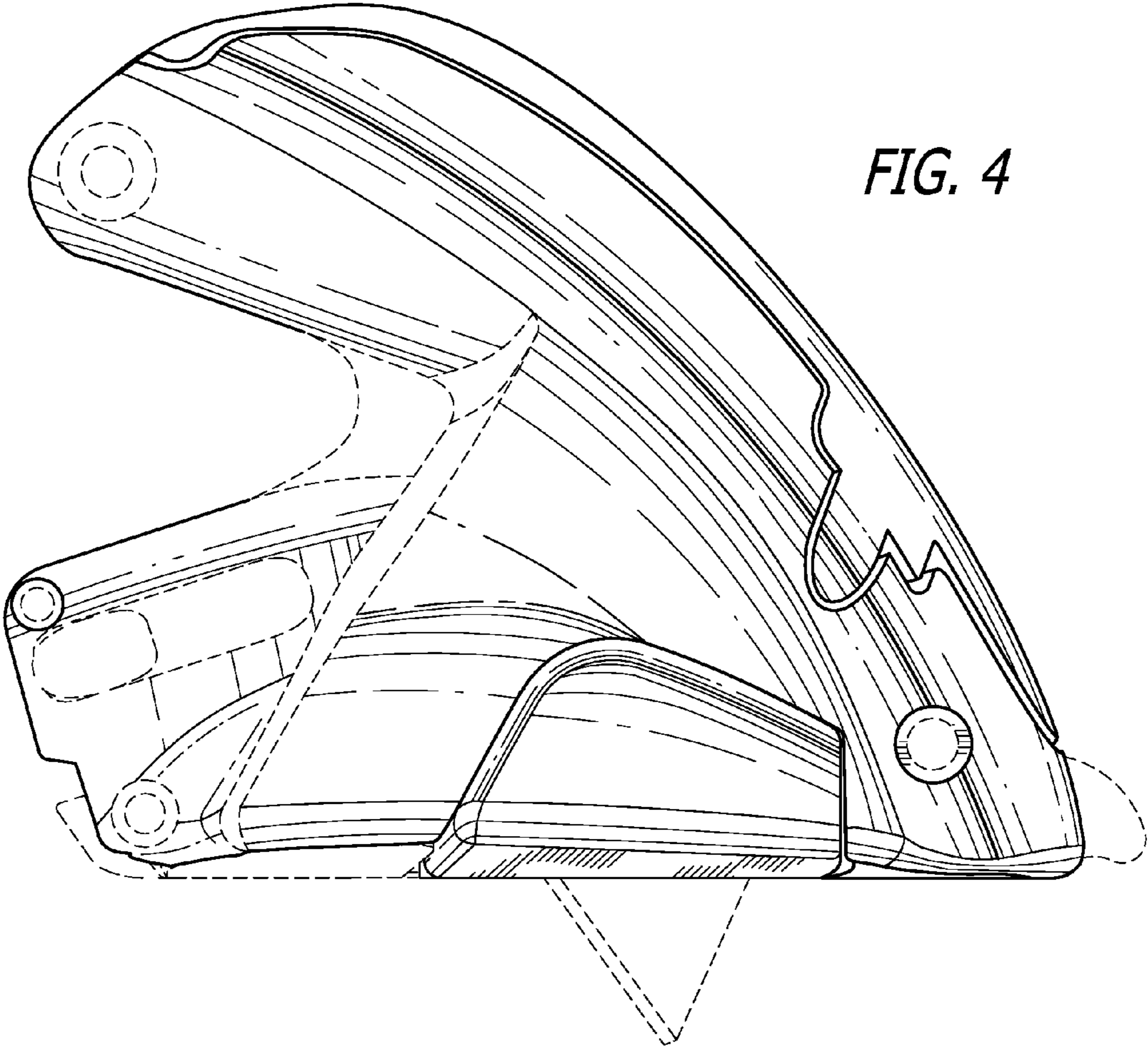
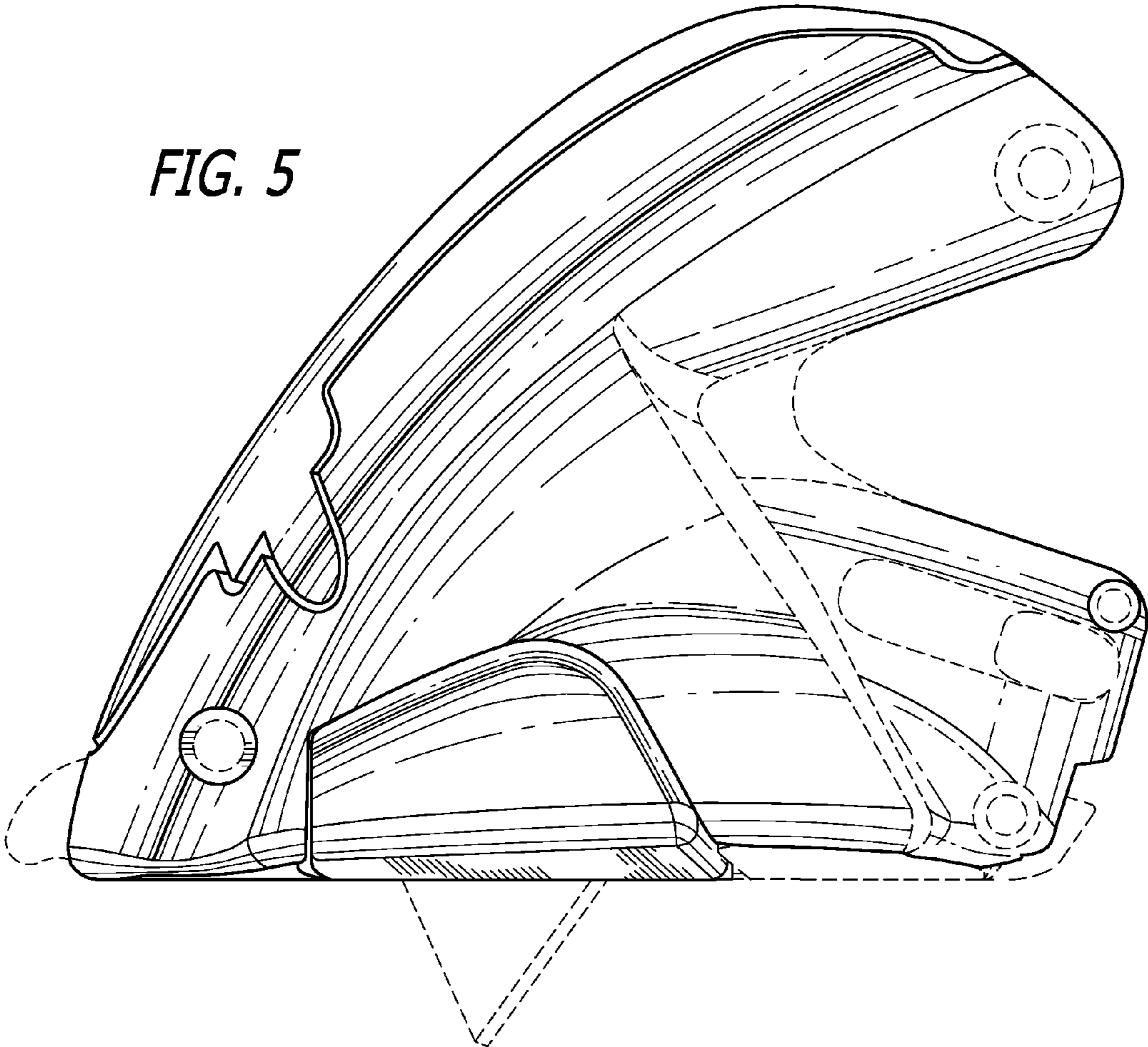


FIG. 4

FIG. 5



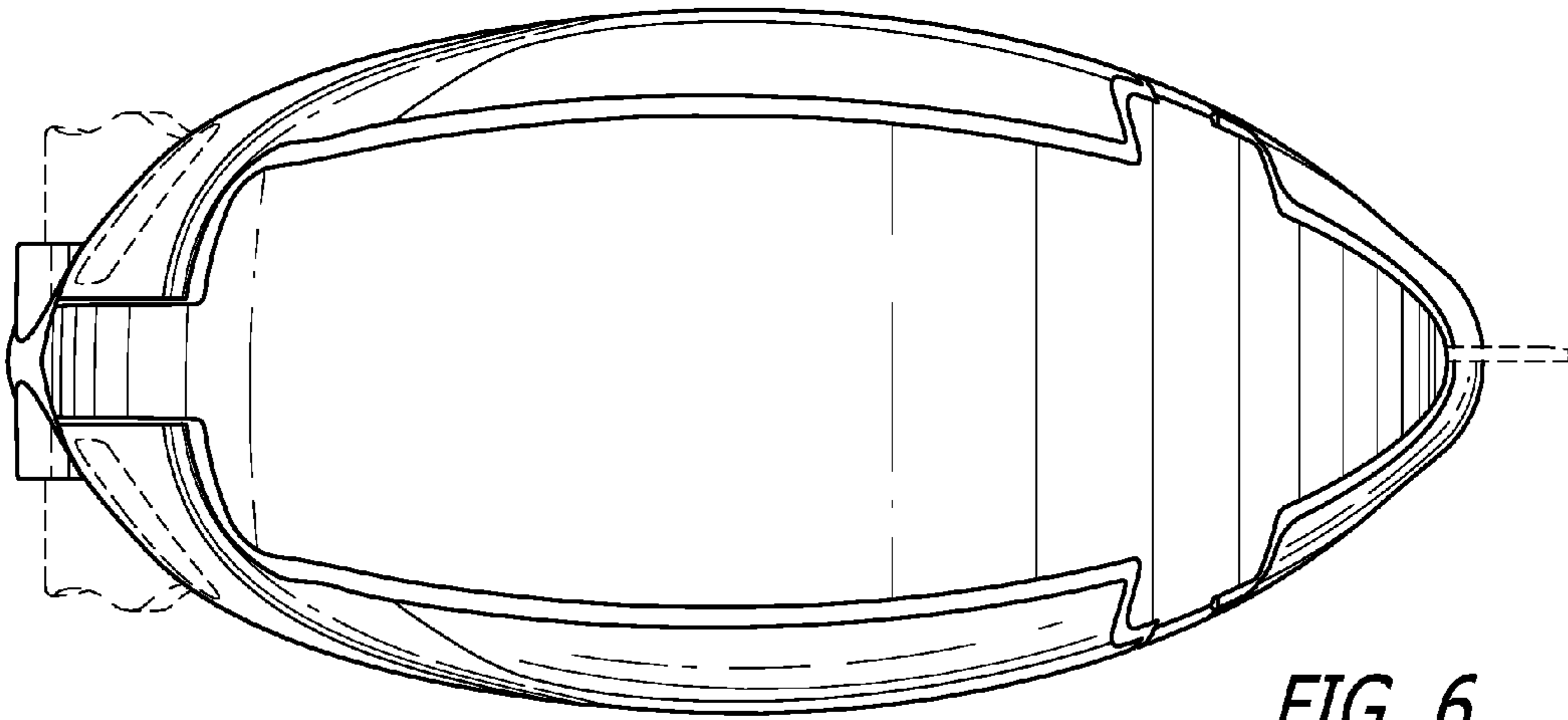


FIG. 6

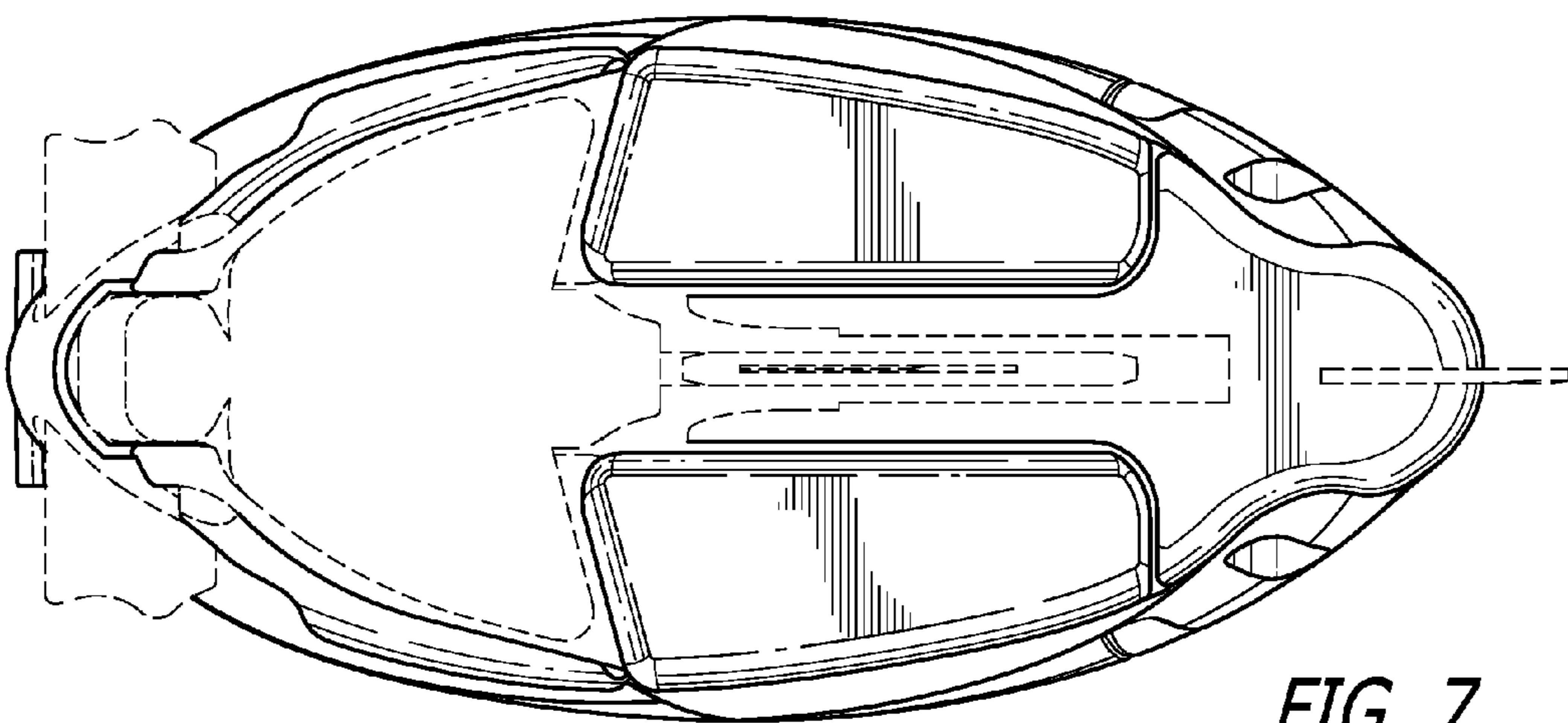


FIG. 7