



US00D769689S

(12) **United States Design Patent**
Squiers

(10) **Patent No.:** **US D769,689 S**
(45) **Date of Patent:** **** Oct. 25, 2016**

(54) **FASTENER DRIVER**
(71) Applicant: **Milwaukee Electric Tool Corporation,**
Brookfield, WI (US)

6,370,988 B1 4/2002 Thompson et al.
6,575,062 B2 6/2003 Hahn
D503,080 S * 3/2005 Chen D8/82
7,080,582 B2 7/2006 Karle

(Continued)

(72) Inventor: **Grant T. Squiers,** Cudahy, WI (US)

FOREIGN PATENT DOCUMENTS

(73) Assignee: **MILWAUKEE ELECTRIC TOOL CORPORATION,** Brookfield, WI (US)

EP 1028831 8/2000
EP 1512494 3/2005

(**) Term: **14 Years**

(Continued)

(21) Appl. No.: **29/514,737**

OTHER PUBLICATIONS

(22) Filed: **Jan. 15, 2015**

TORX Precision Screwdriver Set. Snagged Jun. 21, 2016 from
<https://www.milwaukeetool.com/hand-tools/screwdrivers/48-22-2610>.*

(51) **LOC (10) Cl.** **08-04**

(52) **U.S. Cl.**
USPC **D8/83**

(58) **Field of Classification Search**
USPC D8/21, 24–26, 29, 61, 82–87, 107;
81/52, 53.1, 58.3, 177.1–177.4,
81/438–439, 467, 480, 489–491
CPC B25B 13/56; B25B 15/00; B25B 15/007;
B25B 15/02; B25B 23/106; B25B 23/12;
B25B 23/18; B25F 1/04; B25G 1/085;
D06F 53/005; D06F 57/00
See application file for complete search history.

Primary Examiner — Philip S Hyder
Assistant Examiner — Roselyne Cody
(74) *Attorney, Agent, or Firm* — Michael Best &
Friedrich LLP

(57) **CLAIM**
I claim the ornamental design for a fastener driver, as shown
and described.

DESCRIPTION

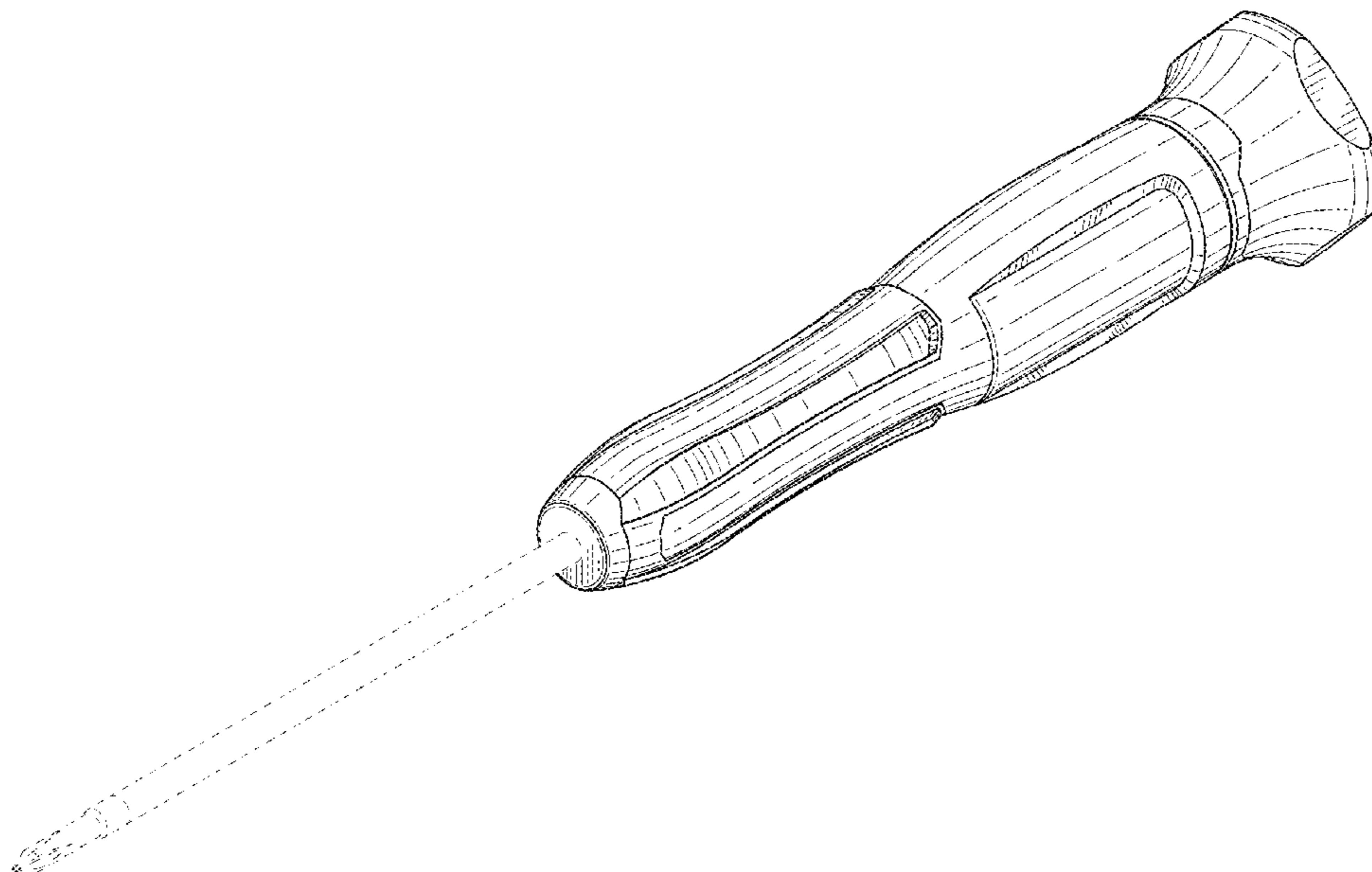
(56) **References Cited**

U.S. PATENT DOCUMENTS

4,924,733 A 5/1990 McKenzie
5,341,707 A 8/1994 Bond
5,421,224 A 6/1995 Bond
5,535,658 A 7/1996 Kalosdian
D376,528 S * 12/1996 Krapowicz D8/82
5,595,294 A 1/1997 McKenzie et al.
D379,750 S * 6/1997 Thompson D8/83
D413,782 S * 9/1999 Krapowicz D8/82
6,047,802 A 4/2000 Huang

FIG. 1 is a perspective view of a handle for a fastener driver according to an embodiment of the invention. FIG. 2 is a first side view of the handle shown in FIG. 1. FIG. 3 is a second side view of the handle shown in FIG. 1. FIG. 4 is a third side view of the handle shown in FIG. 1. FIG. 5 is a fourth side view of the handle shown in FIG. 1. FIG. 6 is a first end view of the handle shown in FIG. 1; and, FIG. 7 is a second end view of the handle shown in FIG. 1. The element shown in broken lines illustrates a portion of the fastener driver that forms no part of the claim.

1 Claim, 4 Drawing Sheets



(56)

References Cited

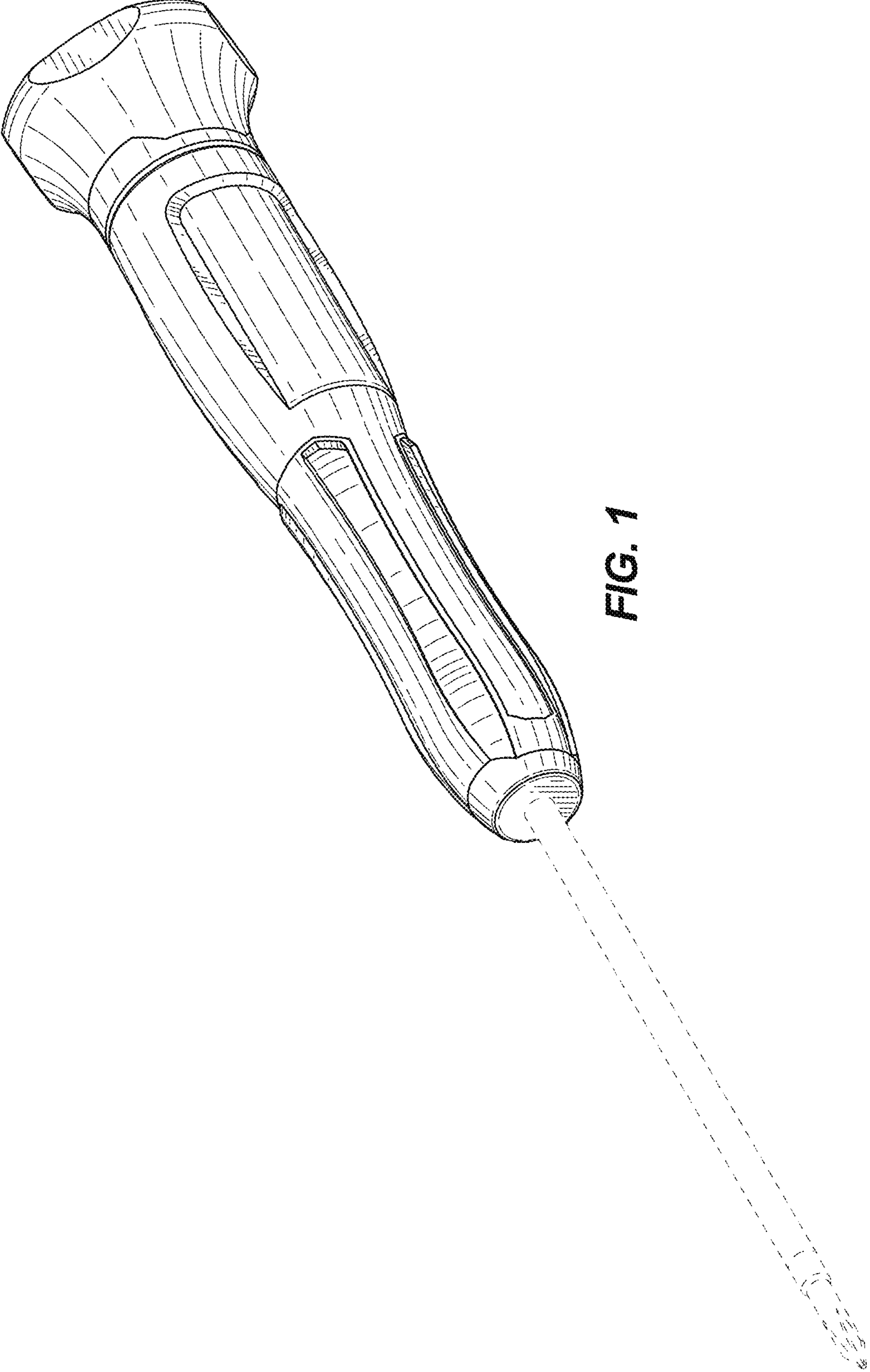
FOREIGN PATENT DOCUMENTS

U.S. PATENT DOCUMENTS

D596,473 S 7/2009 McKenzie
D616,278 S * 5/2010 Deguglimo D8/82
D684,836 S 6/2013 Wong
D698,218 S * 1/2014 Gomez D8/87
D700,496 S * 3/2014 Hsiao D8/82
D727,130 S * 4/2015 Robinson D8/83
D755,032 S * 5/2016 Martinez D8/61
2008/0276770 A1 11/2008 Blum et al.

EP 2221147 8/2010
EP 2511048 10/2012
TW D111806 7/2006
TW D121564 3/2008
TW D129300 6/2009
WO 97/02927 1/1997
WO 2009/010170 1/2009
WO 2009/015871 2/2009

* cited by examiner



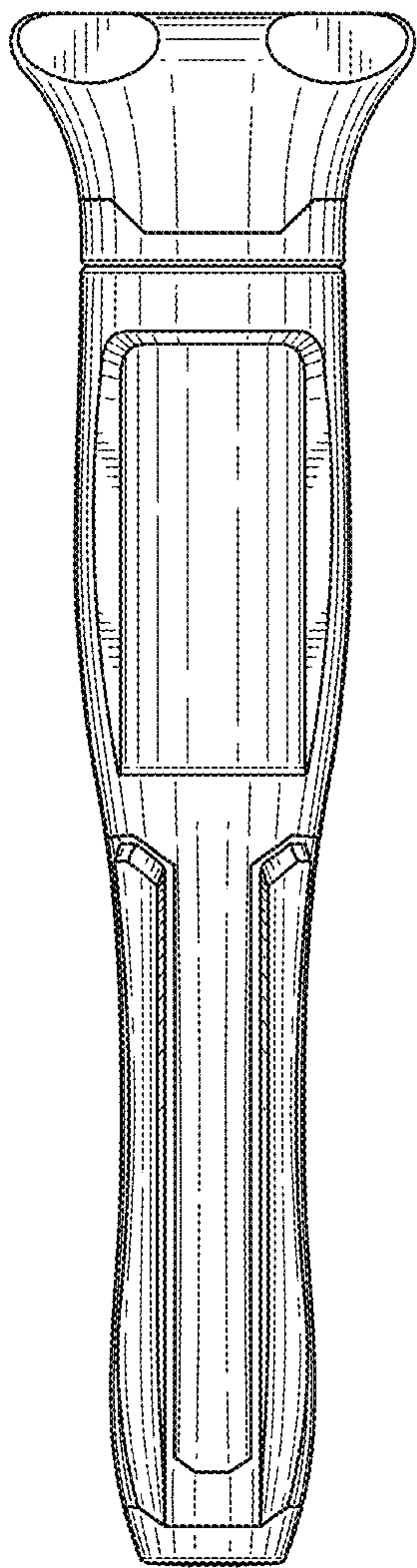


FIG. 2

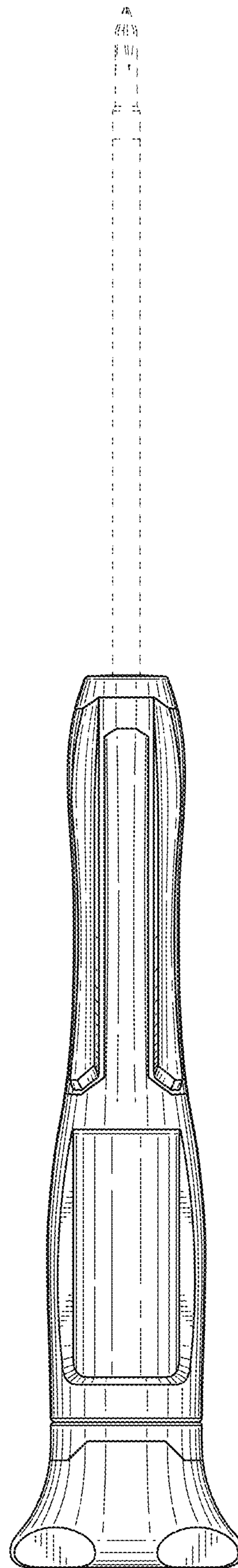


FIG. 3

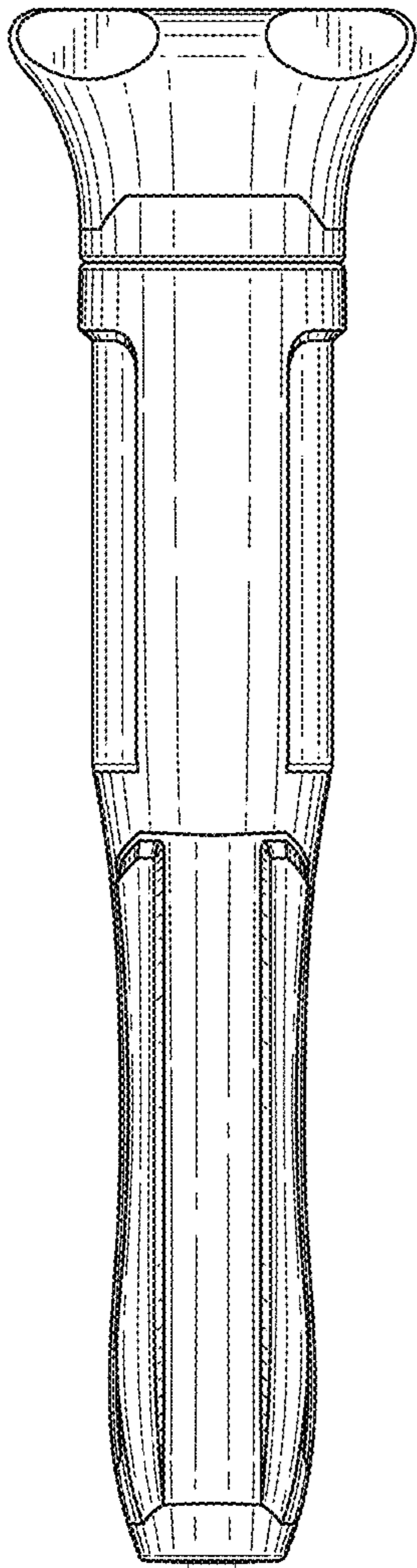


FIG. 4

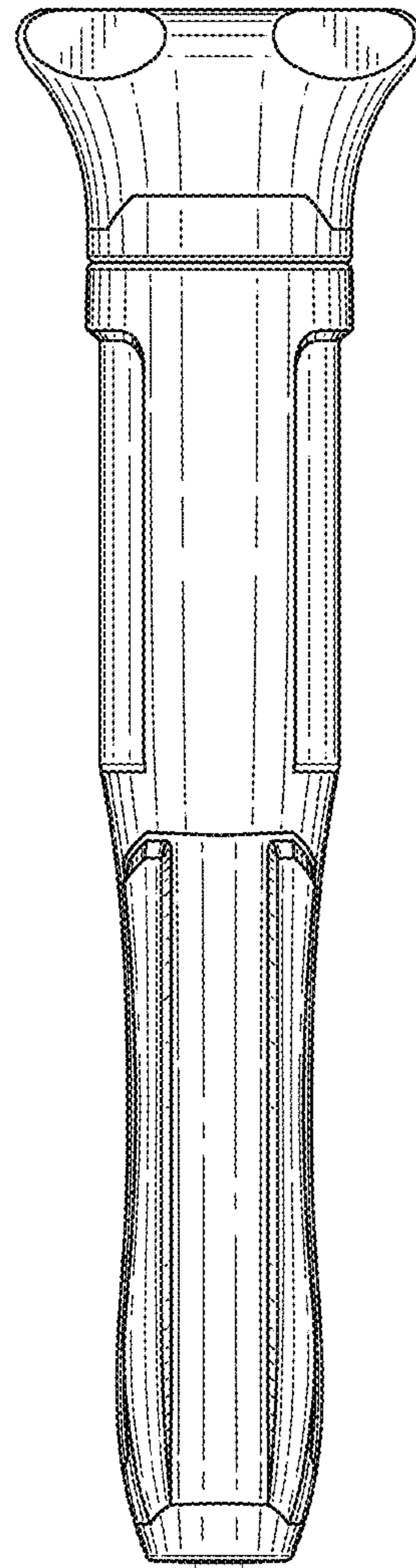


FIG. 5

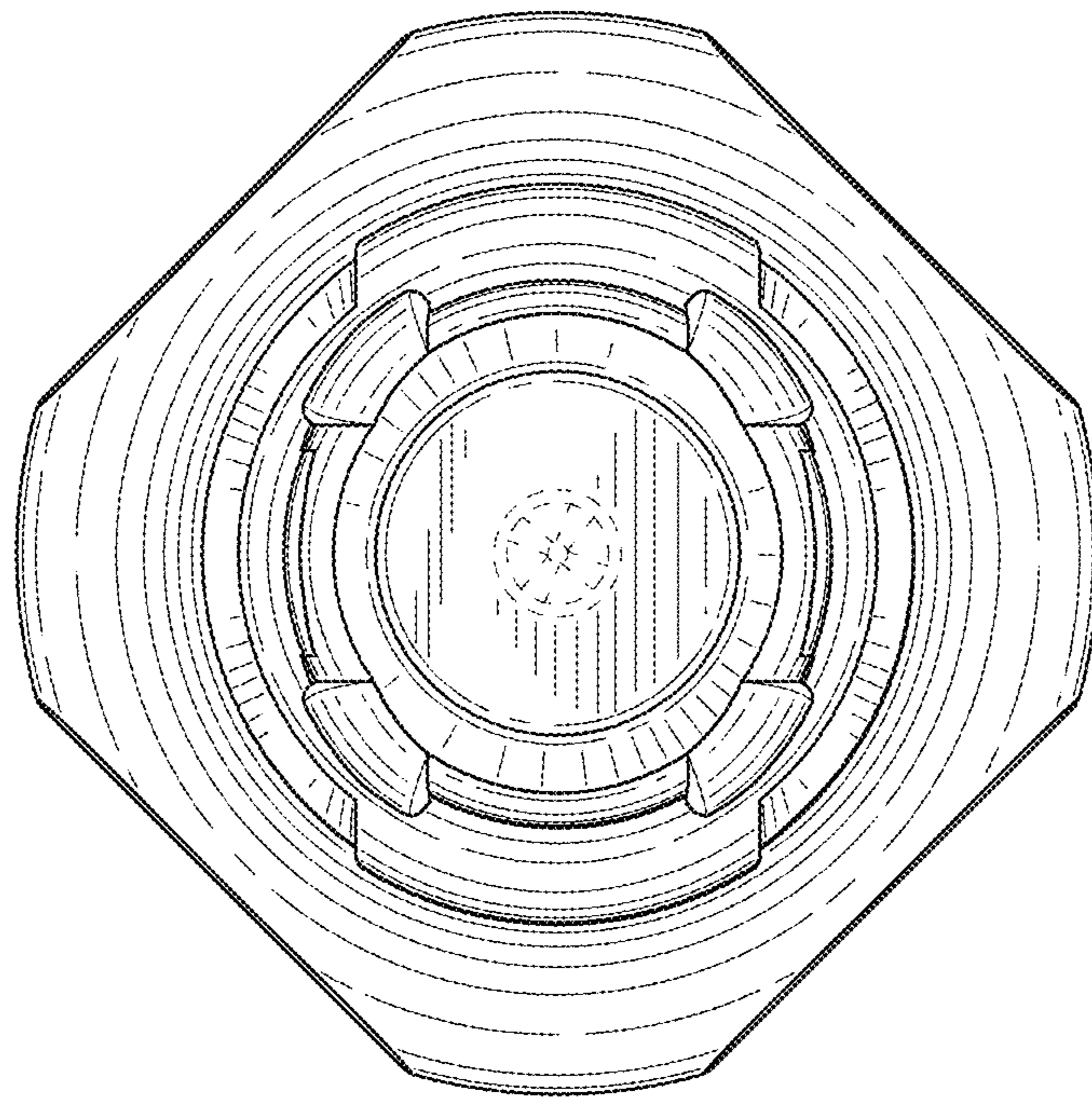


FIG. 6

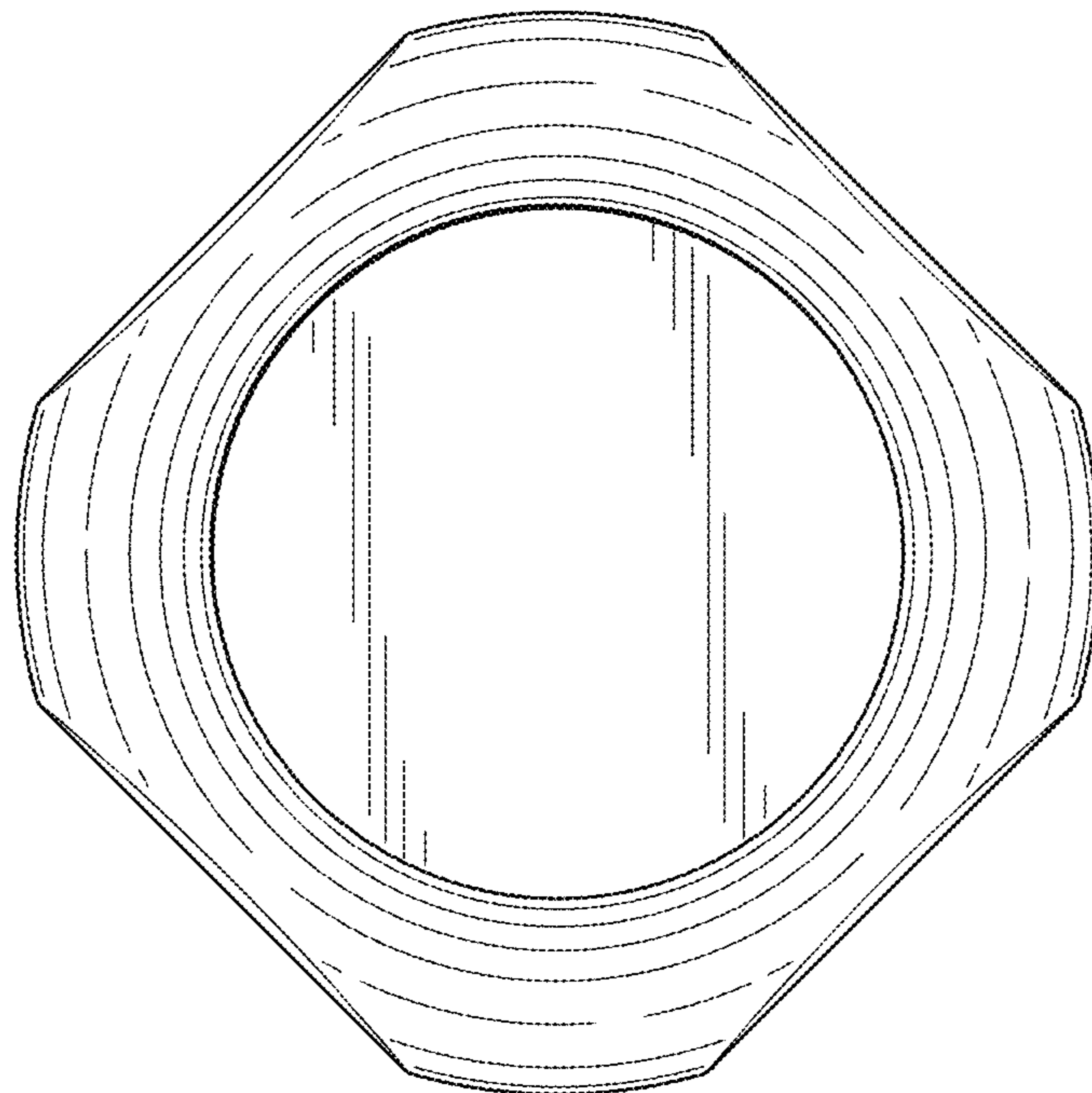


FIG. 7