



US00D769687S

(12) **United States Design Patent**  
**Balma**

(10) **Patent No.:** **US D769,687 S**

(45) **Date of Patent:** **\*\* Oct. 25, 2016**

(54) **AIR COMPRESSOR**

(71) Applicant: **Fini Nuair S.p.A.**, Robassomero (IT)

(72) Inventor: **Roberto Balma**, Robassomero (IT)

(73) Assignee: **Fini Nuair S.p.A.**, Robassomero (IT)

(\*\*) Term: **14 Years**

(21) Appl. No.: **29/524,205**

(22) Filed: **Apr. 17, 2015**

(51) **LOC (10) Cl.** ..... **08-01**

(52) **U.S. Cl.**  
USPC ..... **D8/62**

(58) **Field of Classification Search**

USPC ..... D8/61, 62; D23/231, 232, 225;  
D14/102; 417/60, 235, 265, 321, 355,  
417/358, 363, 359, 410.1, 415, 416, 405,  
417/900; D15/7-9

CPC ..... F04B 35/01; F04B 35/04; F04B 39/12  
See application file for complete search history.

(56) **References Cited**

**U.S. PATENT DOCUMENTS**

D492,563 S \* 7/2004 Wright ..... D8/62  
D509,721 S \* 9/2005 Park ..... D8/62

D529,926 S \* 10/2006 Krieger ..... D15/9  
D541,309 S \* 4/2007 Wang ..... D15/9  
D589,985 S \* 4/2009 Steinfels ..... D15/9  
D592,025 S \* 5/2009 Snowball ..... D8/62  
D598,261 S \* 8/2009 Waldron ..... D8/62  
D620,775 S \* 8/2010 Stratford ..... D8/62  
D637,879 S \* 5/2011 Kawase ..... D8/62  
D667,467 S \* 9/2012 Kosugi ..... D15/9  
D683,604 S \* 6/2013 Shi ..... D8/62  
D742,709 S \* 11/2015 Aglassinger ..... D8/62

\* cited by examiner

*Primary Examiner* — Austin Murphy

(74) *Attorney, Agent, or Firm* — Workman Nydegger

(57) **CLAIM**

I claim the ornamental design for an air compressor, as shown and described.

**DESCRIPTION**

FIG. 1 is a top, rear, right perspective view of my new design for an air compressor;

FIG. 2 is a top, front, left perspective view thereof;

FIG. 3 is an elevated front view thereof;

FIG. 4 is an elevated right view thereof;

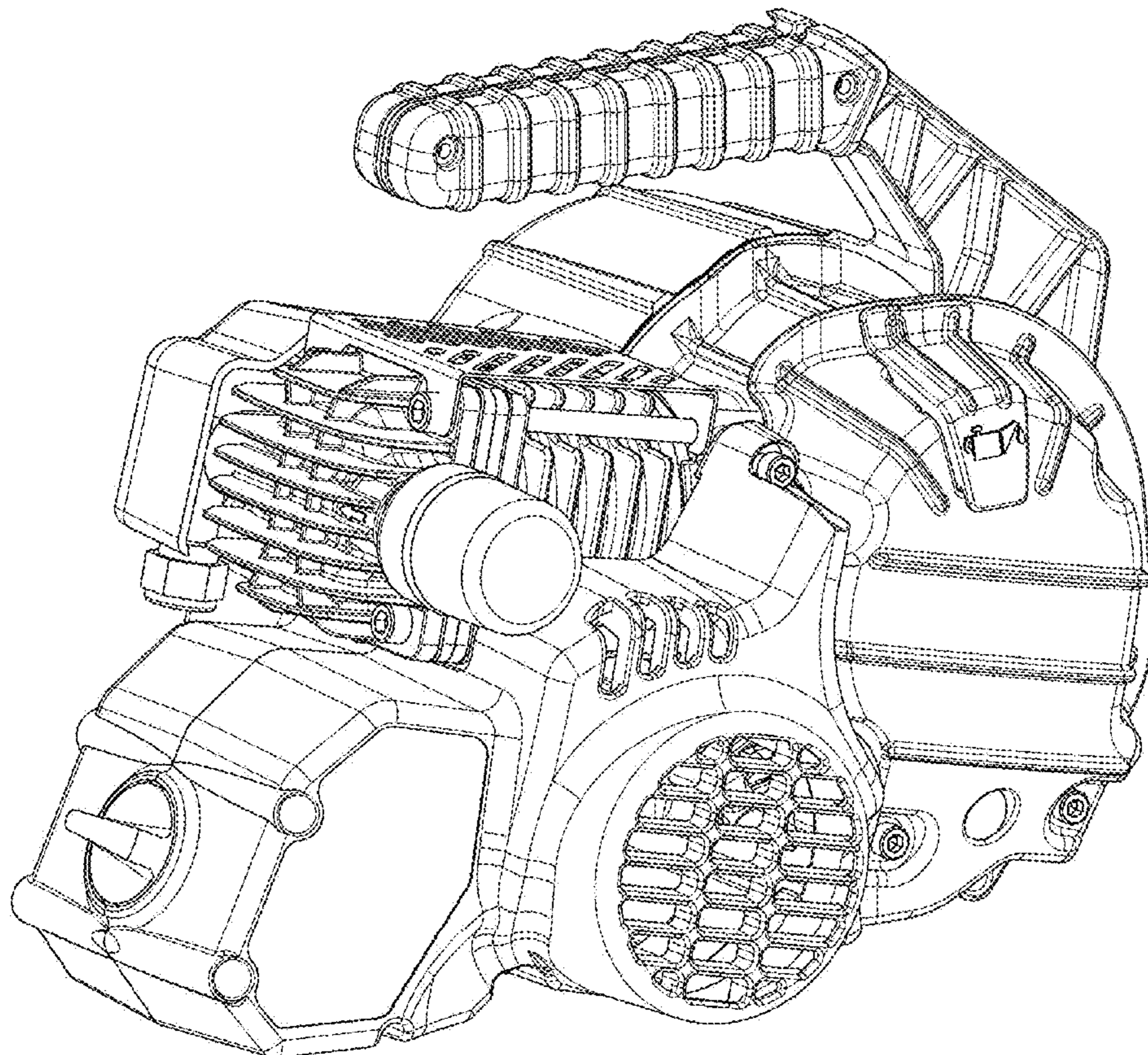
FIG. 5 is an elevated left view thereof;

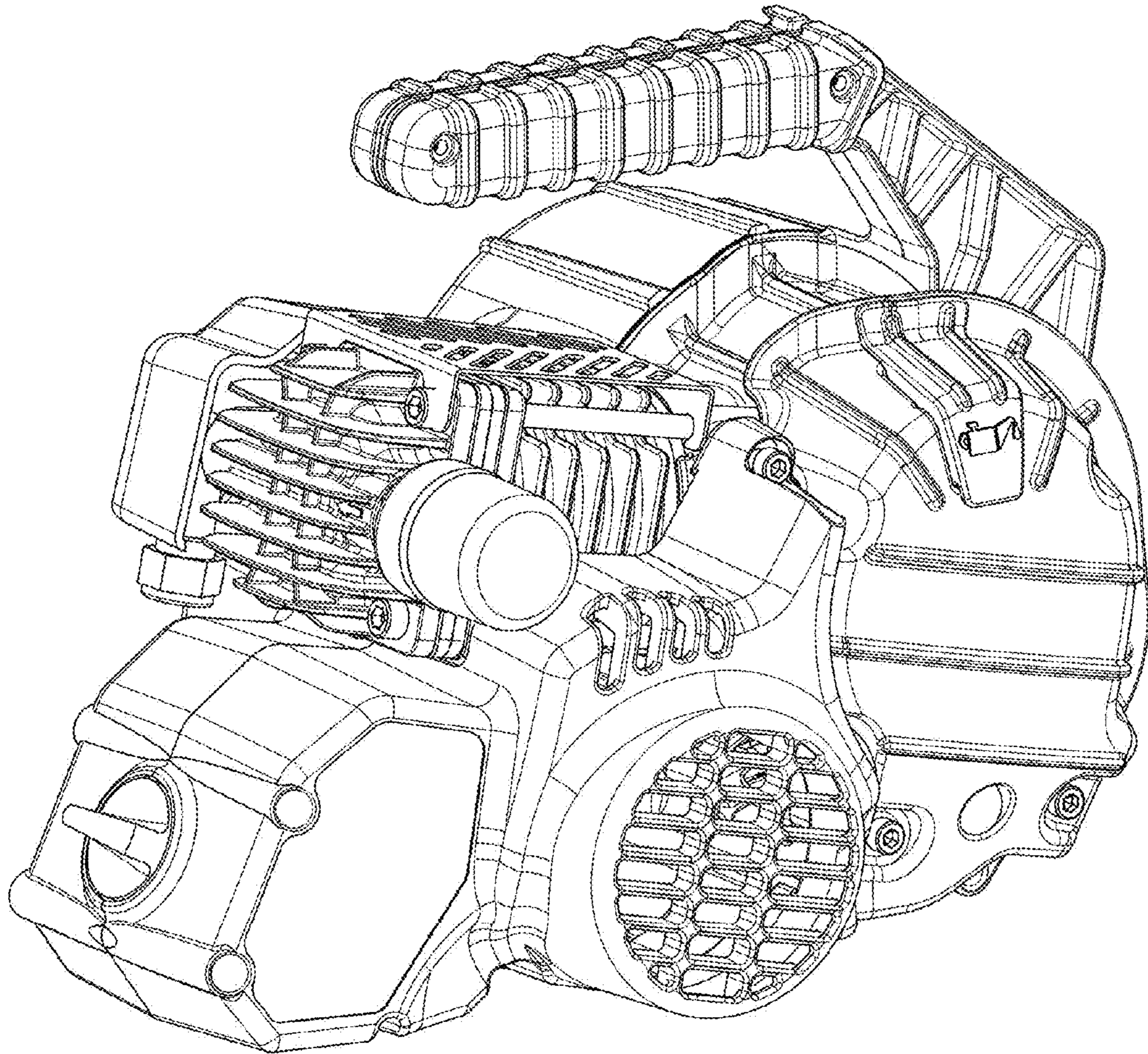
FIG. 6 is an elevated rear view thereof;

FIG. 7 is a top plan view thereof; and

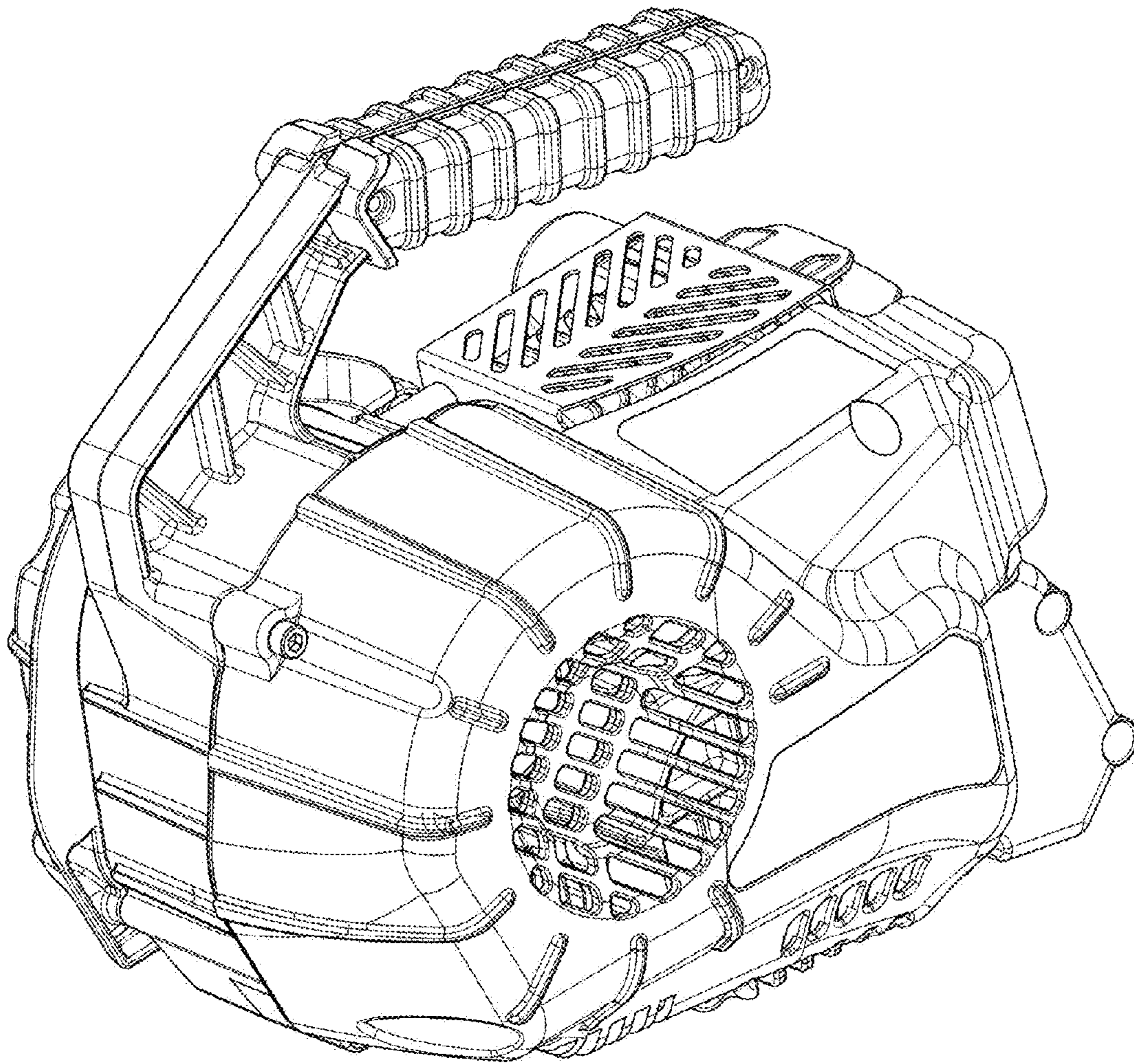
FIG. 8 is a bottom plan view thereof.

**1 Claim, 8 Drawing Sheets**





**Fig. 1**



**Fig. 2**

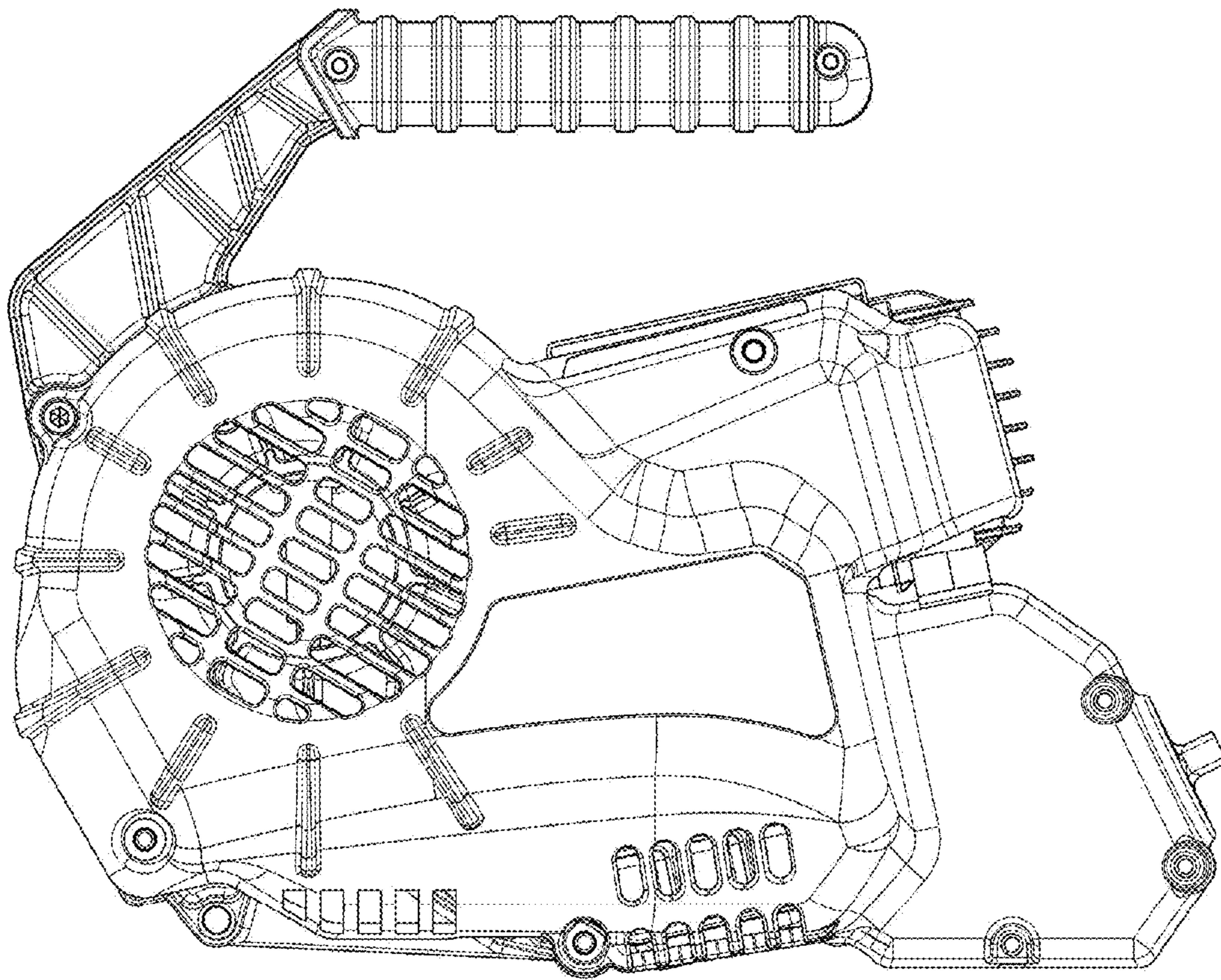
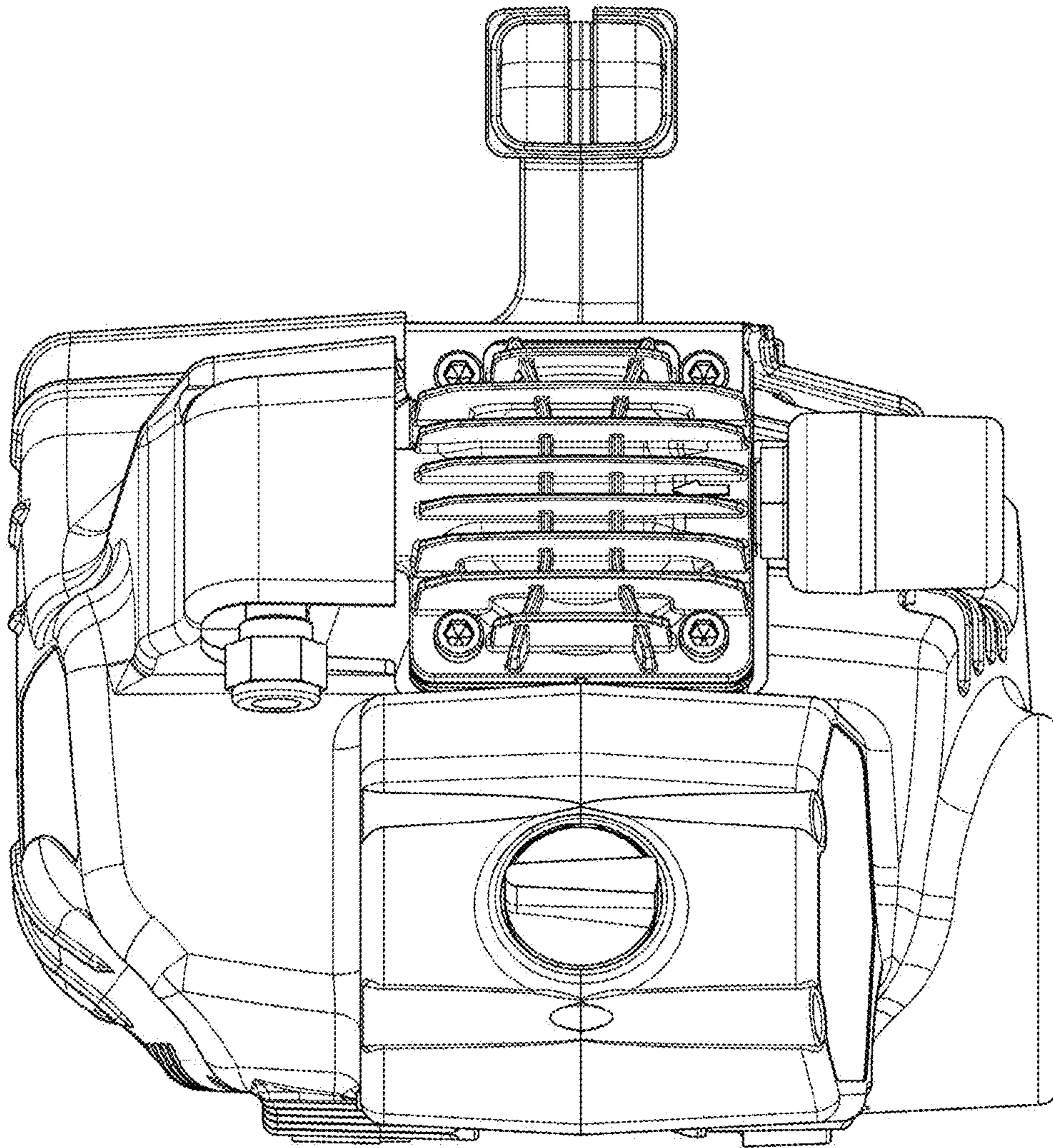
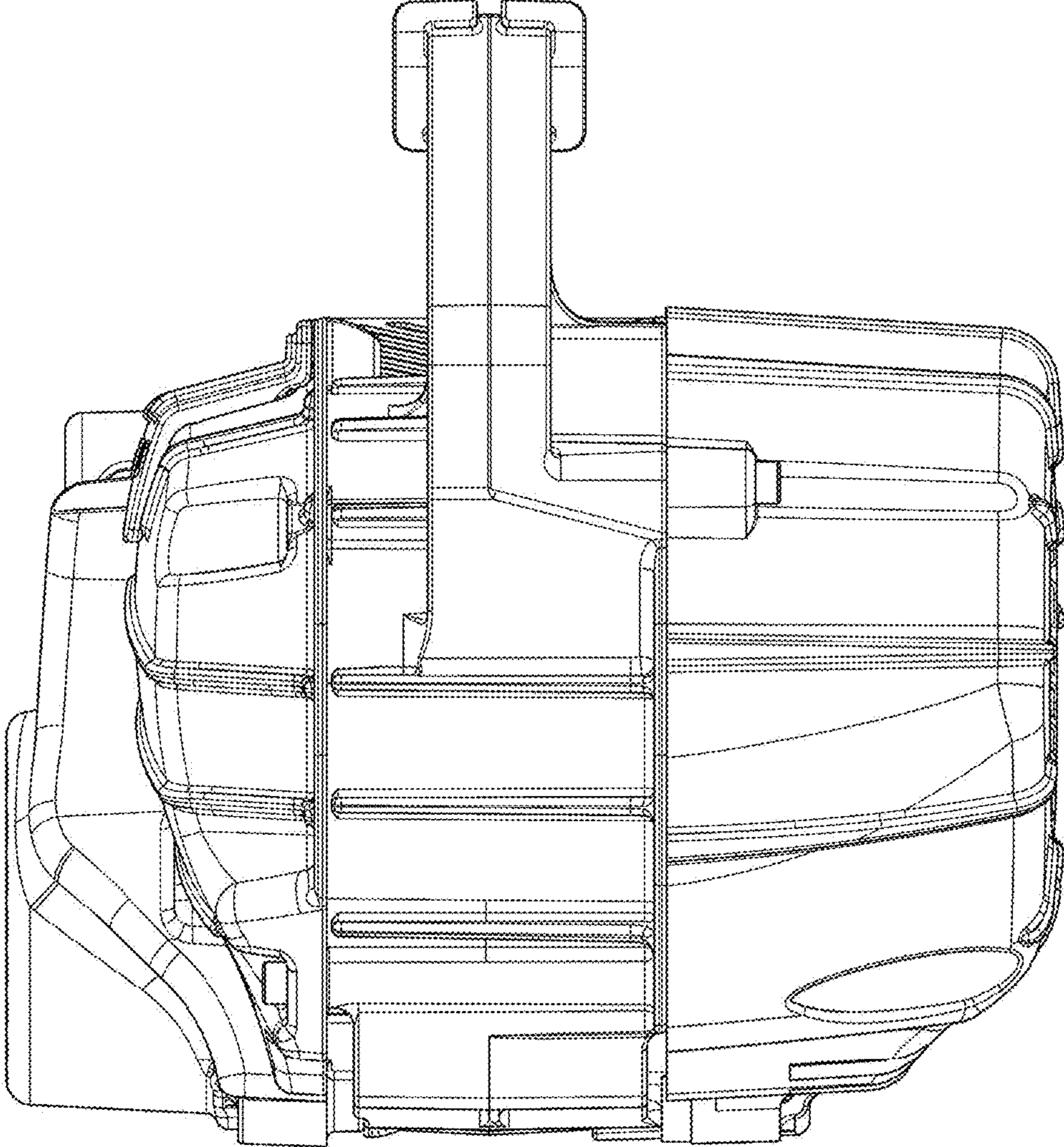


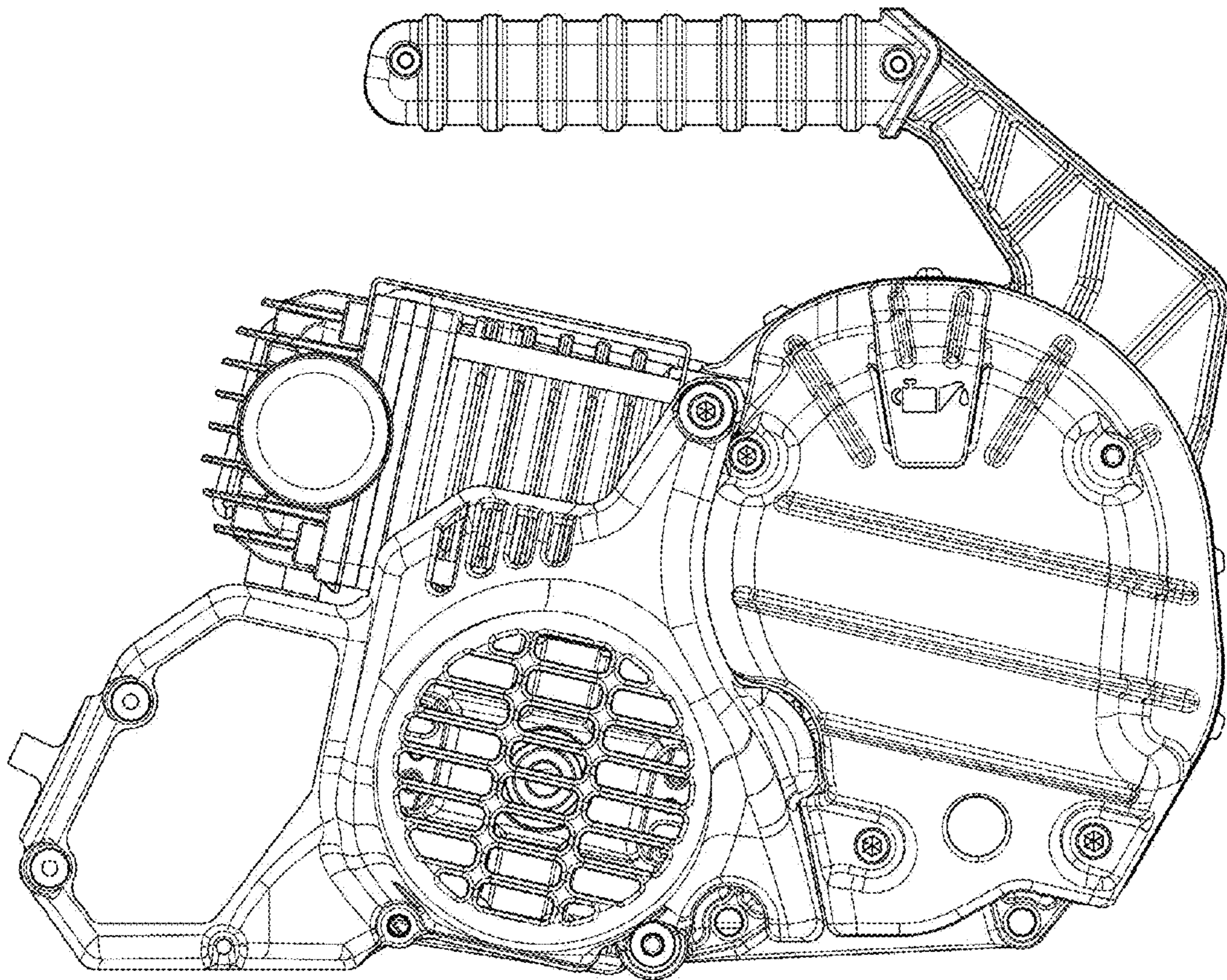
Fig. 3



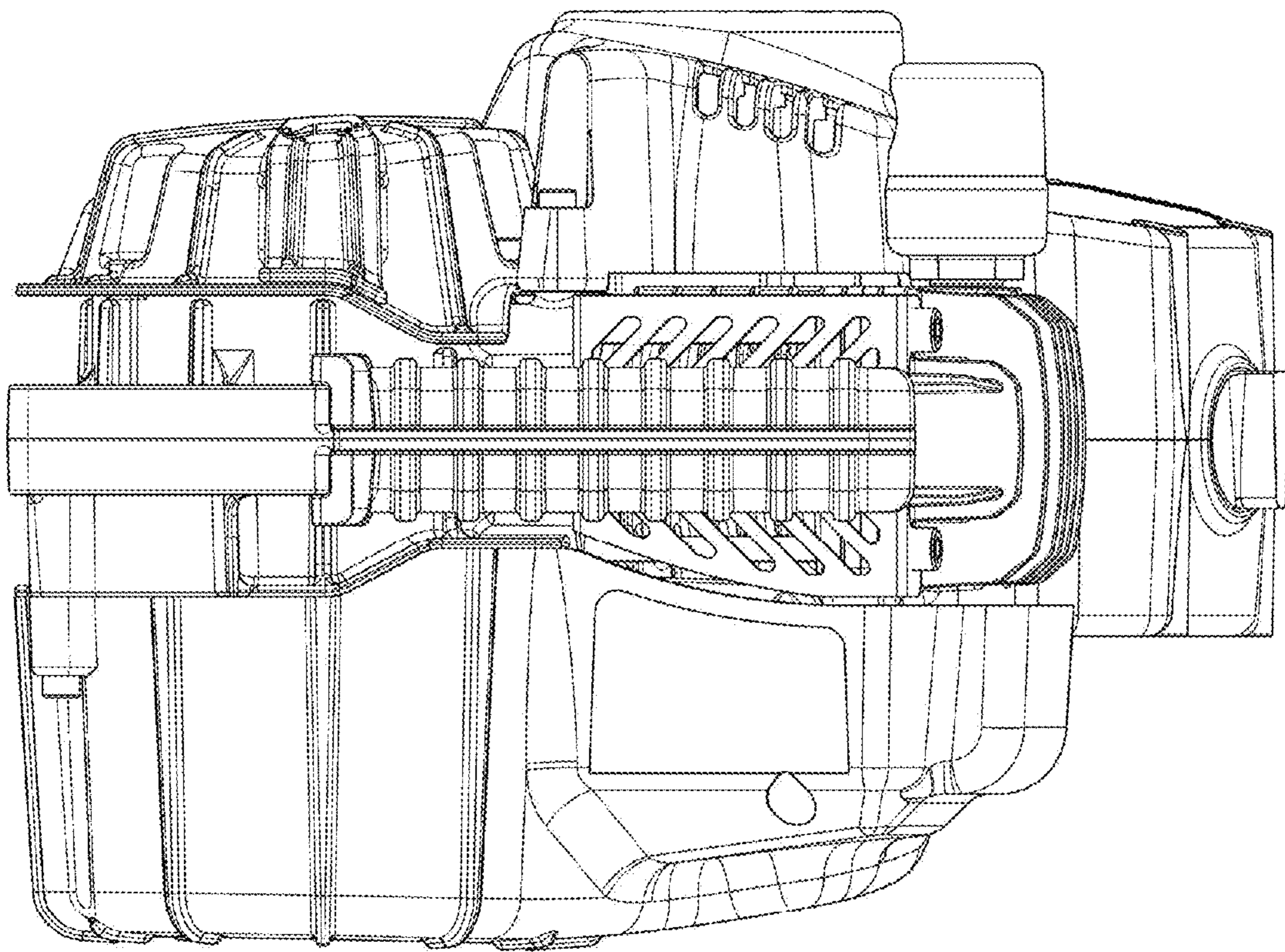
**Fig. 4**



**Fig. 5**

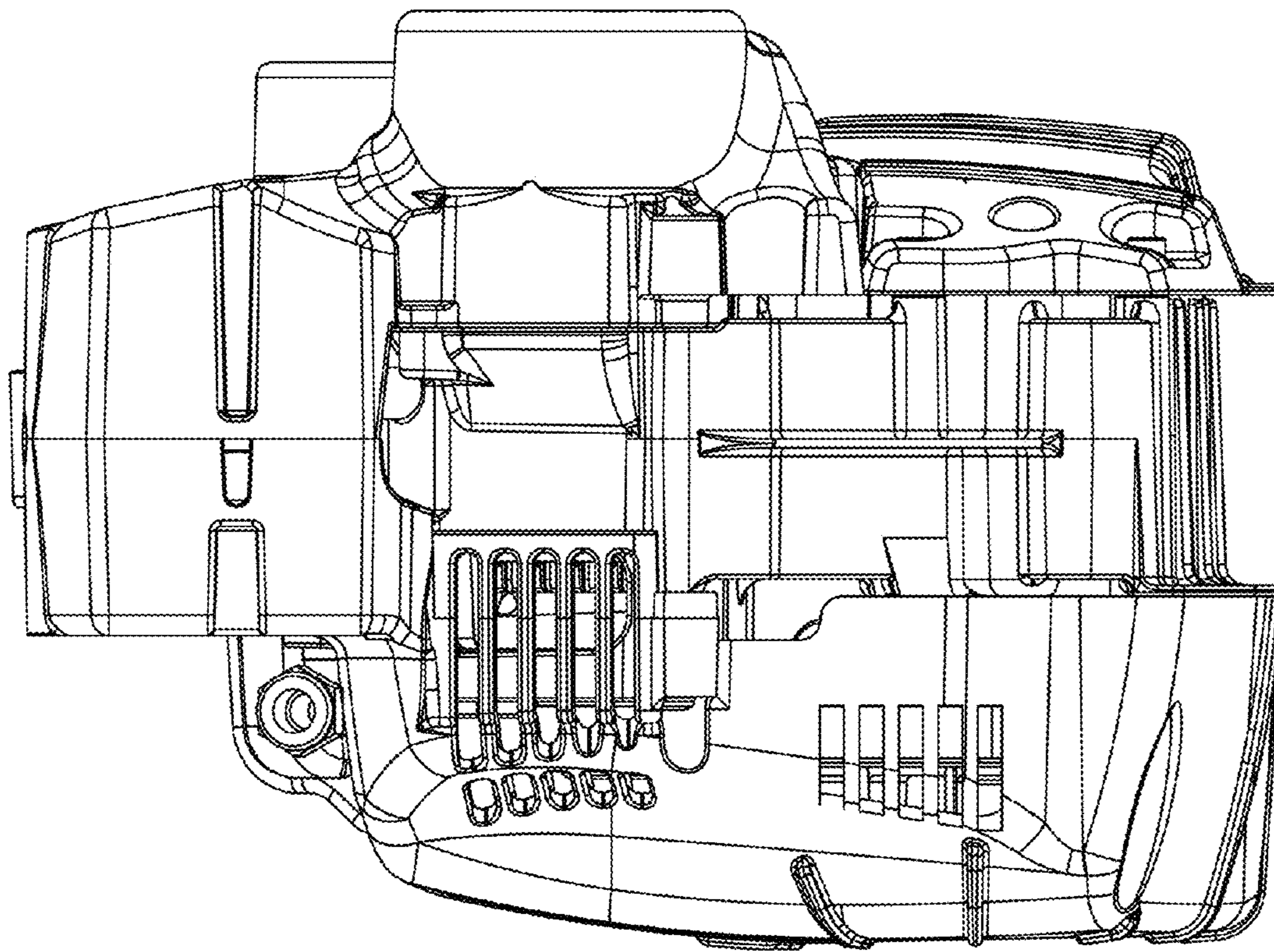


*Fig. 6*



*Fig. 7*





*Fig. 8*