



US00D769683S

(12) **United States Design Patent** (10) **Patent No.:** **US D769,683 S**
Stein et al. (45) **Date of Patent:** **** Oct. 25, 2016**

(54) **LEAF RAKE** 4,667,458 A 5/1987 Barrett
D293,196 S * 12/1987 Germain D8/13
(71) Applicant: **The Ames Companies, Inc.**, Camp 4,744,208 A 5/1988 King
Hill, PA (US) 4,831,815 A * 5/1989 Bonnes A01D 7/06
56/400.17
(72) Inventors: **Robert James Stein**, Mechanicsburg, 5,012,872 A 5/1991 Cohn
PA (US); **Aaron Daniel Abbott**, 5,099,638 A 3/1992 Bass
Harrisburg, PA (US) (Continued)

(73) Assignee: **The Ames Companies, Inc.**, Camp Hill, PA (US)
(**) Term: **14 Years**

(21) Appl. No.: **29/496,890**
(22) Filed: **Jul. 18, 2014**
(51) **LOC (10) Cl.** **08-01**
(52) **U.S. Cl.**
USPC **D8/13**
(58) **Field of Classification Search**
USPC D8/1, 13, 10
CPC A01D 7/00; A01D 7/01; A01D 7/06;
A01D 7/04; A01D 7/08; A01G 1/12
See application file for complete search history.

(56) **References Cited**

U.S. PATENT DOCUMENTS

531,722 A 1/1895 Hart
1,577,065 A 3/1926 Fuller
1,735,237 A 11/1929 Dennis
1,925,357 A 9/1933 Withington
2,707,366 A 5/1955 Gartner
2,883,820 A 4/1959 Bissell
3,332,223 A 7/1967 Polisso
3,999,244 A 12/1976 Brickley
4,037,397 A 7/1977 Fiorentino
4,150,528 A 4/1979 Rendin
4,215,528 A * 8/1980 Fodor A01D 7/08
294/51
4,351,145 A 9/1982 Farkas
4,545,189 A 10/1985 Nelson
4,644,740 A 2/1987 Lee

FOREIGN PATENT DOCUMENTS

DE 723566 8/1942
DE 29505599 5/1995

OTHER PUBLICATIONS

Rocky Mountain Llamas, #1012 The Super Rake, Gifts & Miscellaneous Essentials, <https://web.archive.org/web/20101128142348/http://rockymtllamas.com/products/1012.htm>, 1 page, May 13, 2014.

(Continued)

Primary Examiner — Sheryl Lane
(74) *Attorney, Agent, or Firm* — Brooks Kushman P.C.

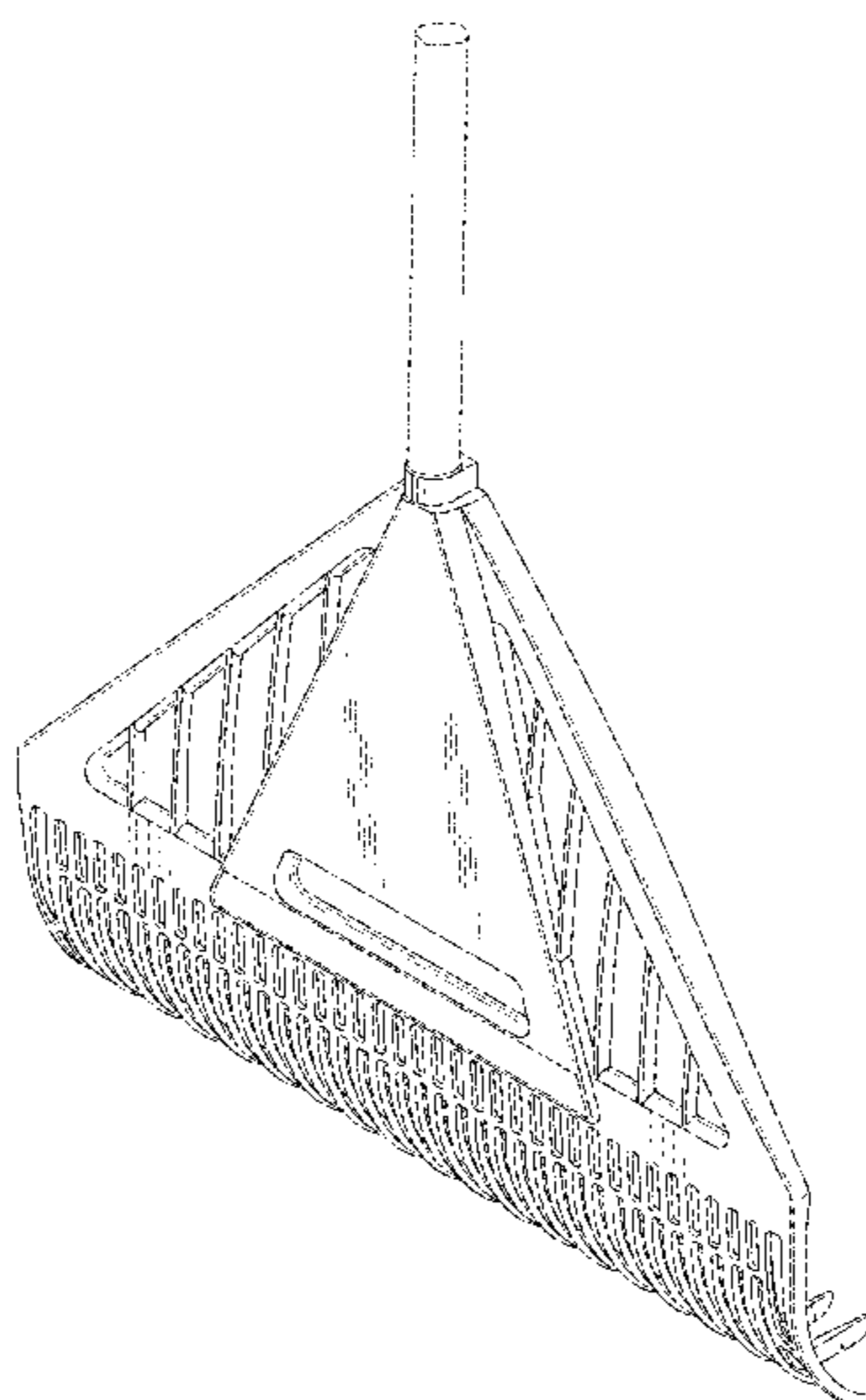
(57) **CLAIM**

The ornamental design for a leaf rake, as shown and described.

DESCRIPTION

FIG. 1 is an isometric view of the leaf rake;
FIG. 2 is a front view of the leaf rake;
FIG. 3 is a back view of the leaf rake;
FIG. 4 is a top view of the leaf rake;
FIG. 5 is a bottom view of the leaf rake;
FIG. 6 is a left view of the leaf rake;
FIG. 7 is a right view of the leaf rake; and,
FIG. 8 is another isometric view of the leaf rake.
The broken lines in the drawings depict environmental subject matter only and form no part of the claimed design.

1 Claim, 6 Drawing Sheets



(56)

References Cited

U.S. PATENT DOCUMENTS

5,161,360 A 11/1992 Hill
 5,177,946 A 1/1993 Dietz, Jr.
 5,249,413 A 10/1993 McDonough, Jr.
 D341,756 S 11/1993 Bass
 D361,245 S * 8/1995 Altergott D8/13
 5,511,370 A 4/1996 Patel
 5,522,209 A 6/1996 Petruzzelli
 RE35,604 E 9/1997 McDonough, Jr.
 D393,786 S * 4/1998 Hession D8/13
 5,924,816 A 7/1999 Schuele
 6,131,381 A 10/2000 Milbury
 6,370,857 B1 4/2002 Mitchell
 6,381,938 B1 5/2002 Kelly
 6,901,733 B2 6/2005 DeSanti
 6,983,584 B1 1/2006 Huang
 D514,902 S * 2/2006 Conaway D8/13
 D517,876 S * 3/2006 DeWinter D8/13
 7,131,255 B1 11/2006 Caneba
 D545,647 S * 7/2007 Fortier D8/13
 D554,958 S * 11/2007 Kelley D8/13
 D577,967 S * 10/2008 Norton D8/13
 D579,289 S * 10/2008 Norton D8/13
 D614,818 S * 4/2010 Moore D30/158
 D642,440 S * 8/2011 Boda D8/13
 D682,641 S * 5/2013 Hill D8/13
 D719,420 S * 12/2014 Masalin D8/13
 D739,105 S * 9/2015 Cyrus D32/35
 2003/0033793 A1 2/2003 Fairbanks

2004/0250524 A1 12/2004 DeSanti
 2007/0119141 A1 5/2007 Foss
 2007/0125058 A1 6/2007 Clifton
 2007/0157593 A1 7/2007 Belanger
 2010/0218476 A1 9/2010 Gosselin
 2015/0020493 A1* 1/2015 Stein A01D 7/06
 56/400.16

OTHER PUBLICATIONS

Sarah Collins, LexisNexis, The Wall Street Journal, Catalog Critic: Can Rakes Pick Up New Followers?, 4 pages, Sep. 27, 2002.
 Looking for a Special Lawn Rake Called Super Rake—Tool Shed Forum—Garden Web, <http://forums2.gardenweb.com/forums/load/tools/msg0421383222347.html?5>, 4 pages, May 14, 2014.
 Gardener's Supply Company, [http://web.archive.org/web/20020314194725/http://www.gardeners.com/department.asp?D . . .](http://web.archive.org/web/20020314194725/http://www.gardeners.com/department.asp?D...), 1 page, May 4, 2014, Burlington, VT.
 Gardener's Supply Company, Gardener's Supply: Innovative Gardening Solutions, Composters, Greenhouses, Garden C . . . , [http://web.archive.org/web/20020816211542/http://www.gardeners.com/department.asp?D . . .](http://web.archive.org/web/20020816211542/http://www.gardeners.com/department.asp?D...), 1 page, May 14, 2014.
 Sarah Collins, The Wall Street Journal, Garden Business Turns Rake Into a New Tool, <http://online.wsj.com/news/articles/SB1033075765700516673>, 4 pages, May 14, 2014.
 Caryn Eve Murray, The Potting Shed/The Rake's Progress—Newsday, [http://www.newsday.com/lifestyle/home-and-garden/the-potting-shed-the-rake-s-progress . . .](http://www.newsday.com/lifestyle/home-and-garden/the-potting-shed-the-rake-s-progress...), 3 pages, May 14, 2014.

* cited by examiner

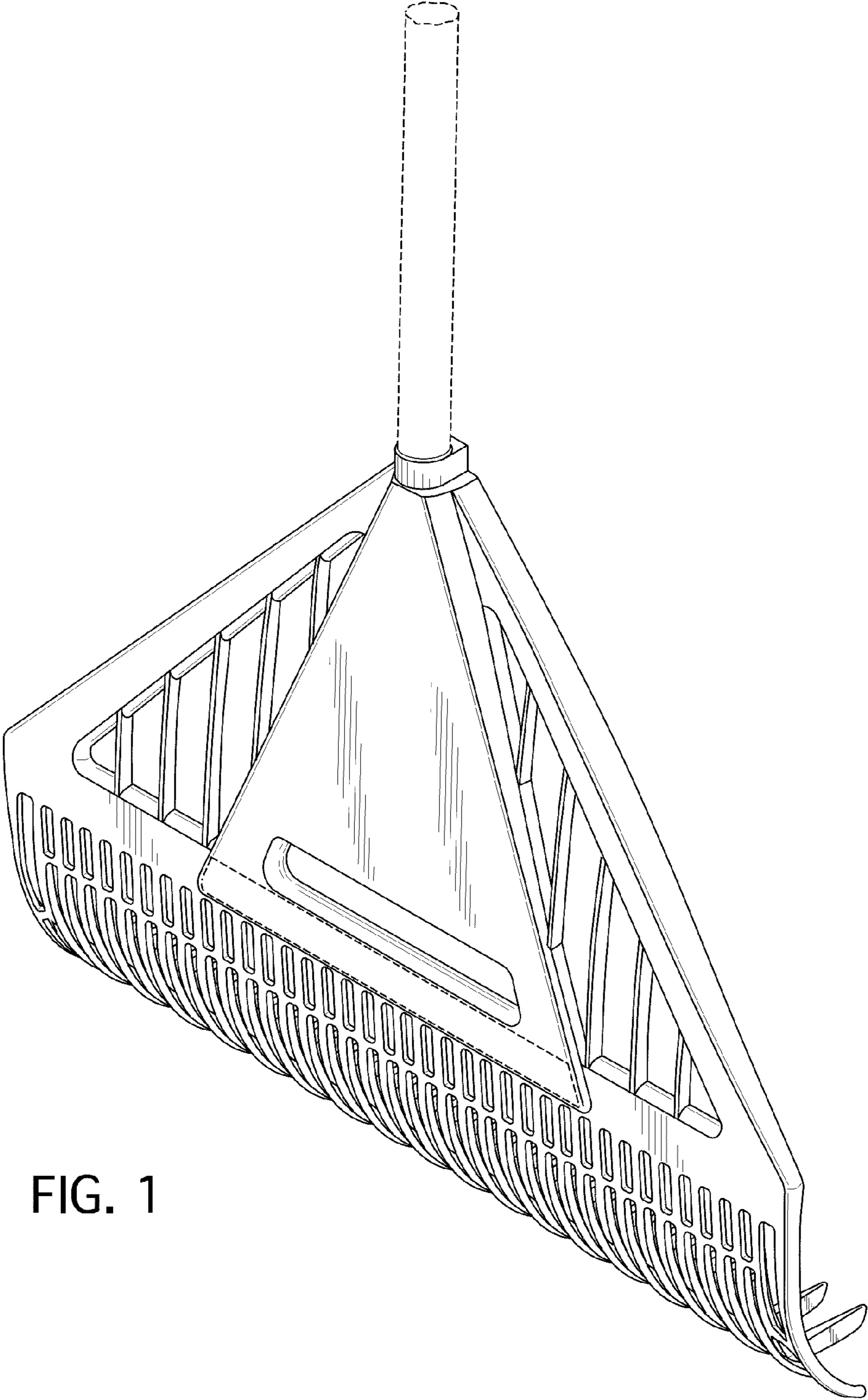


FIG. 1

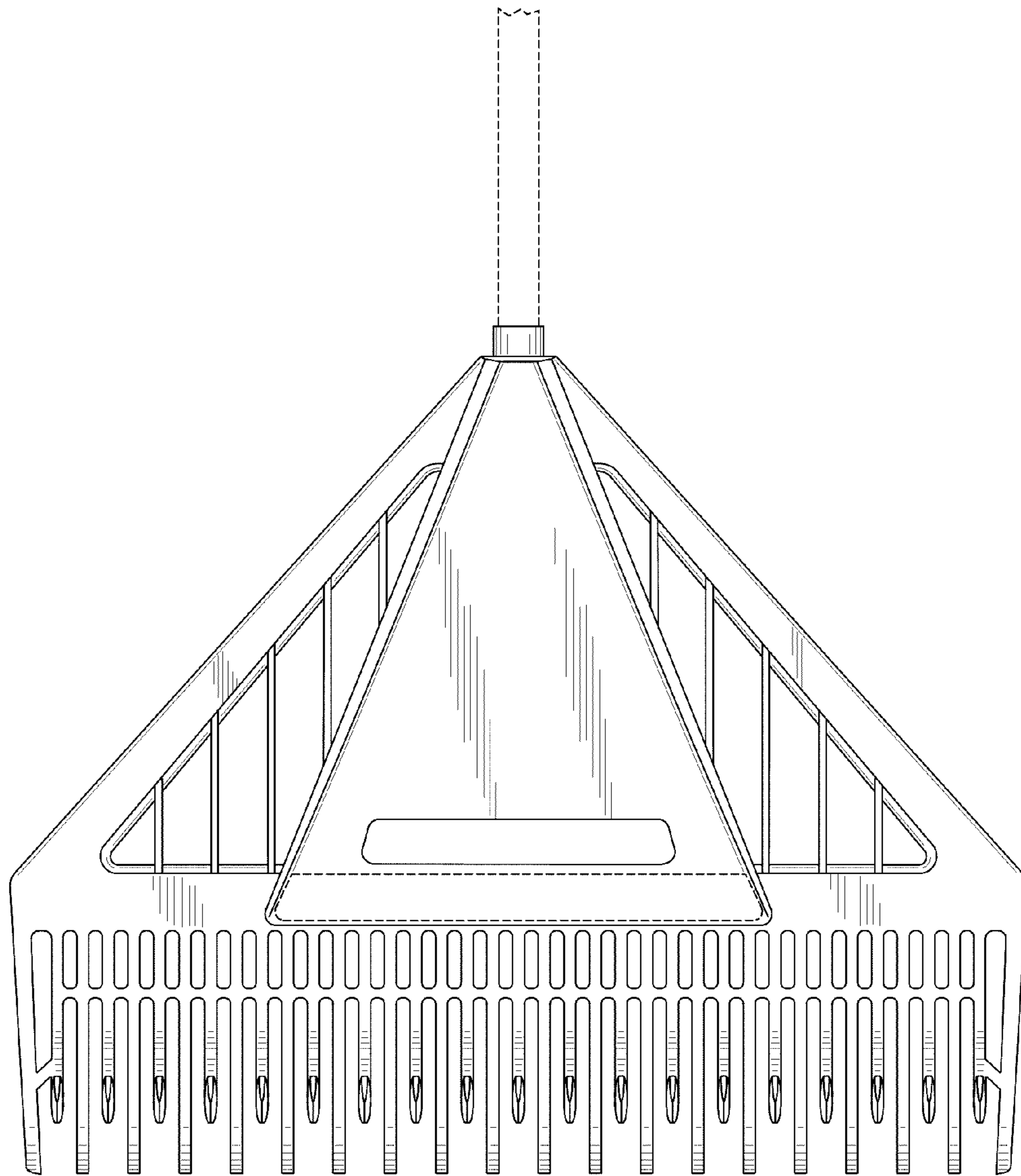


FIG. 2

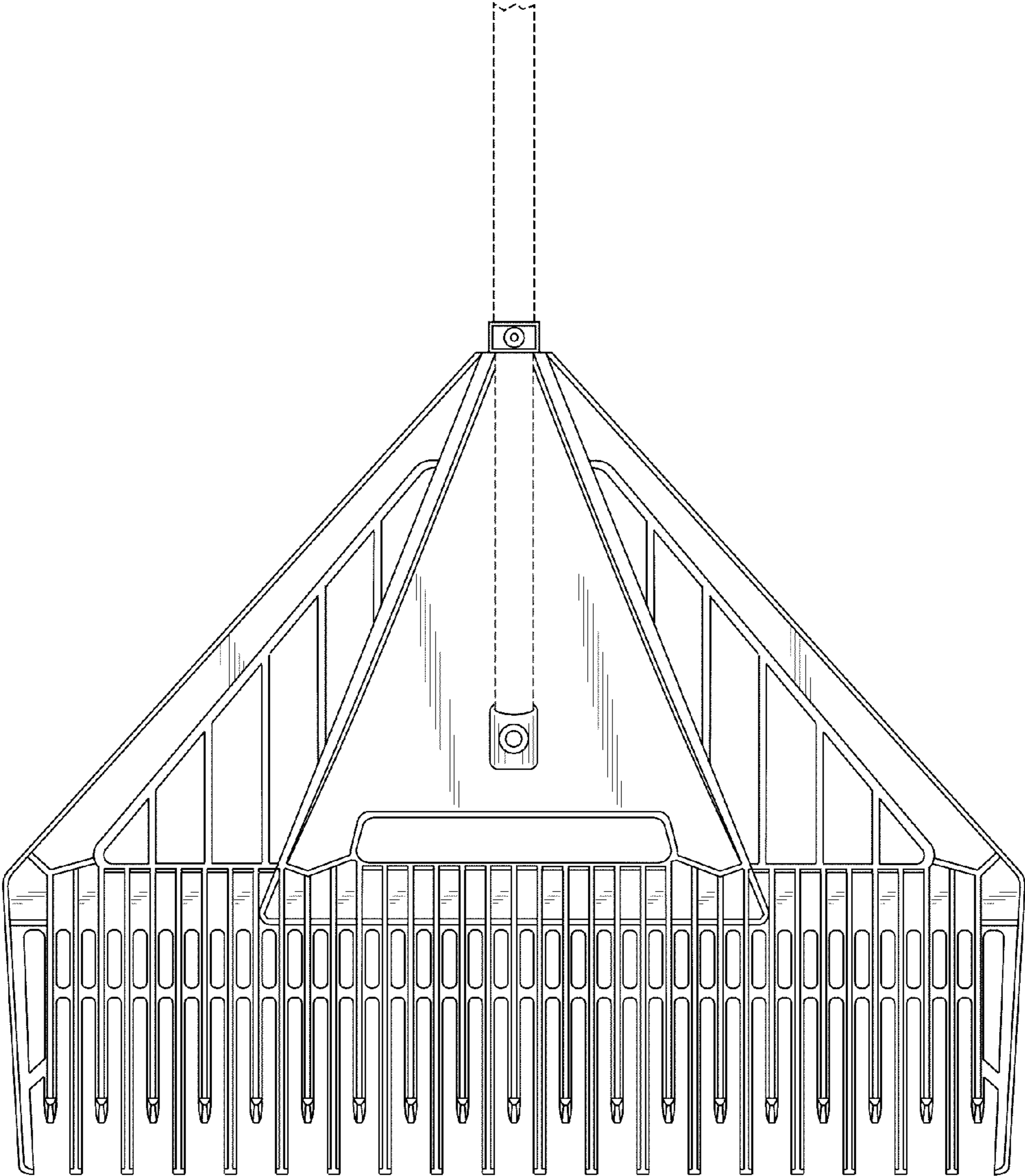


FIG. 3

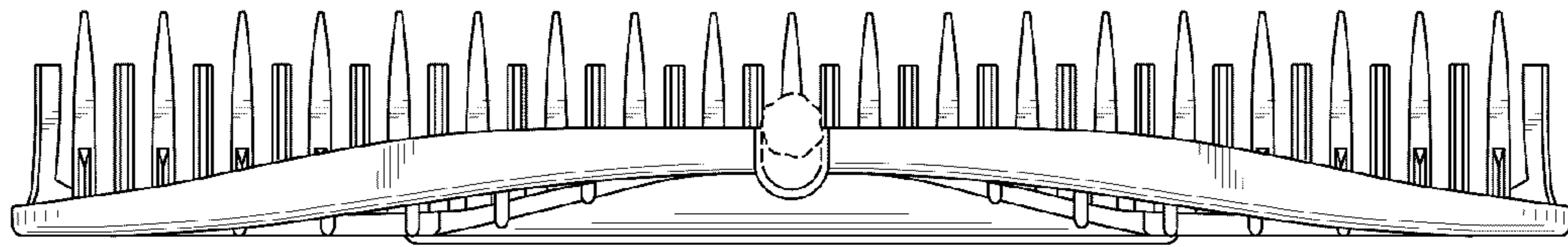


FIG. 4

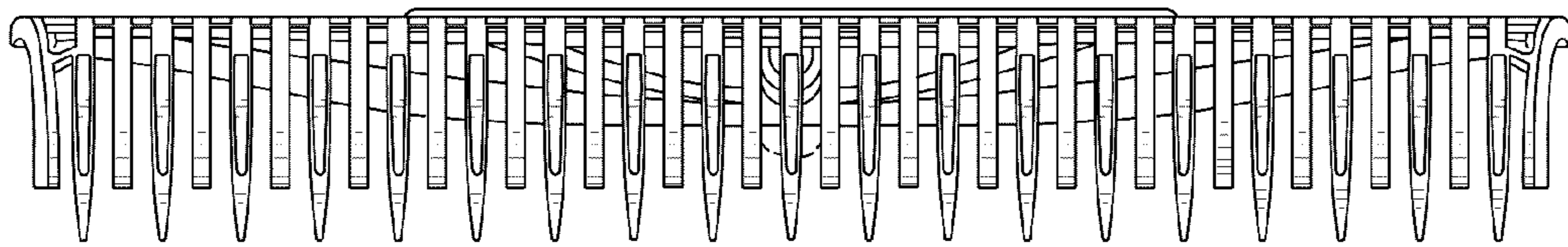


FIG. 5

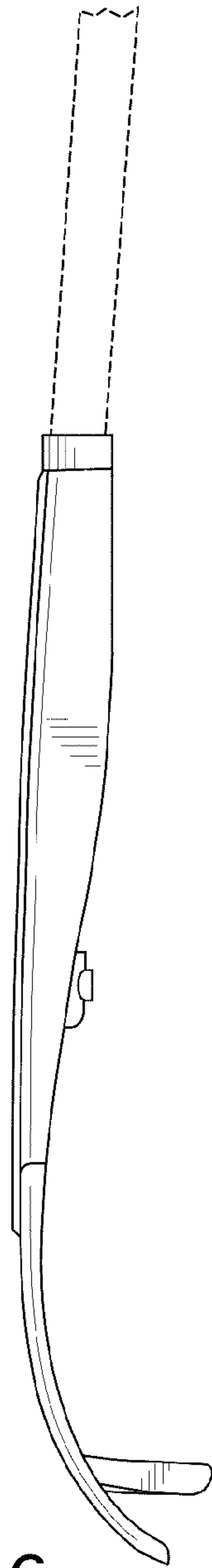


FIG. 6

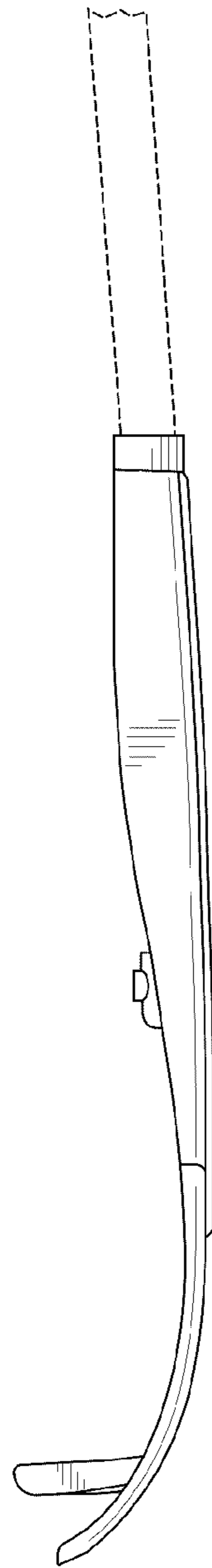


FIG. 7

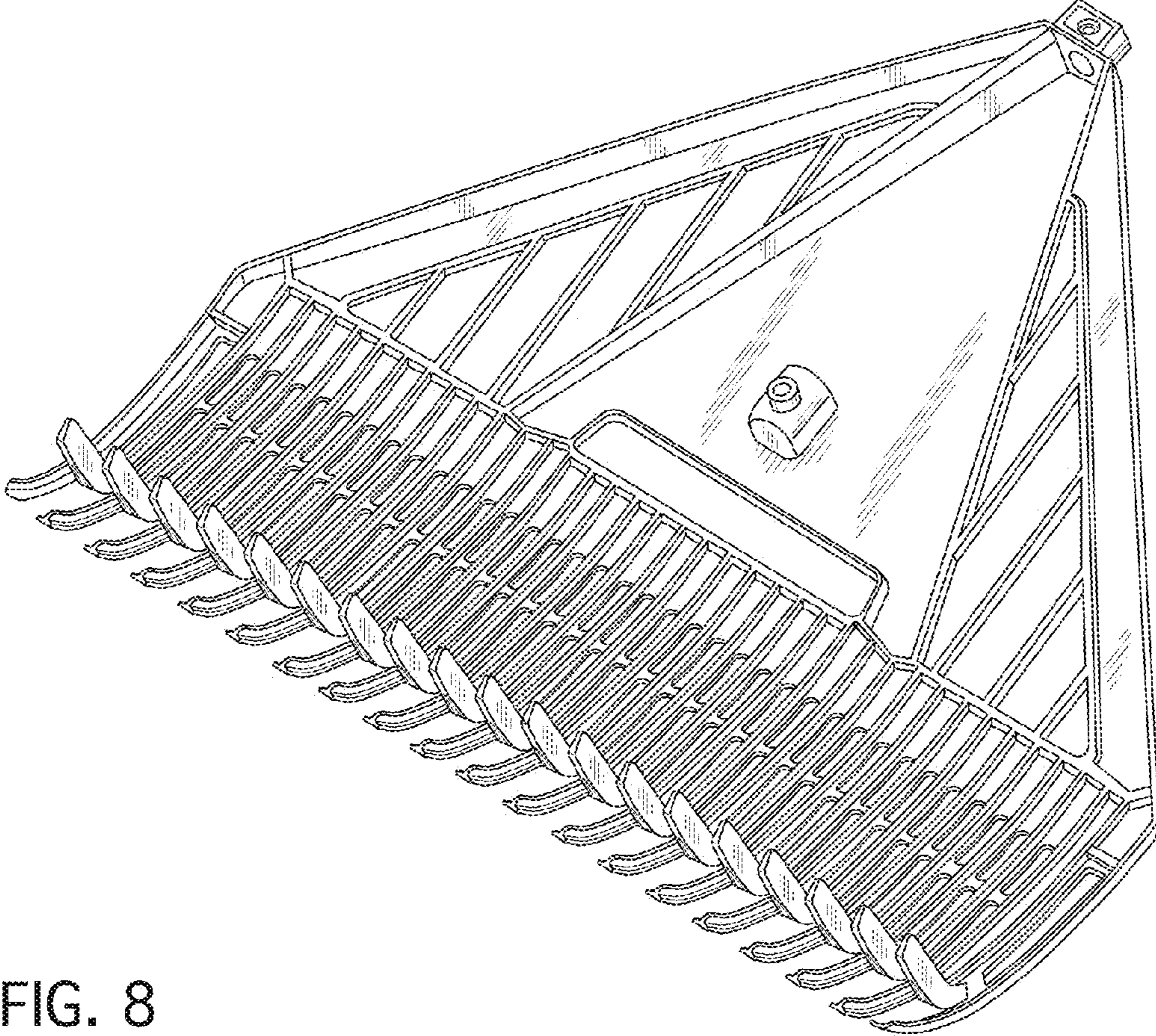


FIG. 8