



US00D769679S

(12) **United States Design Patent**  
**Kacalek et al.**

(10) **Patent No.:** **US D769,679 S**  
(45) **Date of Patent:** **\*\* Oct. 25, 2016**

(54) **RACK FOR SUPPORTING MULTIPLE TRAYS**

(71) Applicants: **Rodney Kacalek**, Hubbard, OR (US);  
**Brett Kacalek**, Canby, OR (US)

(72) Inventors: **Rodney Kacalek**, Hubbard, OR (US);  
**Brett Kacalek**, Canby, OR (US)

(\*\*) Term: **14 Years**

(21) Appl. No.: **29/520,451**

(22) Filed: **Mar. 13, 2015**

(51) **LOC (10) Cl.** ..... **06-04**

(52) **U.S. Cl.**  
USPC ..... **D7/704; D7/601**

(58) **Field of Classification Search**  
USPC ..... D7/704, 600.1-600.4; D6/675.1, 675.2,  
D6/672, 675.5, 676.5, 677.5, 678.4, 680.3  
CPC ..... A21B 3/155; A21B 3/131; F24C 15/16;  
F24B 1/205; B62B 3/006  
See application file for complete search history.

(56) **References Cited**

**U.S. PATENT DOCUMENTS**

1,563,057	A *	11/1925	Williams	.....	B62B 3/006 211/134
4,191,160	A *	3/1980	Elliott	.....	F24B 1/205 126/25 R
D278,196	S *	4/1985	Koves	.....	D6/675.2
D364,288	S *	11/1995	Kramer	.....	D7/388
5,638,809	A *	6/1997	Wienhold	.....	F24C 15/16 126/29
5,823,100	A *	10/1998	Wienhold	.....	A21B 3/155 108/91
D594,252	S *	6/2009	Gehring	.....	D6/675.2

\* cited by examiner

**OTHER PUBLICATIONS**

Photographs of two tray racks shown to public prior to Mar. 13, 2014.

*Primary Examiner* — Terry Wallace

(74) *Attorney, Agent, or Firm* — Klarquist Sparkman, LLP

(57) **CLAIM**

We claim the ornamental design for a rack for supporting multiple trays, as shown and described.

**DESCRIPTION**

FIG. 1 is a perspective view of a rack for supporting multiple trays, according to a first embodiment.

FIG. 2 is a front elevation view of the rack of FIG. 1.

FIG. 3 is a rear elevation view of the rack of FIG. 1.

FIG. 4 is a side elevation view of the rack of FIG. 1, the opposite side being a mirror image thereof.

FIG. 5 is a top plan view of the rack of FIG. 1.

FIG. 6 is a bottom plan view of the rack of FIG. 1.

FIG. 7 is a perspective view of a rack for supporting multiple trays, according to a second embodiment.

FIG. 8 is a front elevation view of the rack of FIG. 7.

FIG. 9 is a rear elevation view of the rack of FIG. 7.

FIG. 10 is a side elevation view of the rack of FIG. 7, the opposite side being a mirror image thereof.

FIG. 11 is a top plan view of the rack of FIG. 7.

FIG. 12 is a bottom plan view of the rack of FIG. 7.

FIG. 13 is a perspective view of a rack for supporting multiple trays, according to a third embodiment.

FIG. 14 is a front elevation view of the rack of FIG. 13.

FIG. 15 is a rear elevation view of the rack of FIG. 13.

FIG. 16 is a side elevation view of the rack of FIG. 13, the opposite side being a mirror image thereof.

FIG. 17 is a top plan view of the rack of FIG. 13.

FIG. 18 is a bottom plan view of the rack of FIG. 13.

FIG. 19 is a perspective view of a rack for supporting multiple trays, according to a fourth embodiment.

FIG. 20 is a front elevation view of the rack of FIG. 19.

FIG. 21 is a rear elevation view of the rack of FIG. 19.

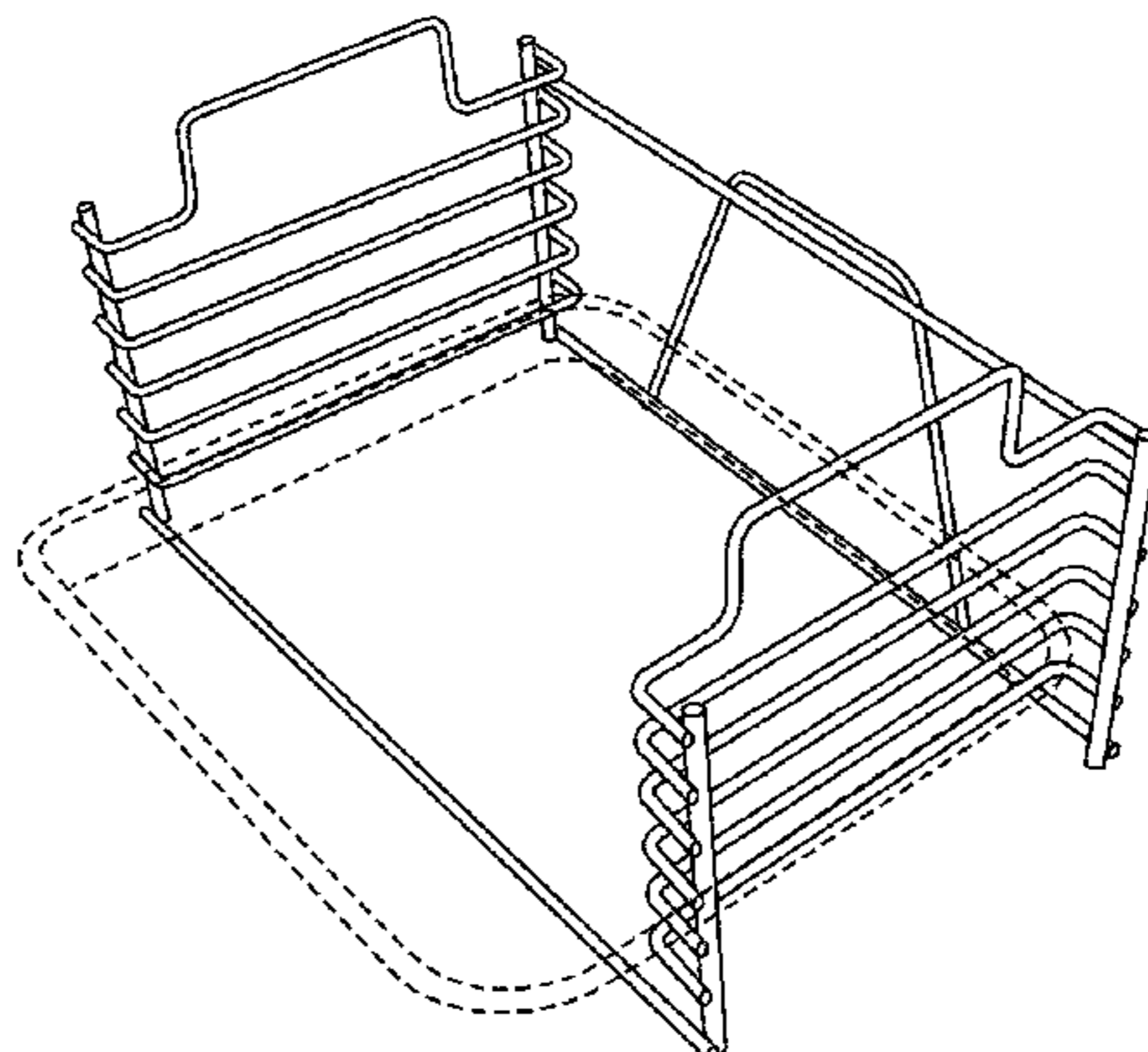
FIG. 22 is a side elevation view of the rack of FIG. 19, the opposite side being a mirror image thereof.

FIG. 23 is a top plan view of the rack of FIG. 19; and,

FIG. 24 is a bottom plan view of the rack of FIG. 19.

The broken lines showing the tray are for illustrative purposes only and form no part of the claimed design.

**1 Claim, 12 Drawing Sheets**



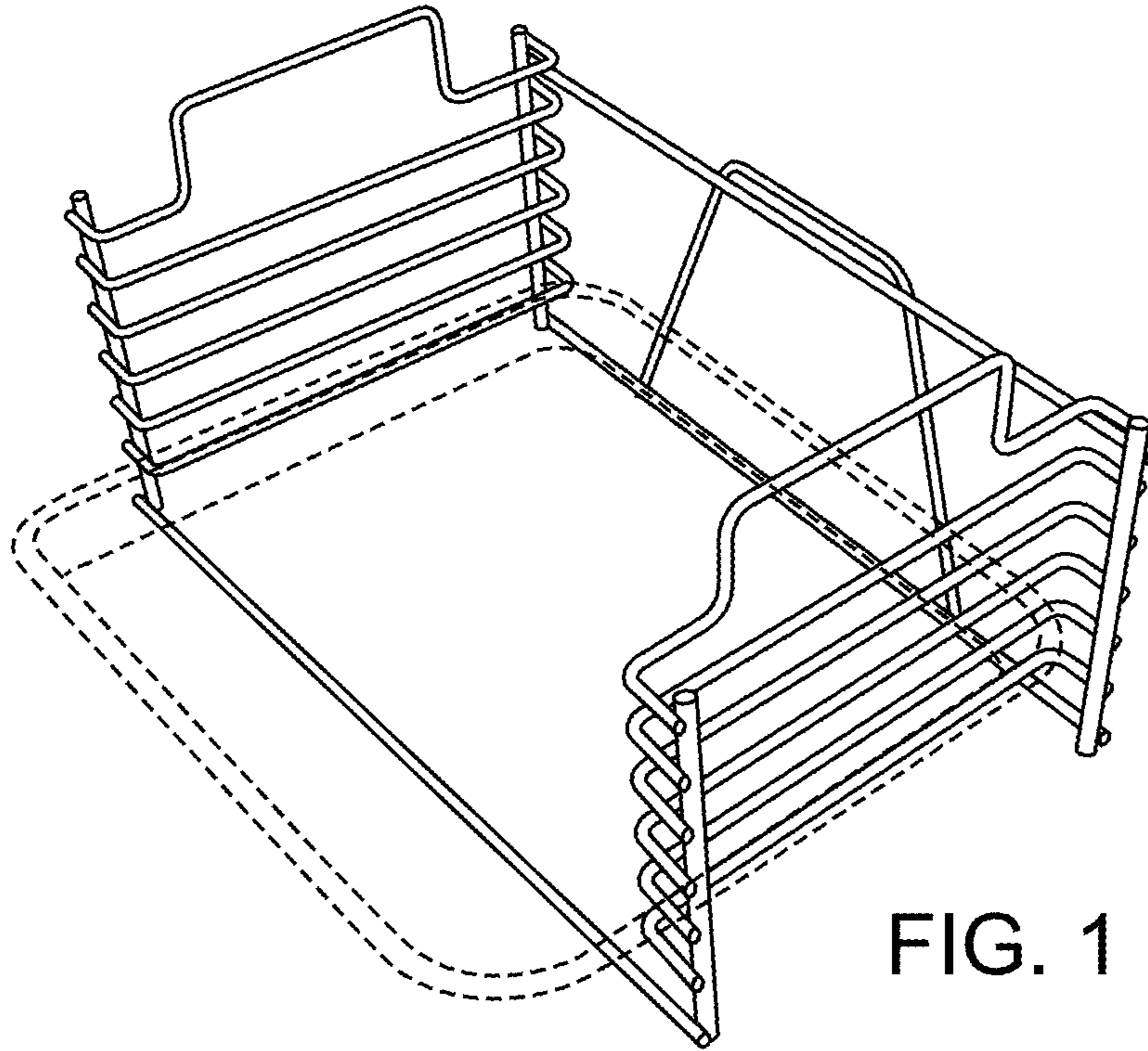


FIG. 1

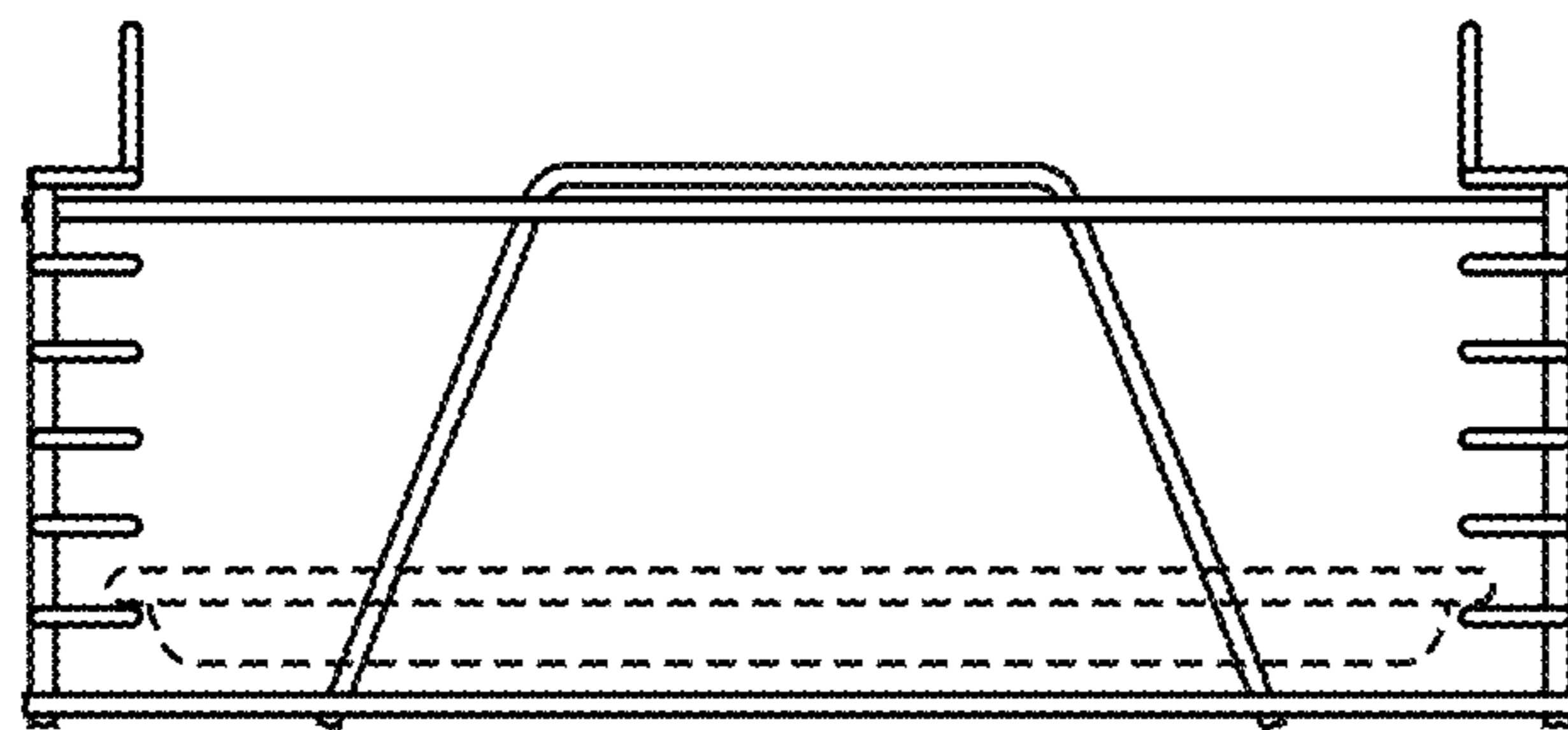


FIG. 2

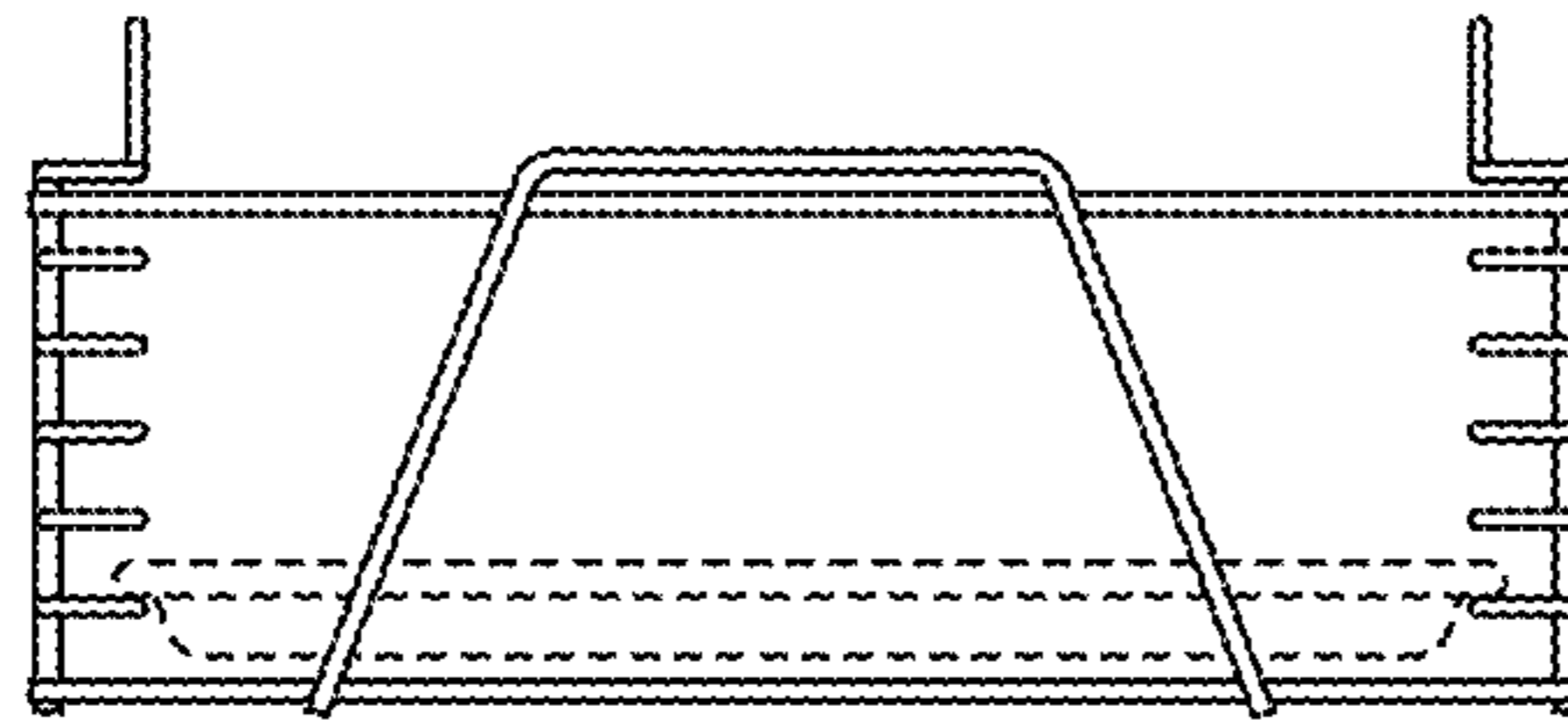


FIG. 3

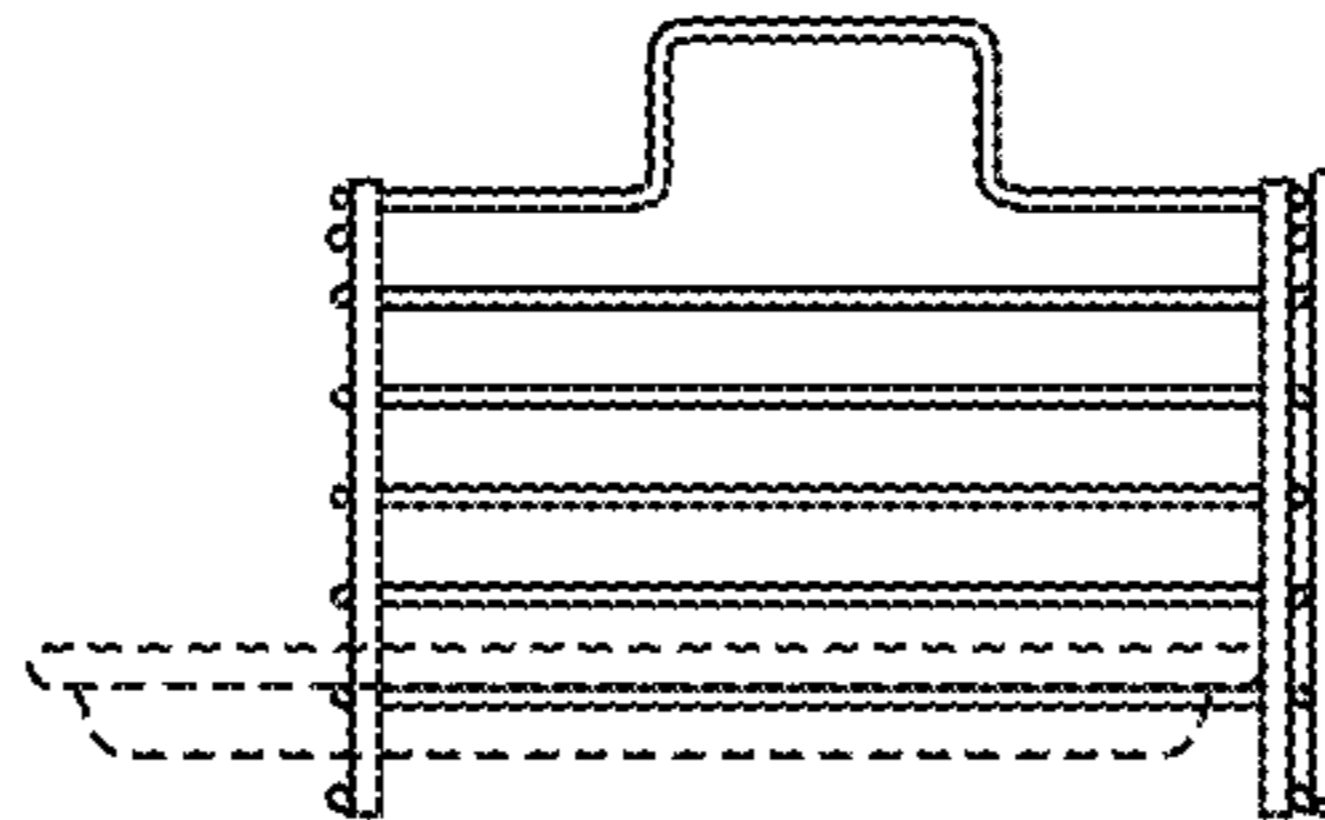


FIG. 4

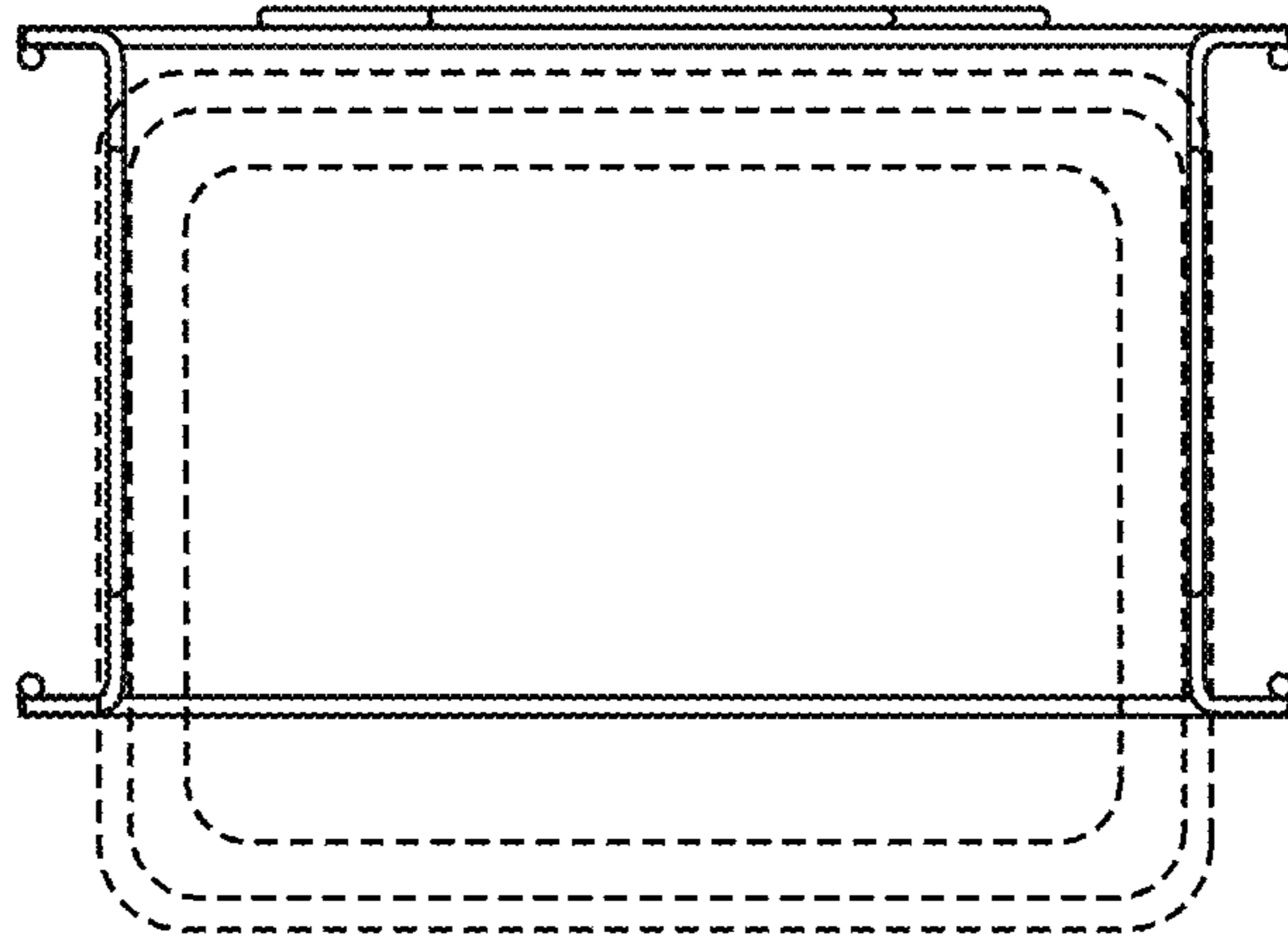


FIG. 5

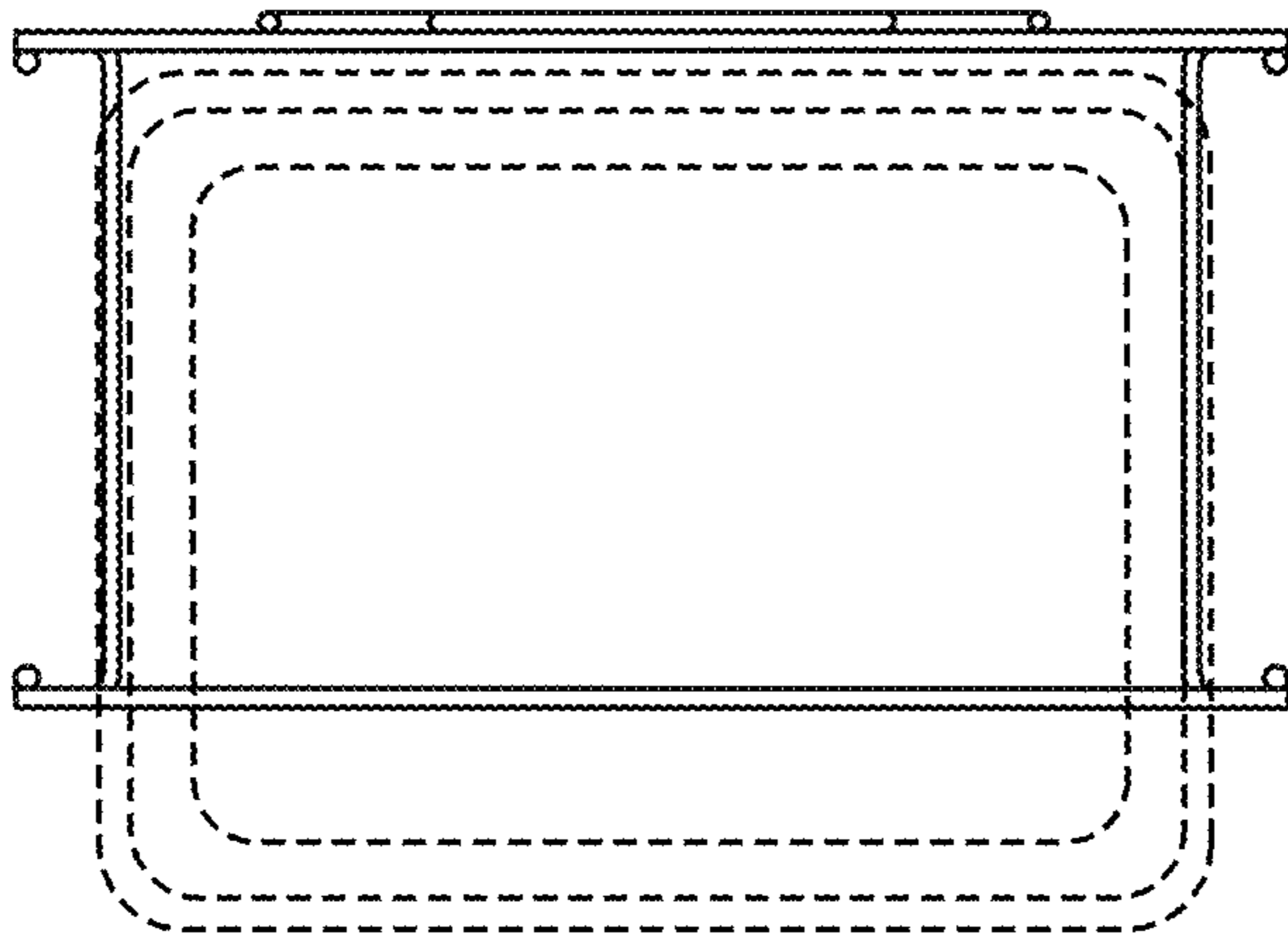


FIG. 6

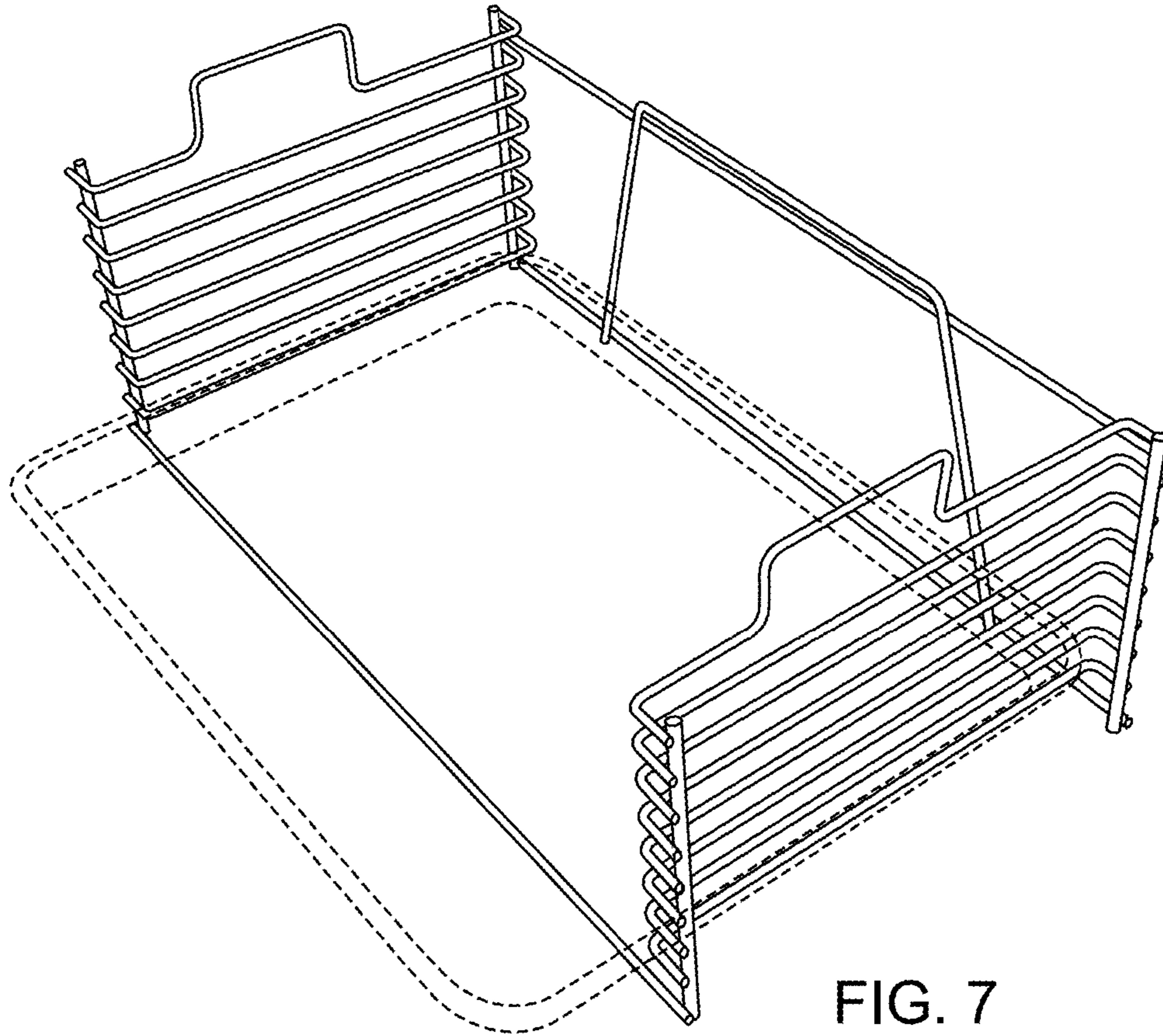


FIG. 7

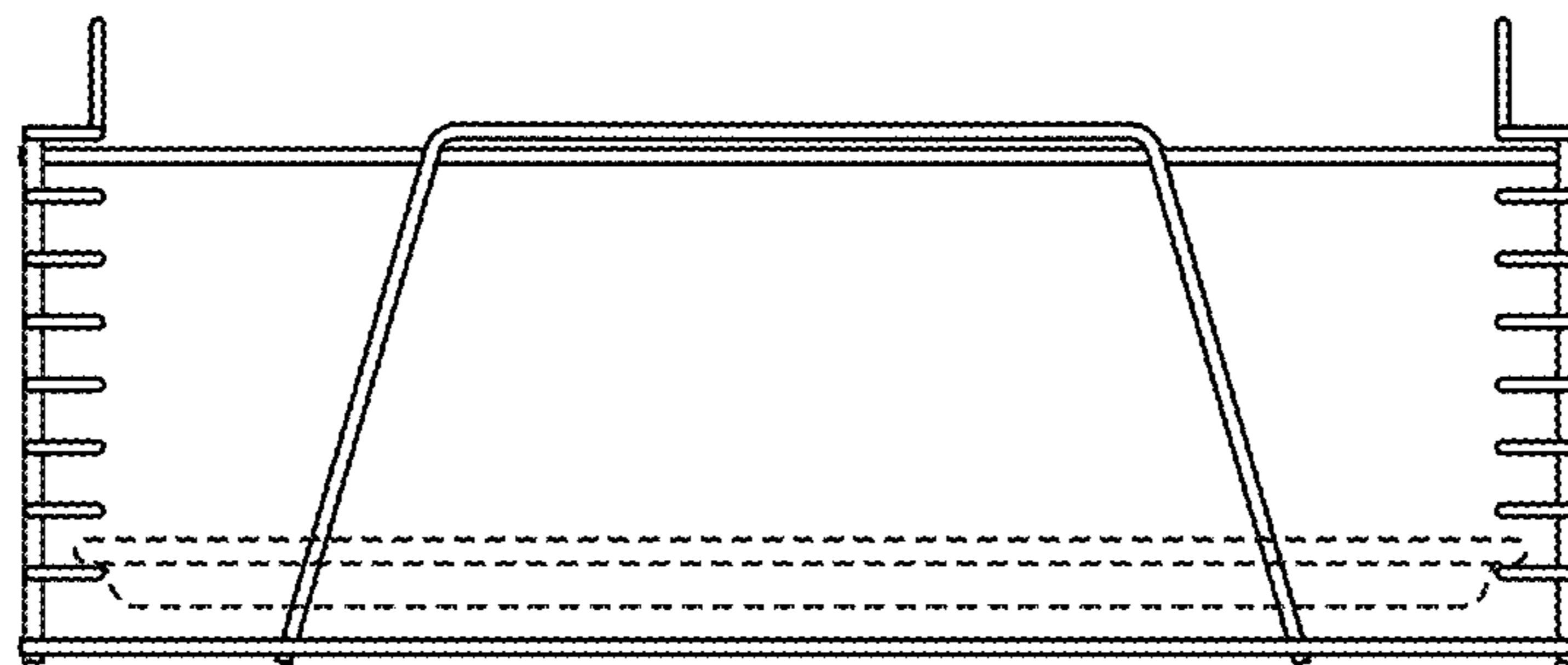


FIG. 8

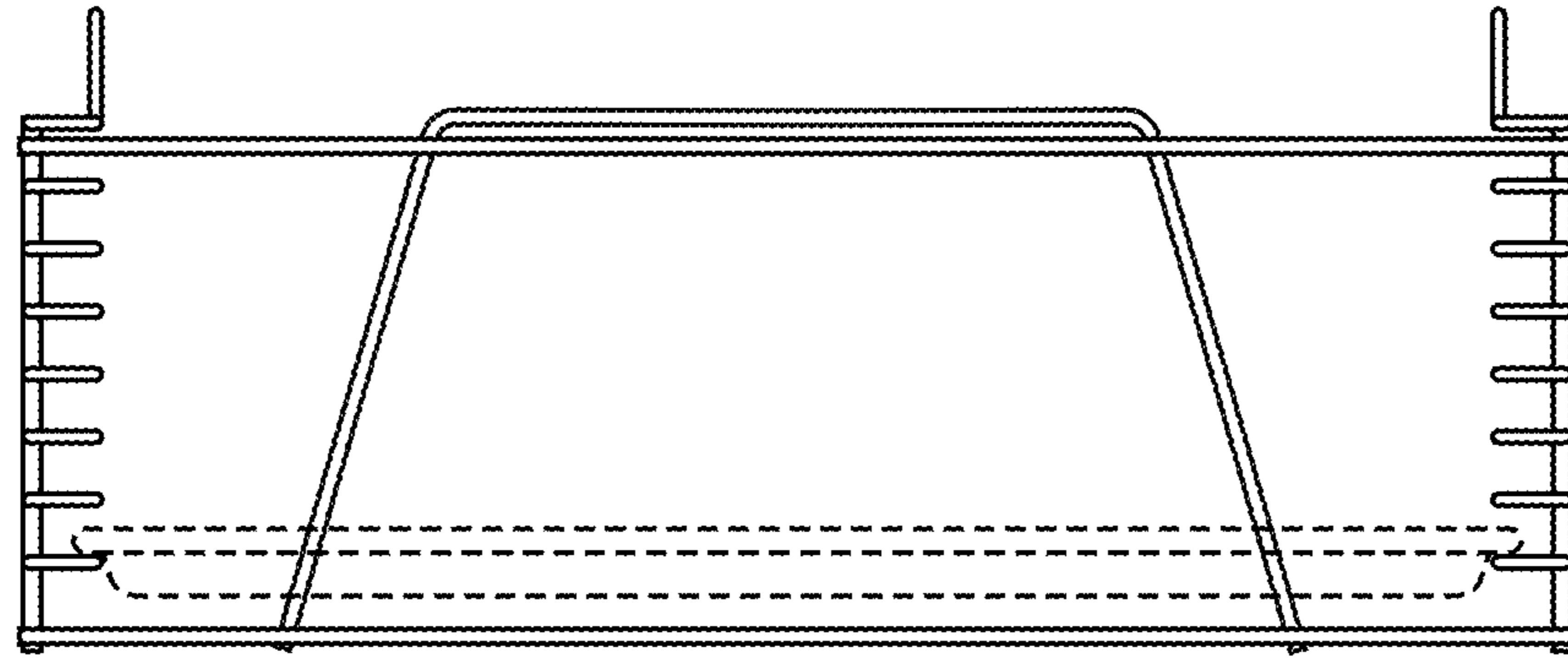


FIG. 9

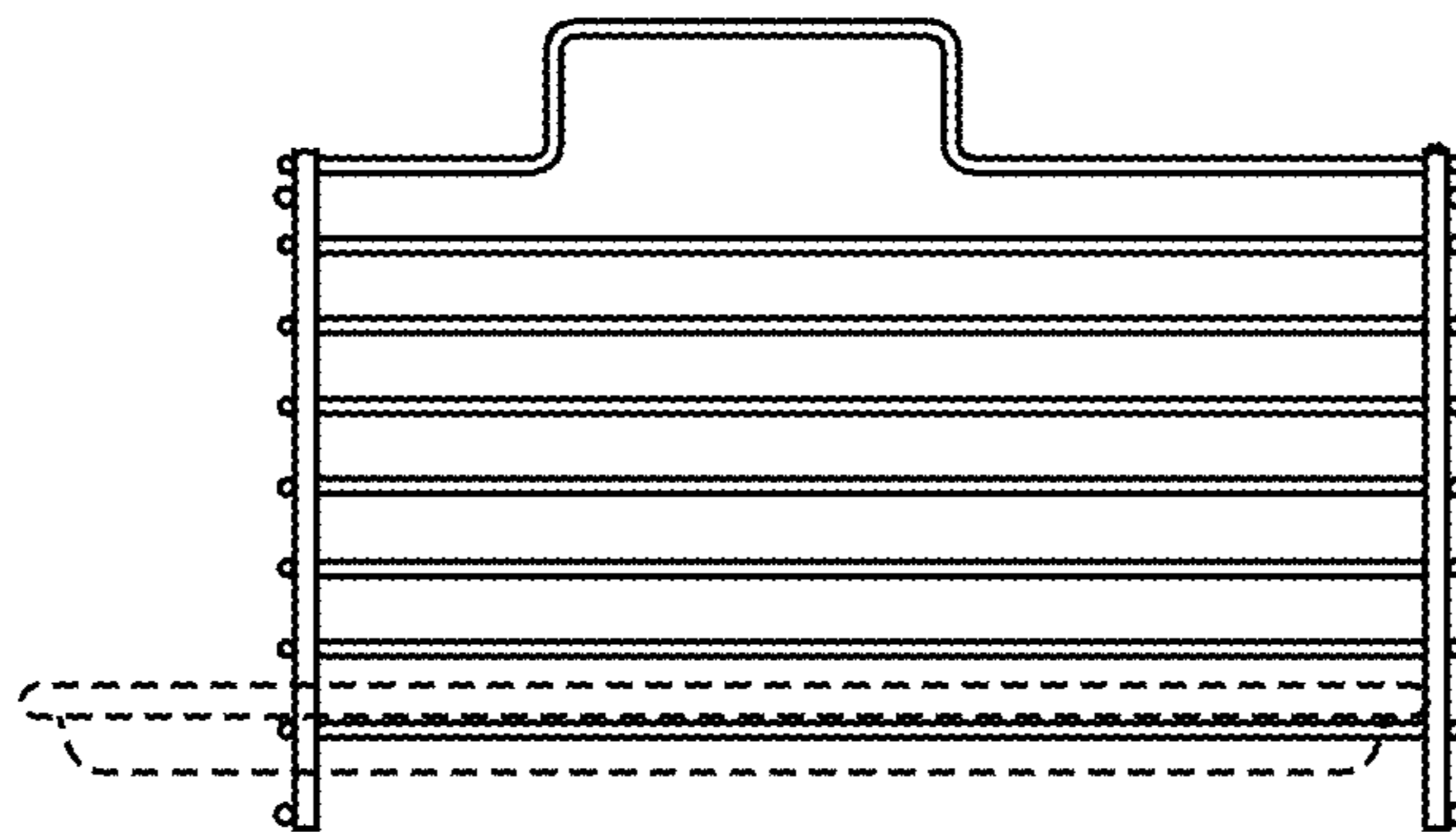


FIG. 10

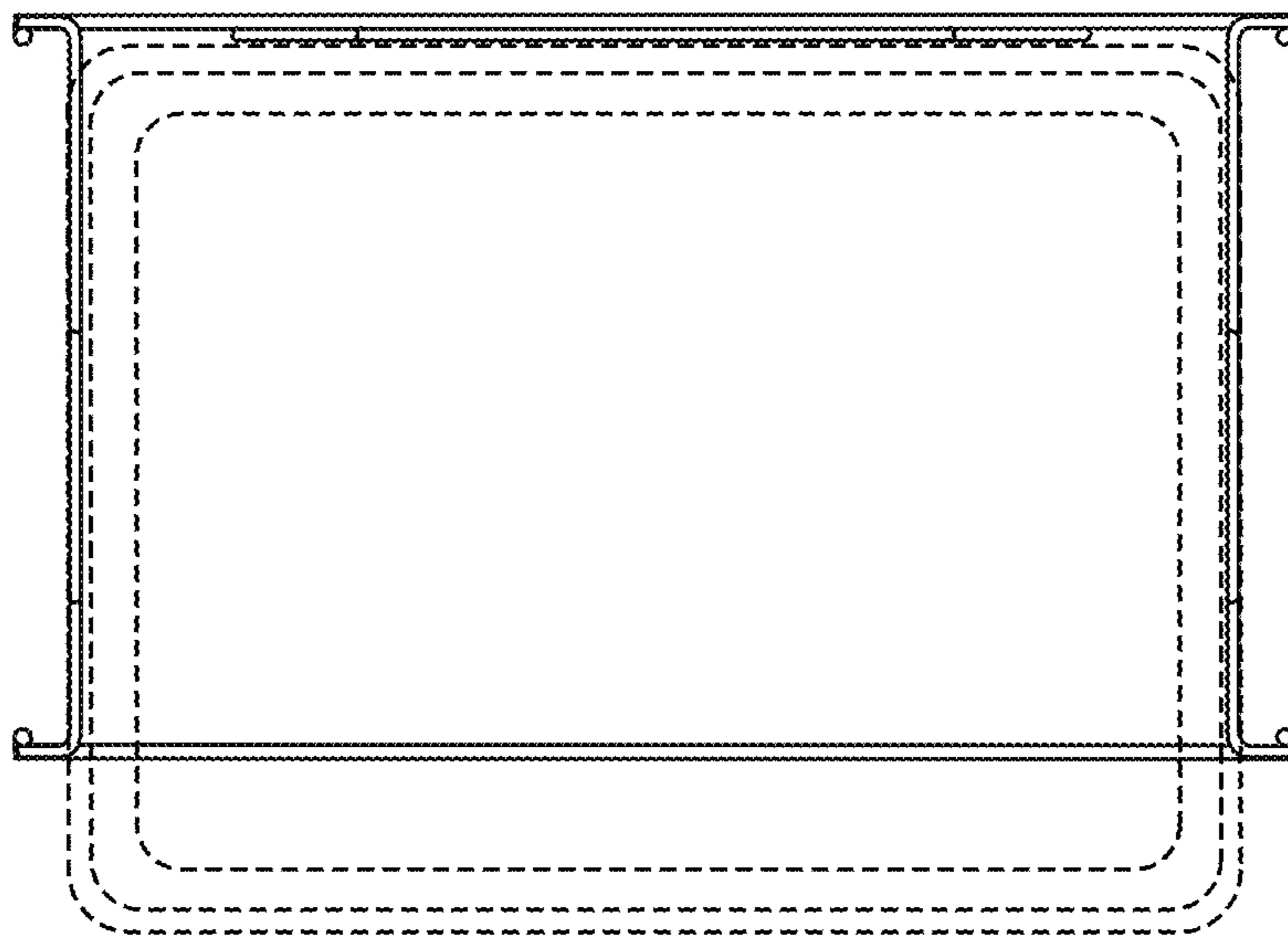


FIG. 11

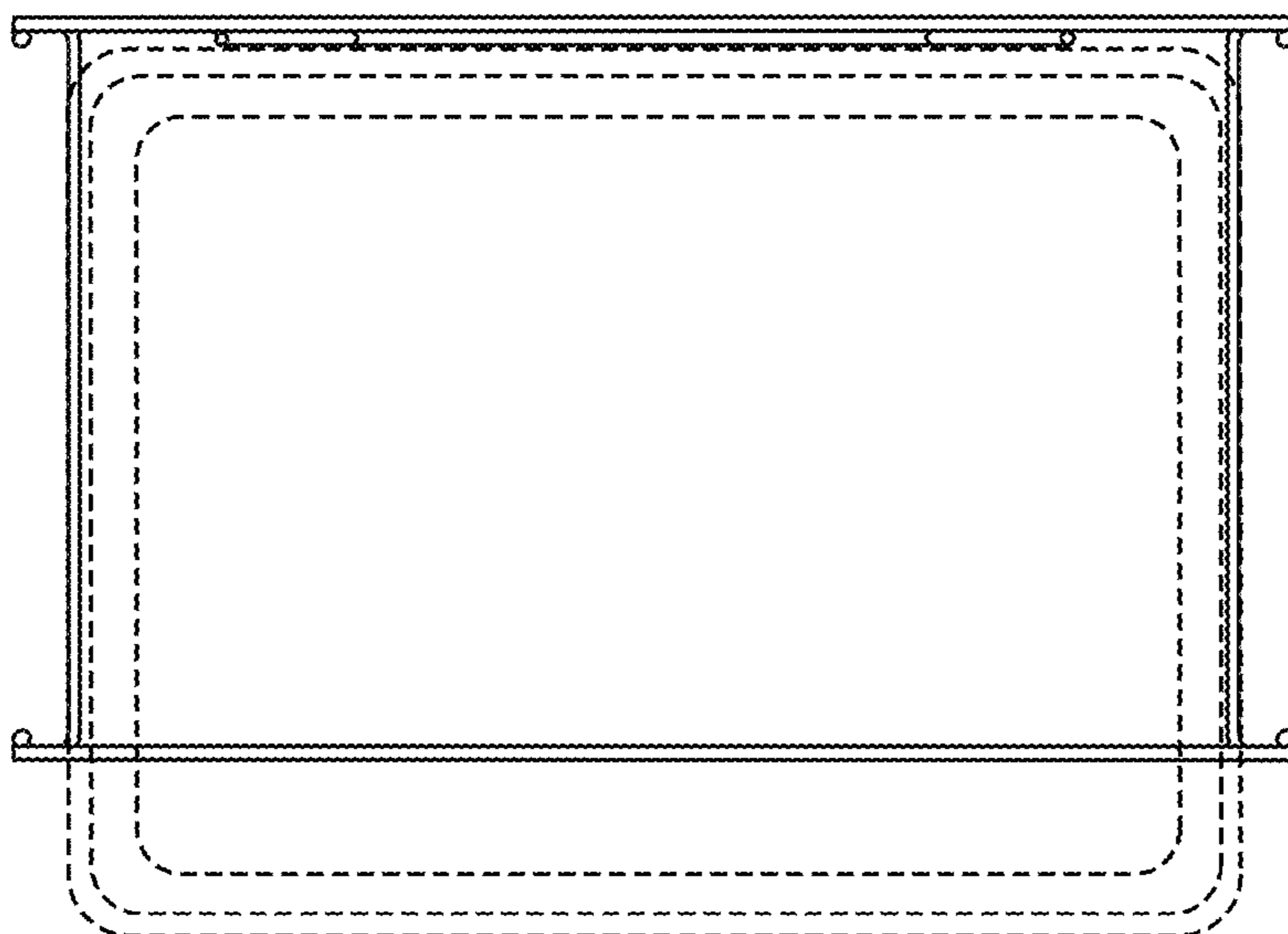


FIG. 12

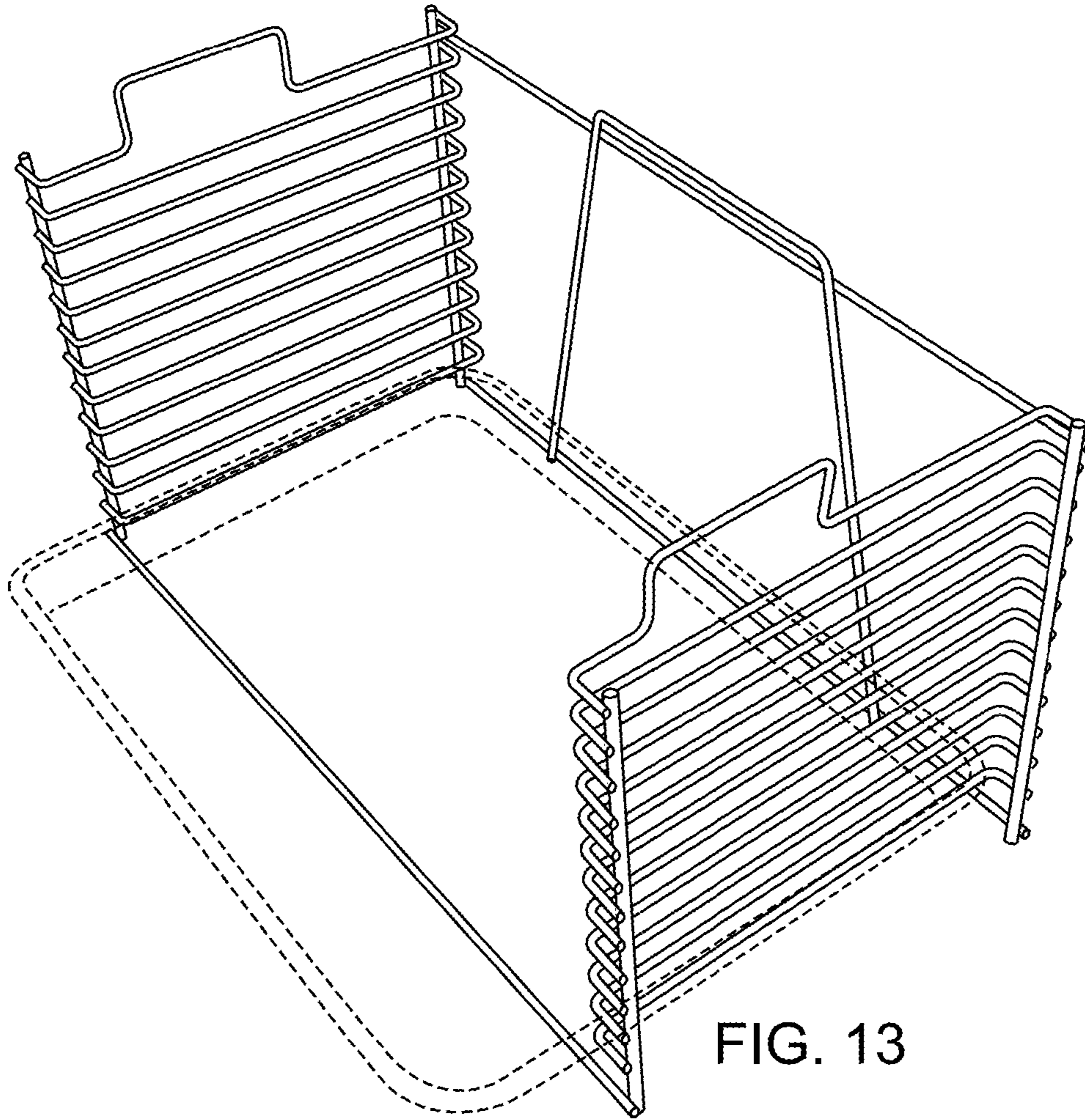


FIG. 13

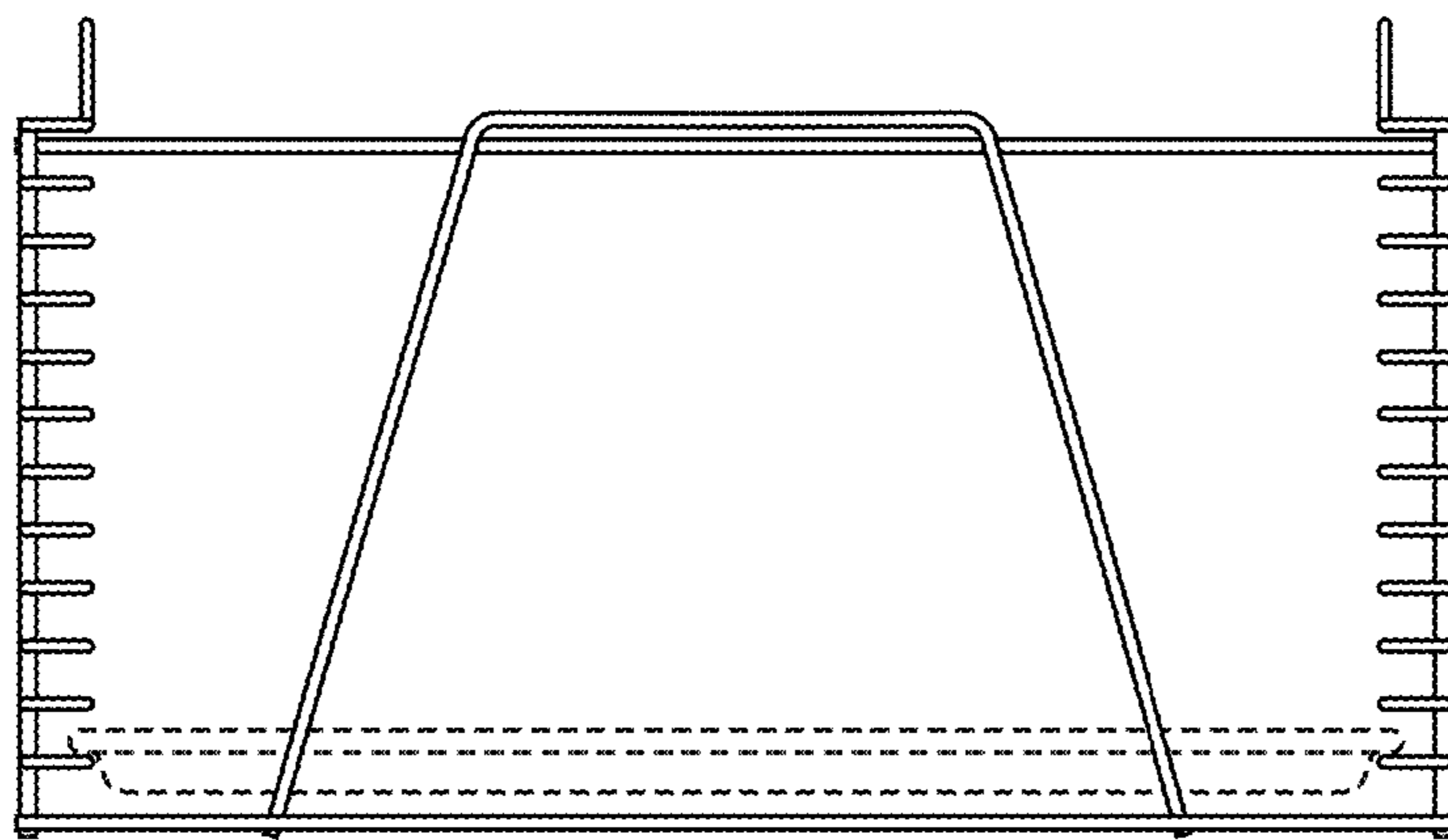


FIG. 14



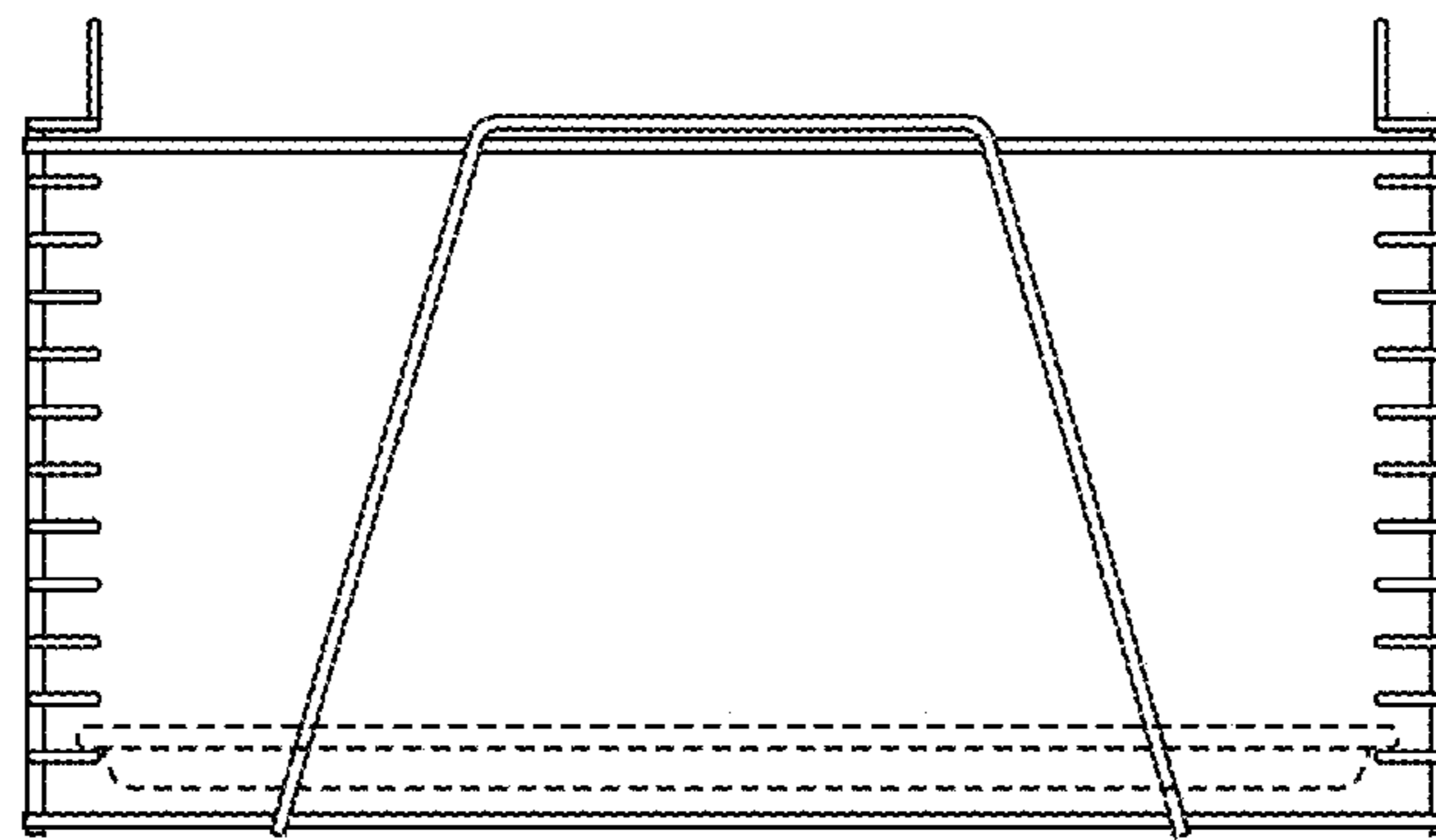


FIG. 15

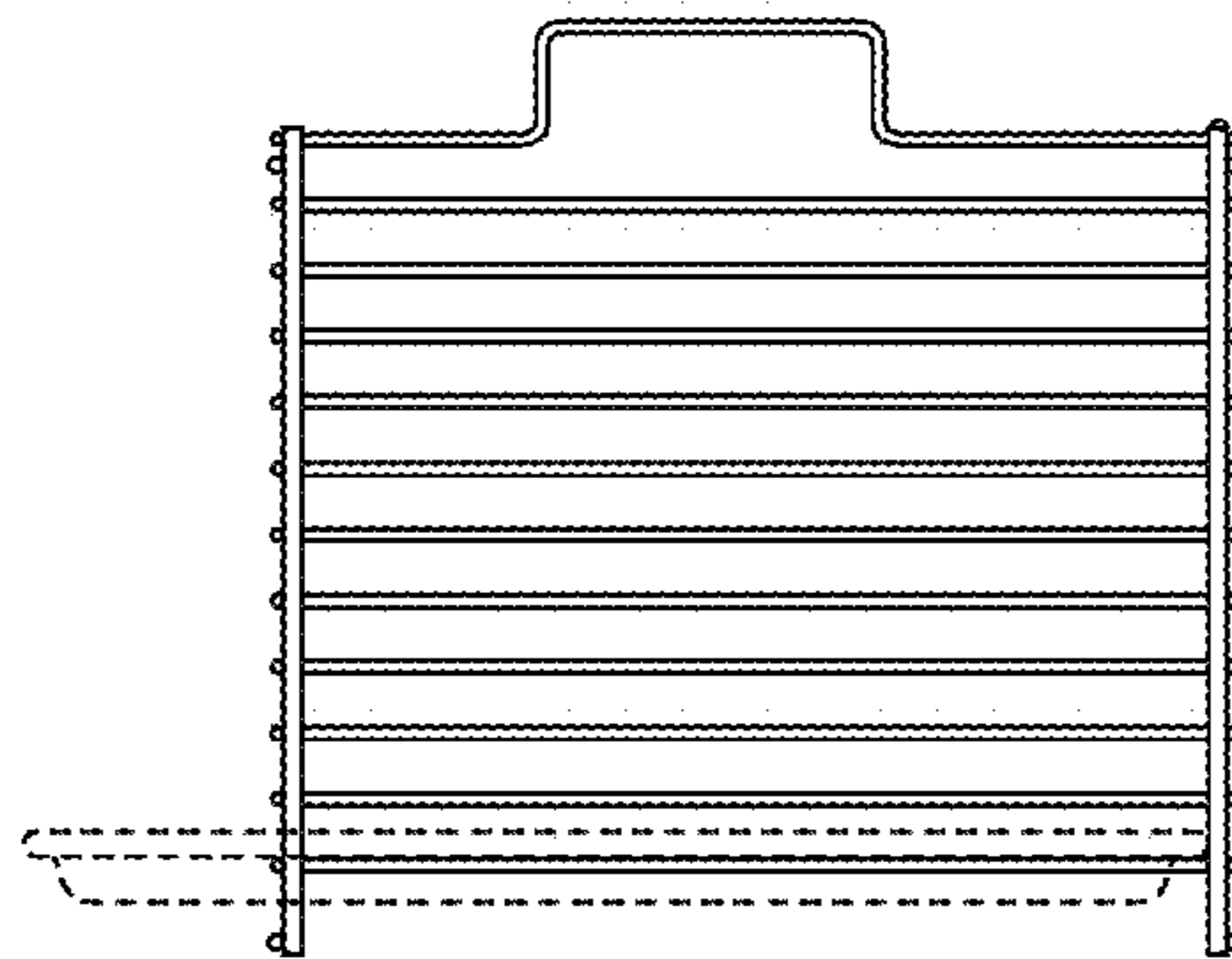


FIG. 16

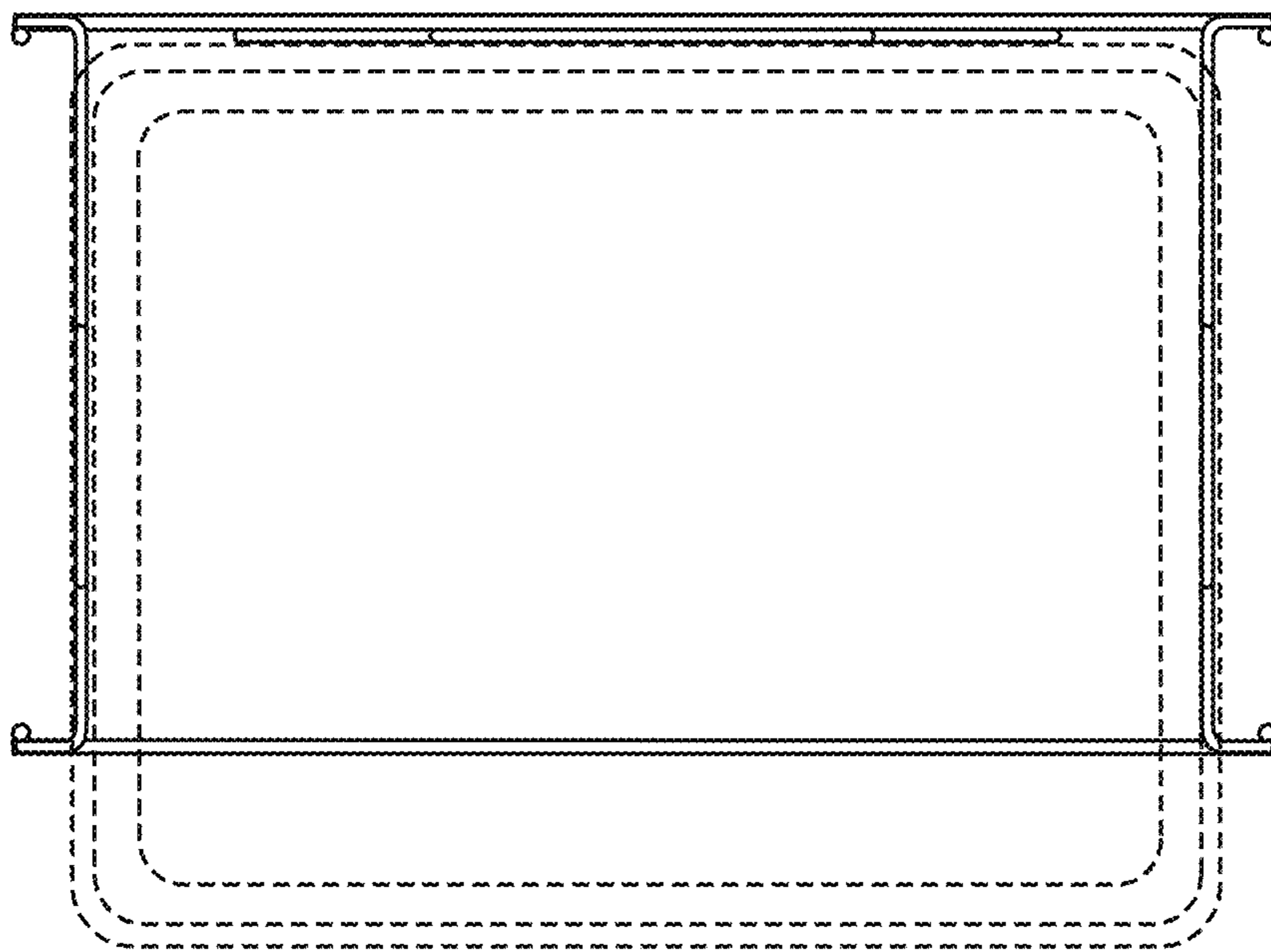


FIG. 17

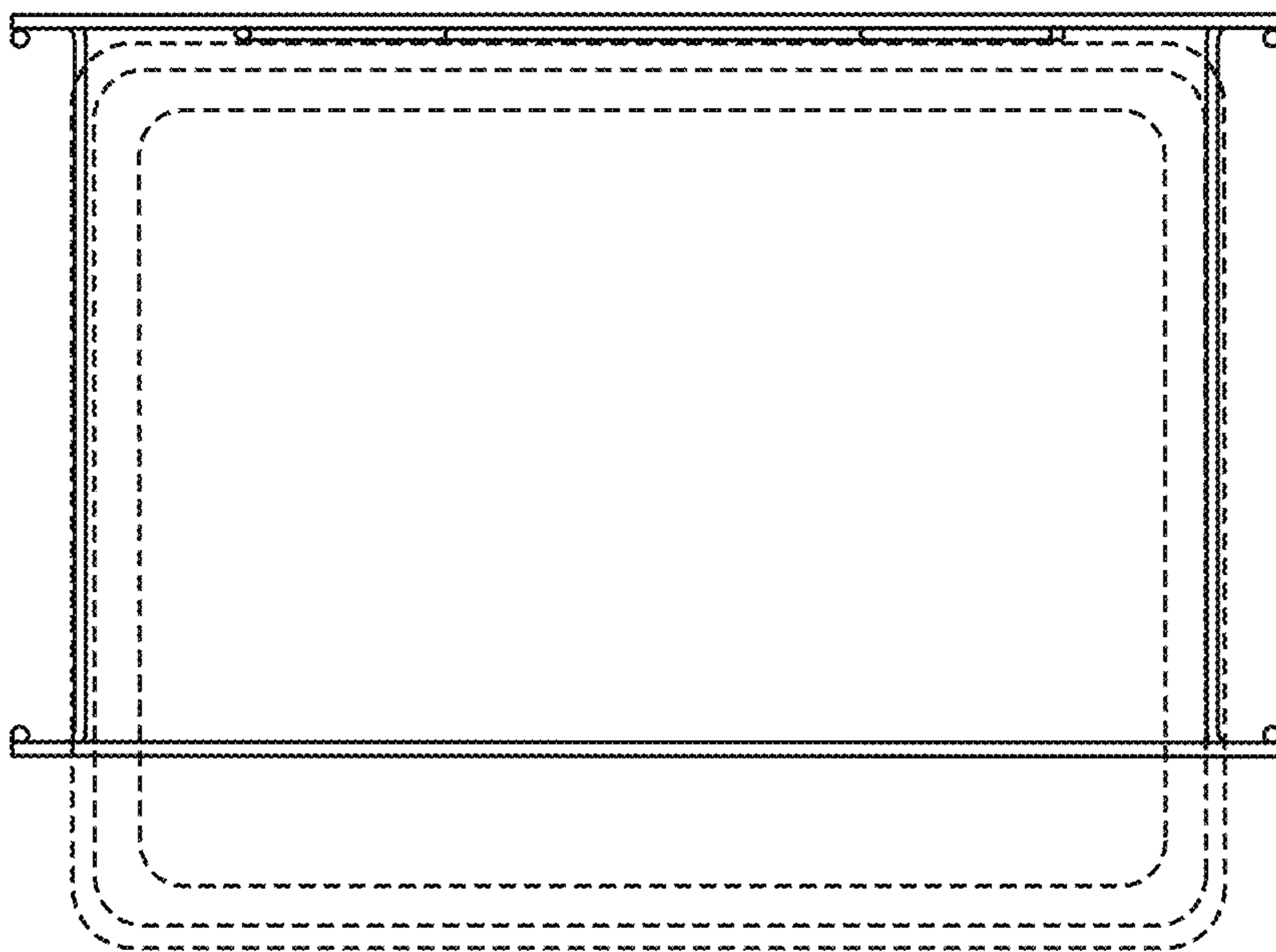


FIG. 18

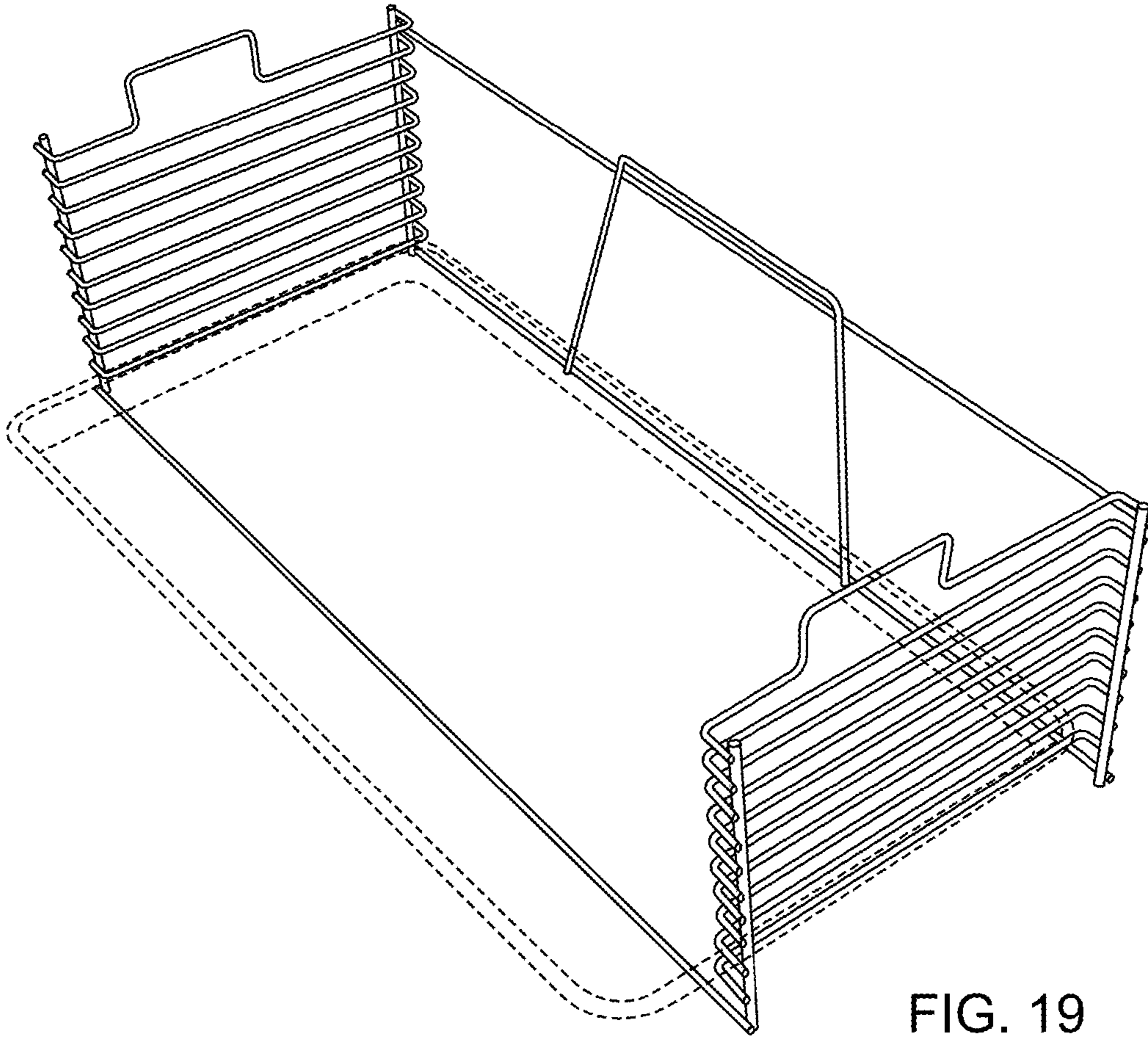


FIG. 19

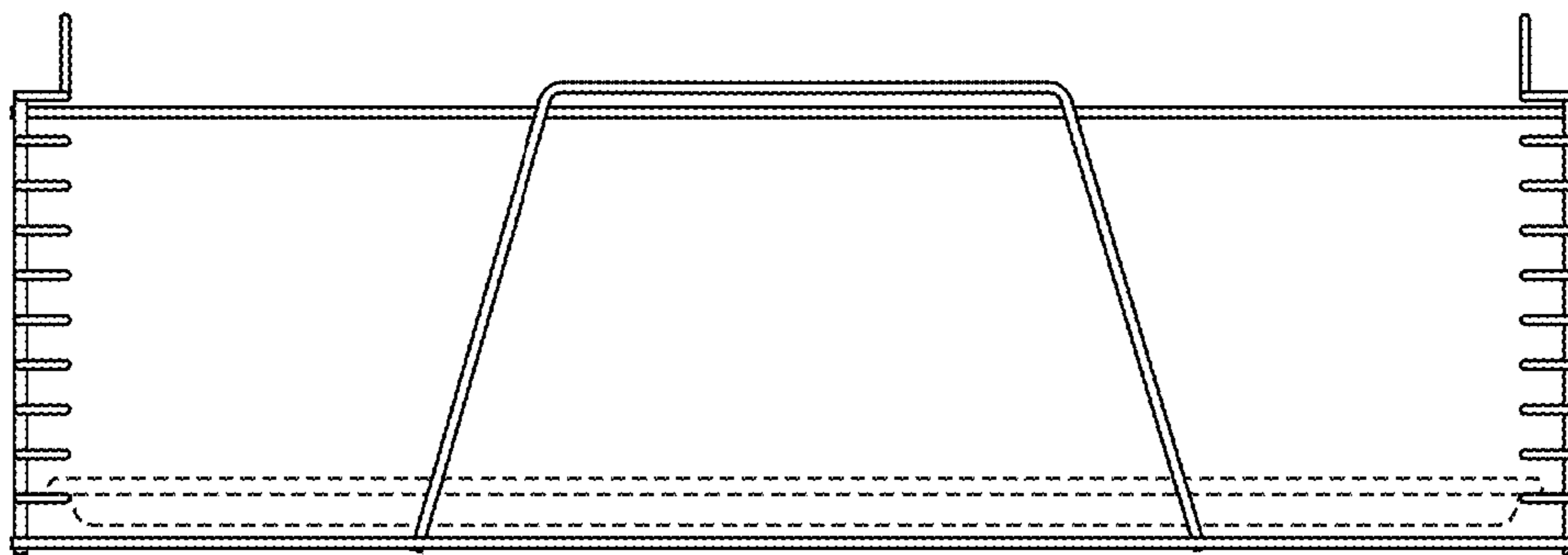


FIG. 20

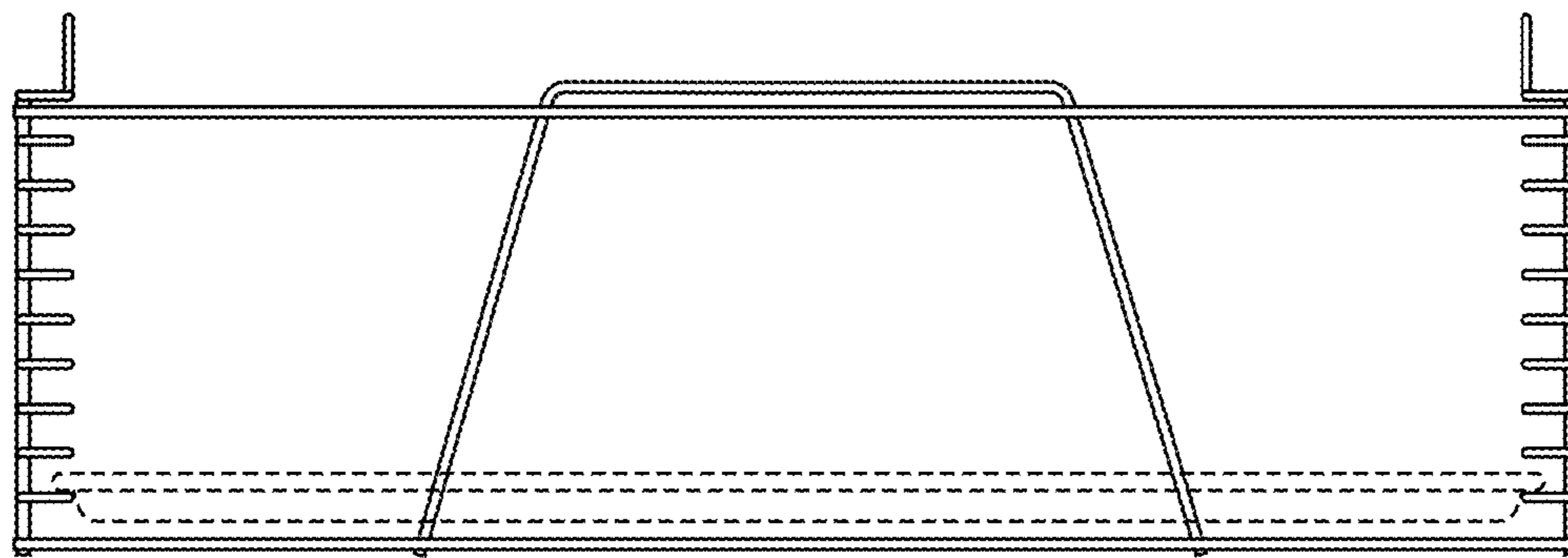


FIG. 21

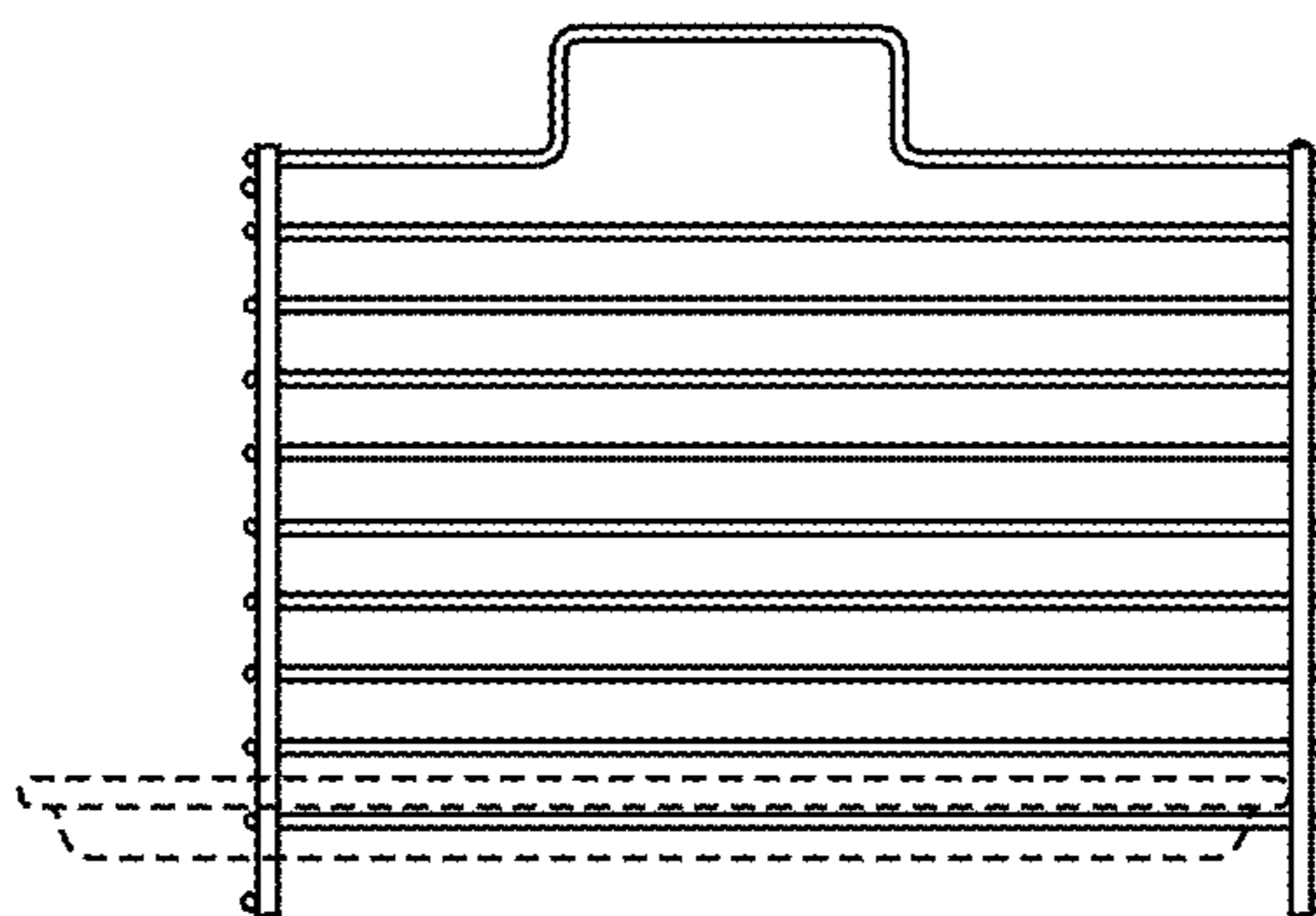


FIG. 22

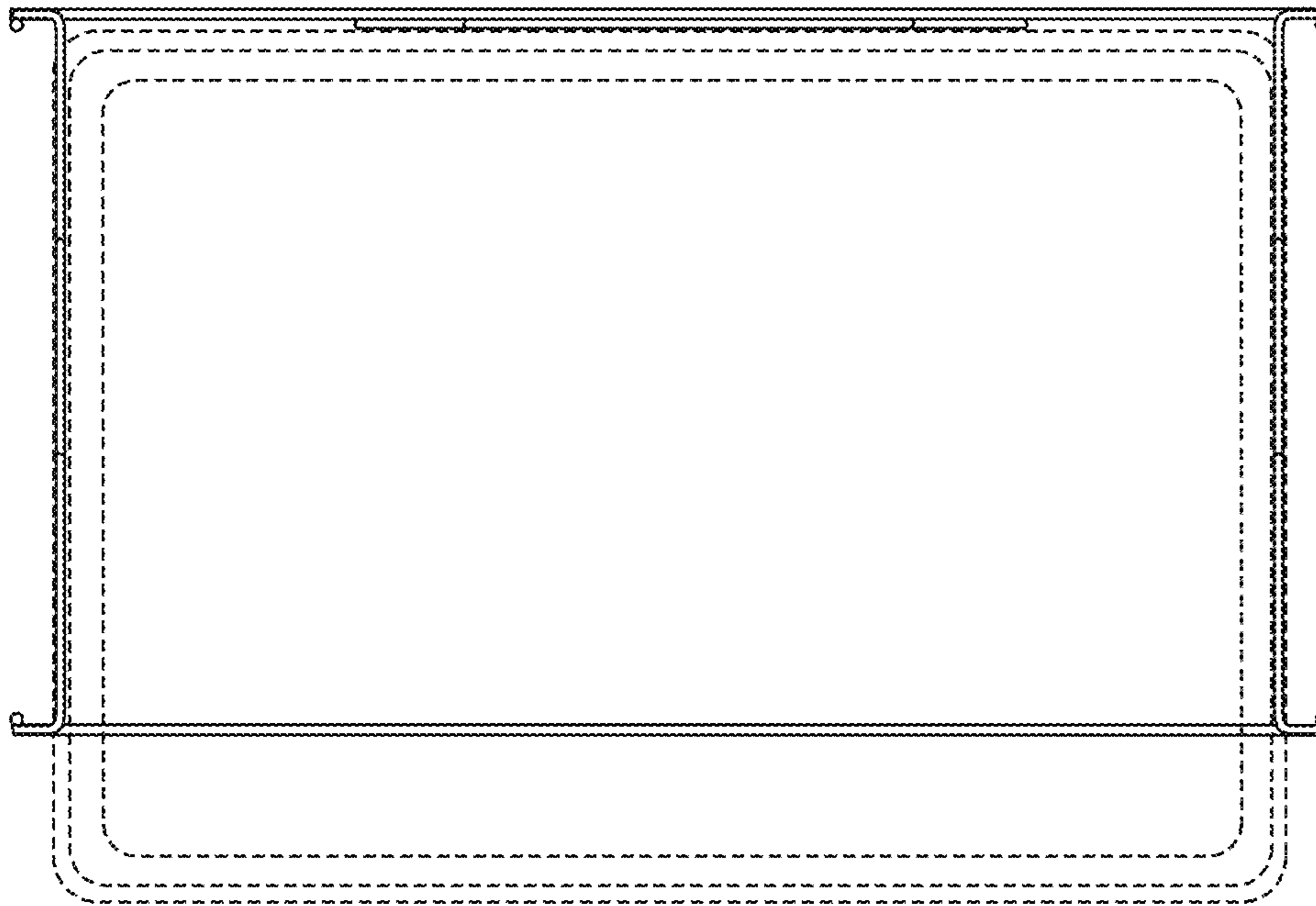


FIG. 23

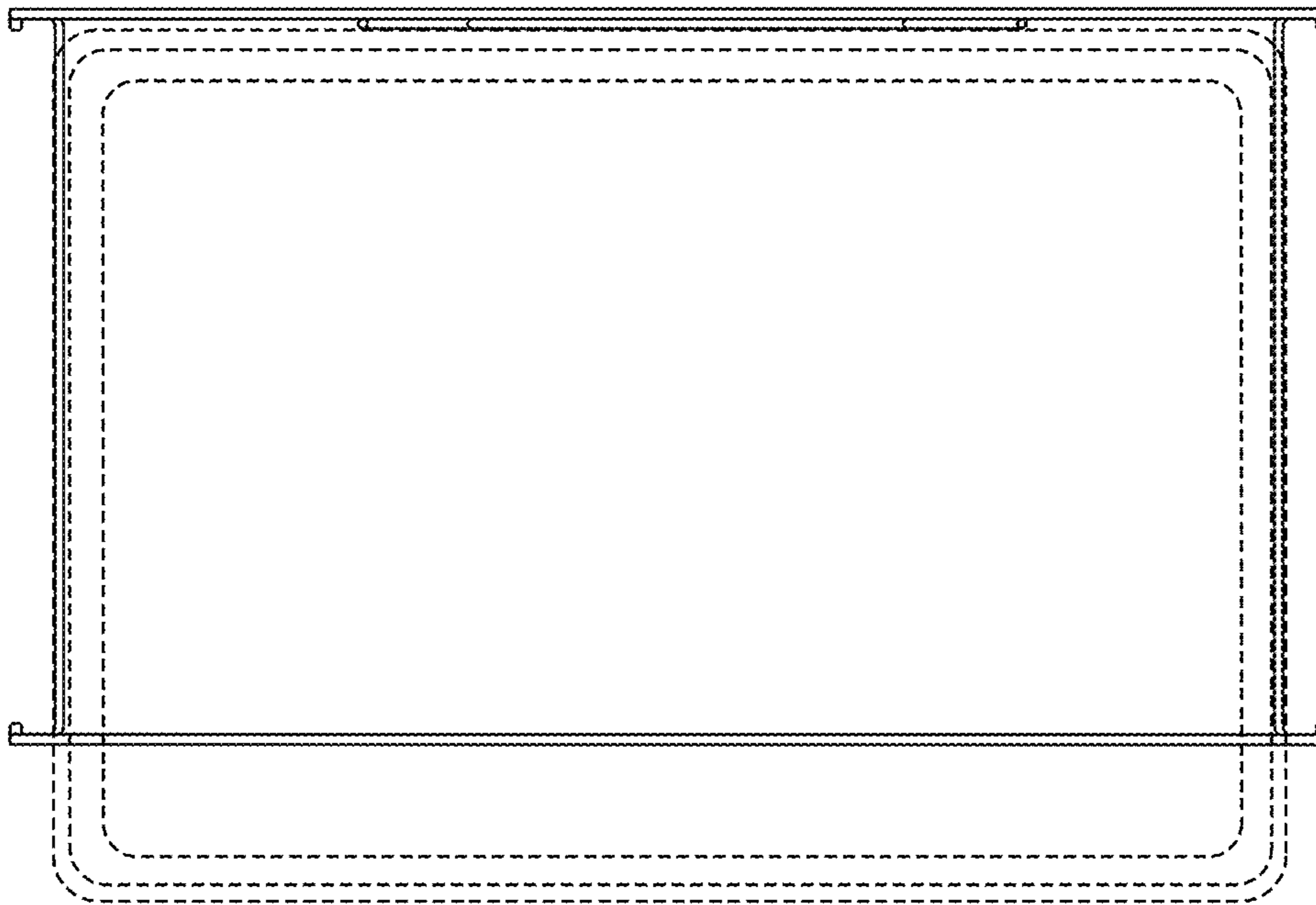


FIG. 24