



US00D769678S

(12) **United States Design Patent** (10) **Patent No.:** **US D769,678 S**
Jussen (45) **Date of Patent:** **** Oct. 25, 2016**

(54) **TABLE CADDY**
(71) Applicant: **John Jussen**, Baldwin, NY (US)
(72) Inventor: **John Jussen**, Baldwin, NY (US)
(**) Term: **15 Years**
(21) Appl. No.: **29/556,837**
(22) Filed: **Mar. 3, 2016**
(51) **LOC (10) Cl.** **06-04**
(52) **U.S. Cl.**
USPC **D7/701**
(58) **Field of Classification Search**
USPC D6/524, 525; D3/206, 304, 308, 310,
D3/313, 315, 901, 903; D7/500, 505, 555,
D7/590, 601, 637, 640, 641, 701;
D11/143, 146, 152; D19/75-80, 85,
D19/90, 92; 206/214; 211/10, 11, 13.1, 50,
211/55, 62, 69.1-69.9, 70.6, 70.7, 119.011;
D28/73; 220/507, 533, 555; 47/41.1,
47/65.5, 66.1, 66.6, 66.7, 69
CPC B43K 23/001; B43M 999/001; B43M
99/008; B43M 99/006
See application file for complete search history.

(56) **References Cited**
U.S. PATENT DOCUMENTS
1,155,638 A 10/1915 Bowen
3,640,498 A 2/1972 Aleks
D268,130 S * 3/1983 Easton D24/230
4,501,201 A 2/1985 Fitzner et al.
4,501,361 A * 2/1985 Rose, Jr. B65D 25/106
206/303
D280,669 S * 9/1985 Hammeke D3/308
D280,741 S * 9/1985 Chatham D19/77
4,708,256 A 11/1987 Intardonato
D320,909 S * 10/1991 Szablak D30/133
D322,356 S * 12/1991 Harshaw D3/313
5,161,561 A 11/1992 Jamieson
5,322,023 A 6/1994 Hammond
5,335,803 A 8/1994 O'Brien et al.

D355,333 S * 2/1995 Campbell D7/553.2
5,493,976 A 2/1996 Hammond
5,520,119 A * 5/1996 Eisenberg A47B 23/002
108/43
D372,124 S * 7/1996 Dammers D3/315
D400,373 S * 11/1998 Thoesen D3/313
D402,411 S * 12/1998 Radler D28/61
5,996,511 A 12/1999 Swoger
D448,048 S * 9/2001 Brown, III D19/75
6,463,946 B1 10/2002 Wu
D479,439 S * 9/2003 Joss D7/549
D484,701 S * 1/2004 Fabregas D3/315
6,883,673 B1 4/2005 Gourley

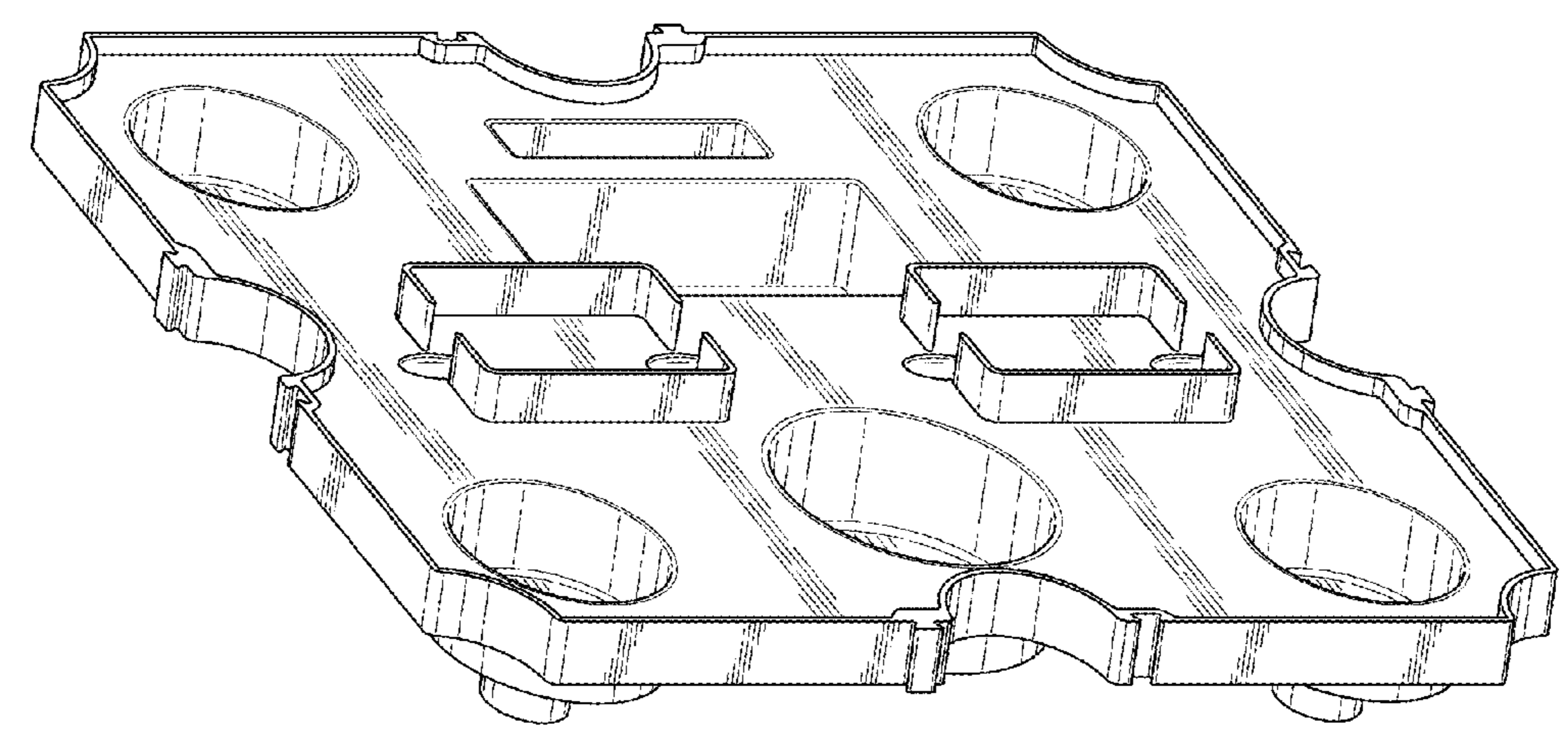
(Continued)

Primary Examiner — David Muller
Assistant Examiner — Nathan Johnston
(74) *Attorney, Agent, or Firm* — Notaro, Michalos & Zaccaria P.C.

(57) **CLAIM**
The ornamental design for a table caddy, as shown and described.

DESCRIPTION
FIG. 1 is a top, front, right perspective view of a table caddy showing my design therefor;
FIG. 2 is a top plan view thereof;
FIG. 3 is a front elevational view thereof;
FIG. 4 is a side elevational view thereof;
FIG. 5 is a sectional view taken along line 5-5 of FIG. 2 thereof;
FIG. 6 is a sectional view taken along line 6-6 of FIG. 2 thereof;
FIG. 7 is a sectional view taken along line 7-7 of FIG. 2 thereof;
FIG. 8 is a sectional view taken along line 8-8 of FIG. 2 thereof;
FIG. 9 is a bottom, front, left perspective view thereof; and, FIG. 10 is bottom plan view thereof.
Throughout the drawings the broken lines form no part of the design.

1 Claim, 6 Drawing Sheets



(56)

References Cited

U.S. PATENT DOCUMENTS

D508,634 S *	8/2005	Chambers	D3/313	D606,422 S *	12/2009	Schmidt	D3/313
7,044,064 B2	5/2006	Li			D659,479 S *	5/2012	Peck	D7/555
7,044,321 B2 *	5/2006	Smith	B65D 1/24 220/23.87	8,381,662 B2	2/2013	Goldszer		
7,124,694 B2	10/2006	Li			D690,939 S *	10/2013	Lintz	D3/313
D551,890 S *	10/2007	Gruber	D6/601	D693,125 S *	11/2013	Bell	D3/304
D571,188 S *	6/2008	Brassard	D8/354	8,640,894 B1	2/2014	Cronin		
7,503,265 B1	3/2009	Hammond			D704,935 S *	5/2014	Lintz	D3/308
D601,343 S *	10/2009	Franczyk	D3/313	9,107,496 B2	8/2015	Lindo et al.		
					D746,128 S *	12/2015	Stanton	D8/380
					2009/0260282 A1 *	10/2009	Hashimoto	A01G 9/045 47/20.1
					2012/0279429 A1	11/2012	Goldszer		

* cited by examiner

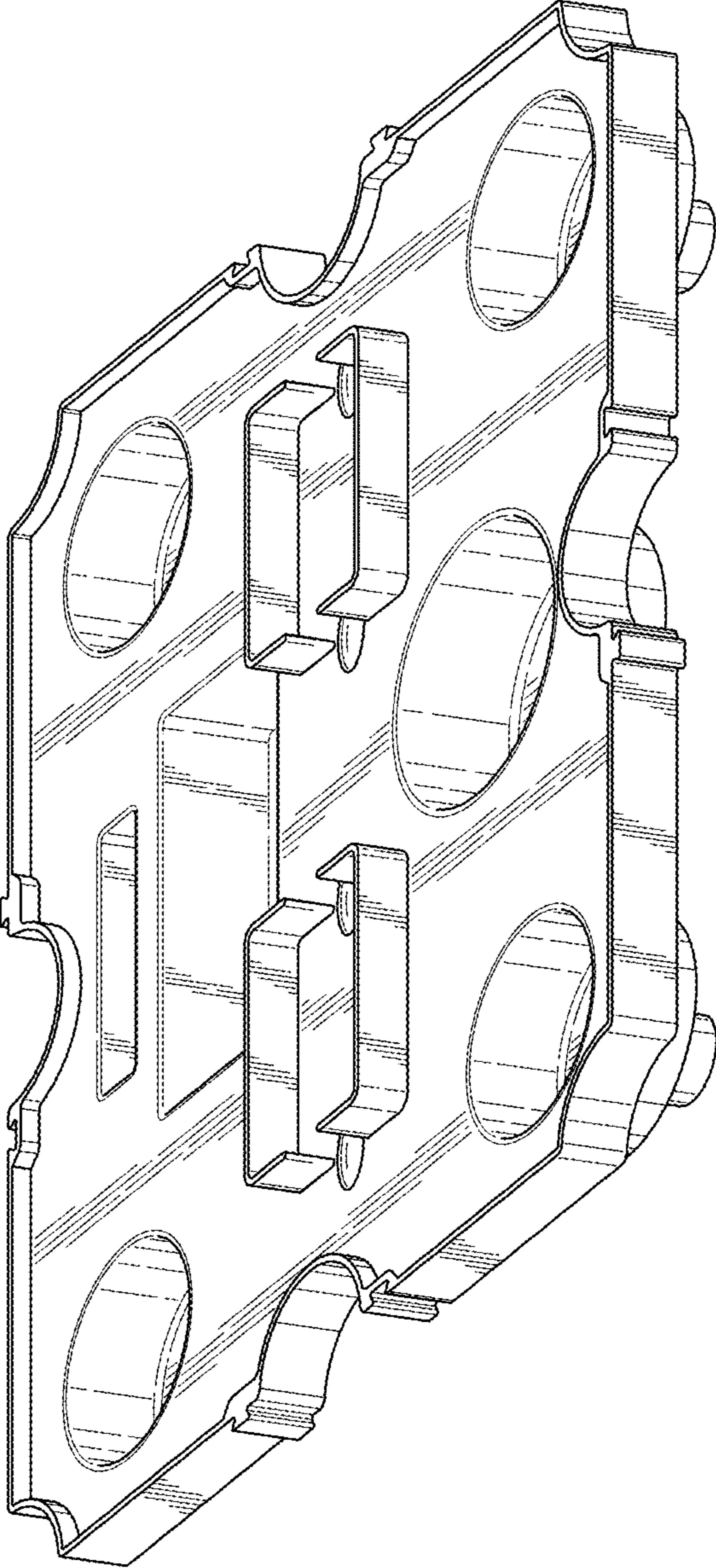


FIG. 1

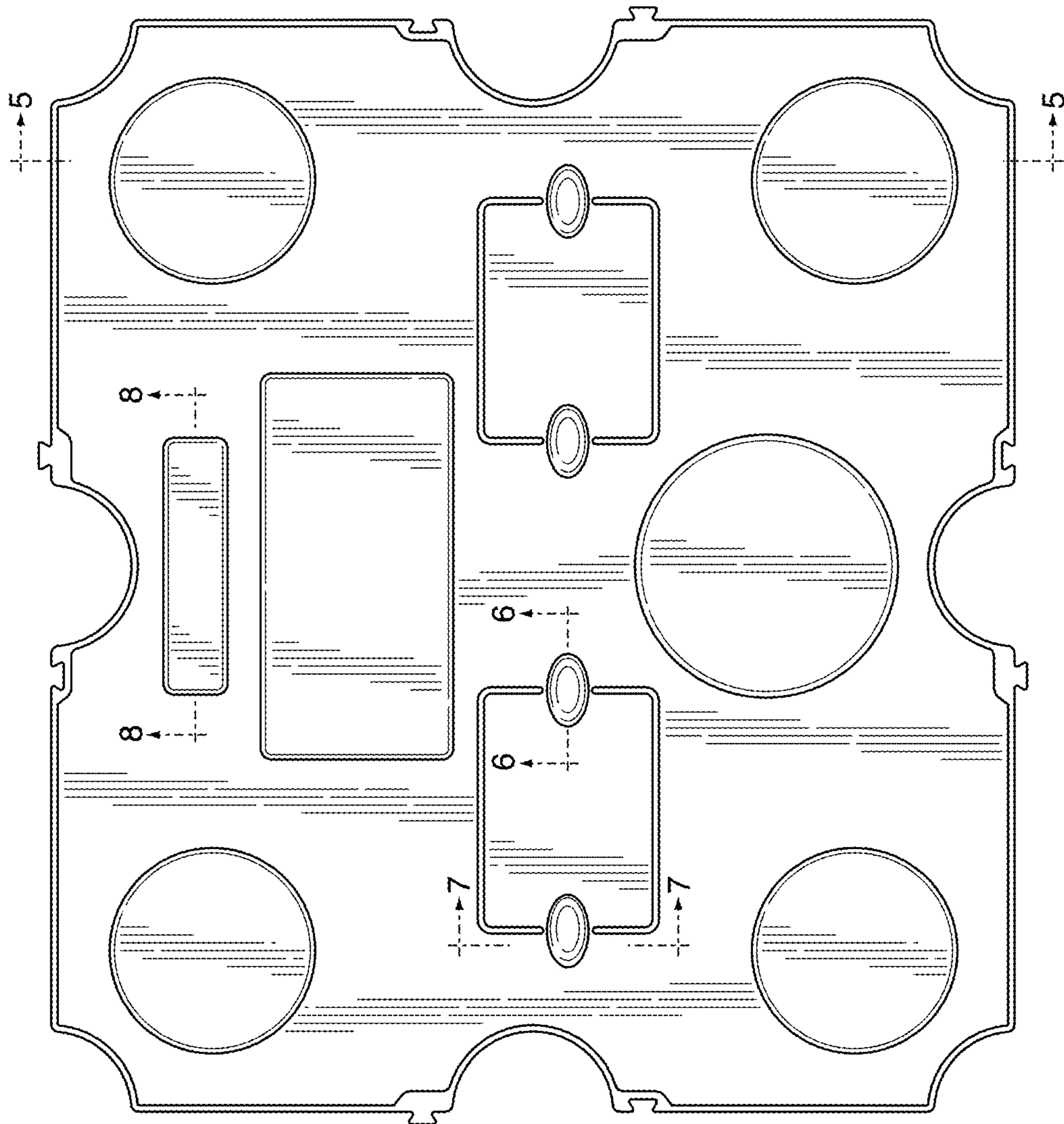


FIG. 2

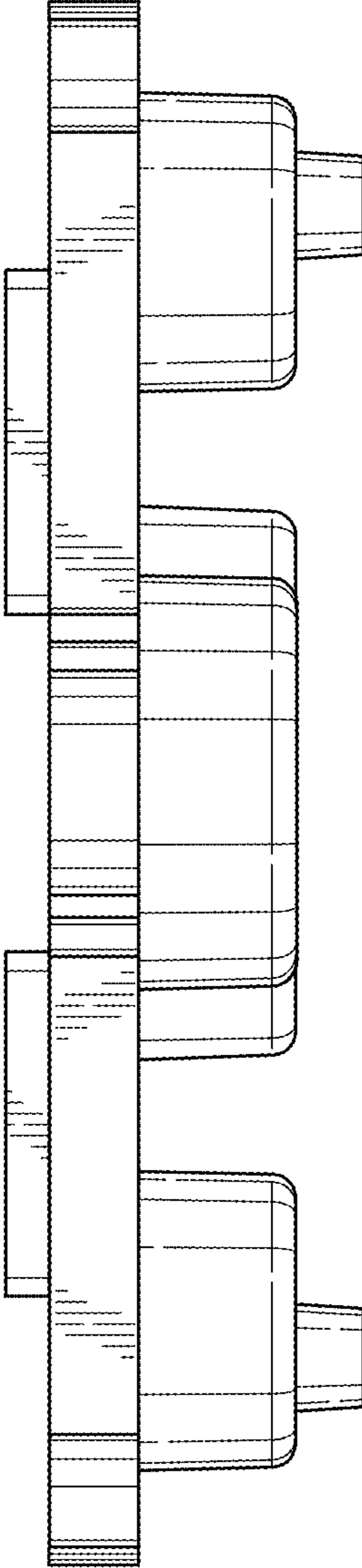


FIG. 3

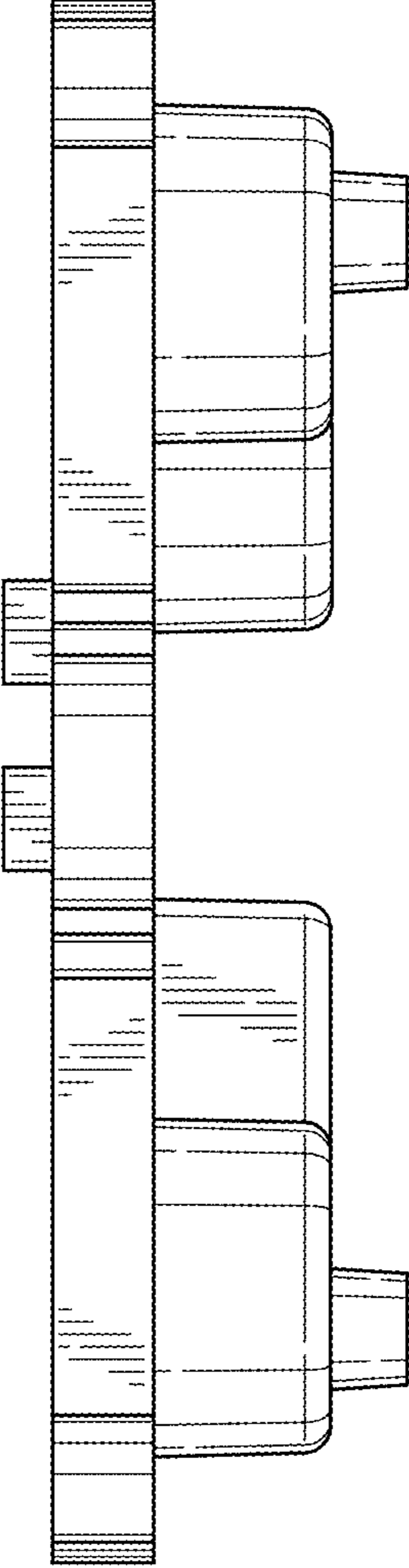


FIG. 4

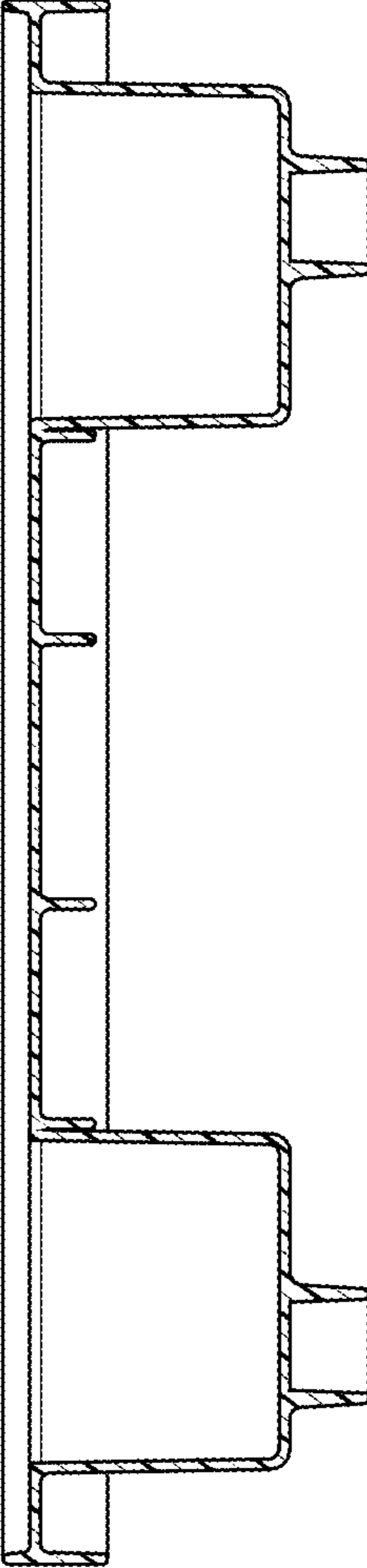


FIG. 5

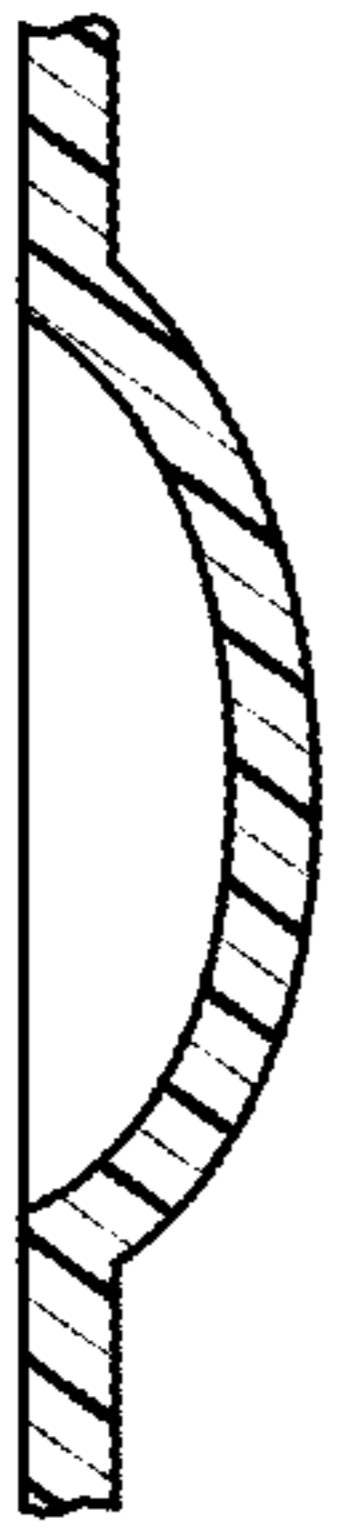


FIG. 6

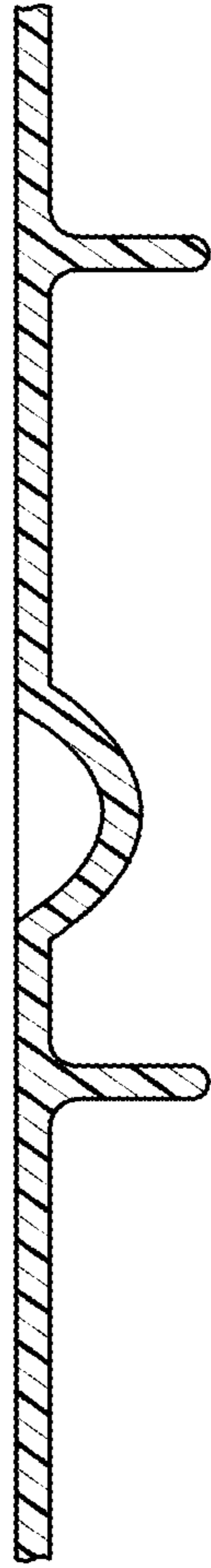


FIG. 7



FIG. 8

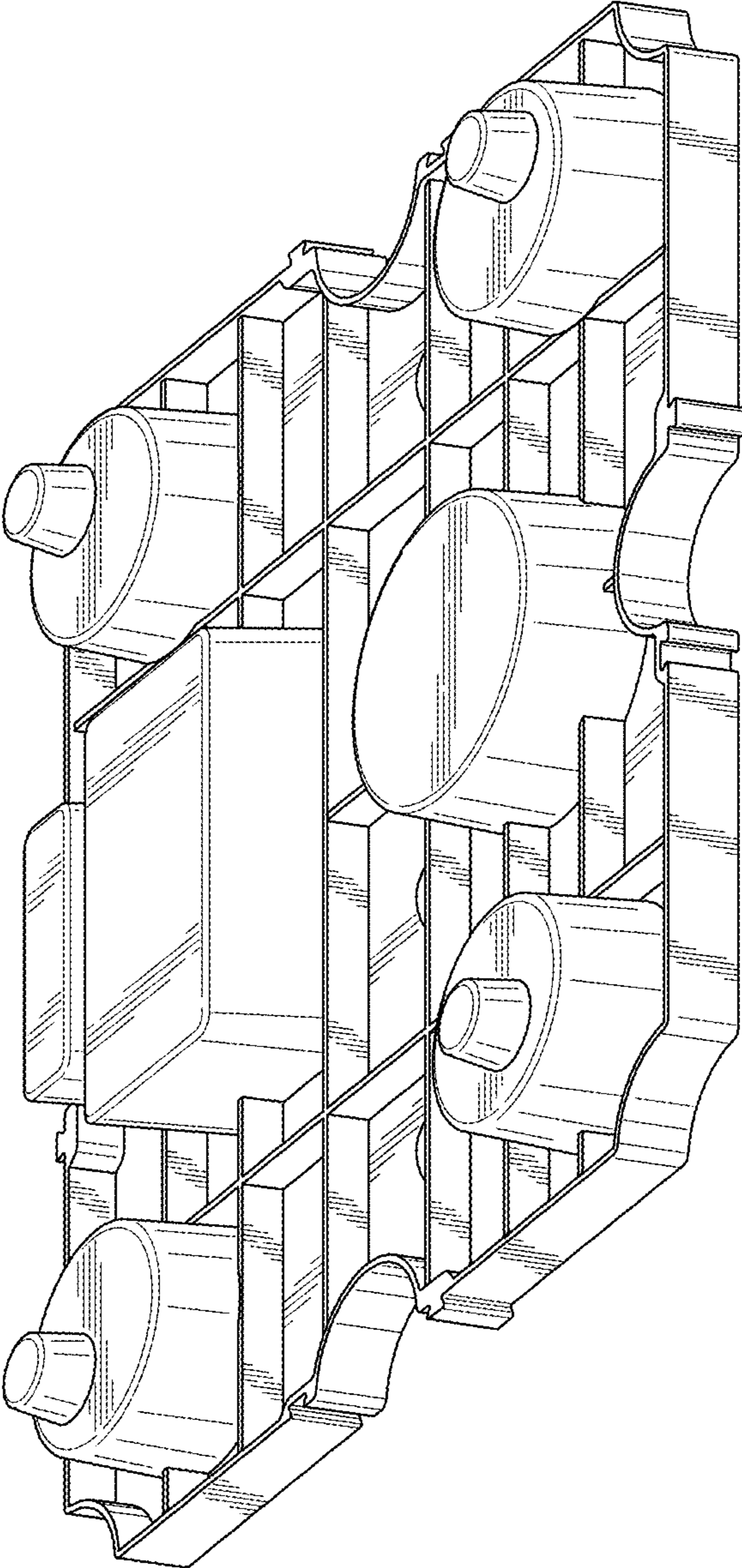


FIG. 9

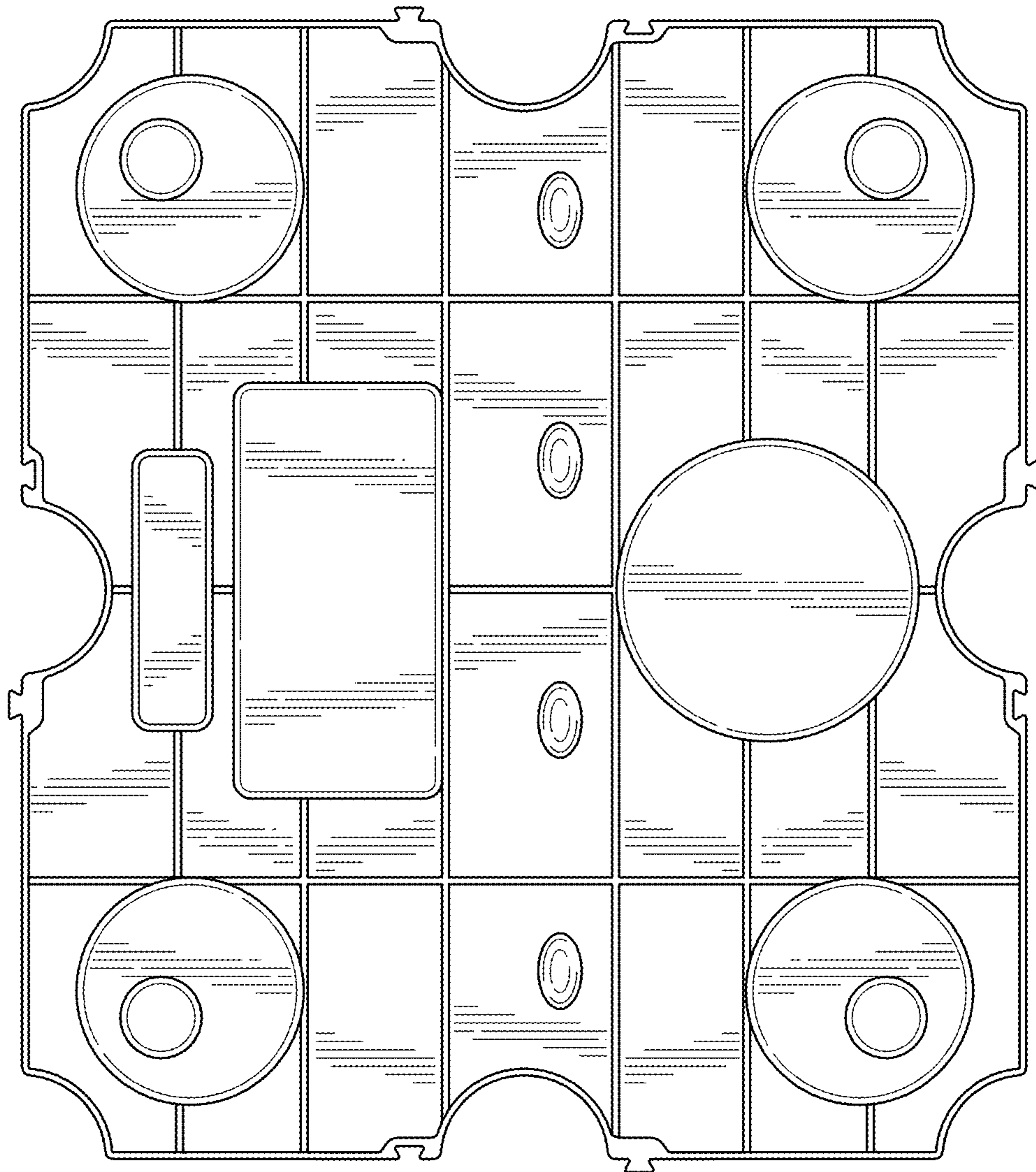


FIG. 10