



US00D769677S

(12) **United States Design Patent** (10) **Patent No.:** **US D769,677 S**  
**Shamoon** (45) **Date of Patent:** **\*\* Oct. 25, 2016**

(54) **SALAD SPINNER**  
(71) Applicant: **Ellis N. Shamoon**, Dallas, TX (US)  
(72) Inventor: **Ellis N. Shamoon**, Dallas, TX (US)  
(\*\*) Term: **14 Years**  
(21) Appl. No.: **29/499,200**  
(22) Filed: **Aug. 12, 2014**  
(51) **LOC (10) Cl.** ..... **07-04**  
(52) **U.S. Cl.**  
USPC ..... **D7/665**  
(58) **Field of Classification Search**  
USPC ..... D7/665, 672, 678, 391; 99/495, 505;  
83/856; 34/58  
CPC ..... B26D 3/26; A47J 43/24; A47J 43/04  
See application file for complete search history.

(56) **References Cited**  
**U.S. PATENT DOCUMENTS**  
D411,720 S \* 6/1999 Lillelund ..... D7/665  
6,018,883 A 2/2000 Mulhauser  
D504,053 S 4/2005 Bertulis  
D506,903 S \* 7/2005 Lee ..... D7/665  
D515,865 S 2/2006 Kim  
D530,989 S 10/2006 Mellen et al.  
D538,604 S \* 3/2007 de Groote ..... D7/665  
D538,605 S \* 3/2007 Wan ..... D7/665  
D572,984 S \* 7/2008 Jossem ..... D7/665  
D579,279 S \* 10/2008 Chan ..... D7/384  
D603,226 S \* 11/2009 Hood ..... D7/629  
D608,603 S \* 1/2010 Hauser ..... D7/665  
D629,264 S 12/2010 Curtin  
D655,605 S 3/2012 Baughman  
D672,211 S 12/2012 Nie  
D682,048 S \* 5/2013 Perry ..... D7/665  
8,539,693 B2 9/2013 Pery et al.  
D697,768 S \* 1/2014 Wong ..... D7/678  
8,667,878 B1 \* 3/2014 Lu ..... A47J 43/25  
83/856  
D706,075 S 6/2014 Houser  
D720,957 S \* 1/2015 Gualini ..... D7/383  
2005/0166768 A1 \* 8/2005 Porat ..... A47J 43/24  
99/495  
2005/0204935 A1 \* 9/2005 Siegel ..... A47J 43/24  
99/495  
2006/0207441 A1 \* 9/2006 Mulhauser ..... A47J 43/24  
99/495  
2007/0256315 A1 \* 11/2007 Wong ..... A47J 43/24  
34/58

2008/0210103 A1 \* 9/2008 Wan ..... F26B 5/08  
99/495  
2008/0223226 A1 \* 9/2008 Holcomb ..... A47J 42/04  
99/495  
2009/0098259 A1 4/2009 McEllen  
2009/0211460 A1 \* 8/2009 So ..... A47J 43/24  
99/495  
2010/0083847 A1 \* 4/2010 Kirschbaum ..... A47J 43/24  
99/485  
2010/0139503 A1 \* 6/2010 Curtin ..... F26B 5/08  
99/501  
2010/0251906 A1 \* 10/2010 Repp ..... A47J 43/24  
99/495  
2014/0261018 A1 \* 9/2014 Katz ..... A47J 43/24  
99/495  
2014/0283692 A1 \* 9/2014 So ..... A47J 43/24  
99/495  
2014/0338546 A1 \* 11/2014 Repp ..... A47J 43/24  
99/495

**OTHER PUBLICATIONS**

Dexas International, Ltd., Presentation photo 1 of Salad Spinner Product #1, published in USA as of Sep. 1, 2012.  
Dexas International, Ltd., Presentation photo 2 of Salad Spinner Product #1, published in USA as of Sep. 1, 2012.

\* cited by examiner

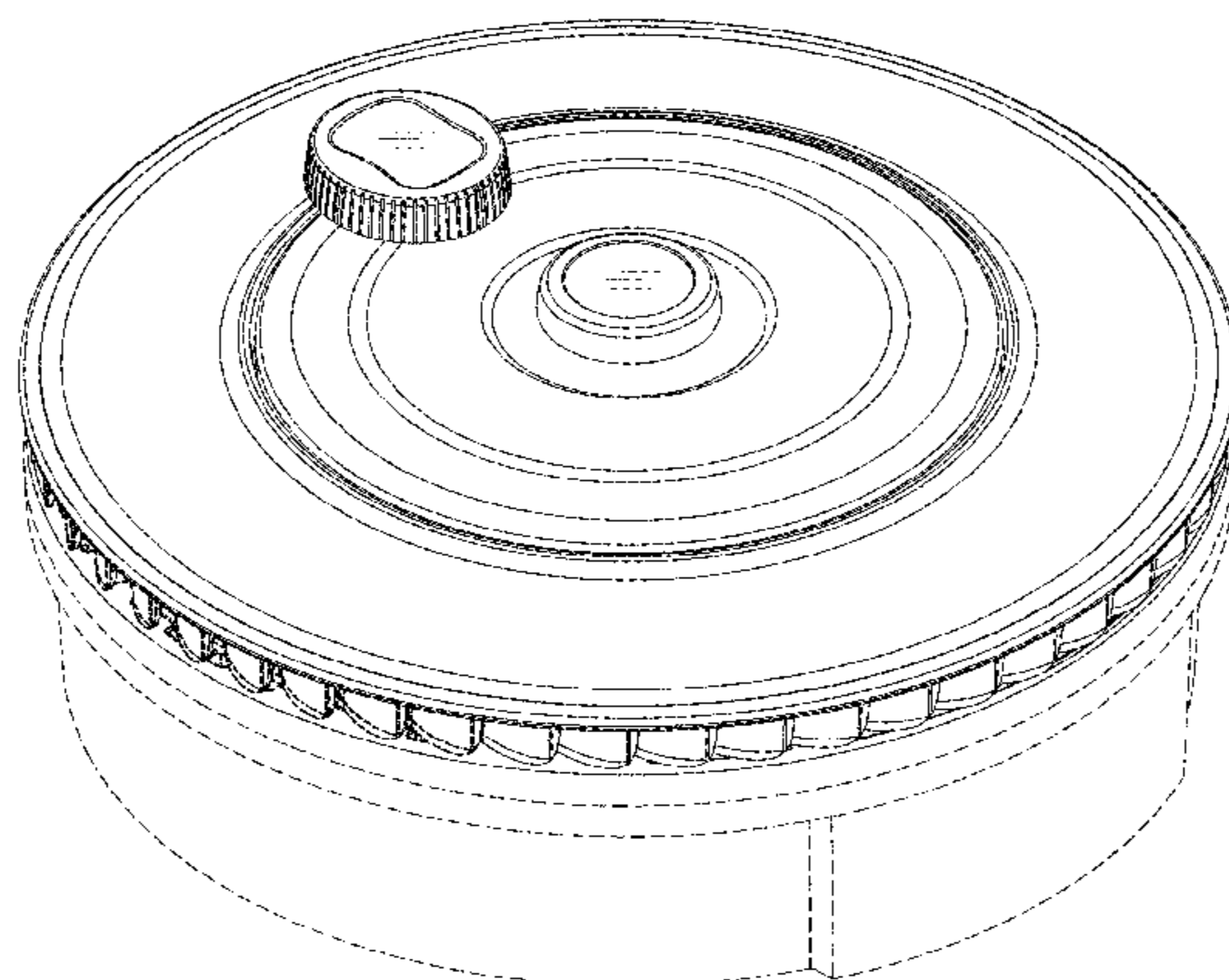
*Primary Examiner* — Rosemary K Tarcza  
*Assistant Examiner* — James Thorn, Sr.  
(74) *Attorney, Agent, or Firm* — Daniel V. Thompson

(57) **CLAIM**  
The ornamental design for a salad spinner, as shown and described.

**DESCRIPTION**

FIG. 1 is a top-facing perspective view of the salad spinner showing my new design;  
FIG. 2 is a left-side elevational view thereof;  
FIG. 3 is a right-side elevational view thereof;  
FIG. 4 is a front elevational view thereof;  
FIG. 5 is a rear elevational view thereof;  
FIG. 6 is a top plan view thereof; and,  
FIG. 7 is a bottom plan view thereof.  
The broken line showing of FIGS. 1-5 and 7 is for the purpose of illustrating portions of the article and forms no part of the claimed design.

**1 Claim, 7 Drawing Sheets**



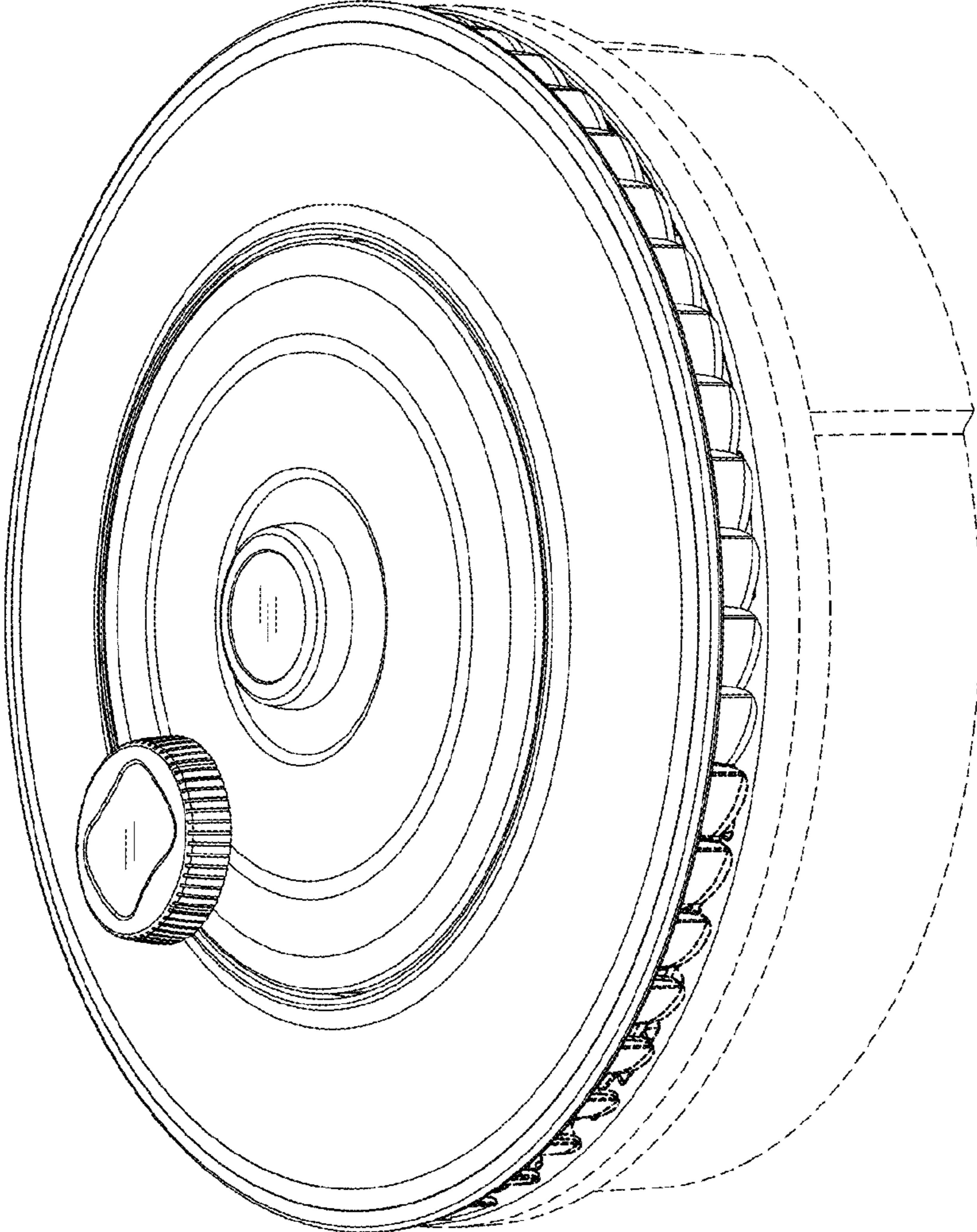


Fig. 1

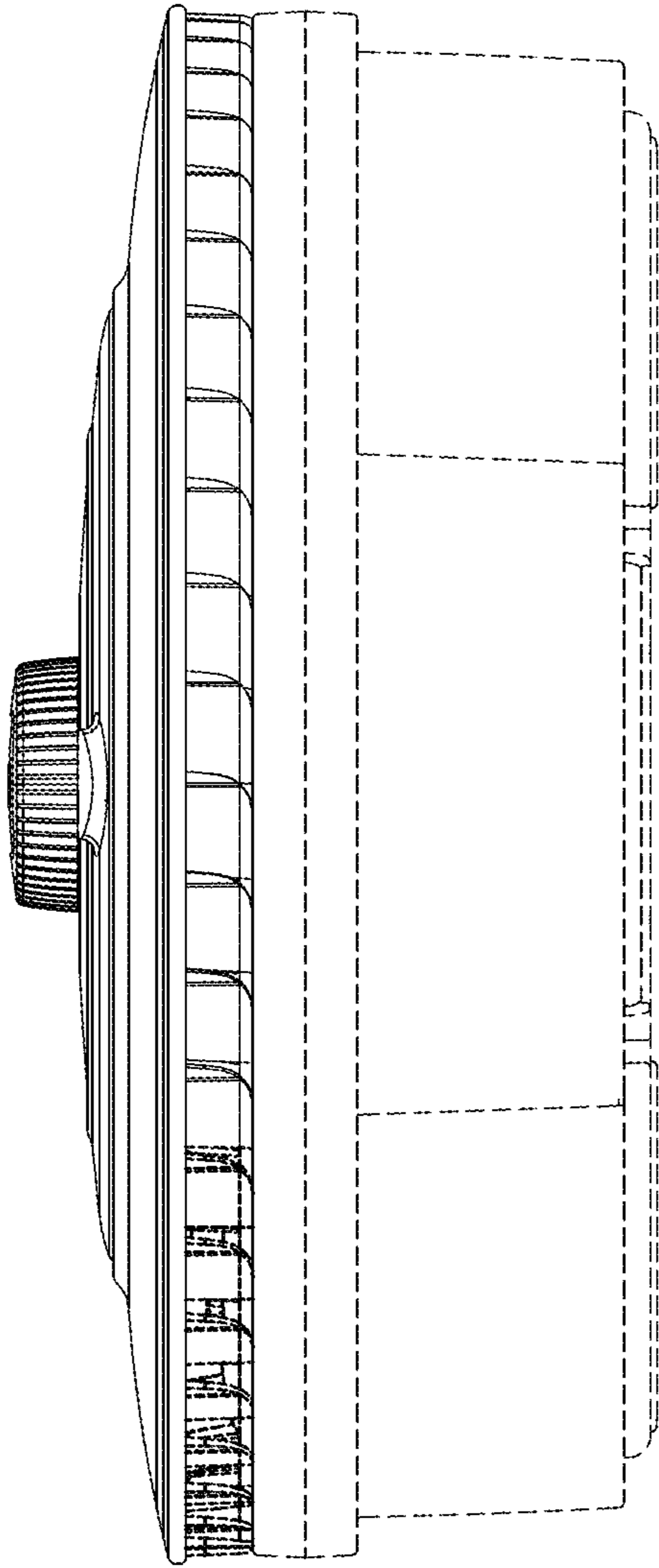


Fig. 2

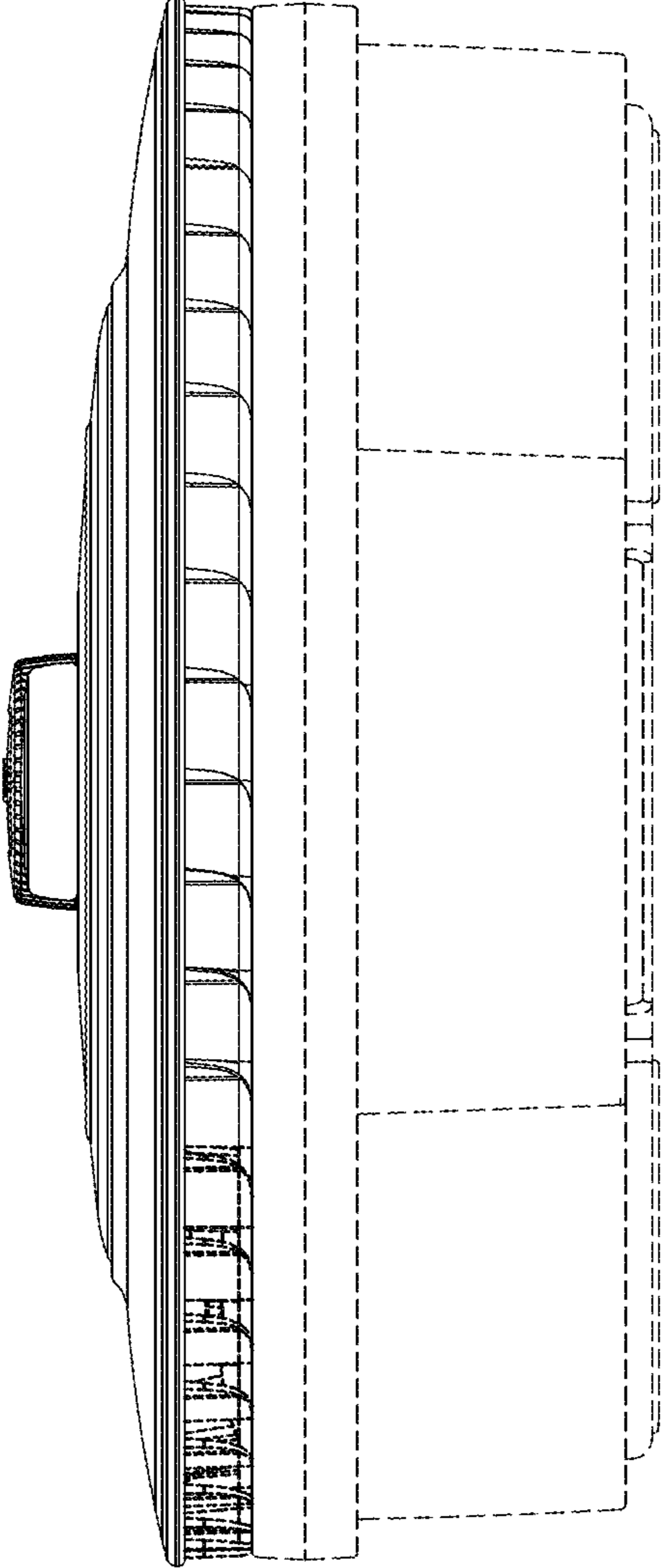


Fig. 3

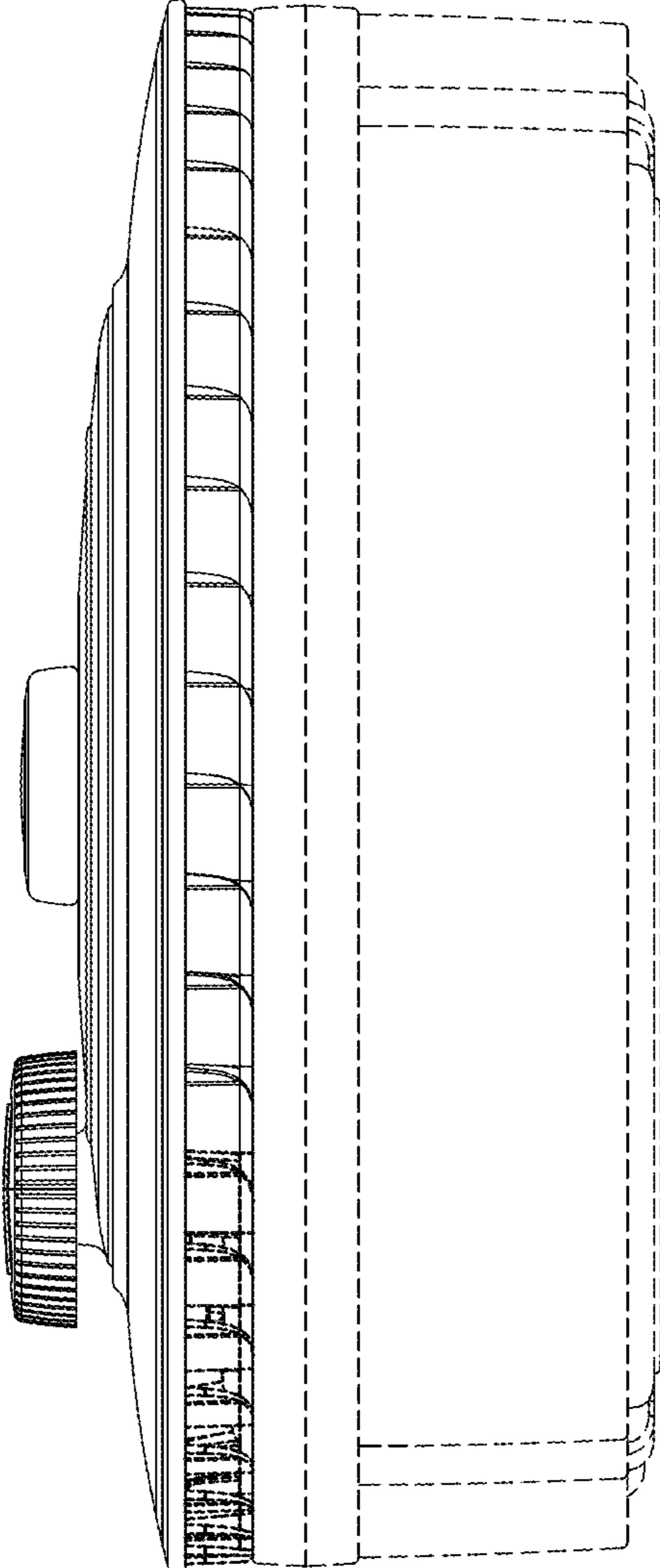


Fig. 4

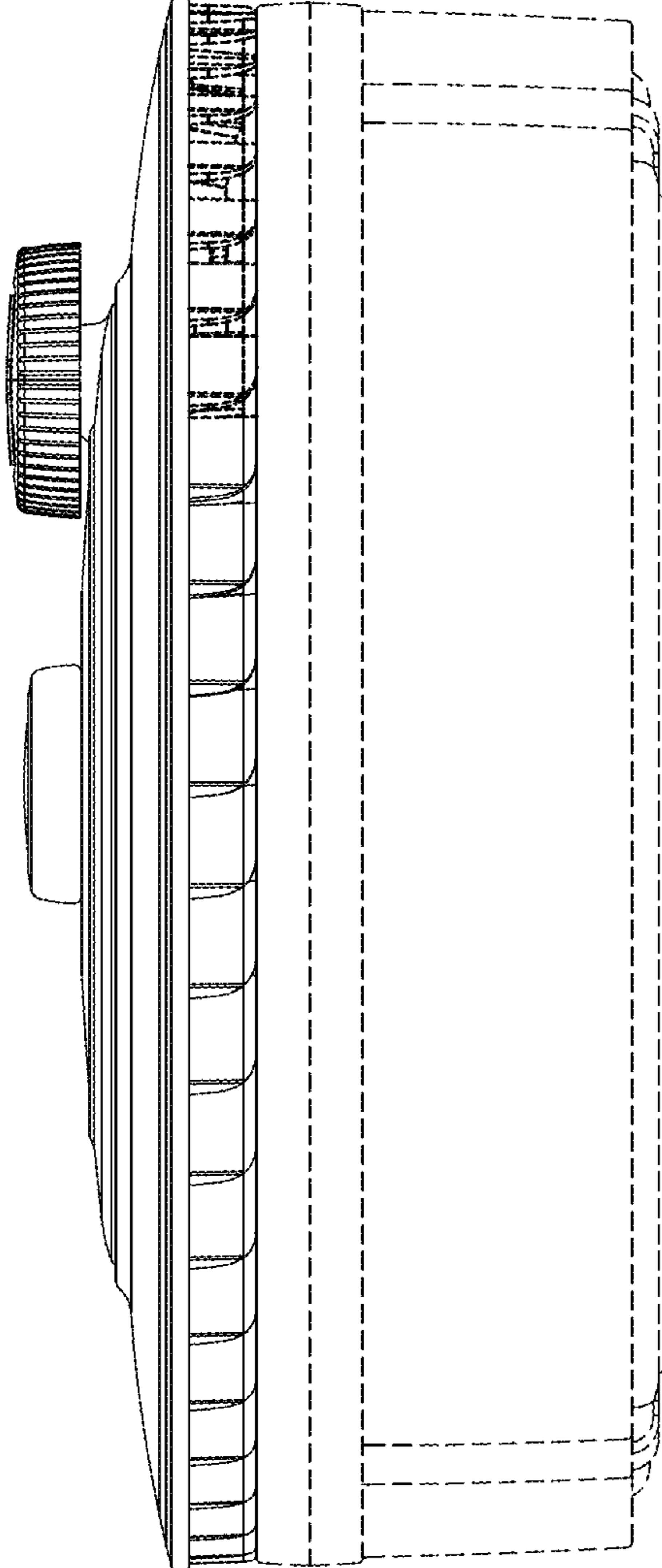


Fig. 5

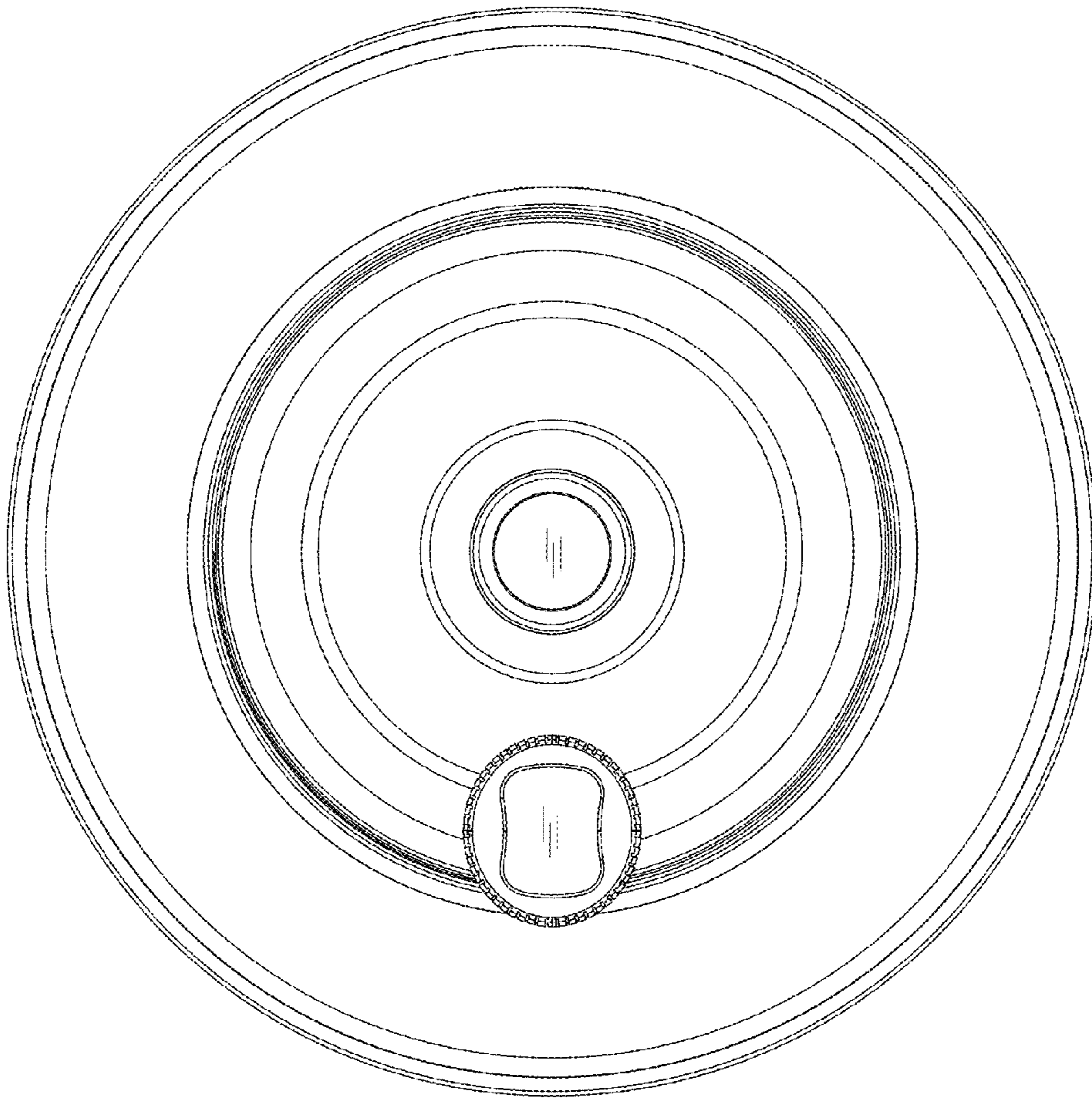


Fig. 6

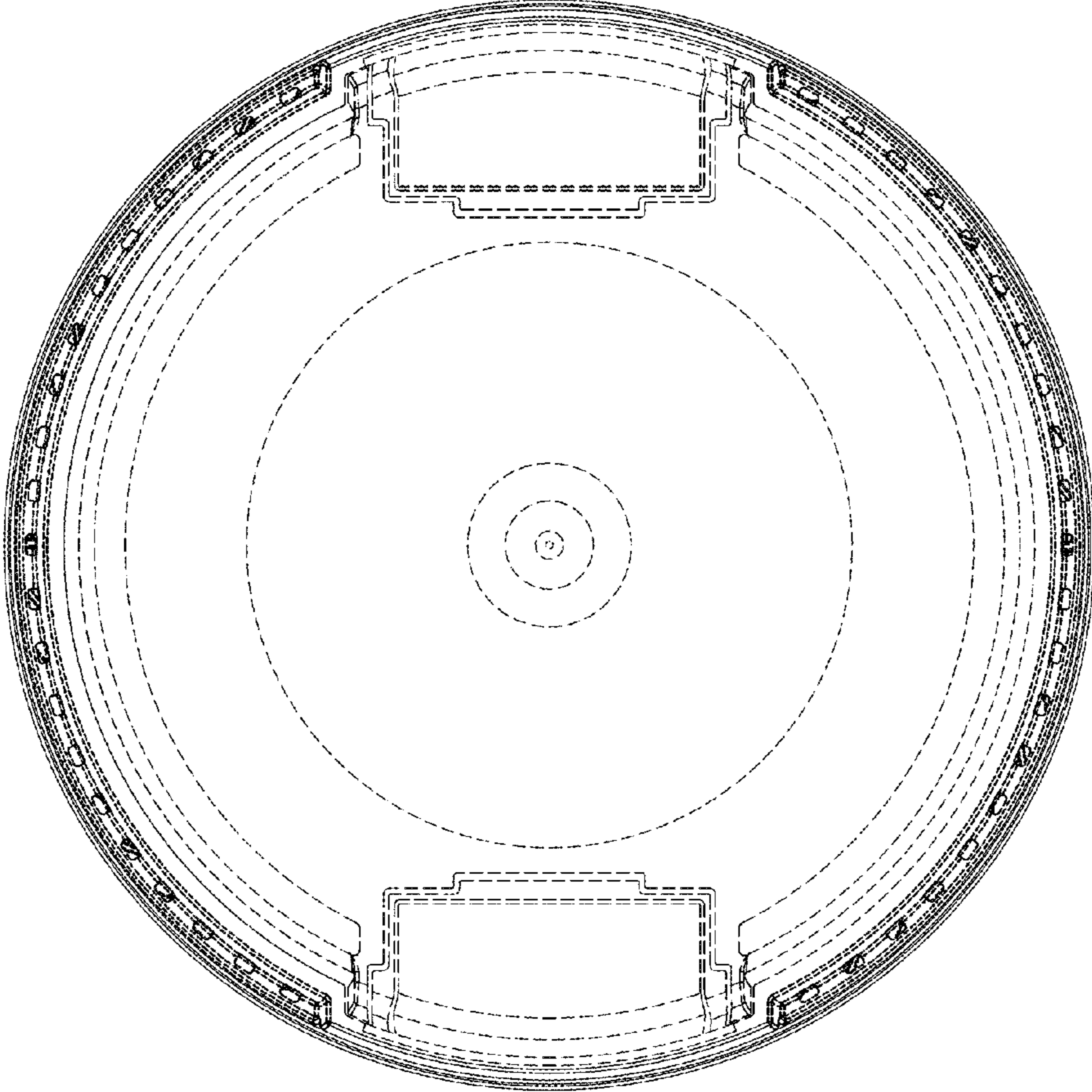


Fig. 7