



US00D769675S

(12) **United States Design Patent**
Chavez

(10) **Patent No.:** **US D769,675 S**

(45) **Date of Patent:** **** Oct. 25, 2016**

(54) **ROOM SERVICE TRAY**

Primary Examiner — Kelley Donnelly

(74) *Attorney, Agent, or Firm* — Fay Sharpe LLP

(71) Applicant: **Custom Products Corporation,**
Glenwillow, OH (US)

(72) Inventor: **Shelly M. Chavez,** Painesville, OH
(US)

(57) **CLAIM**

The ornamental design for a room service tray, as shown and described.

(73) Assignee: **Custom Products Corporation,**
Glenwillow, OH (US)

DESCRIPTION

(**) Term: **14 Years**

FIG. 1 is a front elevation view of the room service tray of a first embodiment showing my new design;

(21) Appl. No.: **29/520,114**

FIG. 2 is a front elevation view of the room service tray of FIG. 1 wherein the top lid and base are separated from one another;

(22) Filed: **Mar. 11, 2015**

FIG. 3 is a front end view thereof of the room service tray of FIG. 1;

(51) **LOC (10) Cl.** **07-01**

(52) **U.S. Cl.**
USPC **D7/553.5**

FIG. 4 is a top plan view thereof of the room service tray of FIG. 1;

(58) **Field of Classification Search**
USPC D7/550.1, 552.2, 553.2, 553.5, 554.3,
D7/601-602, 397, 401.1; D9/415, 418,
D9/759-761

FIG. 5 a side plan view thereof of the room service tray of FIG. 1;

CPC B65D 1/243; B65D 2501/24019;
B65D 2501/24165; B65D 11/18; B65D 85/30
See application file for complete search history.

FIG. 6 is a bottom plan view of the room service tray of FIG. 1;

(56) **References Cited**

U.S. PATENT DOCUMENTS

4,043,452	A *	8/1977	Ross	F16B 21/186
					206/230
D374,798	S *	10/1996	Pippins, Jr.	D6/406.3
6,039,181	A *	3/2000	Whiteside	B65D 71/125
					206/427
D487,673	S *	3/2004	Mishan	D7/553.4
D618,861	S *	6/2010	Bahnean	D30/130
D680,353	S *	4/2013	Hawkins	D6/682.4
D747,602	S *	1/2016	Upchurch	D3/203.2
D750,171	S *	2/2016	Zwerner	D19/77
D758,191	S *	6/2016	Tu	D9/414

FIG. 7 is a front elevation view of the room service tray of a second embodiment showing my new design;

FIG. 8 is a front elevation view of the room service tray of FIG. 7 wherein the top lid and base are separated from one another;

FIG. 9 is a front end view thereof of the room service tray of FIG. 7;

FIG. 10 is a top plan view thereof of the room service tray of FIG. 7;

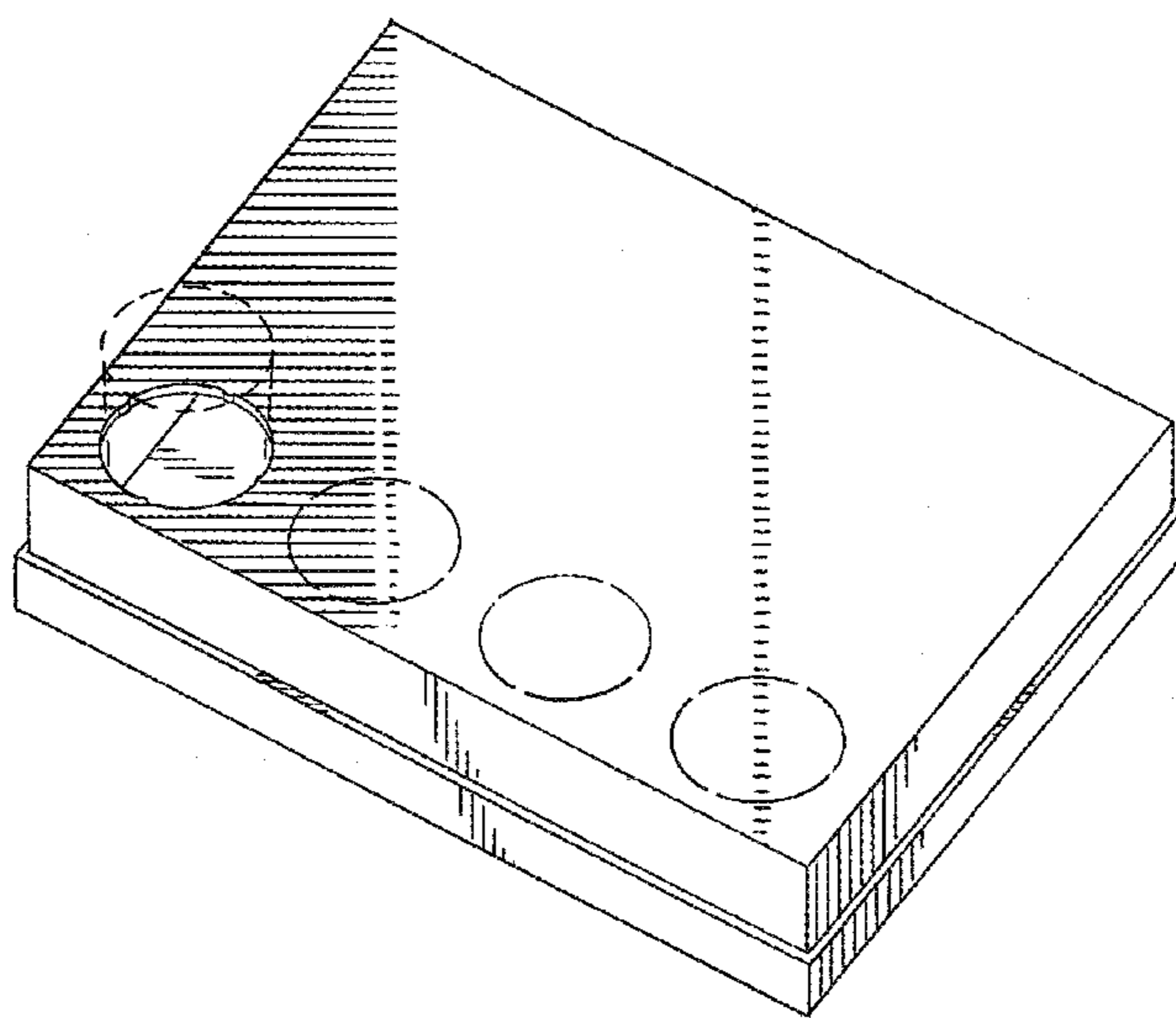
FIG. 11 a side plan view thereof of the room service tray of FIG. 7; and,

FIG. 12 is a bottom plan view of the room service tray of FIG. 7.

The broken lines showing is included for the purpose of illustrating environment and forms no part of the claimed design.

* cited by examiner

1 Claim, 8 Drawing Sheets



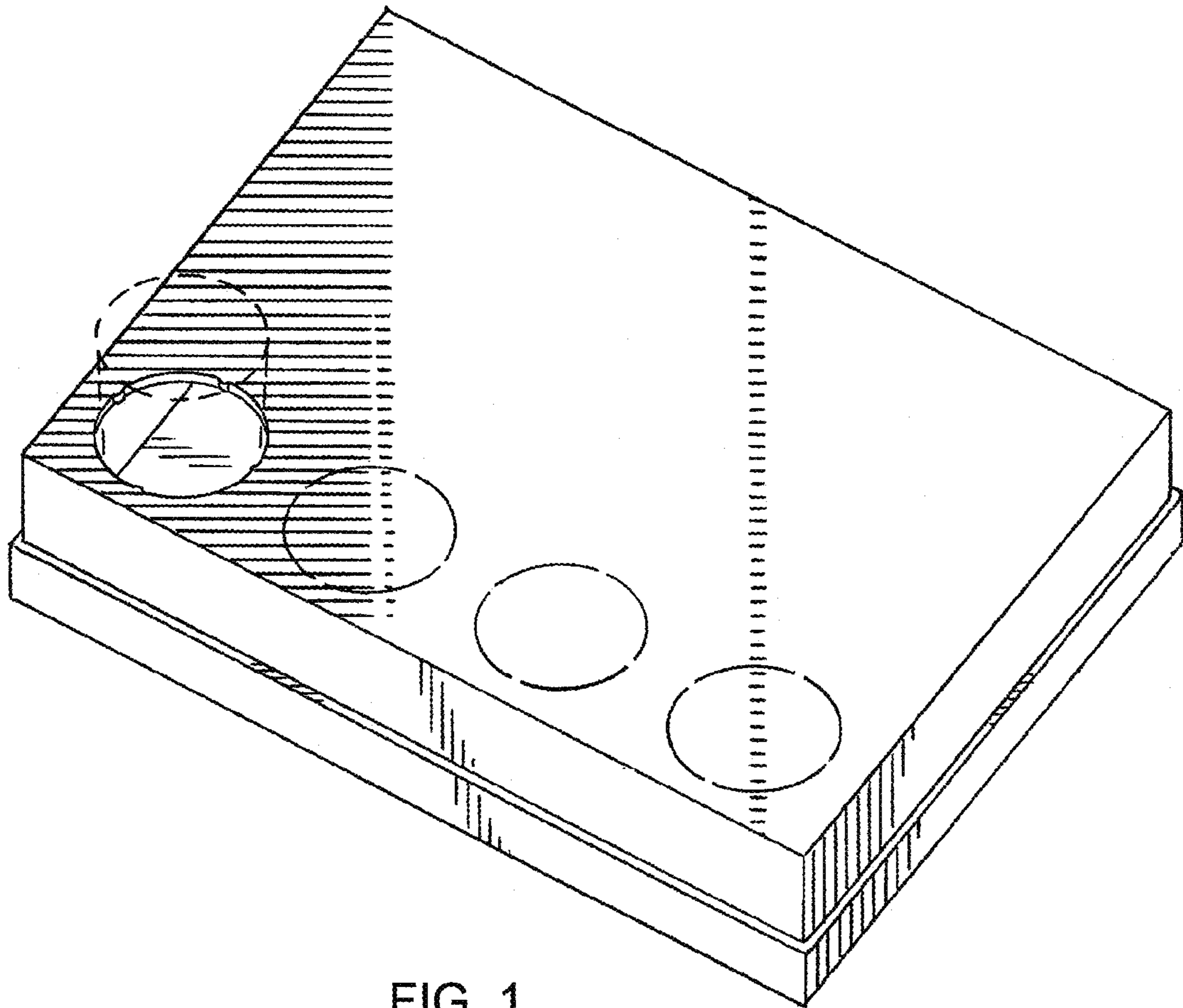


FIG. 1

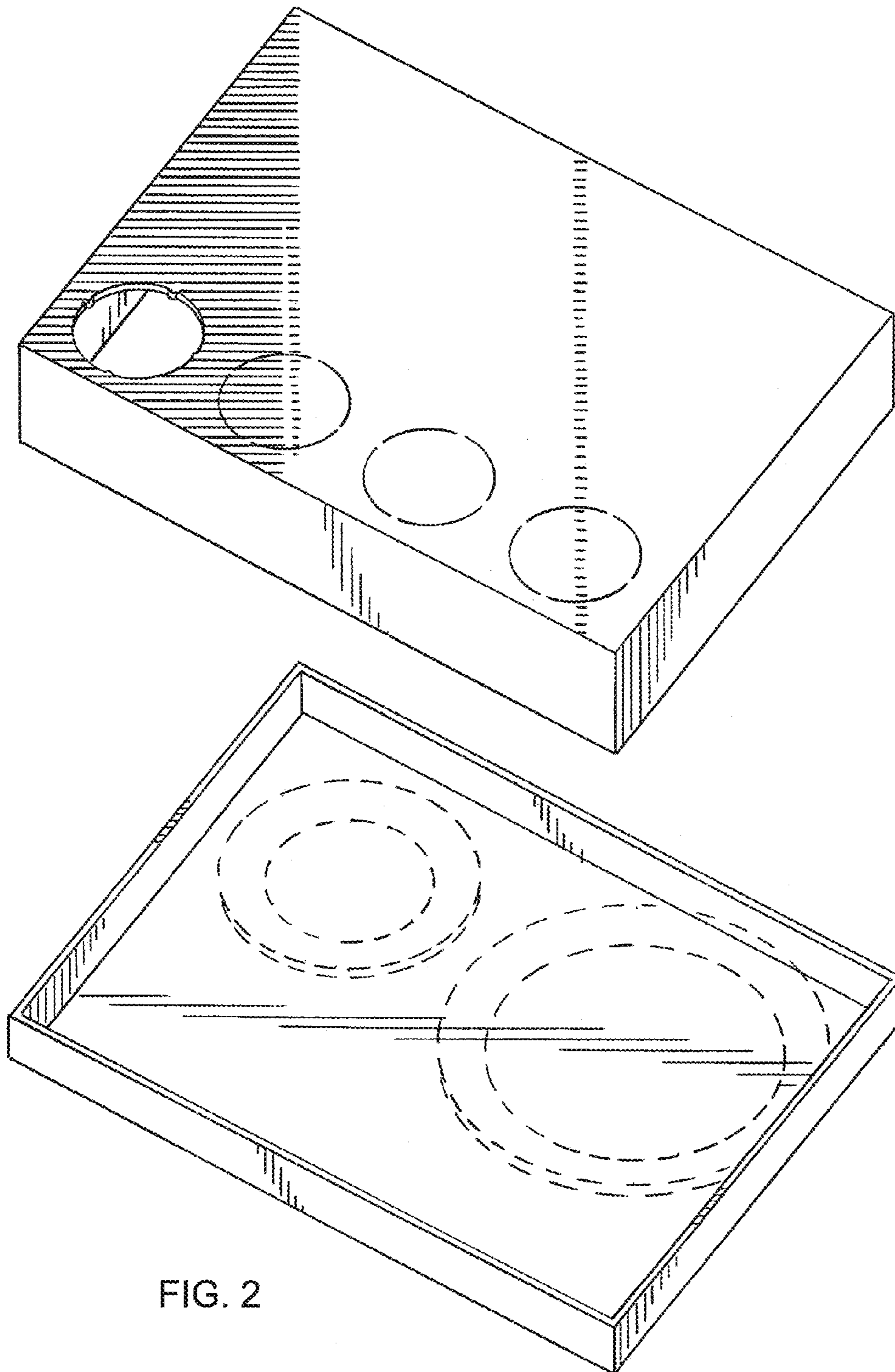


FIG. 2

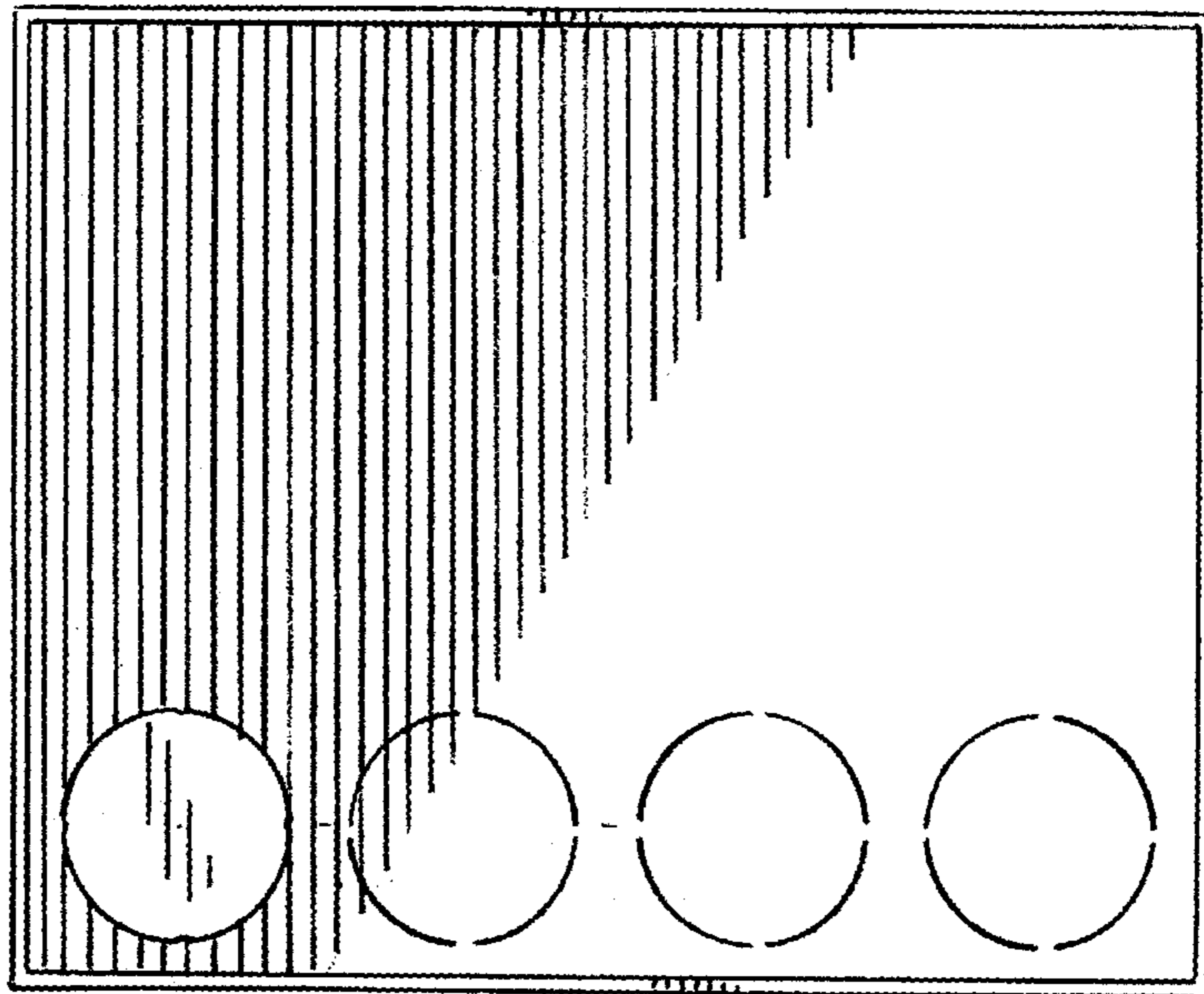


FIG. 4

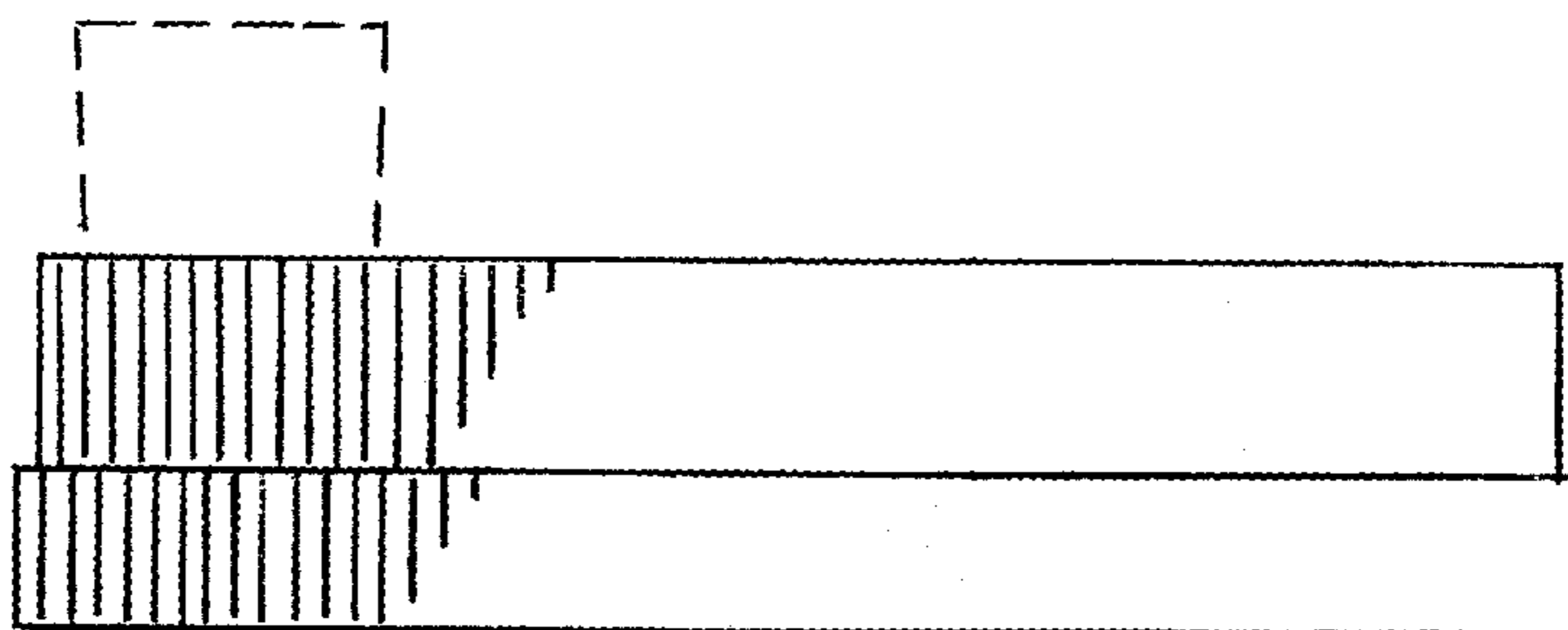


FIG. 3

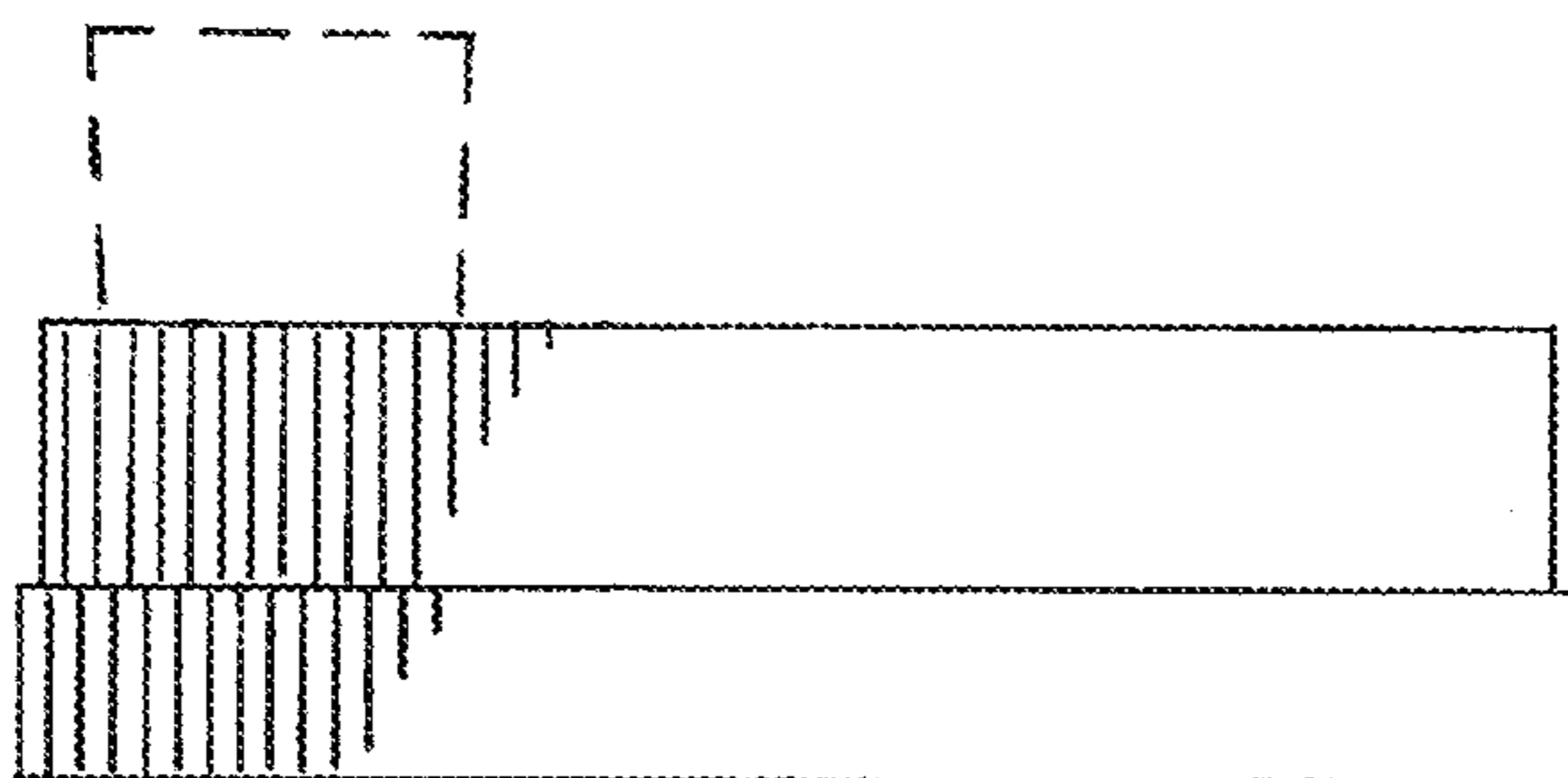


FIG. 5

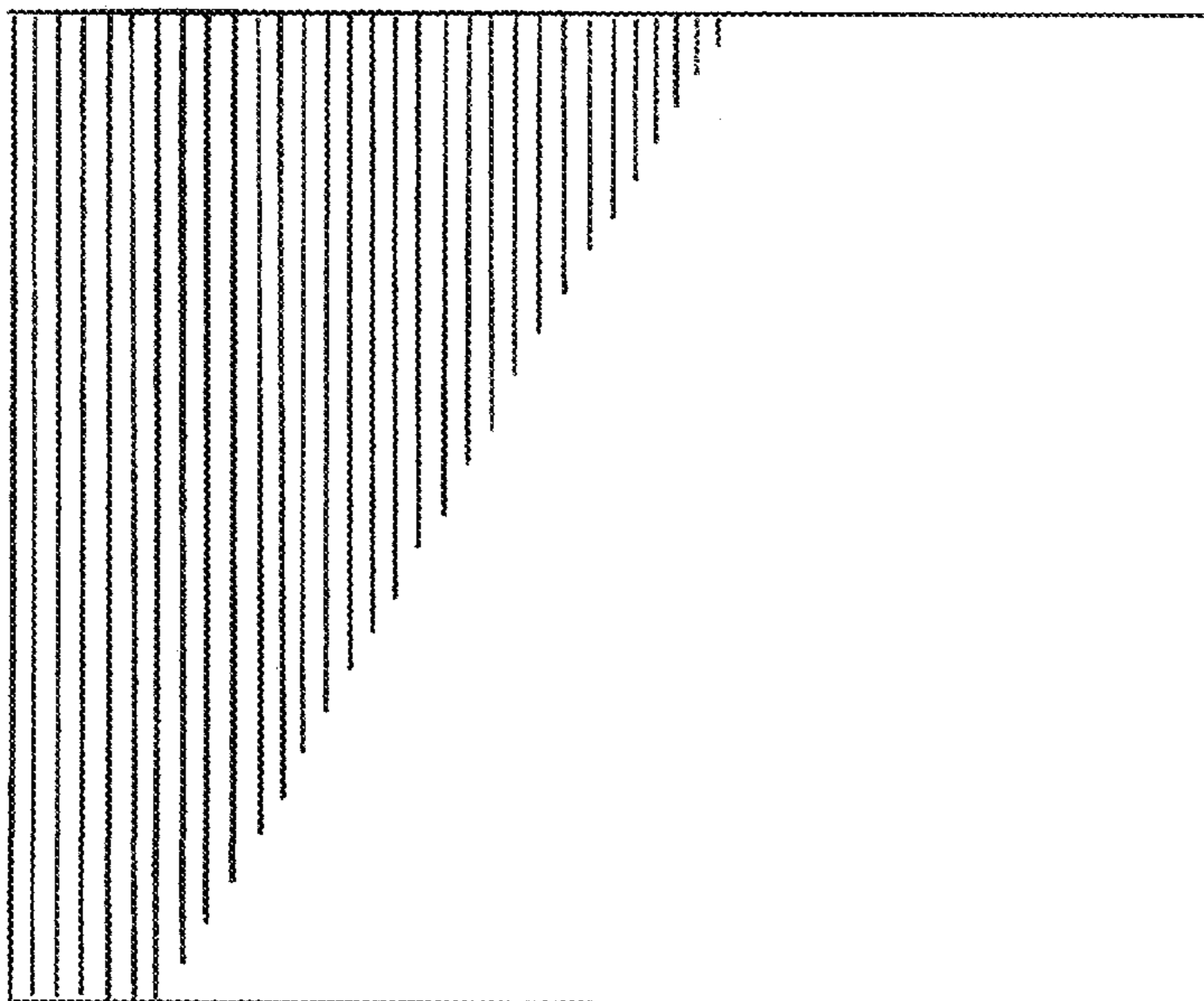


FIG. 6

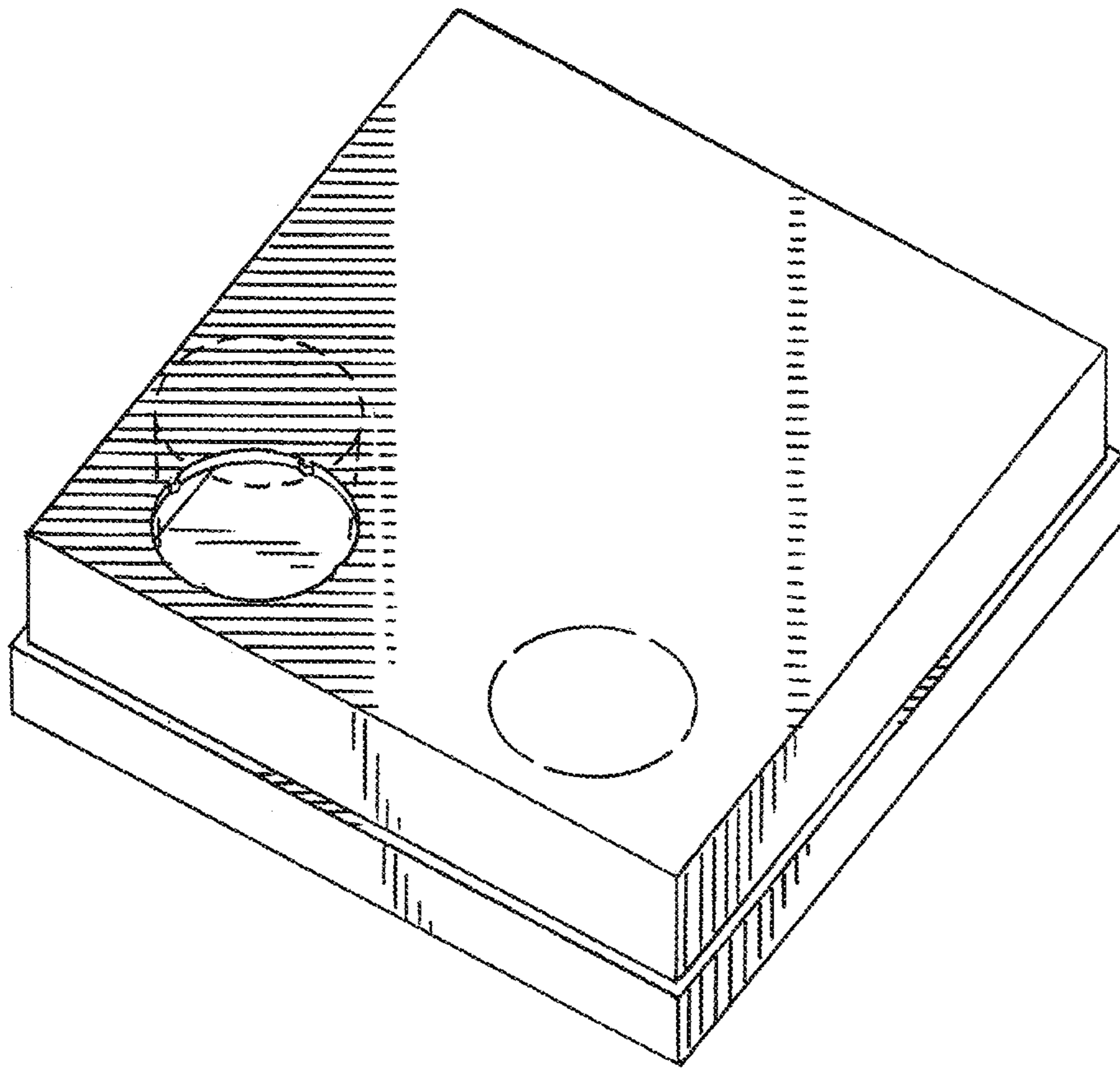


FIG. 7

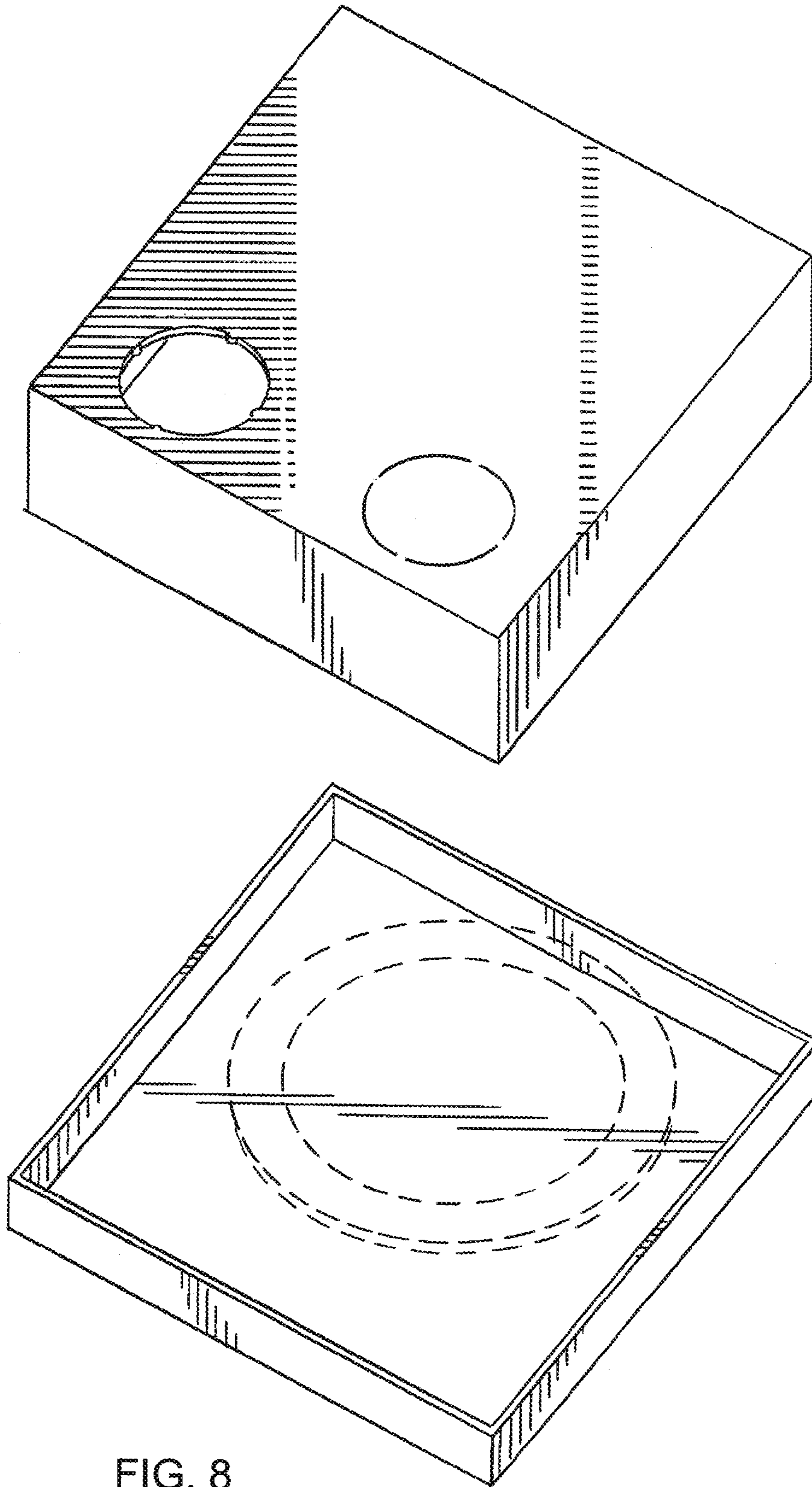


FIG. 8

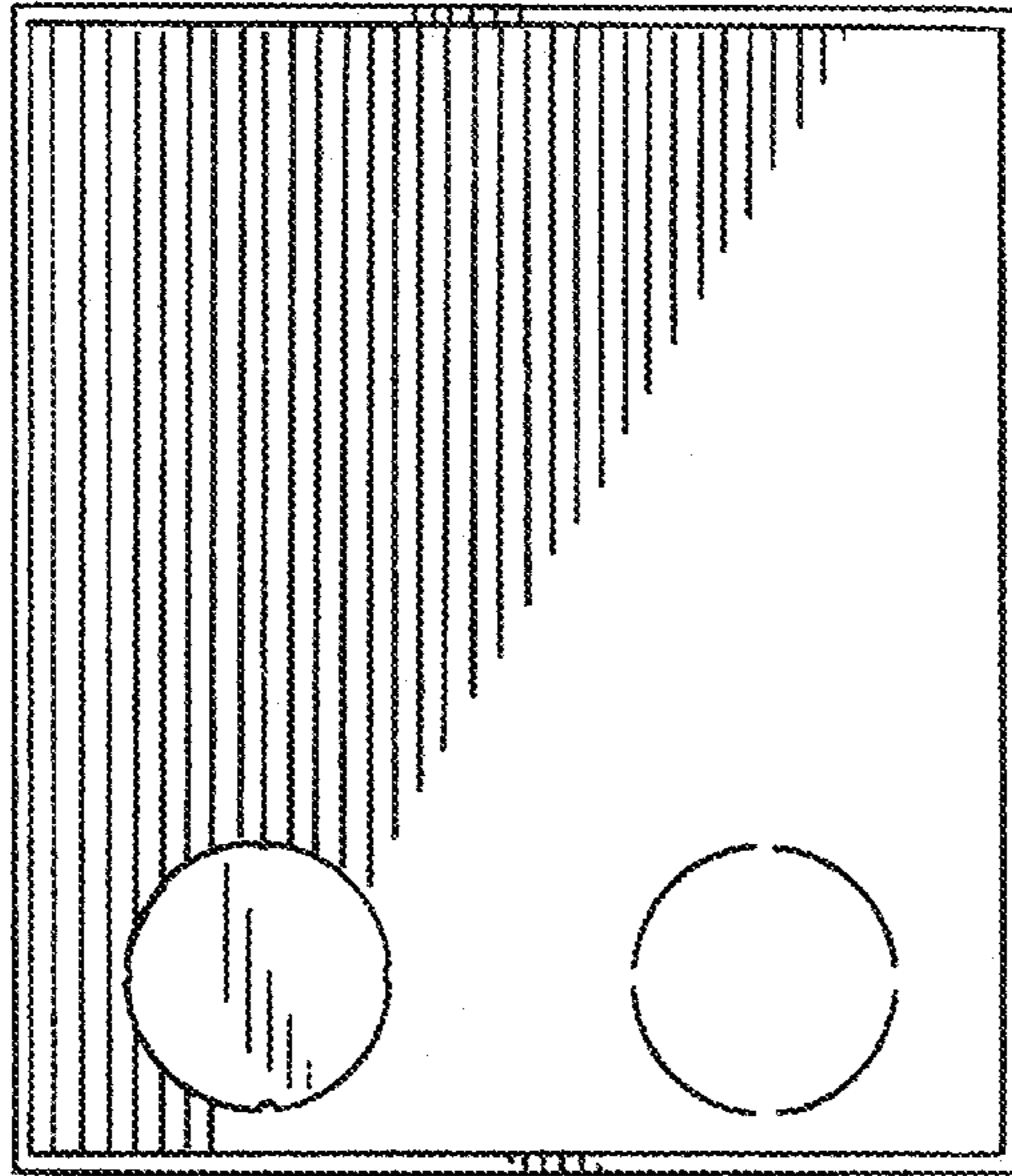


FIG. 10

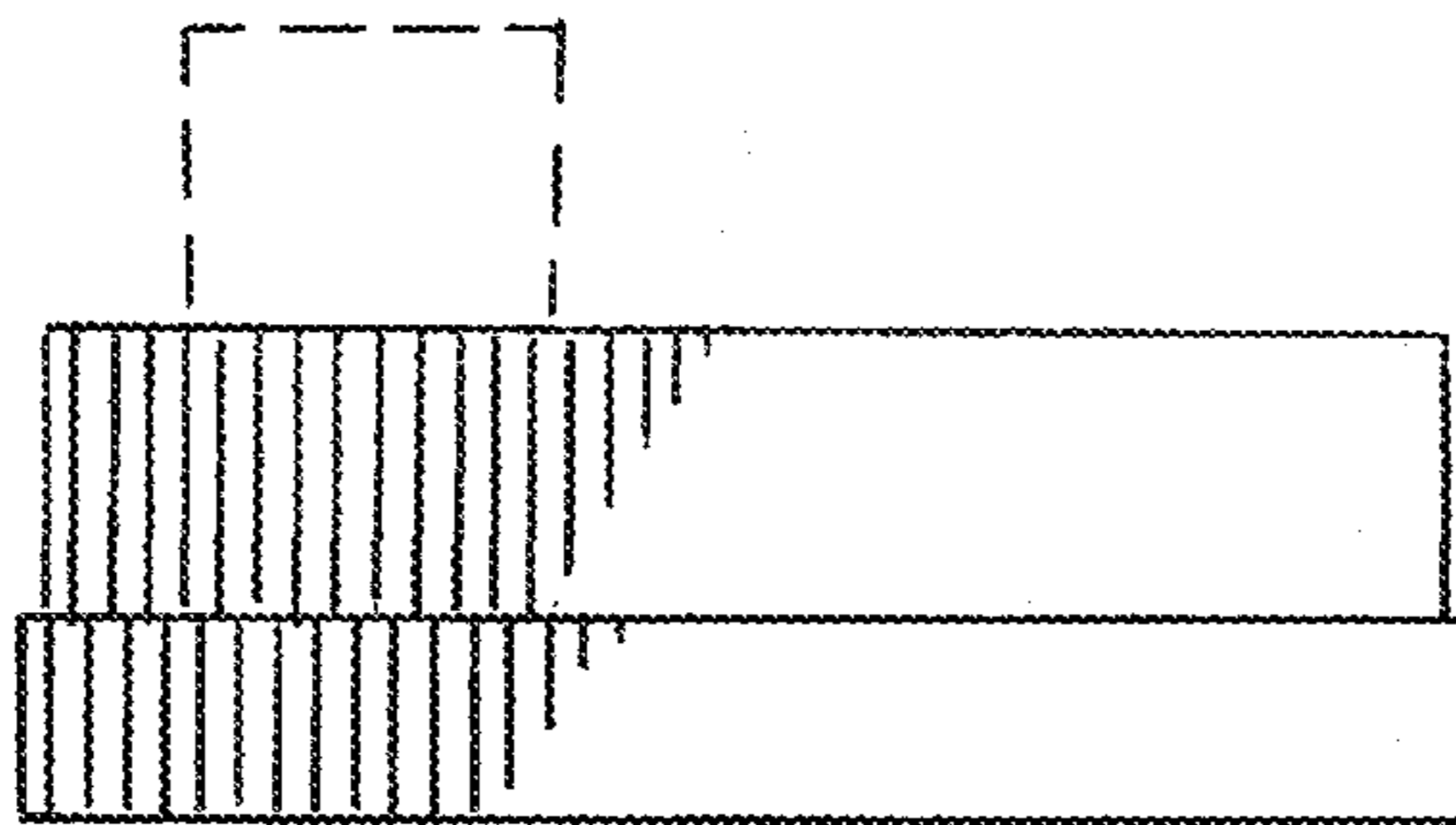


FIG. 9

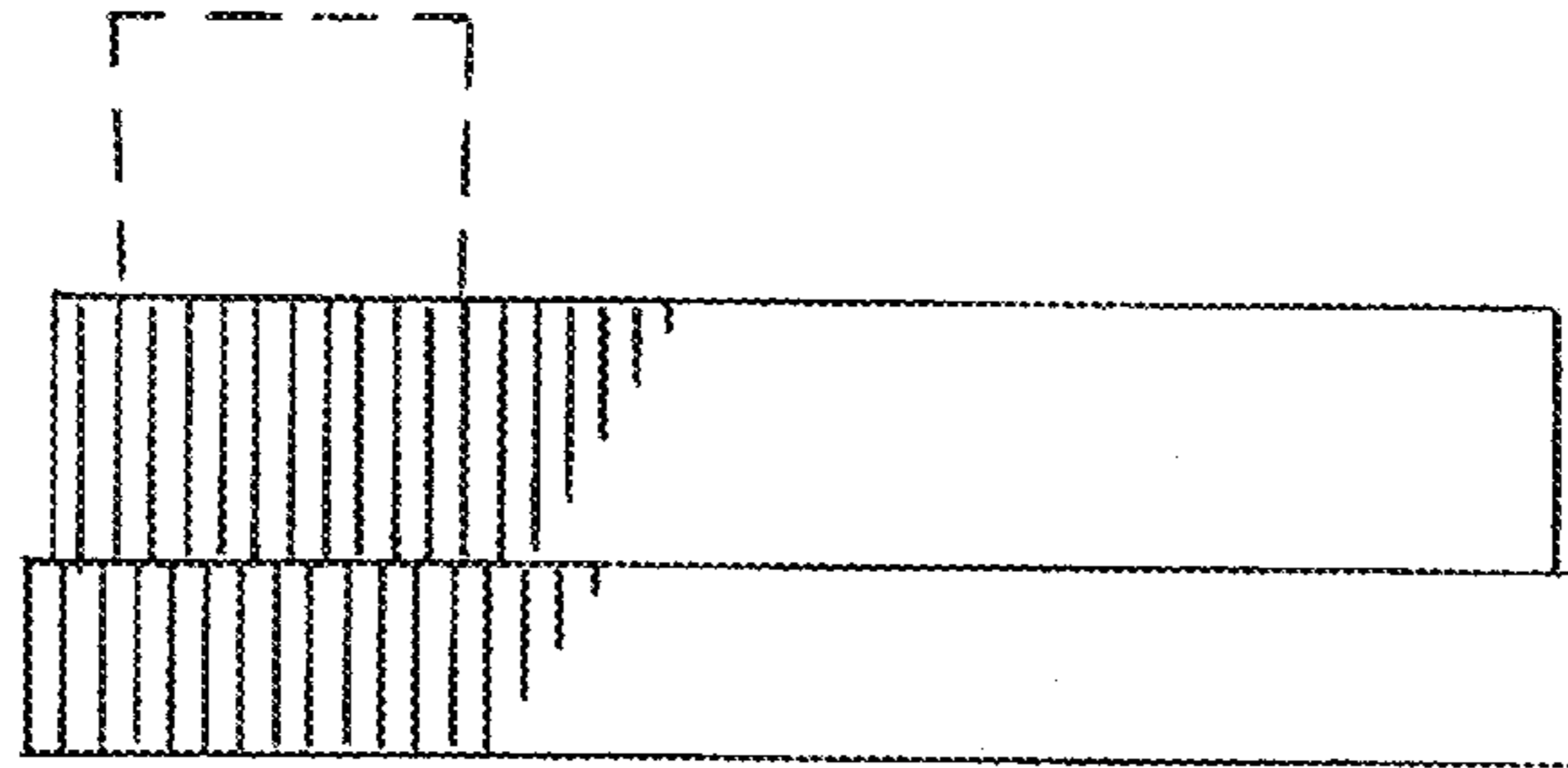


FIG. 11

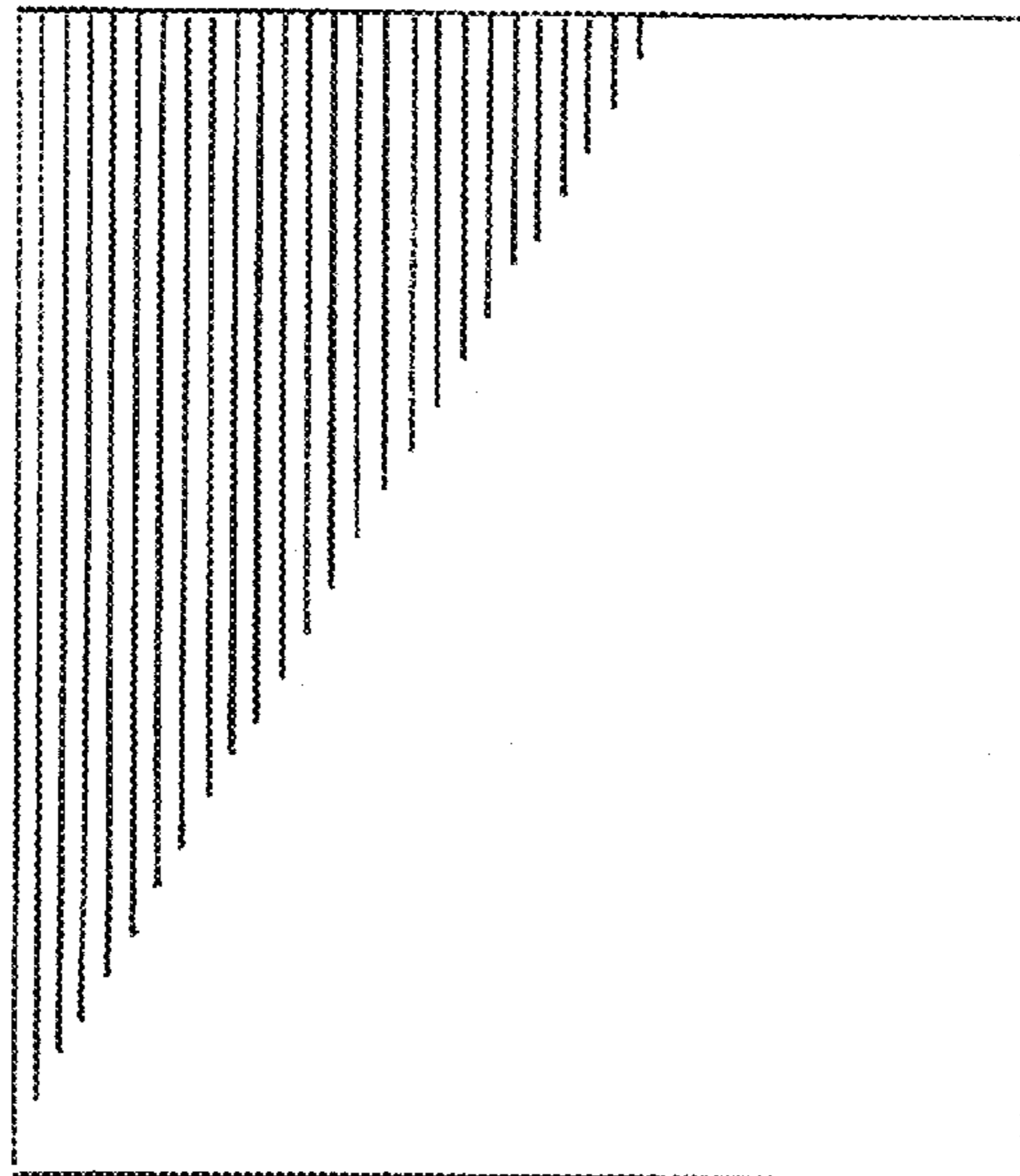


FIG. 12