

US00D769673S

(12) **United States Design Patent** (10) **Patent No.:** **US D769,673 S**
Shoemaker et al. (45) **Date of Patent:** **** Oct. 25, 2016**

- (54) **MICROWAVE**
- (71) Applicant: **Sears Brands, L.L.C.**, Hoffman Estates, IL (US)
- (72) Inventors: **Anthony Shoemaker**, Bartlett, IL (US); **Jason Silverstein**, Hoffman Estates, IL (US); **Daniel Green**, Charlotte, NC (US); **Roddy Burgess**, Charlotte, NC (US)
- (73) Assignee: **SEARS BRANDS, L.L.C.**, Hoffman Estates, IL (US)
- (**) Term: **15 Years**
- (21) Appl. No.: **29/528,367**
- (22) Filed: **May 28, 2015**
- (51) **LOC (10) Cl.** **07-02**
- (52) **U.S. Cl.**
USPC **D7/405**
- (58) **Field of Classification Search**
USPC D7/402, 403-408, 351, 350.4, D7/350.1-350.3, 323, 339-340, 346-349
CPC .. H05B 6/763; H05B 6/6414; H05B 6/6408; Y02B 40/14; Y02B 40/143; Y02B 40/146; F24C 15/02; F24C 1/00; F24C 14/00; F24C 3/00; F24C 5/00; F24C 7/00
See application file for complete search history.

- D550,024 S * 9/2007 Jeon D7/350.1
D606,359 S * 12/2009 Lee D7/351
D704,498 S * 5/2014 Kim D7/351
2014/0070685 A1 * 3/2014 Yantis F24C 15/02
312/319.2
2014/0251301 A1 * 9/2014 Chilton F24C 15/02
126/198

* cited by examiner

Primary Examiner — Sheryl Lane
Assistant Examiner — Nicole Shiflet

(74) *Attorney, Agent, or Firm* — McAndrews, Held & Malloy, Ltd.

(57) **CLAIM**
The ornamental design for a microwave, as shown and described.

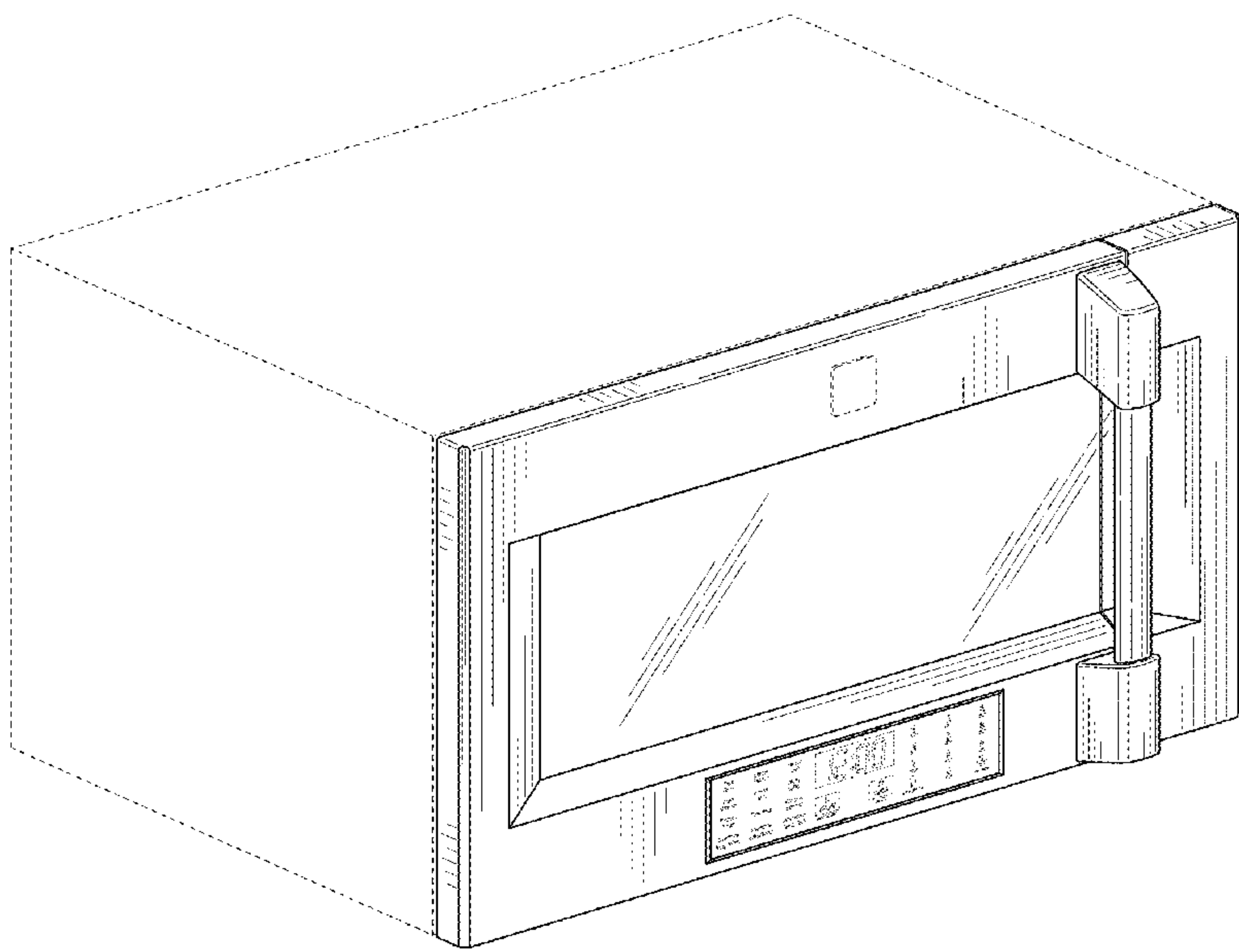
DESCRIPTION

FIG. 1 is a top left front perspective view of a microwave showing our new design;
FIG. 2 is a front elevation view thereof;
FIG. 3 is a right-side elevation view thereof;
FIG. 4 is a left-side elevation view thereof;
FIG. 5 is a top plan view thereof;
FIG. 6 is a bottom plan view thereof;
FIG. 7 is an enlarged top left front perspective view of a portion of FIG. 1; and,
FIG. 8 is an enlarged front elevation view of a portion of FIG. 2.

The broken lines in the drawings showing portions of the microwave and the graphical user interface on the front display screen are included for the purpose of illustrating environmental structure and form no part of the claimed design.

1 Claim, 6 Drawing Sheets

- (56) **References Cited**
- U.S. PATENT DOCUMENTS
- D295,488 S * 5/1988 Kido D7/351
D373,925 S * 9/1996 Kim D7/351
D463,199 S * 9/2002 Choi D7/351
D495,556 S * 9/2004 Milrud D7/405
D532,245 S * 11/2006 Shin D7/351



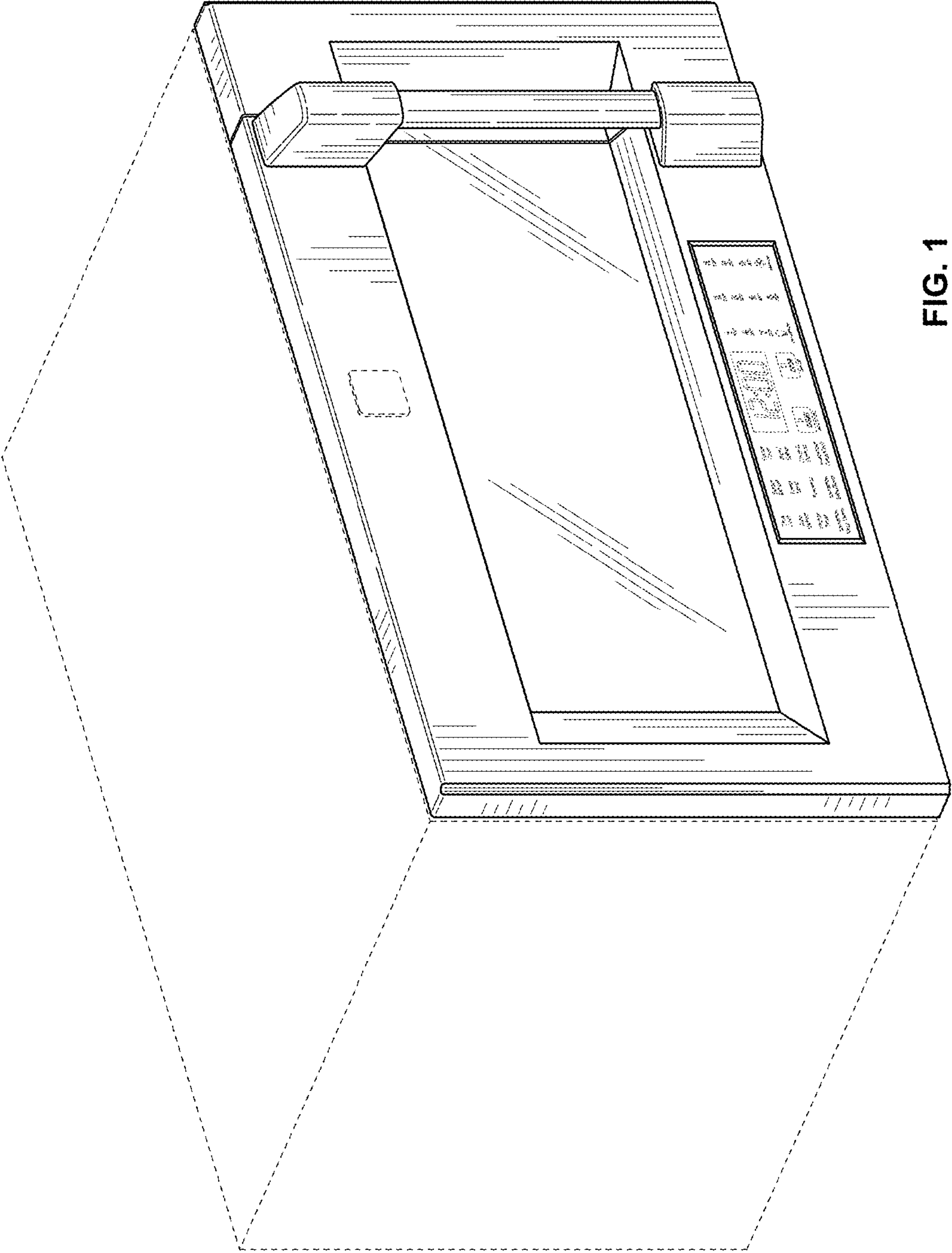


FIG. 1

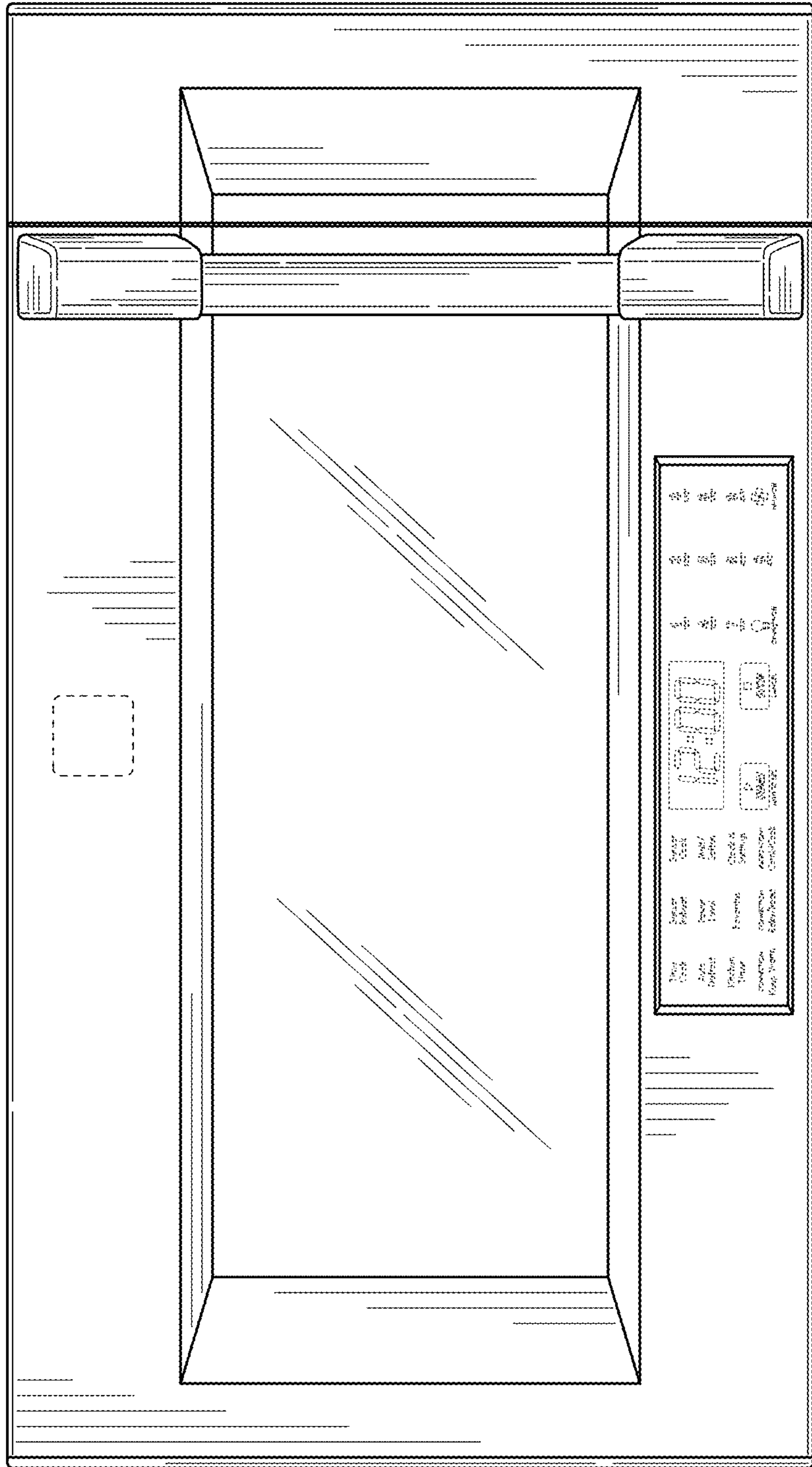


FIG. 2

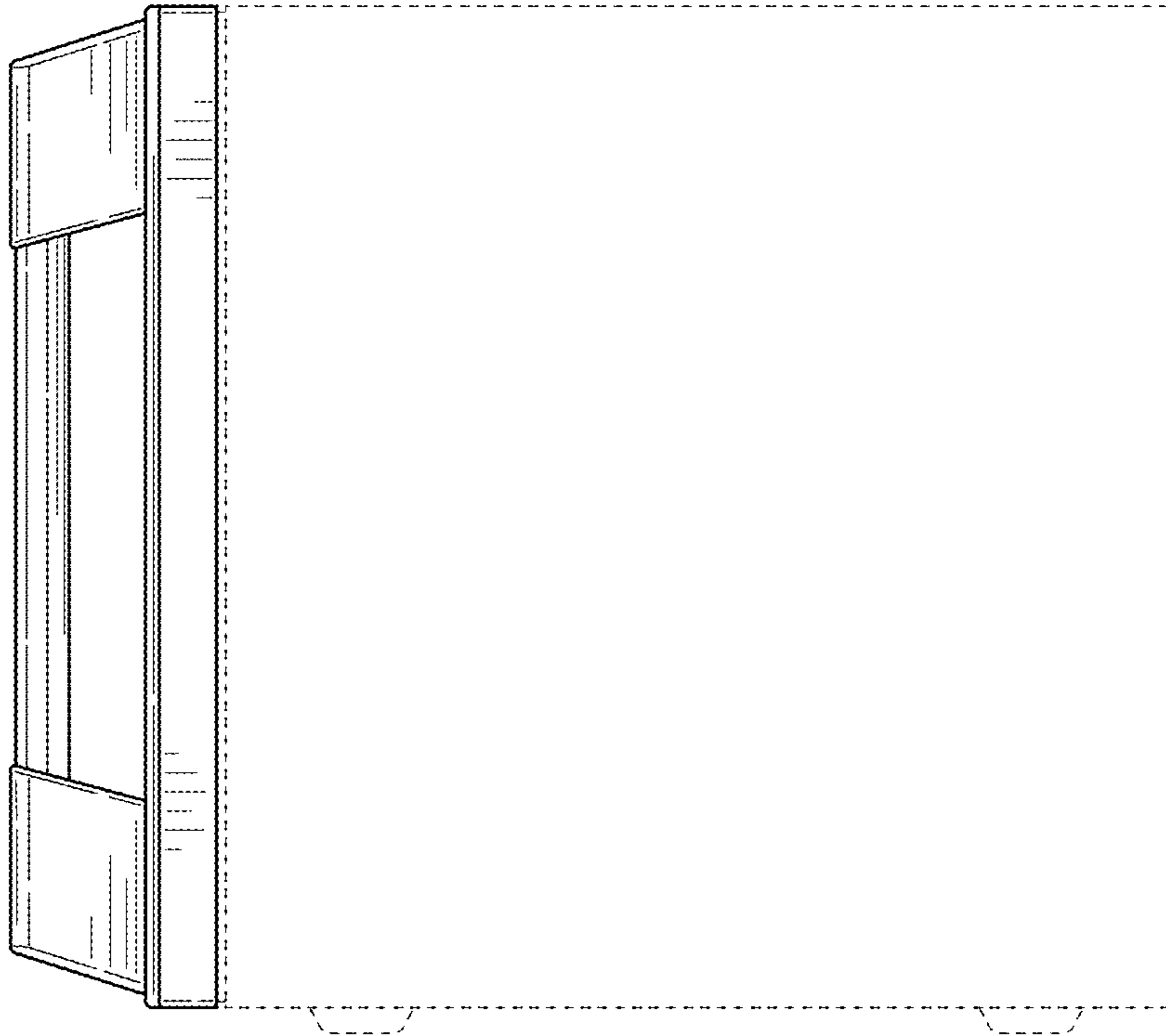


FIG. 3

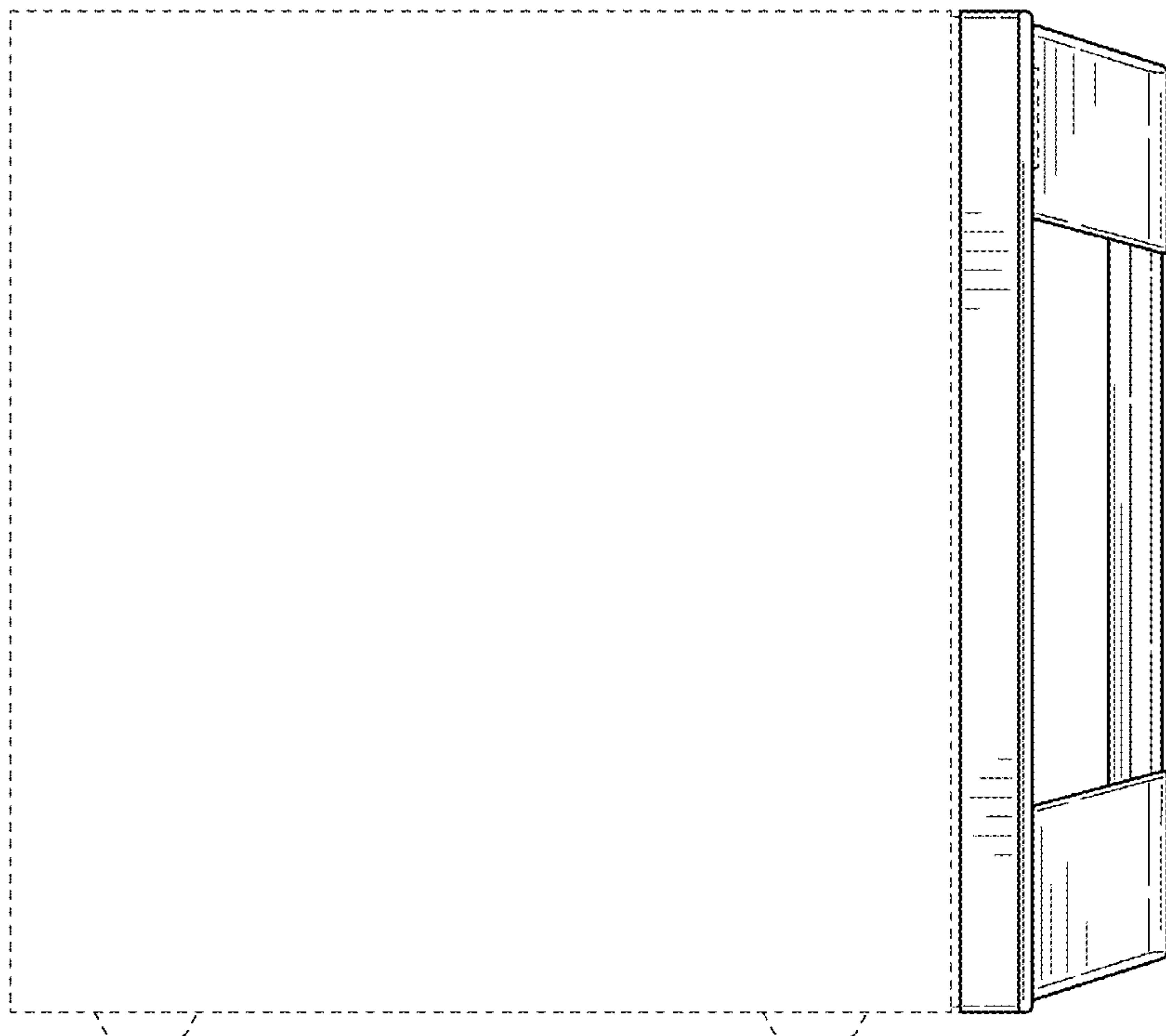


FIG. 4

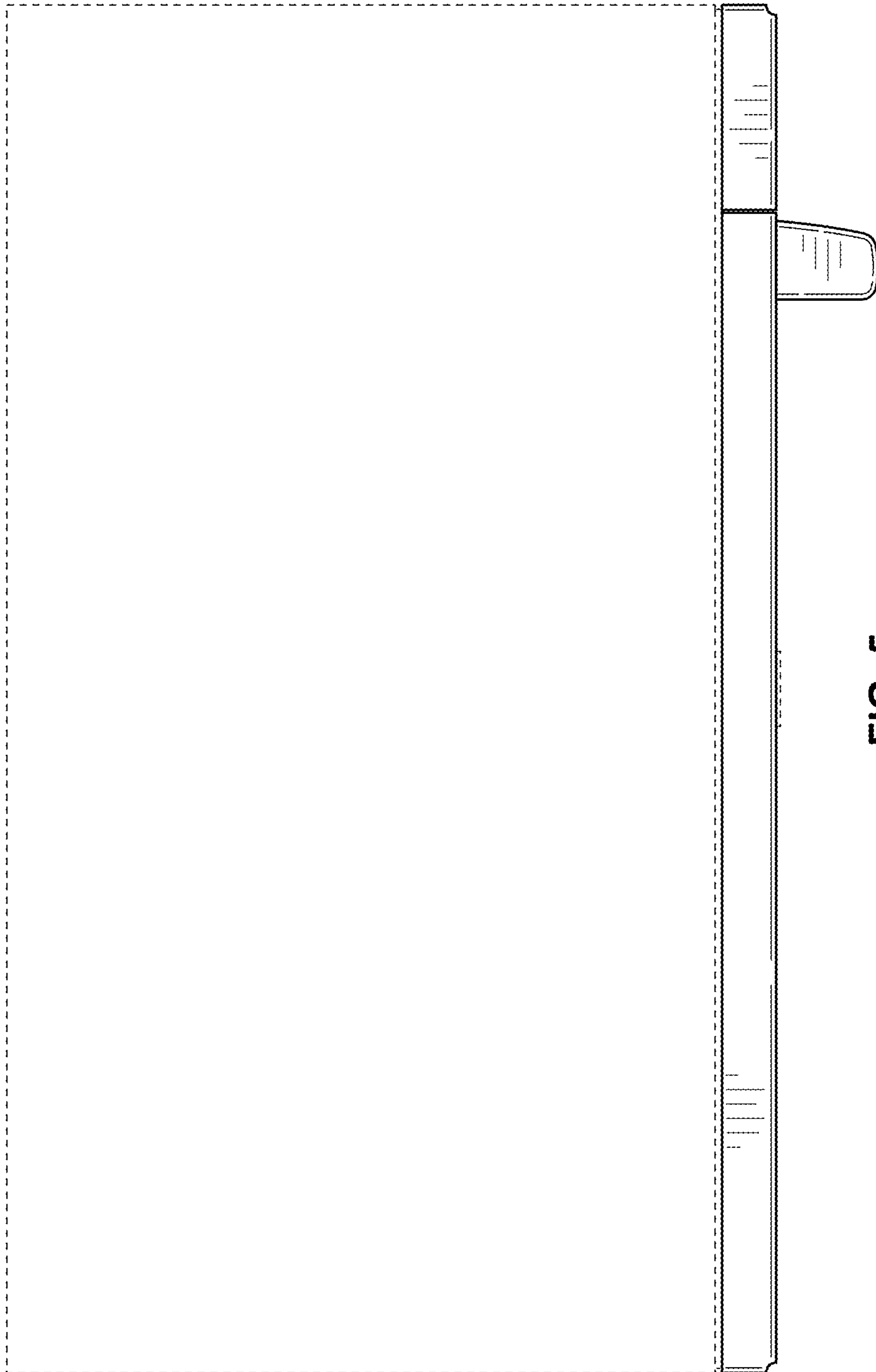


FIG. 5

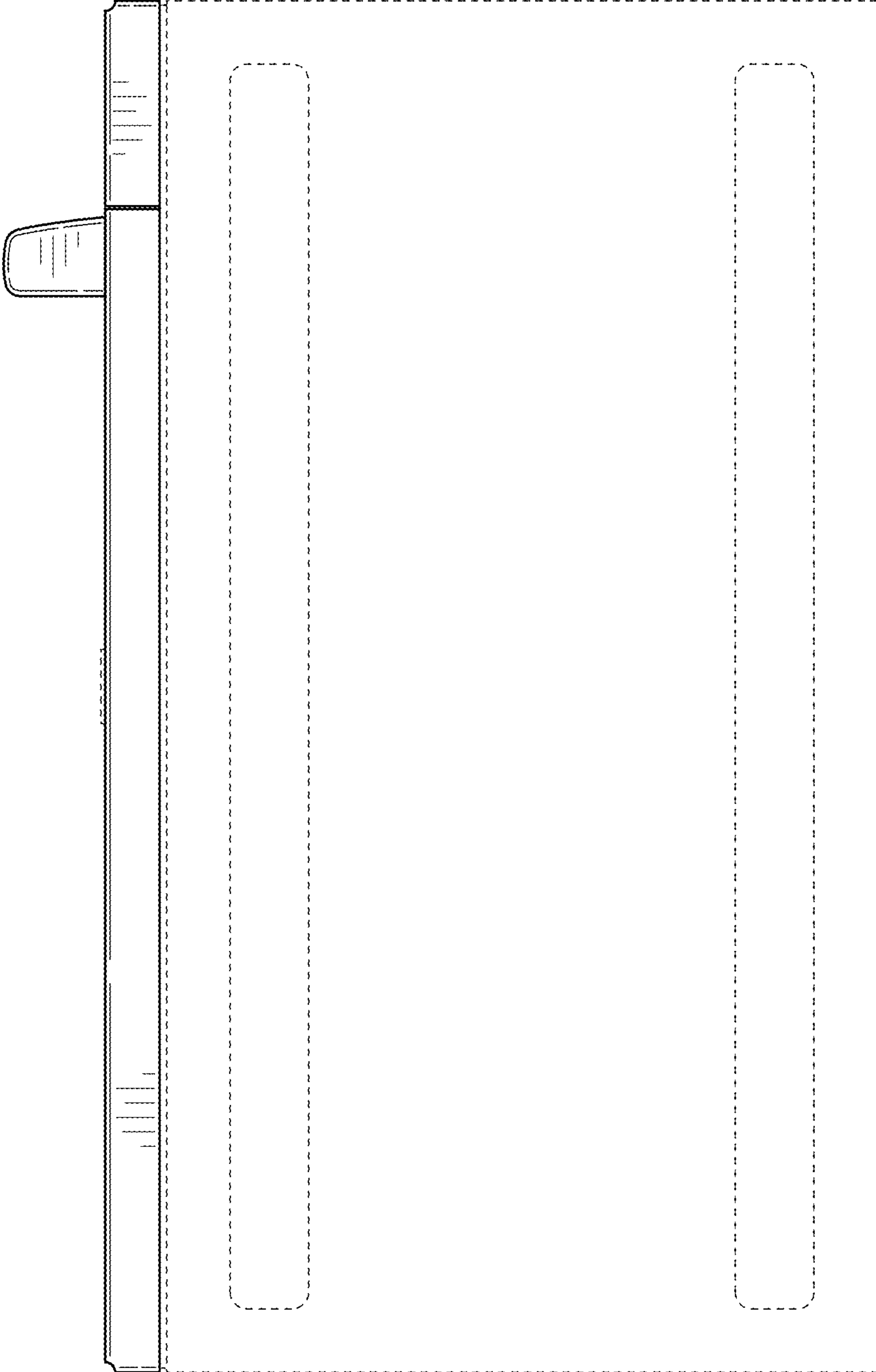


FIG. 6

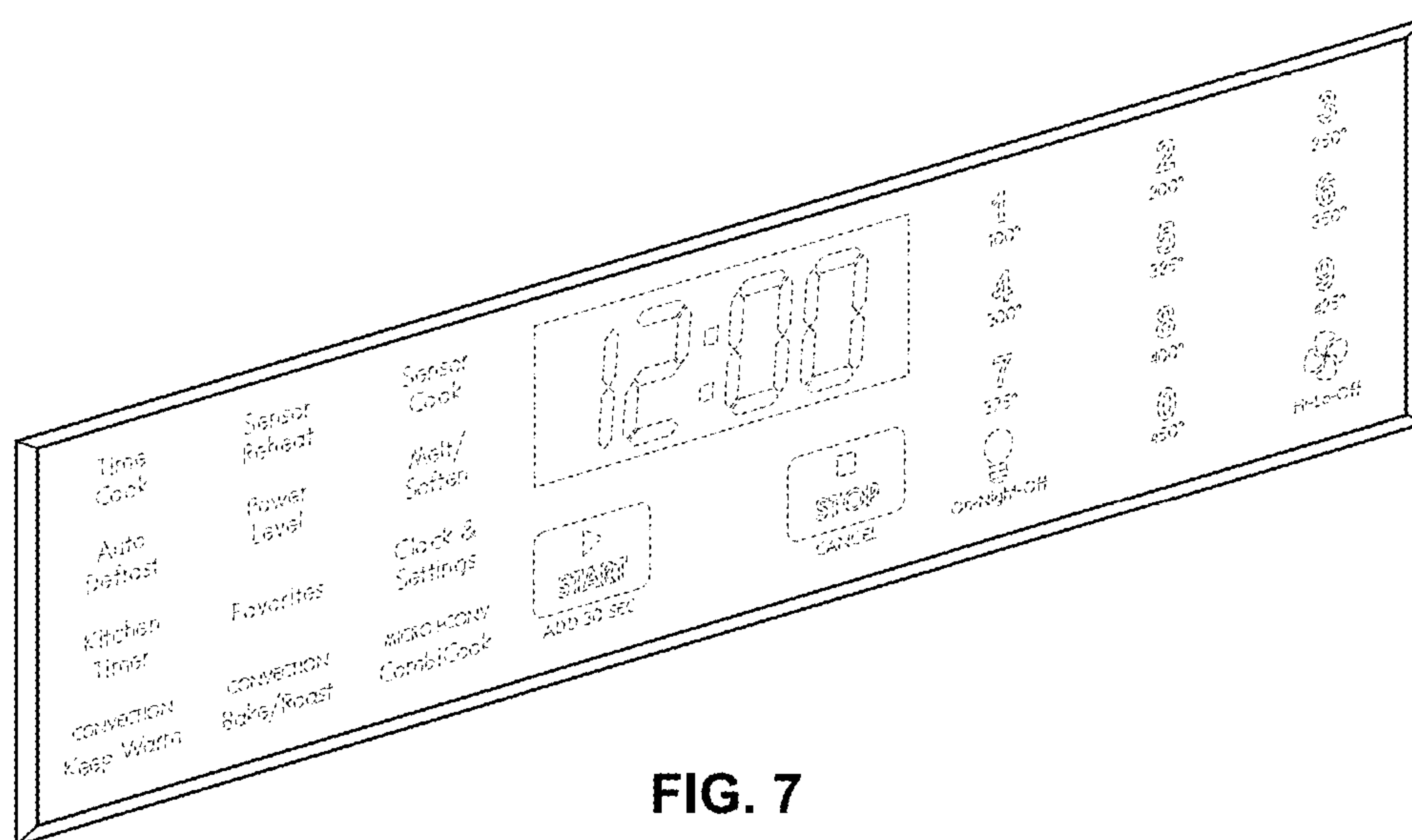


FIG. 7

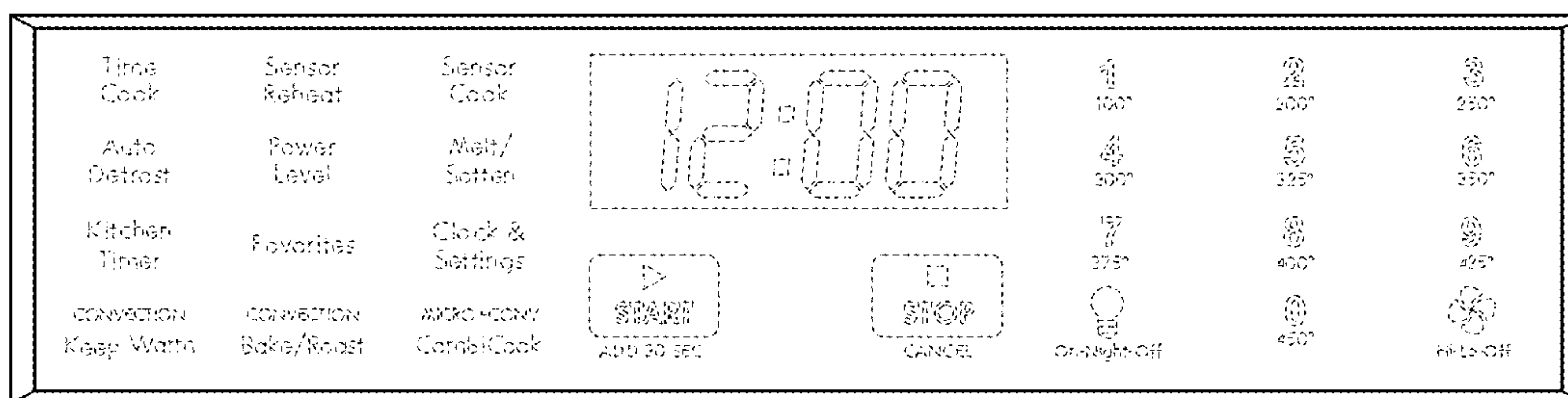


FIG. 8