

US00D769672S

(12) **United States Design Patent**
Gallagher

(10) **Patent No.:** **US D769,672 S**

(45) **Date of Patent:** **** Oct. 25, 2016**

- (54) **WATER BOTTLE DISPENSER BASE AND PIERCING TOOL HOLDER**
- (71) Applicant: **Kenneth John Gallagher**, Las Vegas, NV (US)
- (72) Inventor: **Kenneth John Gallagher**, Las Vegas, NV (US)
- (**) Term: **15 Years**
- (21) Appl. No.: **29/560,234**
- (22) Filed: **Apr. 4, 2016**
- (51) **LOC (10) Cl.** **07-99**
- (52) **U.S. Cl.**
USPC **D7/397; D7/622; D7/400**
- (58) **Field of Classification Search**
USPC D7/619.1, 624.1, 704, 397, 622, 620, D7/602, 399, 400; 224/551; 220/743, 741; 215/396, 395; D9/443, 455, 434; D6/556
CPC A47G 23/0266; A47G 23/0258; A47G 23/0241
See application file for complete search history.

| | | | |
|---------------|---------|--------------------|-------------------------|
| 3,979,011 A * | 9/1976 | Schleicher | A47G 23/0266 220/287 |
| 4,071,175 A * | 1/1978 | Wagnon | B62J 11/00 224/414 |
| D255,437 S * | 6/1980 | Allgood, II | D11/133 |
| D279,836 S * | 7/1985 | Tanaka | D12/420 |
| D283,578 S * | 4/1986 | Kawaguchi | D7/622 |
| D289,726 S * | 5/1987 | Greutert | D7/310 |
| D302,527 S * | 8/1989 | Spies | D7/622 |
| D307,224 S * | 4/1990 | Mizukami | D7/619.1 |
| D361,461 S * | 8/1995 | Linzenbold | D6/556 |
| D371,279 S * | 7/1996 | Marguerie | D7/620 |
| D395,238 S * | 6/1998 | Freitas | D9/455 |
| D395,825 S * | 7/1998 | Freitas | D9/455 |
| D440,458 S * | 4/2001 | Ohu | D7/300 |
| D593,859 S * | 6/2009 | Barnum | D7/622 |
| D663,579 S * | 7/2012 | Yang | D7/300 |
| D690,992 S * | 10/2013 | Ball | D7/399 |
| D760,618 S * | 7/2016 | Yatsugi-Kang | D11/43 |

* cited by examiner

Primary Examiner — Marianne Pandozzi

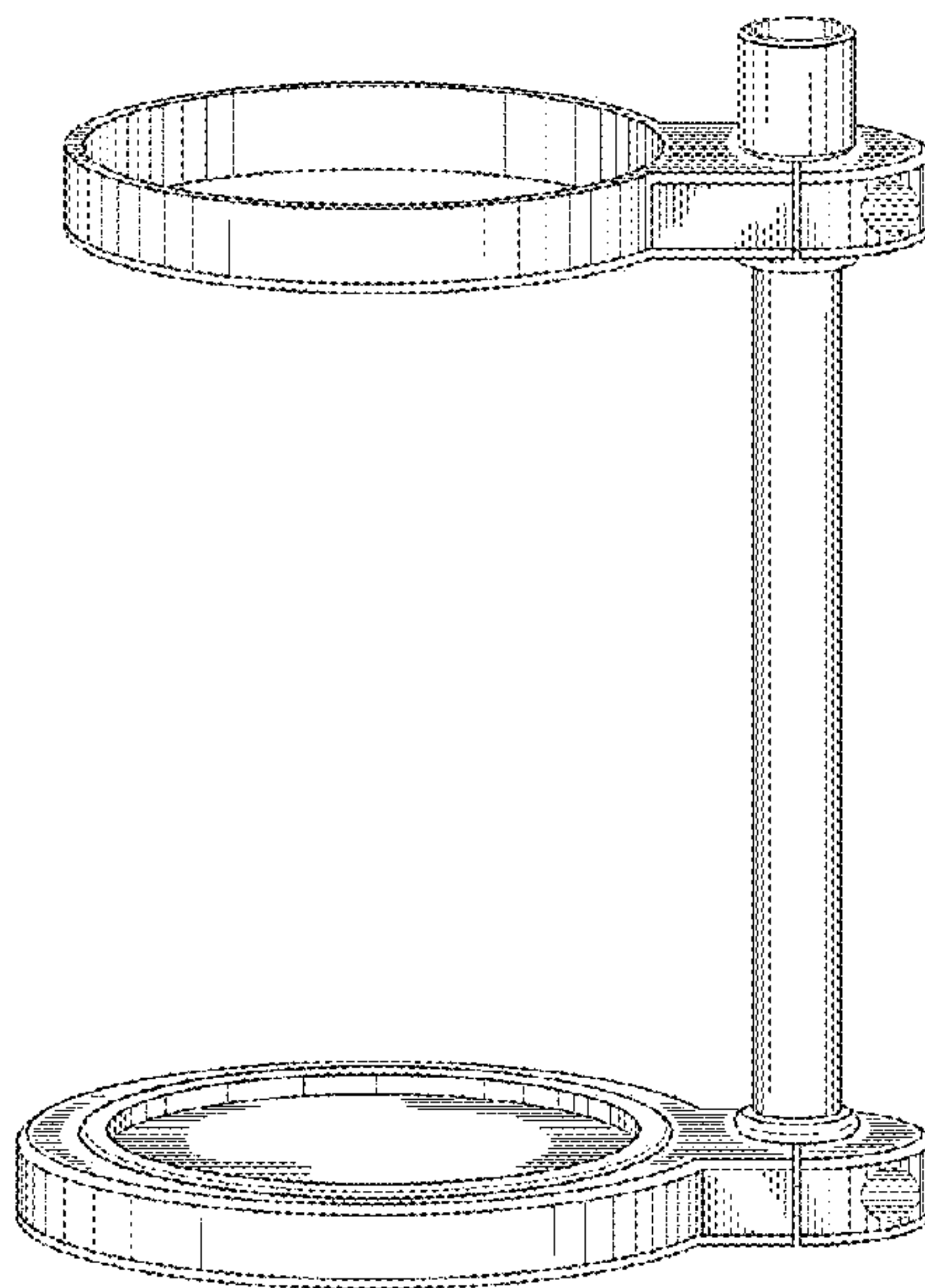
(57) **CLAIM**
The ornamental design for a water bottle dispenser base and piercing tool holder, as shown.

DESCRIPTION

- FIG. 1—is a left side perspective view of a water bottle dispenser base and piercing tool holder showing my new design;
- FIG. 2—is a right side perspective view thereof;
- FIG. 3—is a top plan view thereof;
- FIG. 4—is a bottom plan view thereof;
- FIG. 5—is a right side elevational view thereof;
- FIG. 6—is a front elevational view thereof;
- FIG. 7—is a rear elevational view thereof;
- FIG. 8—is a left side elevational view thereof; and,
- FIG. 9—is an exploded right side perspective view thereof.

1 Claim, 3 Drawing Sheets

- (56) **References Cited**
U.S. PATENT DOCUMENTS
1,474,077 A * 11/1923 Grundhand A47G 23/0266
15/246
D154,588 S * 7/1949 Collins 215/395
2,754,078 A * 7/1956 Koger B60N 3/102
248/222.11
2,780,081 A * 2/1957 Alexander A47J 31/44
141/341
2,981,562 A * 4/1961 Long A47G 23/0241
215/12.1
D211,818 S * 7/1968 Massey D7/622



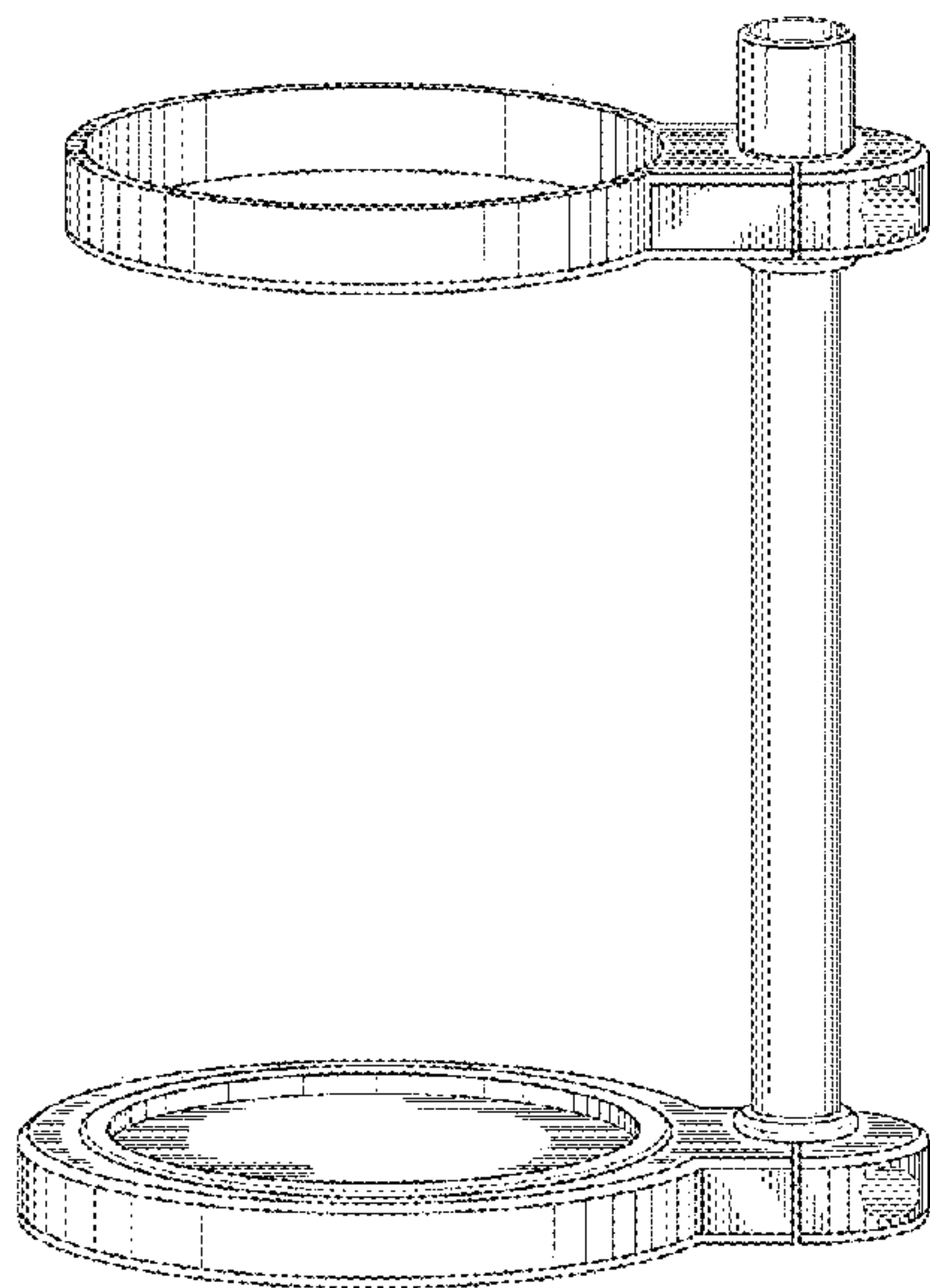


FIG. 1

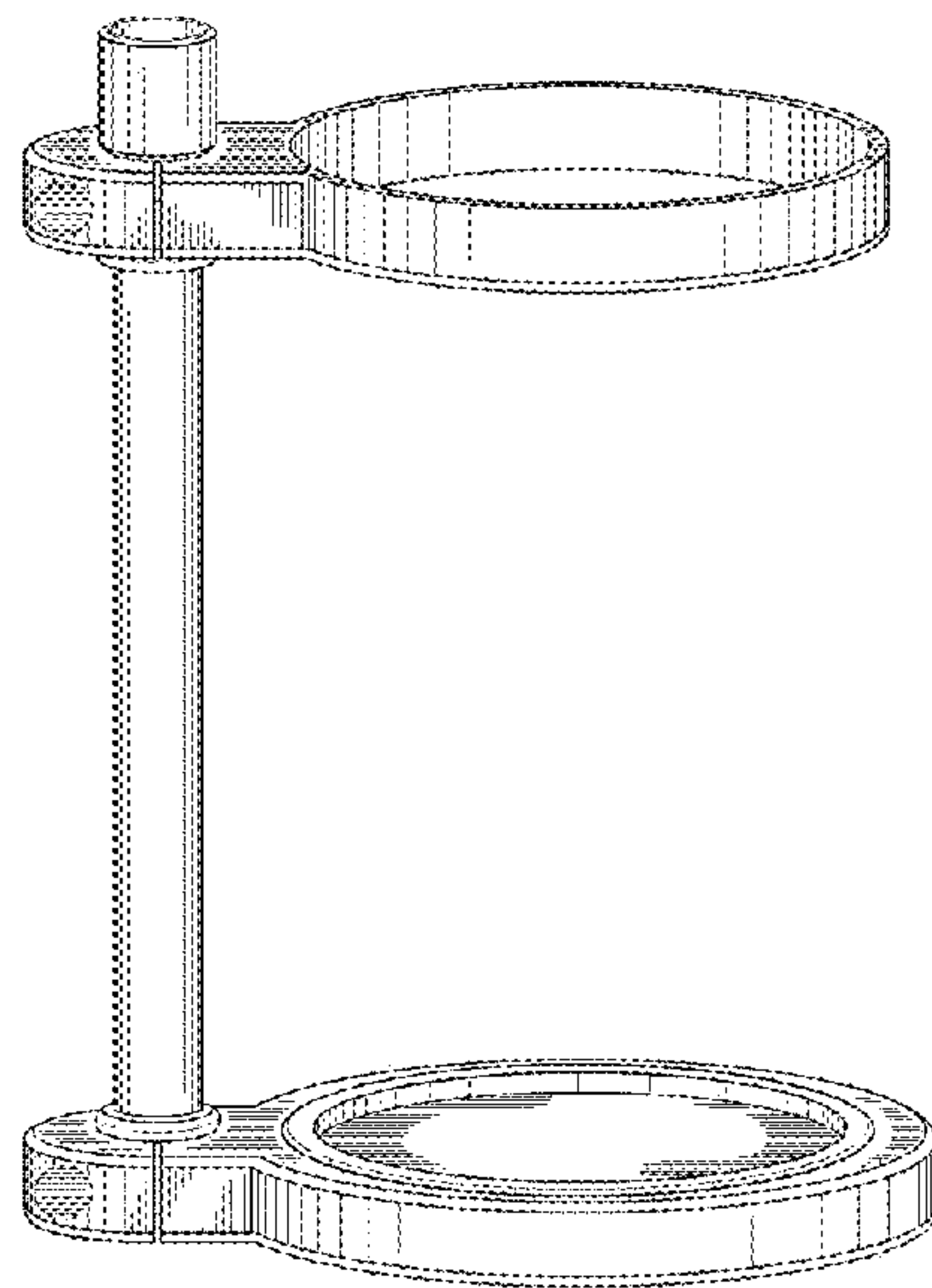


FIG. 2

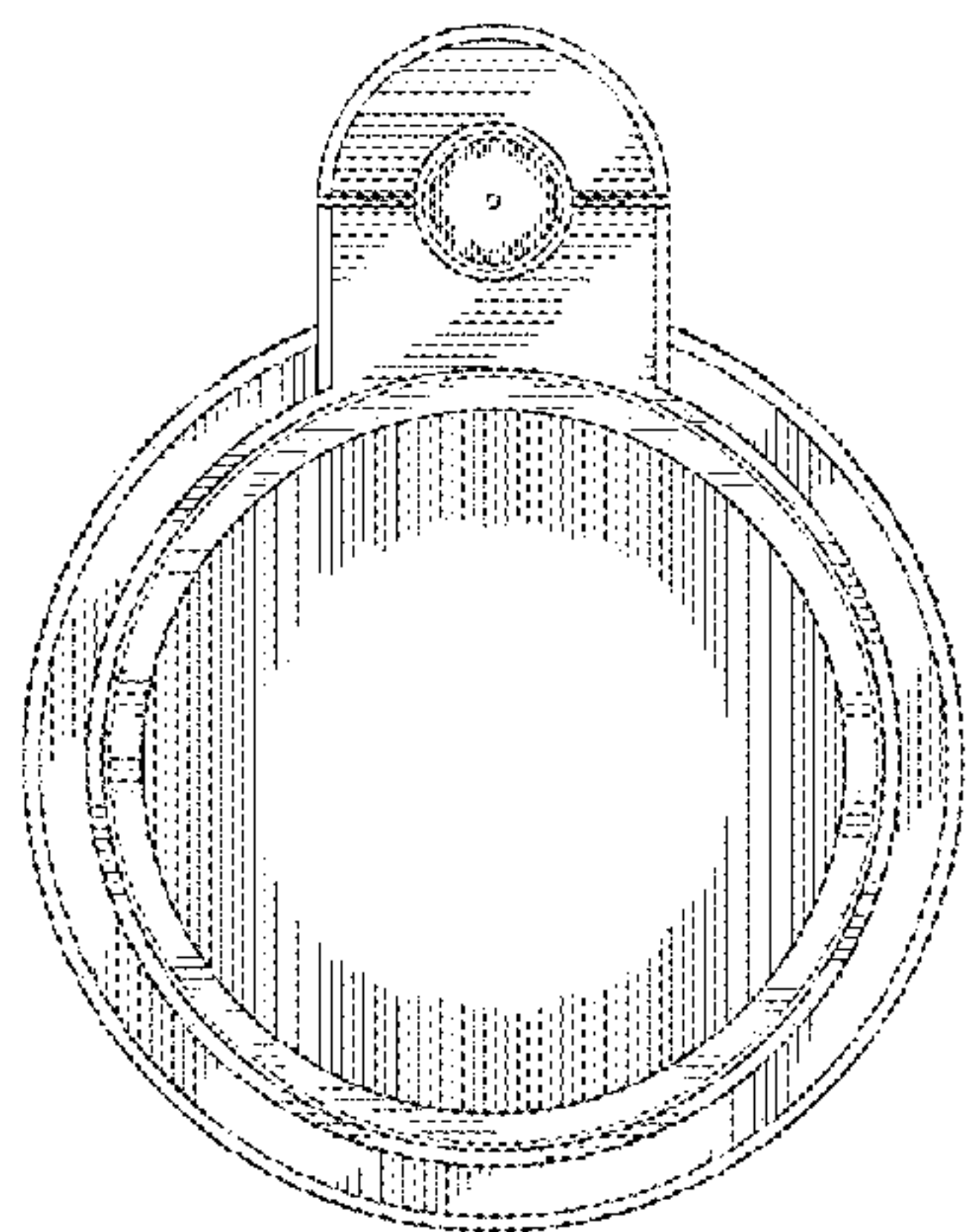


FIG. 3

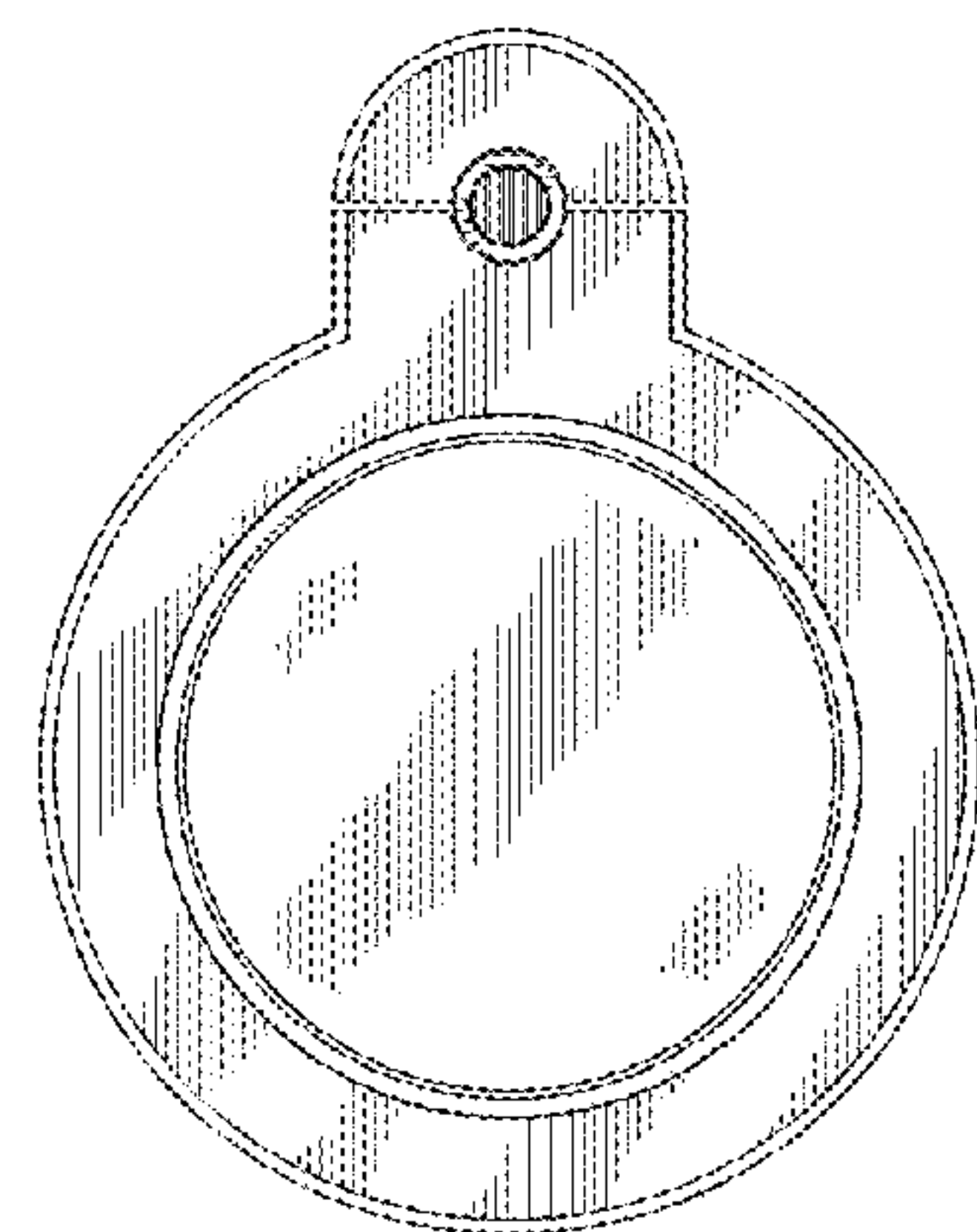


FIG. 4

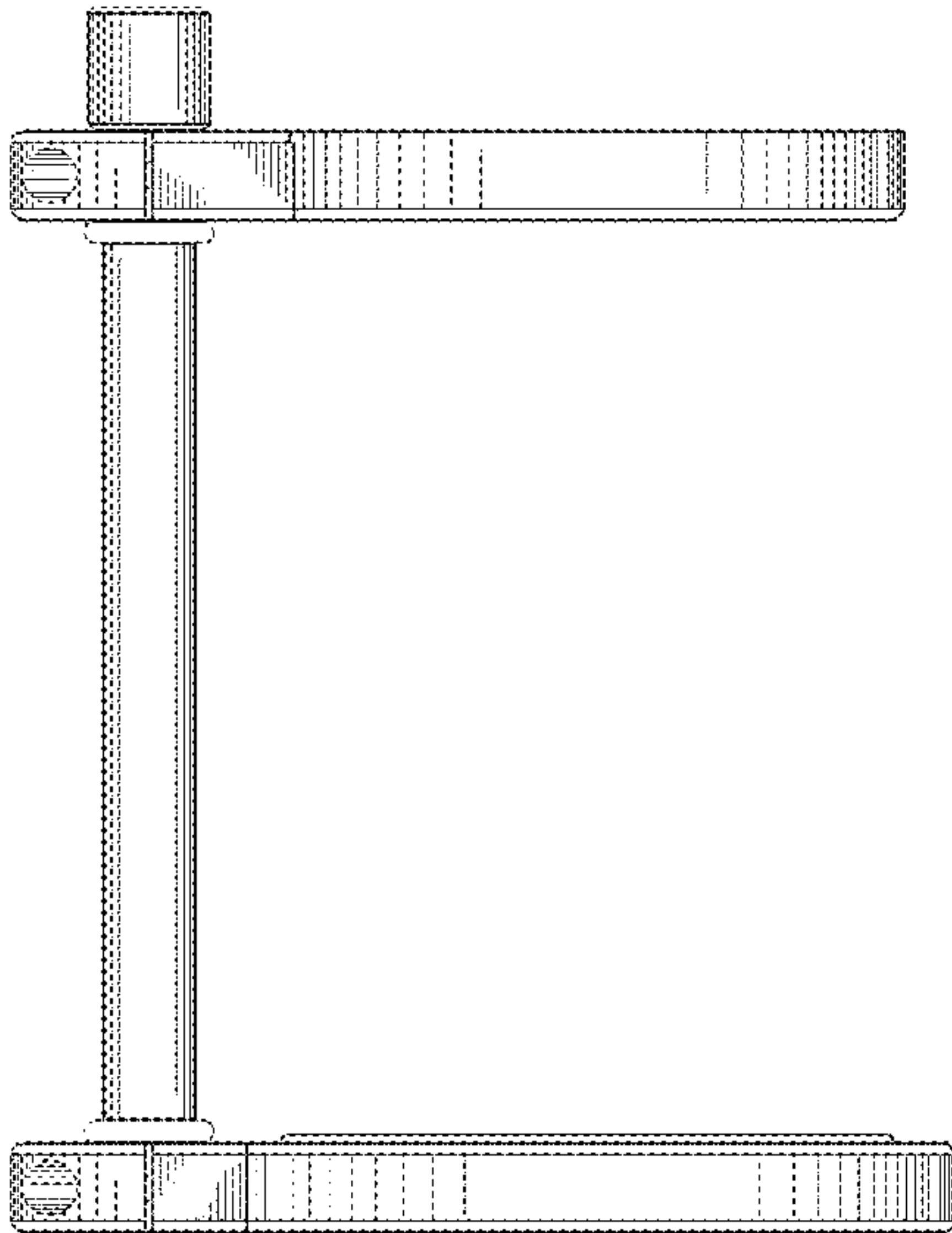


FIG. 5

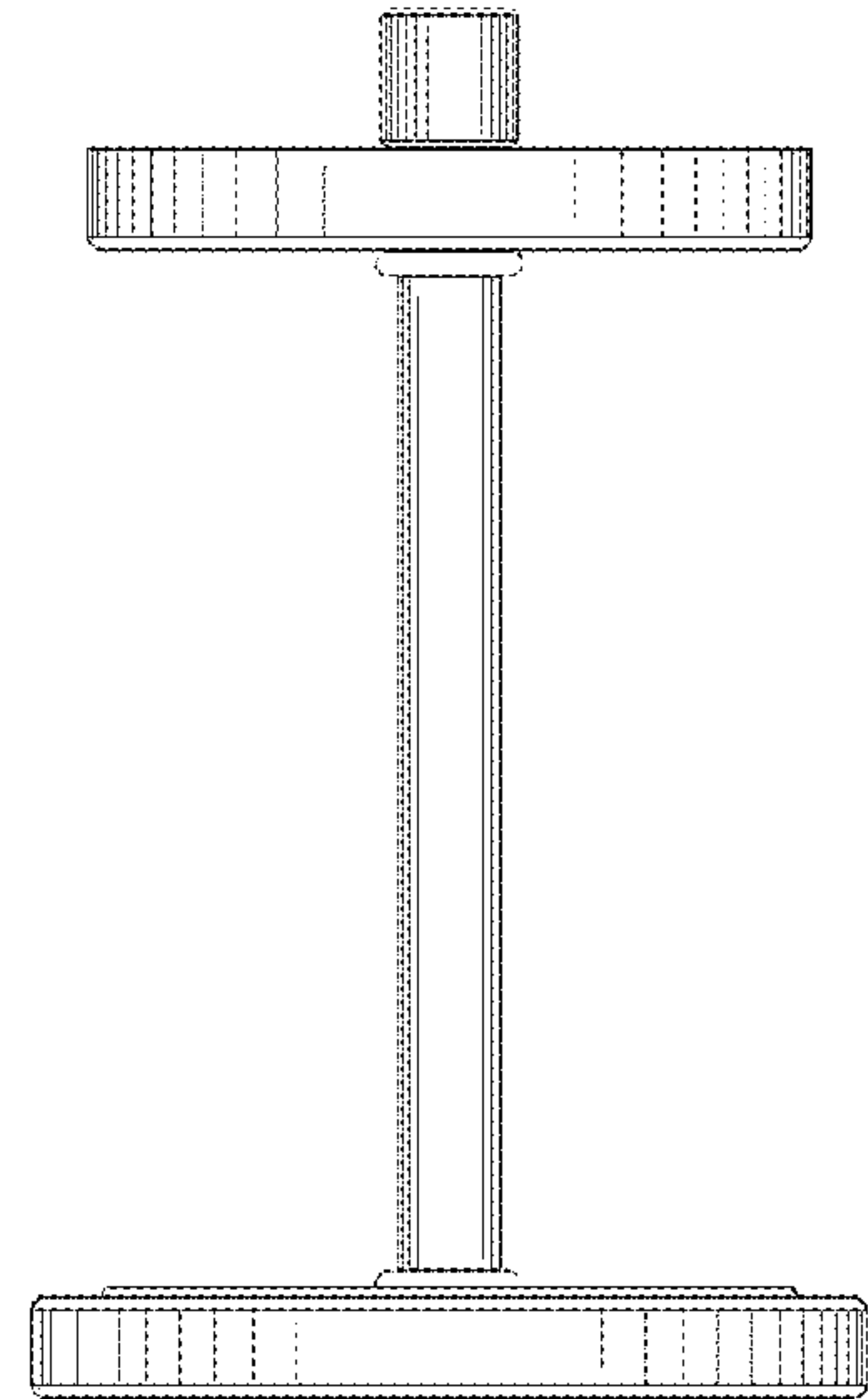


FIG. 6

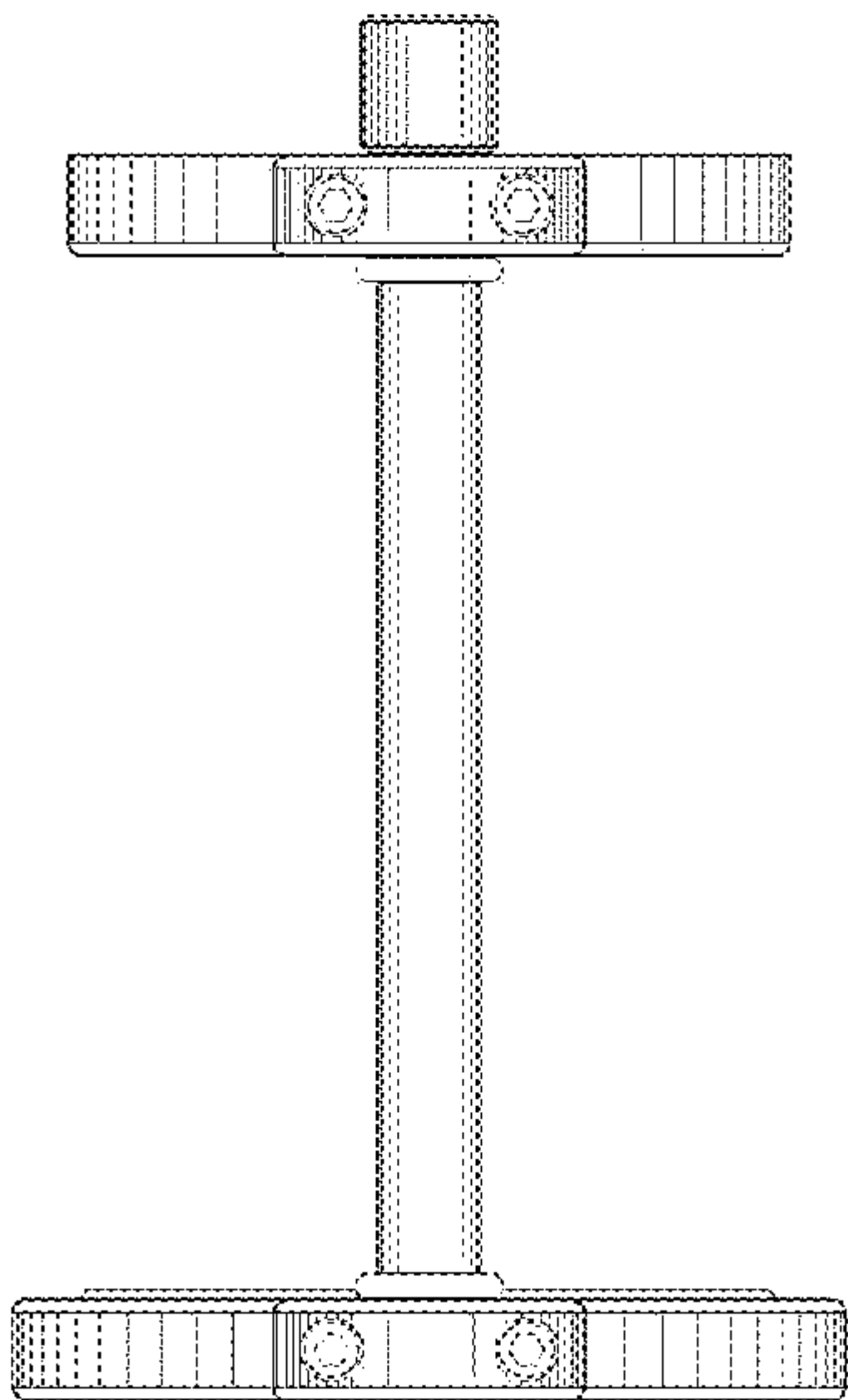


FIG. 7

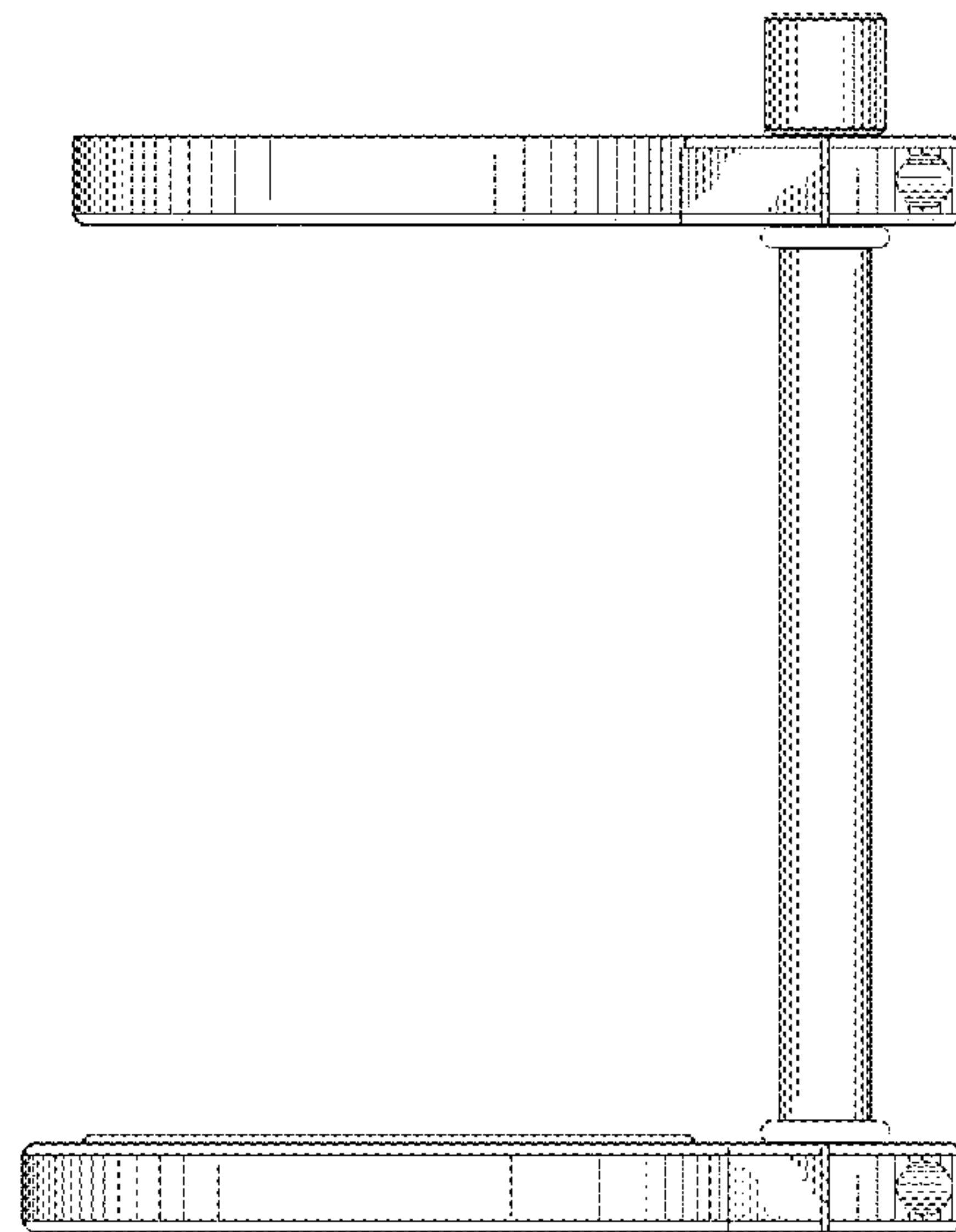


FIG. 8

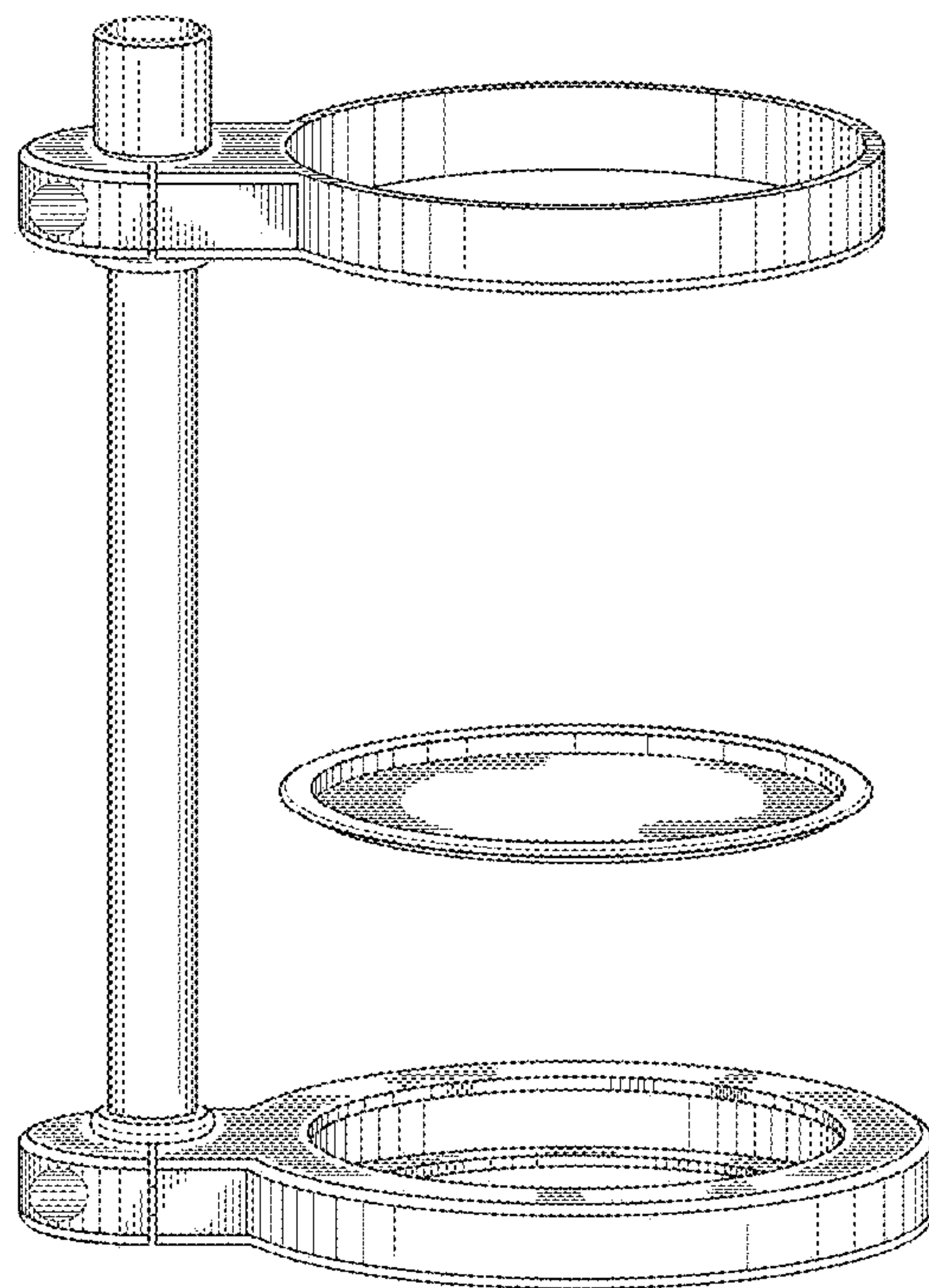


FIG. 9